

US00D406480S

United States Patent [19]
Lin

[11] **Patent Number: Des. 406,480**
[45] **Date of Patent: **Mar. 9, 1999**

[54] **COFFEE TABLE**

[75] Inventor: **Maya Ying Lin**, New York, N.Y.

[73] Assignee: **Knoll, Inc.**, East Greenville, Pa.

[**] Term: **14 Years**

[21] Appl. No.: **81,956**

[22] Filed: **Jan. 12, 1998**

[51] **LOC (6) Cl.** **06-03**

[52] **U.S. Cl.** **D6/486**; D6/349; D6/480;
D6/495; D6/601

[58] **Field of Search** D6/595, 596, 601,
D6/604, 605, 349, 480-489, 495; 5/630,
631, 636-639, 690, 652, 652.1, 653-655,
655.3, 655.9, 656; 108/150; 297/423.1,
423.39, 461, 462

[56] **References Cited**

U.S. PATENT DOCUMENTS

D. 333,232 2/1993 Bareiss D6/495

D. 355,077 2/1995 Tegner D6/334
D. 373,477 9/1996 Lewis D6/349
D. 382,372 8/1997 Castro D29/124
D. 384,211 9/1997 Wied et al. D6/351
D. 390,605 2/1998 Buhner D19/65

Primary Examiner—Janice E. Seeger
Attorney, Agent, or Firm—Buchanan Ingersoll, P.C.

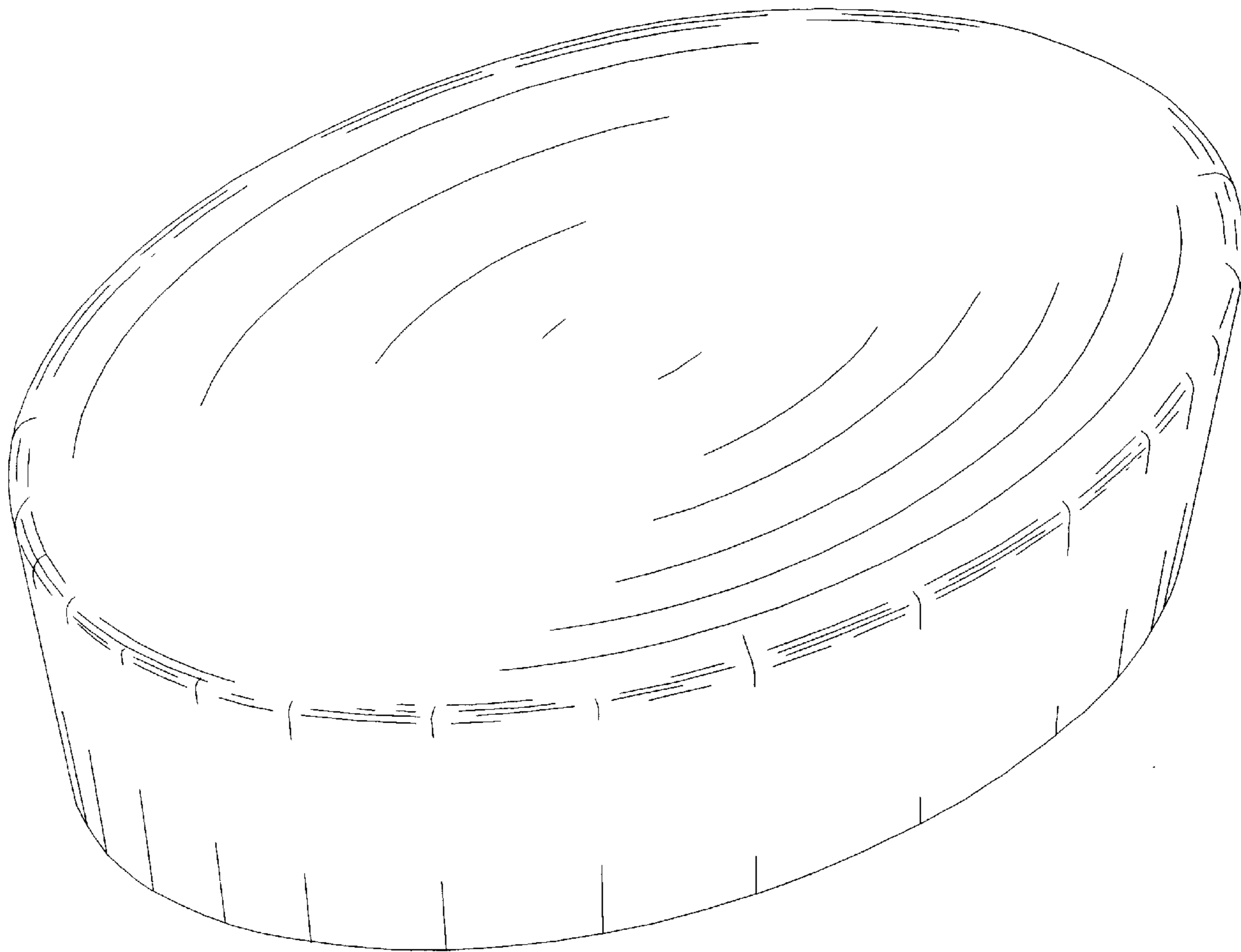
[57] **CLAIM**

The ornamental design for a coffee table, as shown and described.

DESCRIPTION

FIG. 1 is a perspective view of a coffee table showing my new design;
FIG. 2 is a front elevational view thereof, the rear view being a mirror image thereof;
FIG. 3 is a top plan view thereof;
FIG. 4 is a bottom plan view thereof; and,
FIG. 5 is a right side elevational view thereof, the left side being a mirror image thereof.

1 Claim, 3 Drawing Sheets



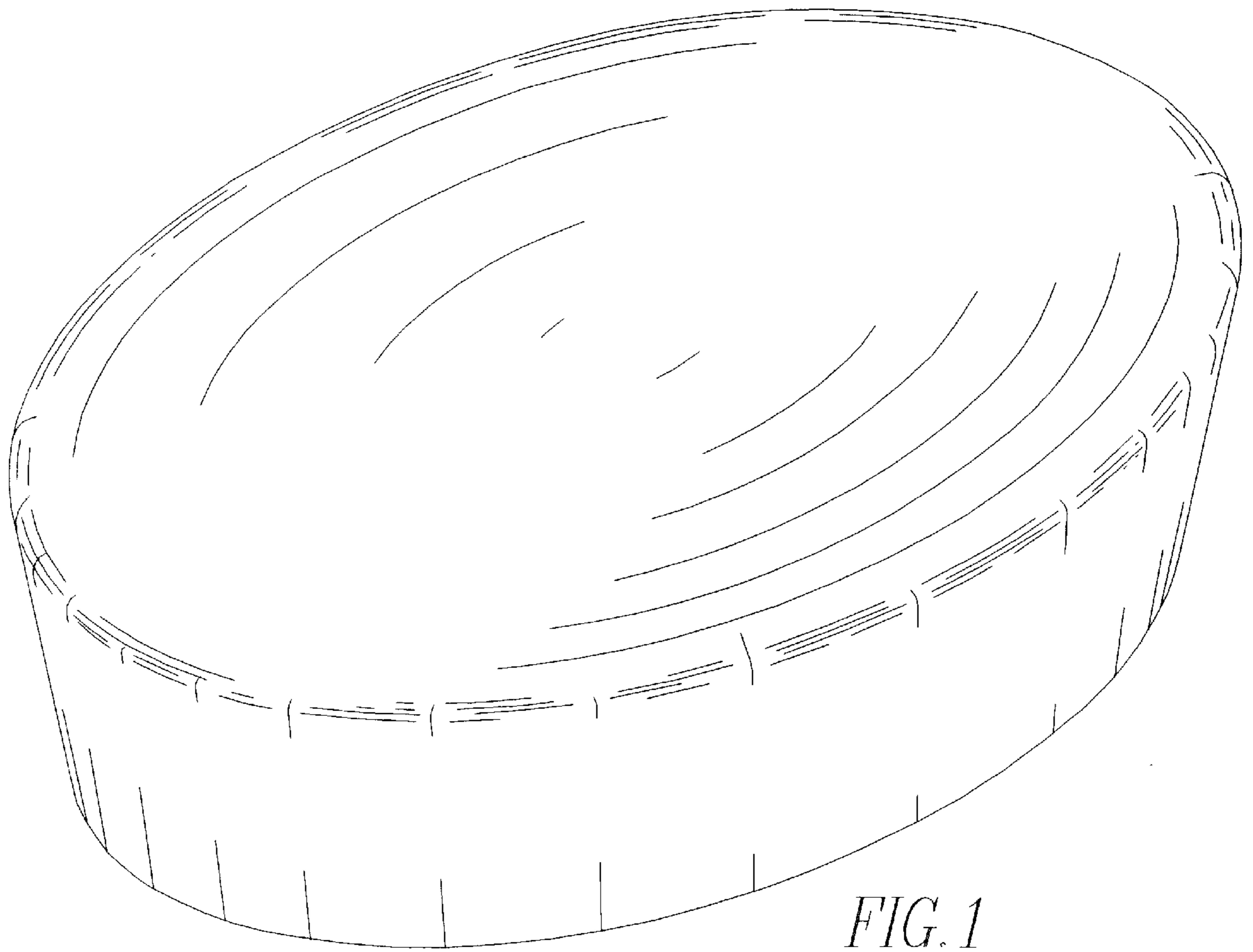


FIG. 1

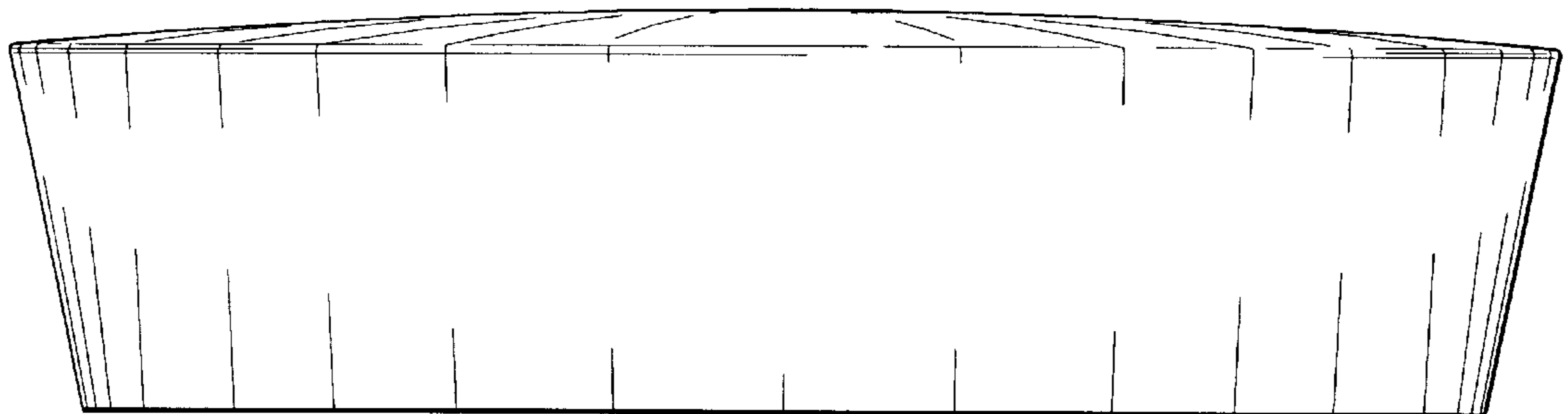


FIG. 2

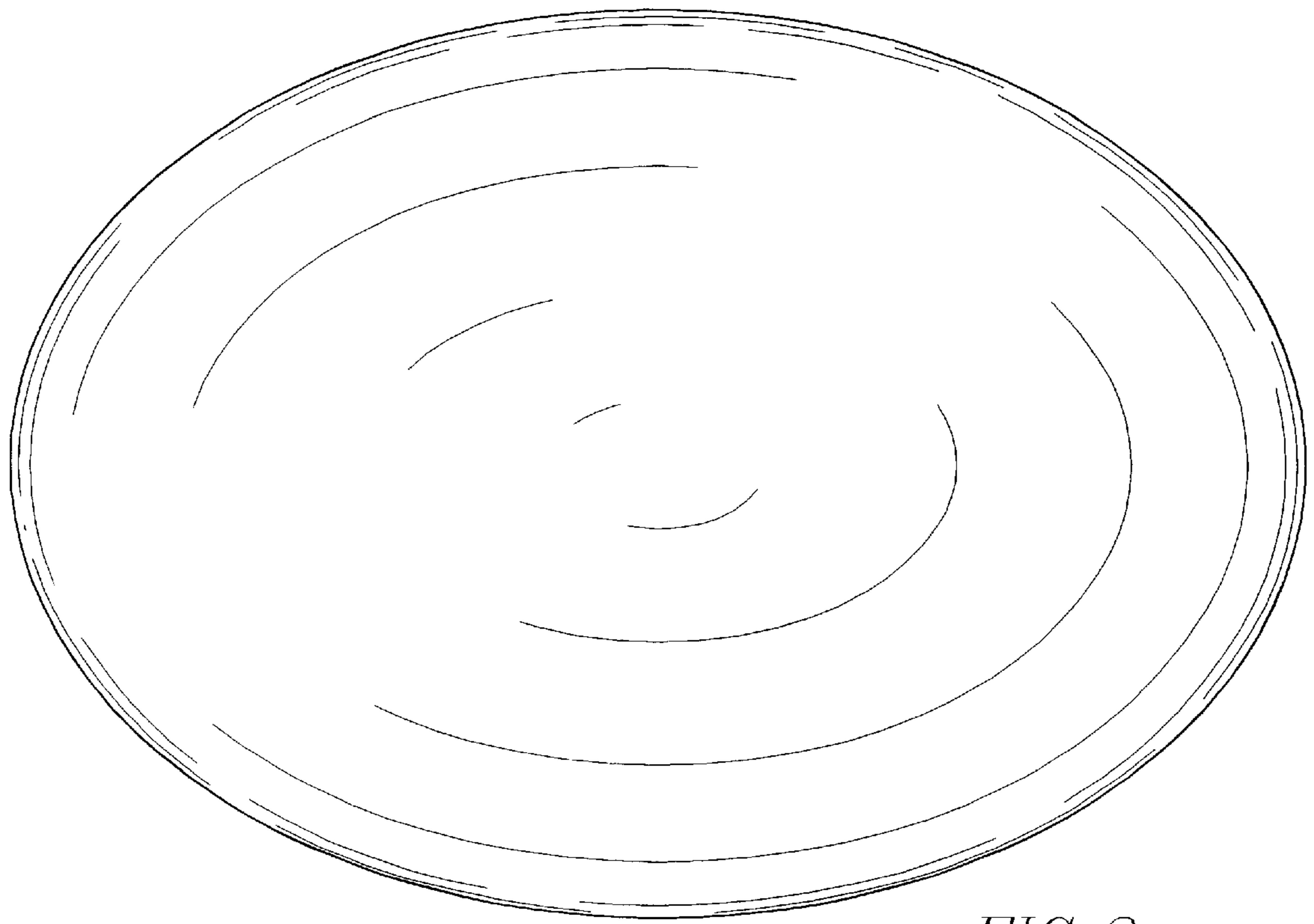


FIG. 3

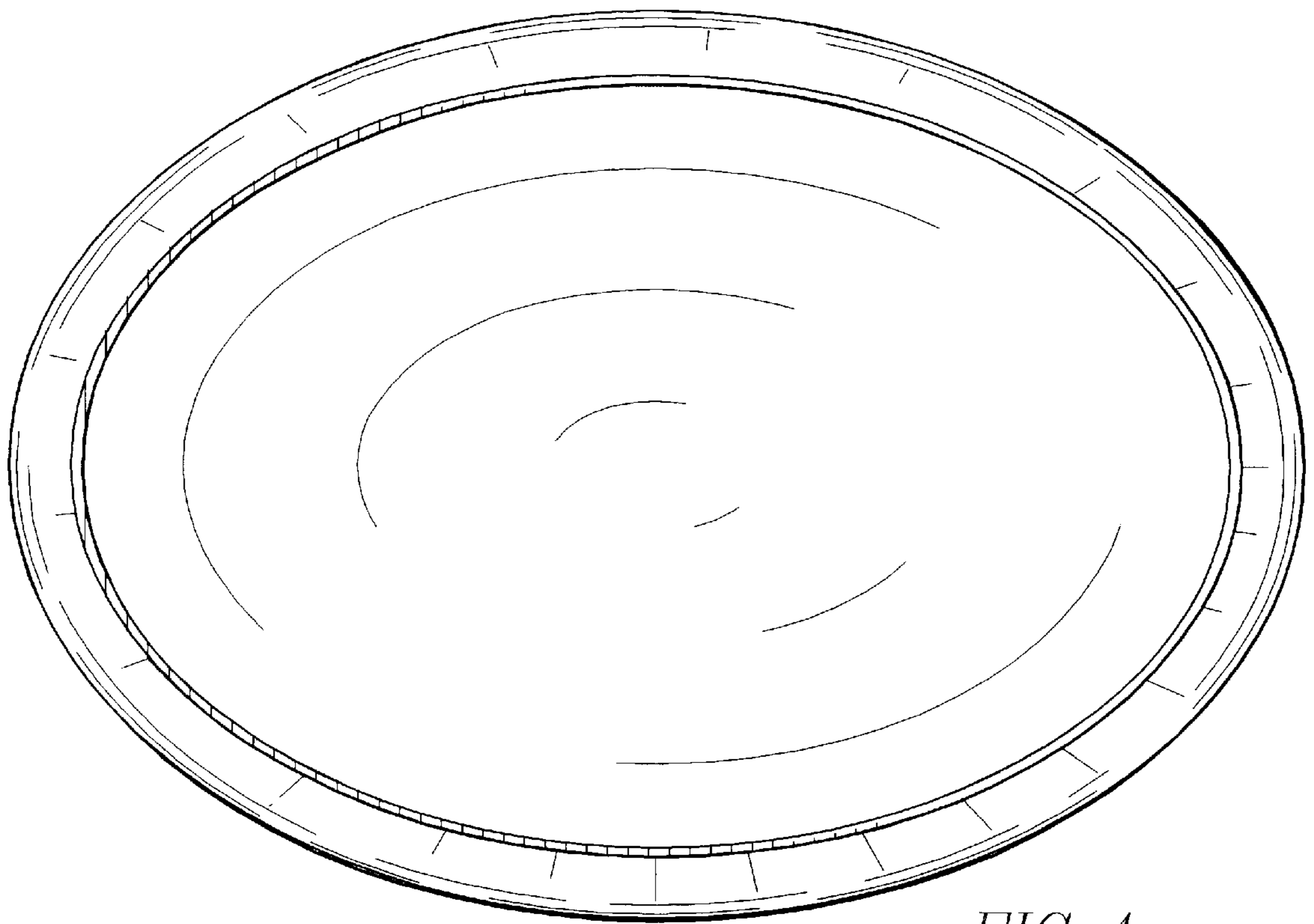


FIG. 4

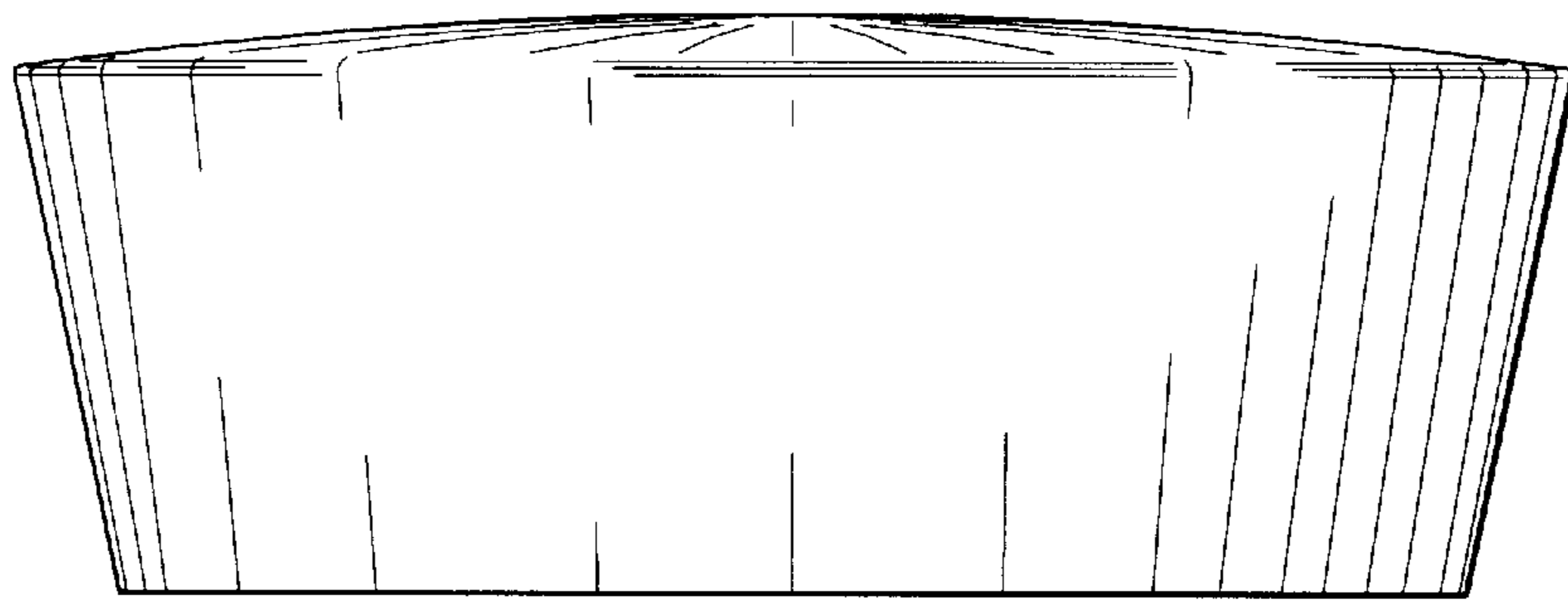


FIG. 5