



US00D406478S

# United States Patent [19] Rahman

[11] **Patent Number: Des. 406,478**

[45] **Date of Patent: \*\*Mar. 9, 1999**

[54] **SELF-INCLINING DISPLAY TRAY**

[75] Inventor: **Najeh Rahman**, Monsey, N.Y.

[73] Assignee: **Minami International, Corp.**, Yonkers, N.Y.

[\*\*] Term: **14 Years**

[21] Appl. No.: **86,753**

[22] Filed: **Apr. 20, 1998**

[51] **LOC (6) Cl. .... 06-04**

[52] **U.S. Cl. .... D6/475; D6/510**

[58] **Field of Search** ..... D6/473, 449, 475, D6/466, 476; D9/414, 433; D14/204; D3/304; D19/90, 92; 211/42, 72, 85, 26, 126.16, 134, 135; 206/736, 775, 45.24, 45.25; 229/100, 105, 116-1

### [56] **References Cited**

#### U.S. PATENT DOCUMENTS

D. 244,430	5/1977	Larkin	.....	D9/432
D. 277,819	3/1985	Crosslen	.....	D6/449
D. 288,394	2/1987	Canter	.....	D6/475
D. 351,516	10/1994	Yeh	.....	D6/466
D. 363,840	11/1995	Weshler	.....	D6/476
D. 394,966	6/1996	Conner et al.	.....	D6/476
3,774,774	11/1973	Menkel	.....	211/72
4,116,633	9/1978	Ellis	.....	206/736 X
5,706,959	1/1998	Smith	.....	211/126.16 X

*Primary Examiner*—James Gandy  
*Assistant Examiner*—Linda Brooks

*Attorney, Agent, or Firm*—Amster, Rothstein & Ebenstein

### [57] **CLAIM**

The ornamental design for a self-inclining display tray, as shown and described.

### **DESCRIPTION**

FIG. 1 is an isometric view from the front, top and one side, of a first embodiment of a self-inclining display tray showing my new design;

FIG. 2 is a bottom plan view thereof;

FIG. 3 is a side elevational view thereof, the opposite side being a mirror image thereof;

FIG. 4 is a front elevational view thereof;

FIG. 5 is a rear elevational view thereof;

FIG. 6 is an isometric view thereof from the front, top and one side, with the bottom support folded upwardly, and with a storage box illustrated in broken lines for purposes of illustration only and forming no part of the claimed design;

FIG. 7 is an isometric view from the front, top and one side, of a second embodiment of a self-inclining display tray showing my new design;

FIG. 8 is a bottom plan view of FIG. 7;

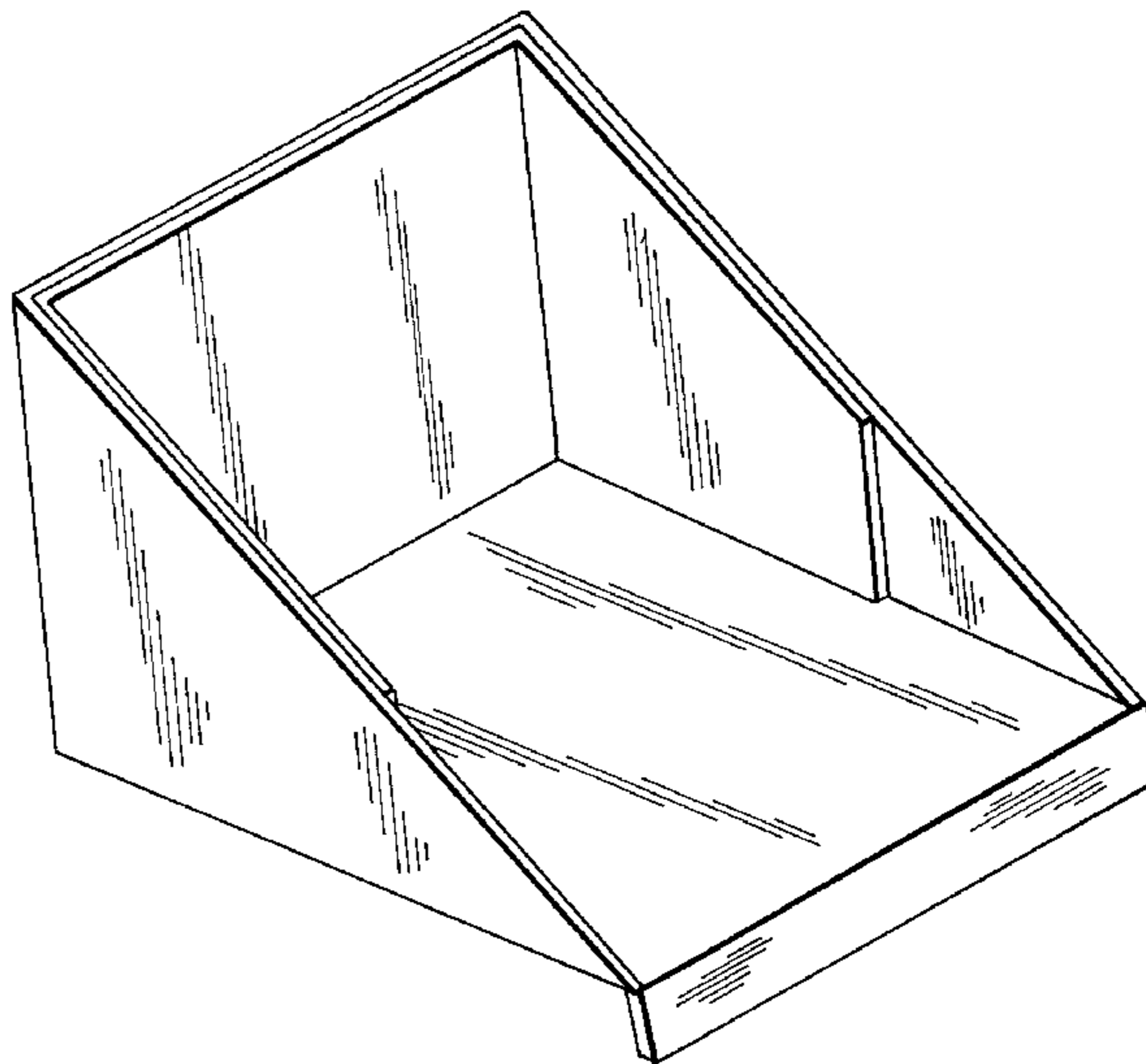
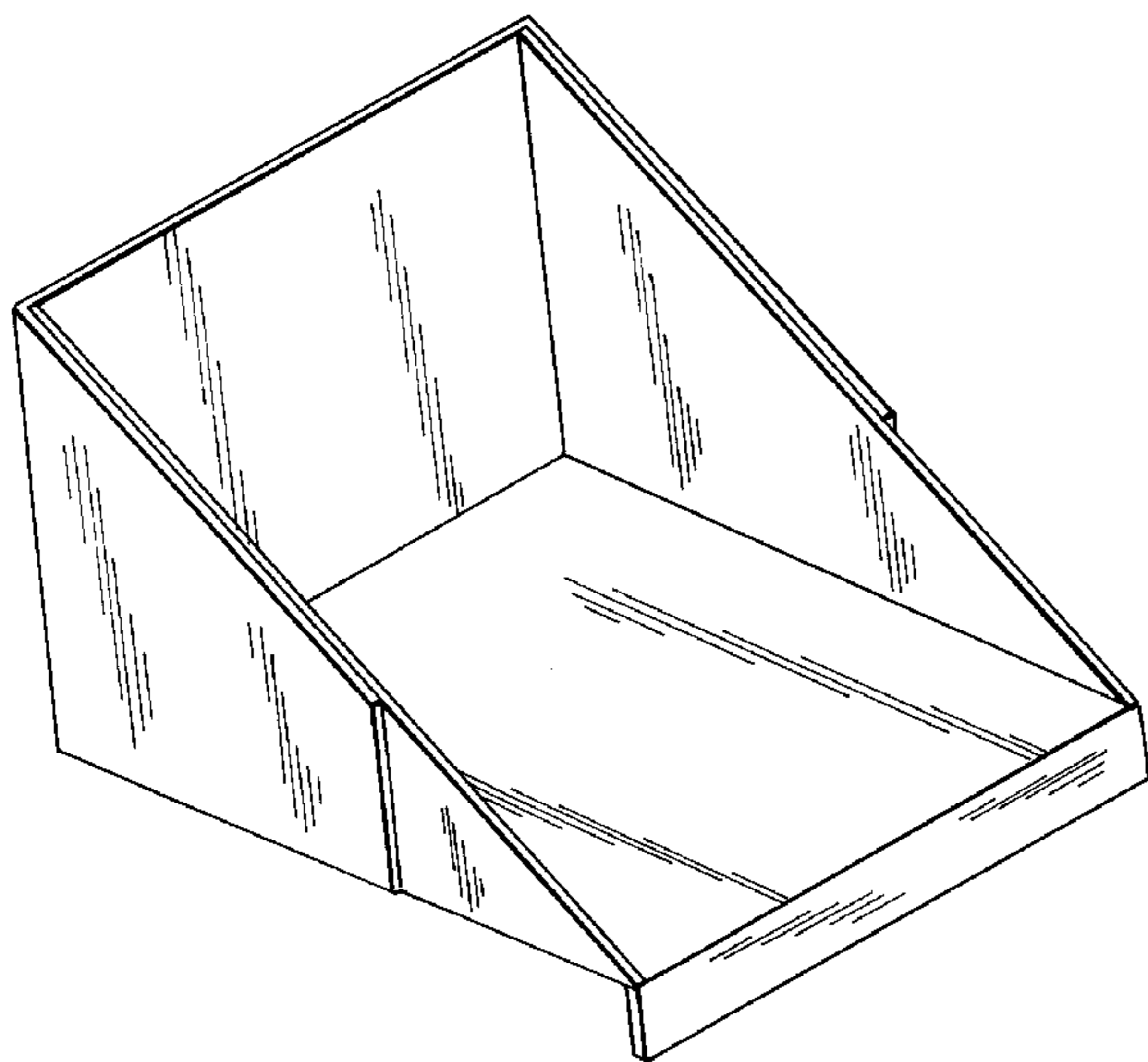
FIG. 9 is a side elevational view of FIG. 7, the opposite side being a mirror image thereof;

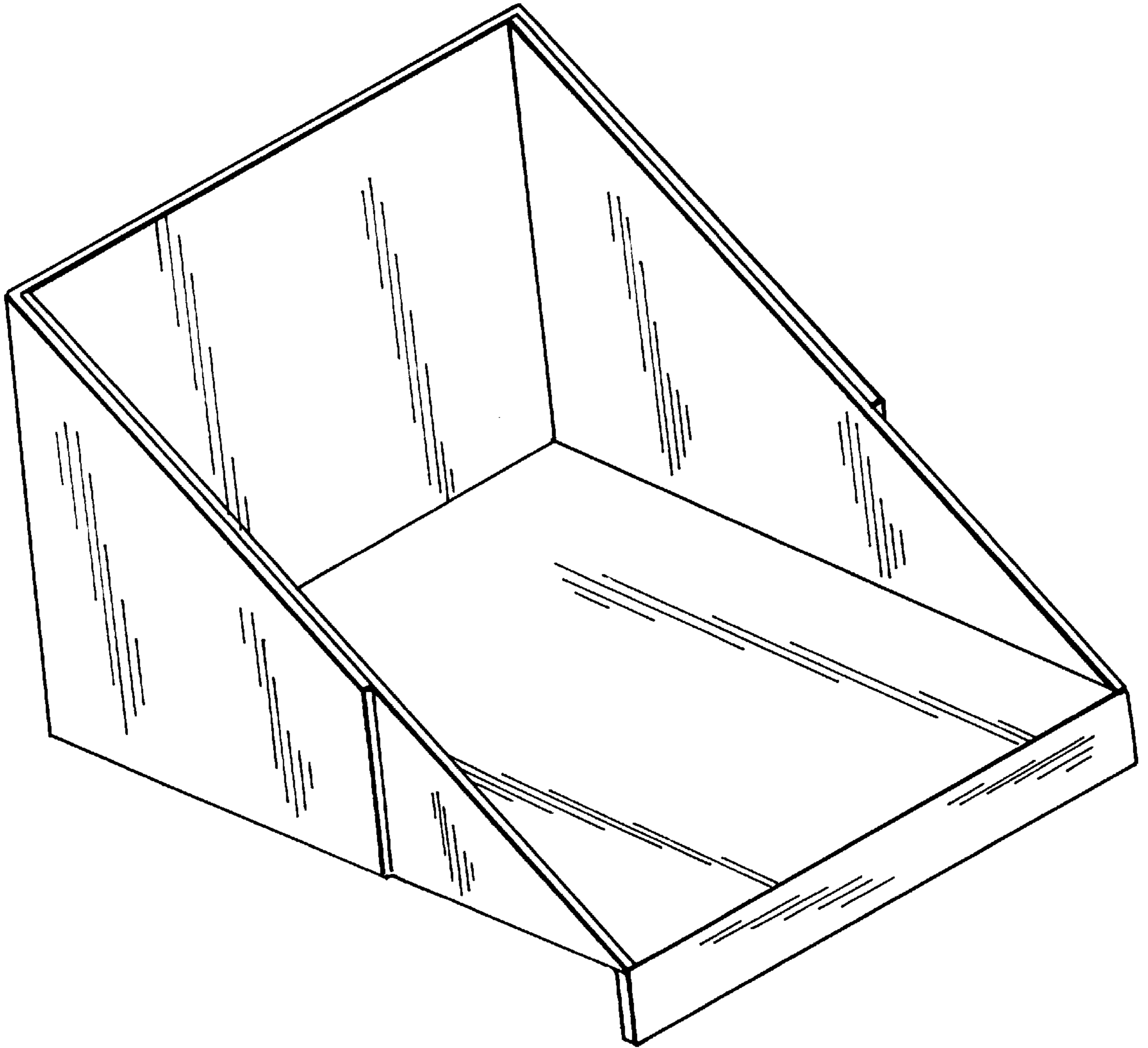
FIG. 10 is a front elevational view of FIG. 7;

FIG. 11 is a rear elevational view of FIG. 7; and,

FIG. 12 is an isometric view of FIG. 7 from the front, top and one side, with the bottom support folded upwardly, and with a storage box illustrated in broken lines for purposes of illustration only and forming no part of the claimed design.

**1 Claim, 8 Drawing Sheets**





**F I G . 1**

FIG. 2

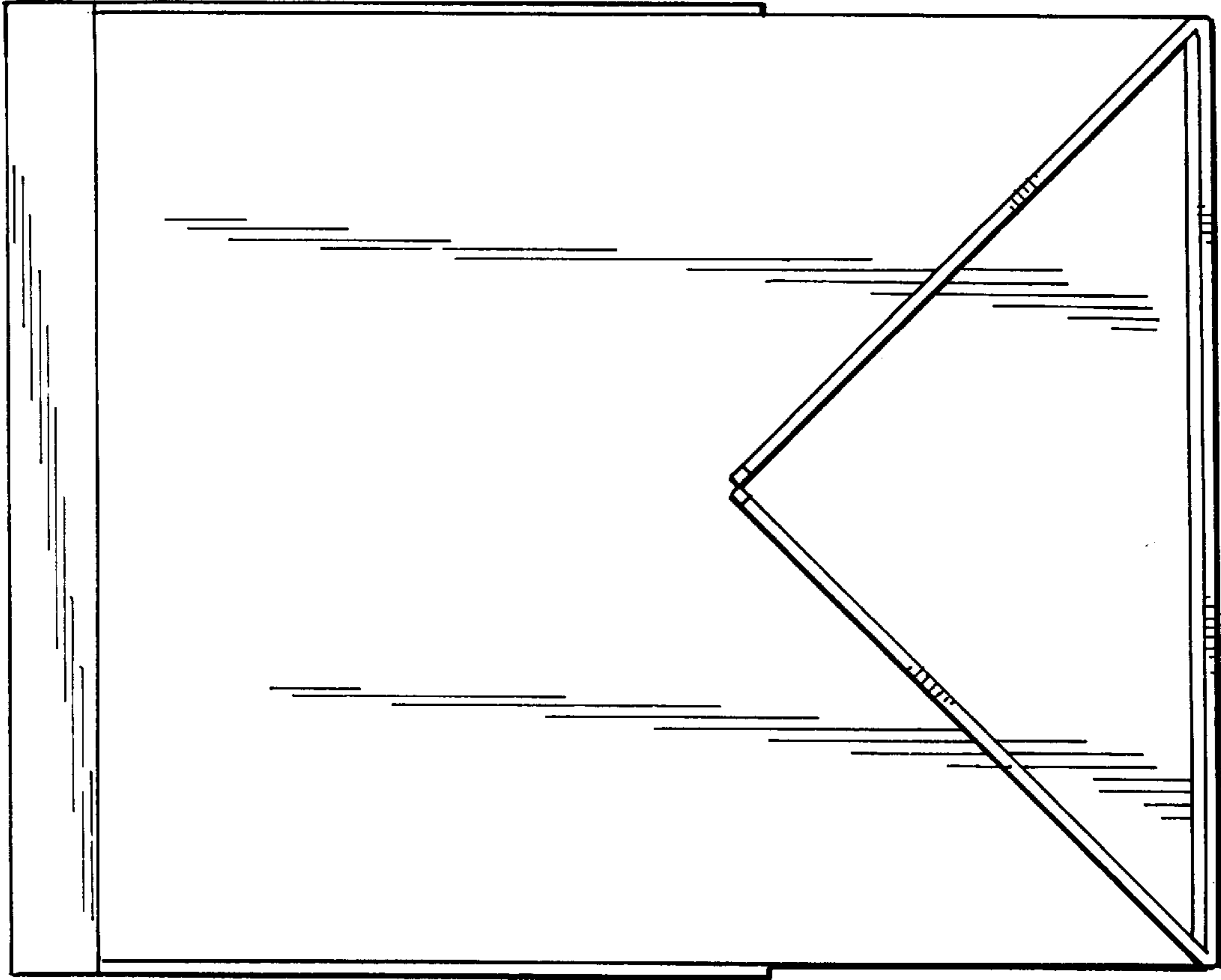
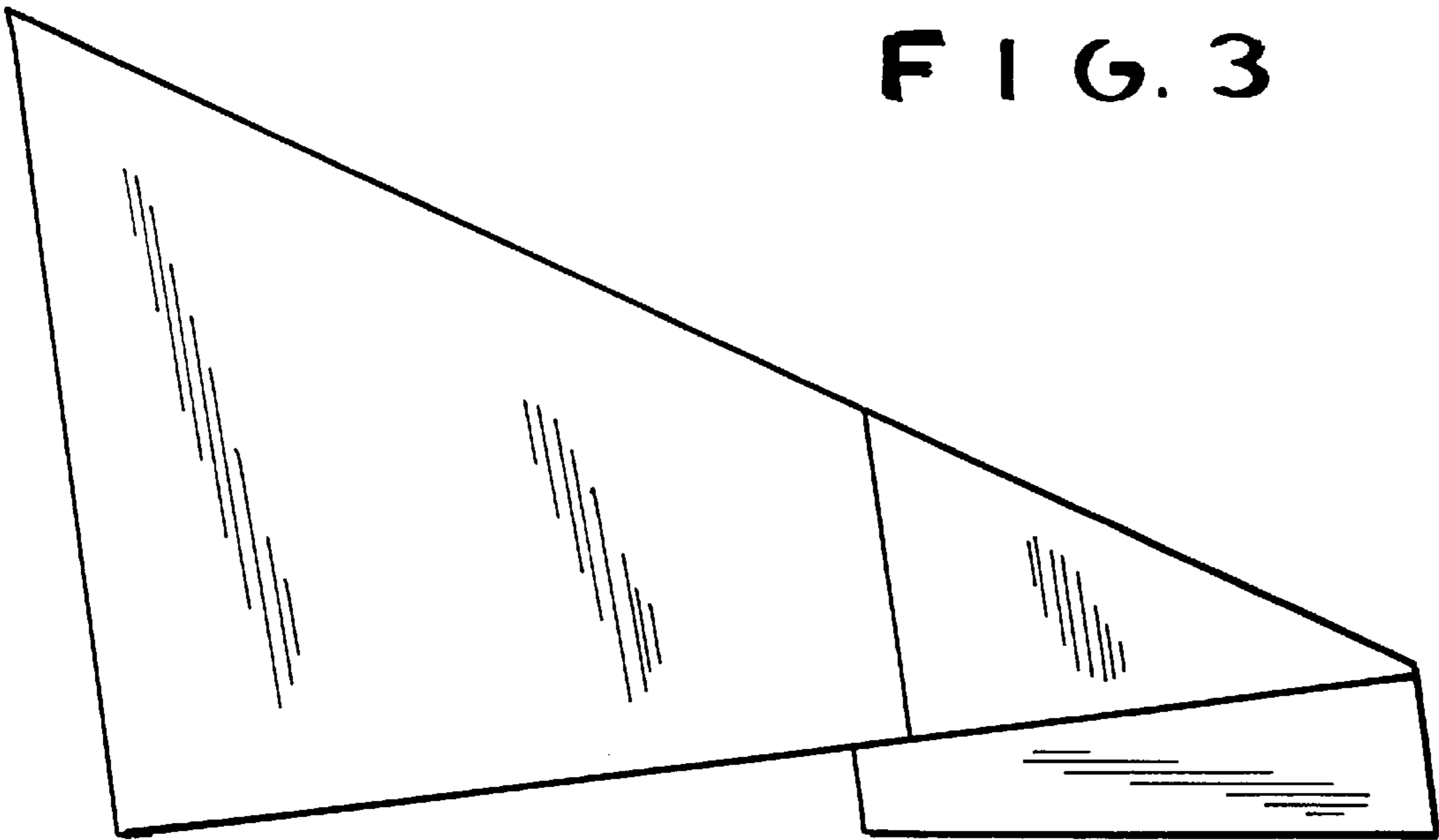
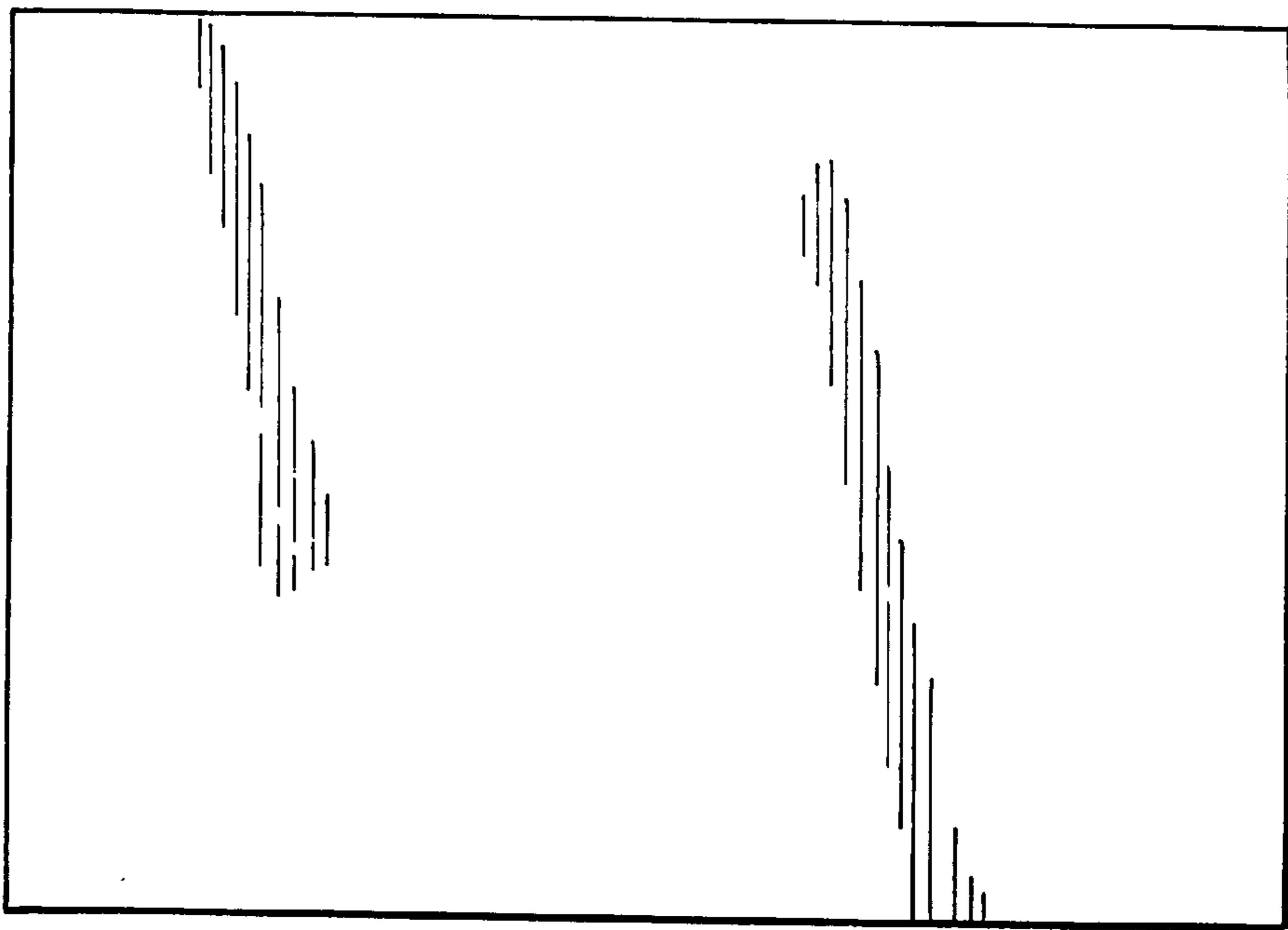
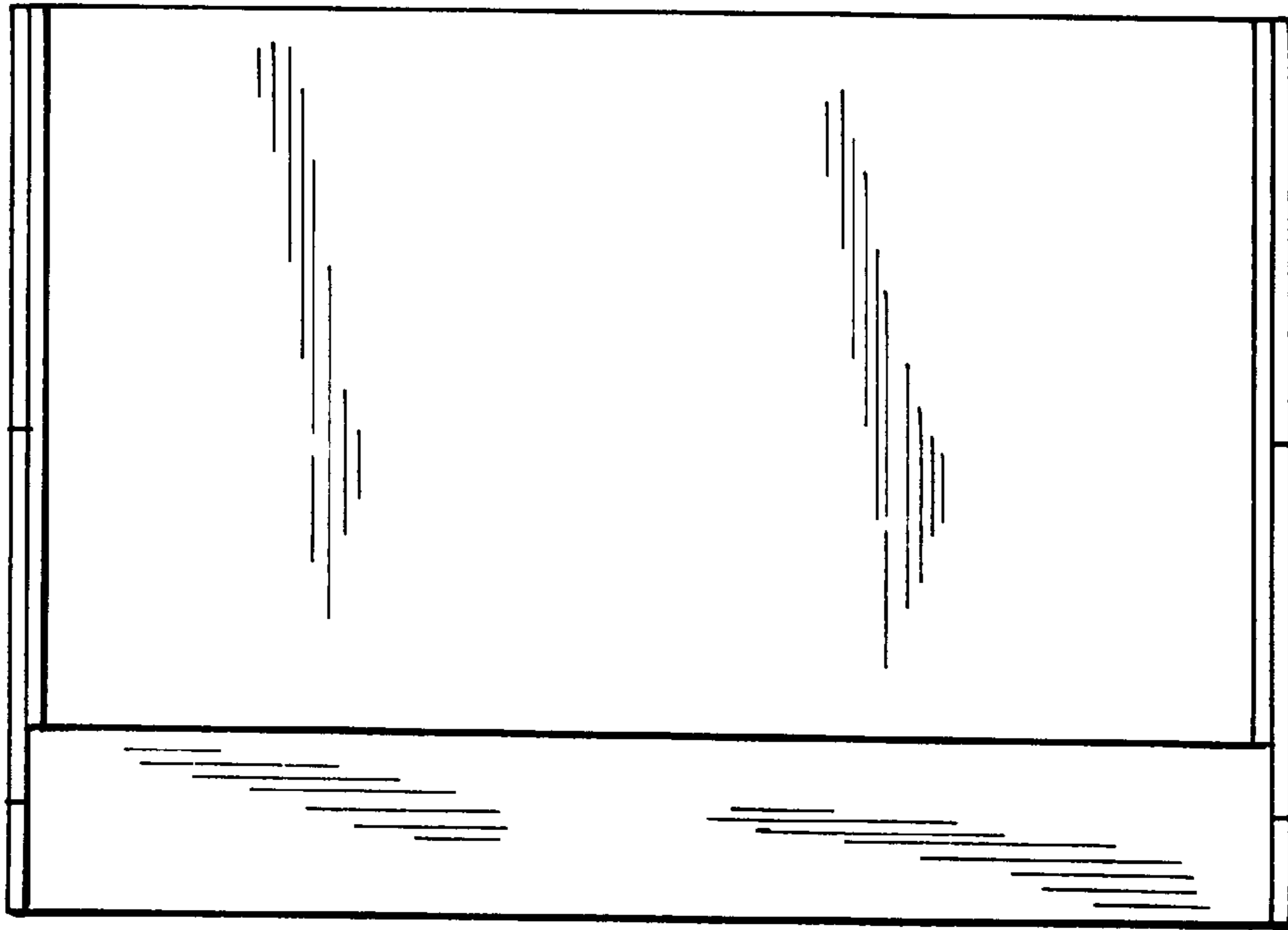


FIG. 3



**FIG. 4**



**FIG. 5**

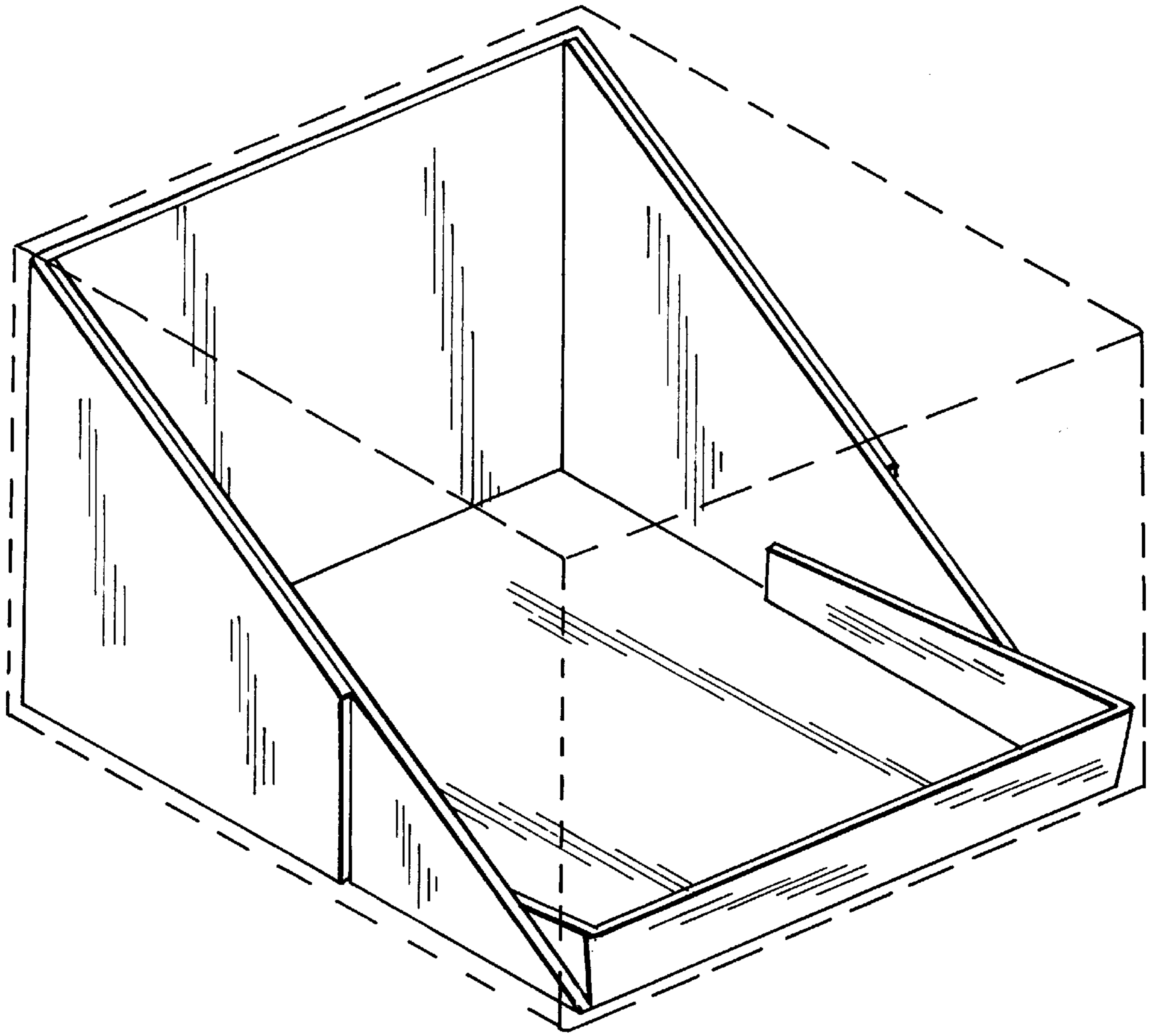
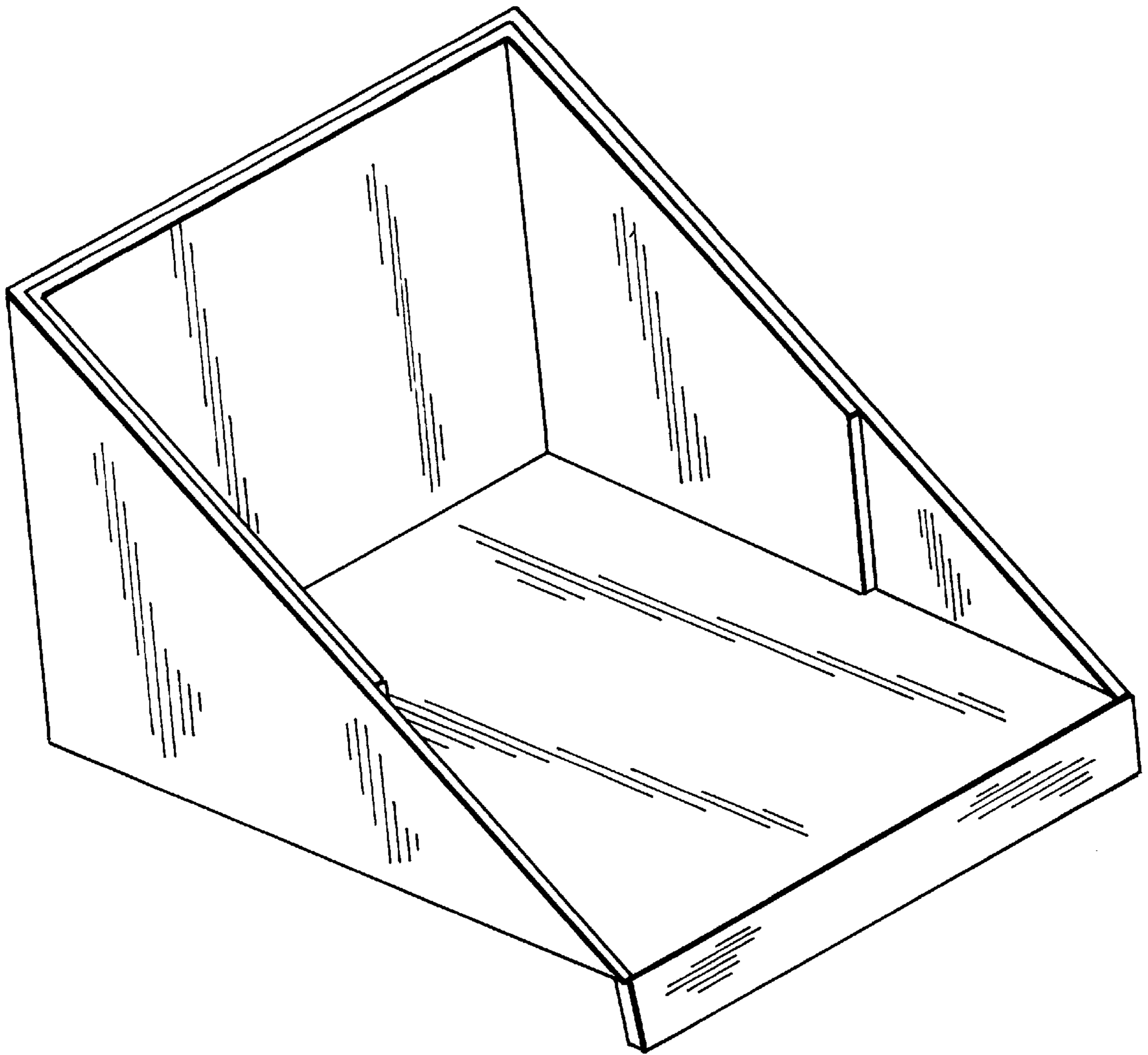
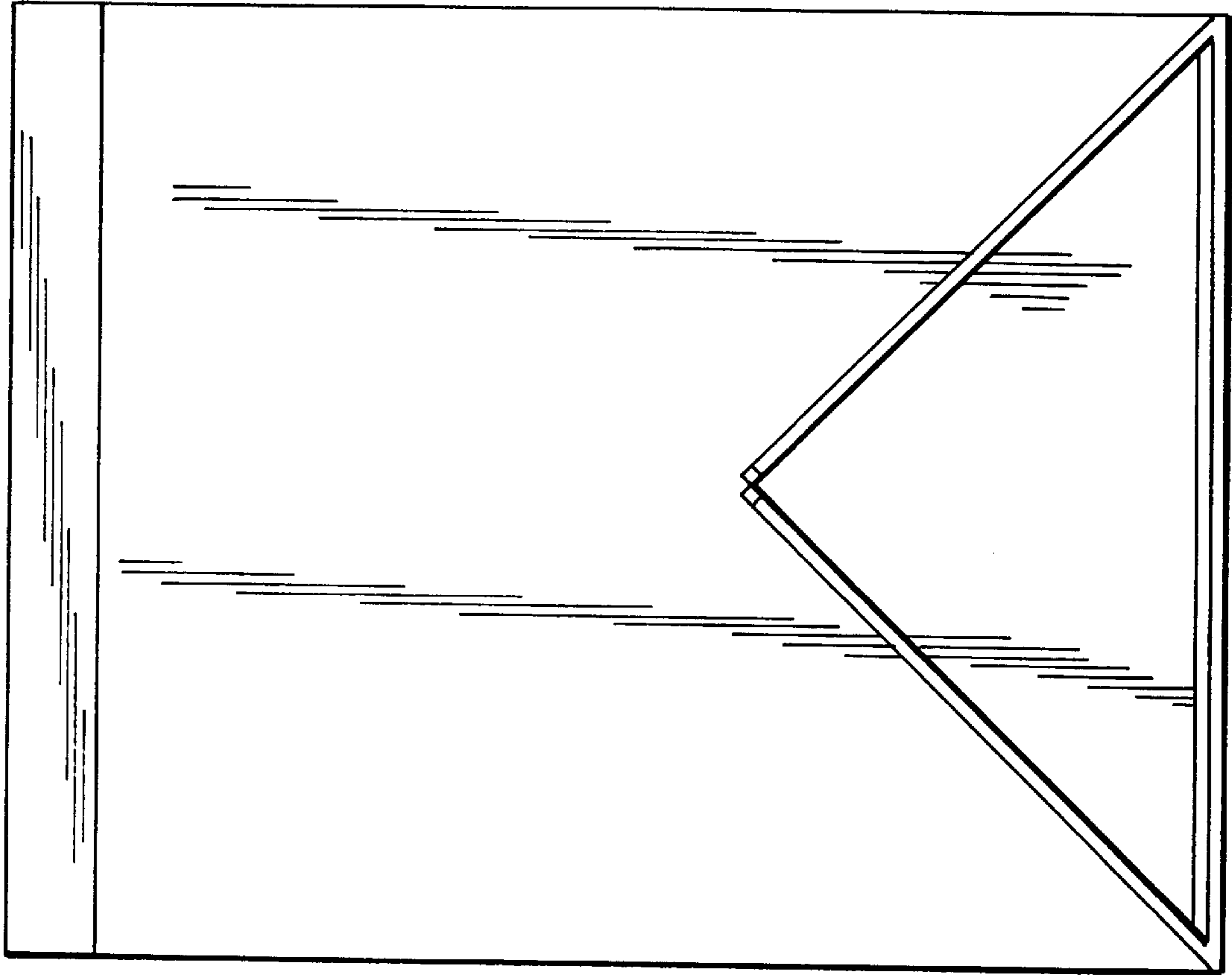


FIG. 6

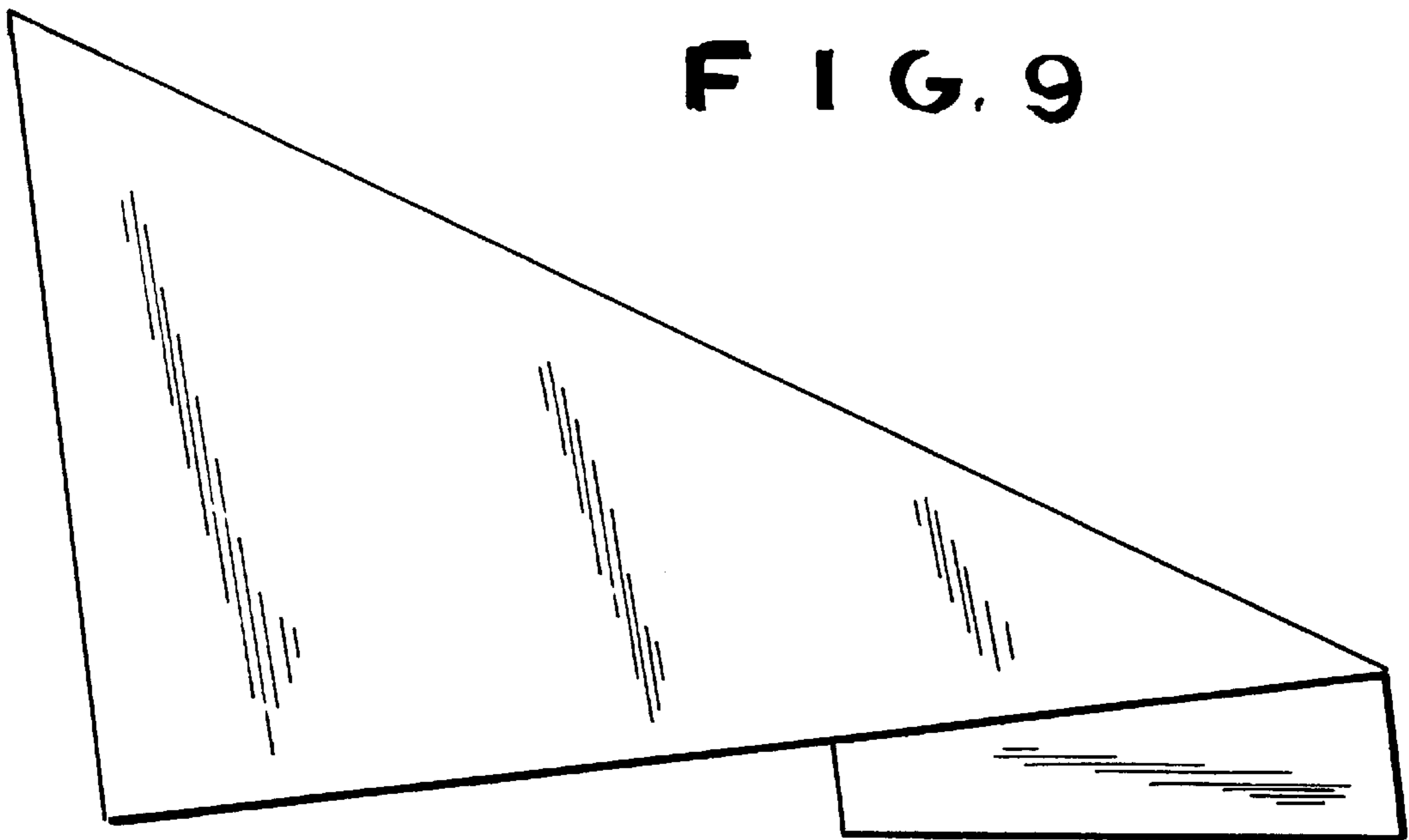


**FIG. 7**

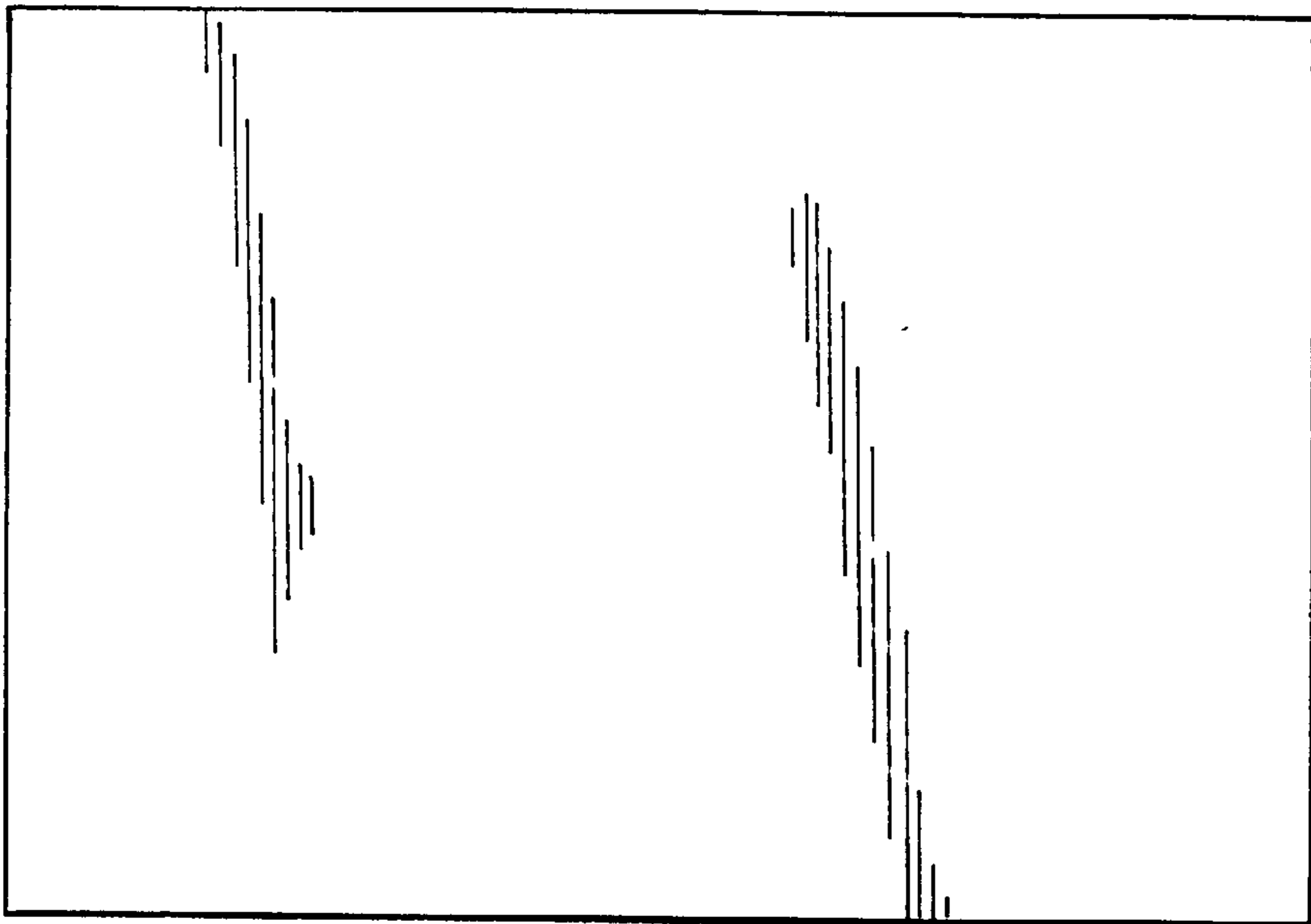
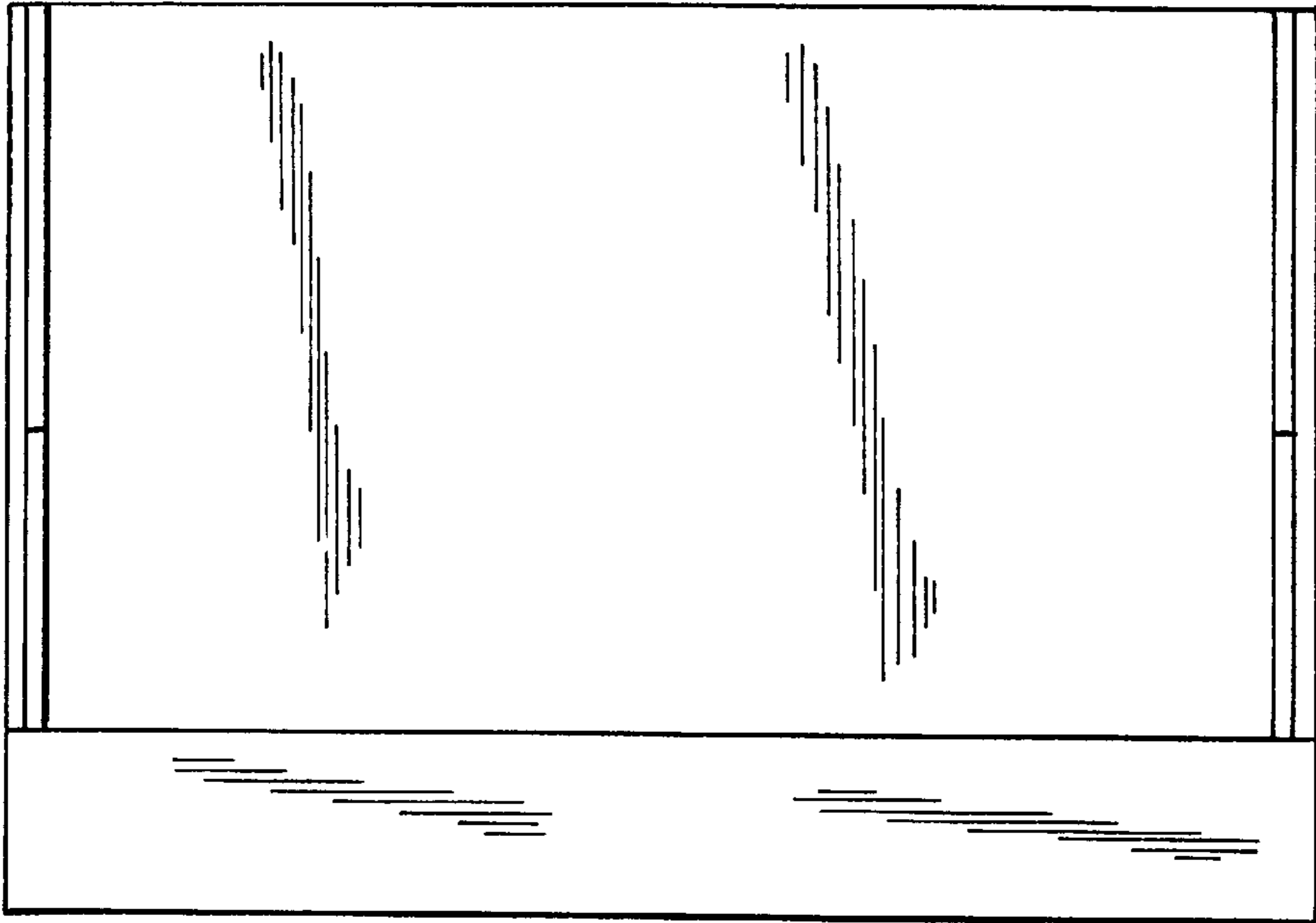
**FIG. 8**



**FIG. 9**

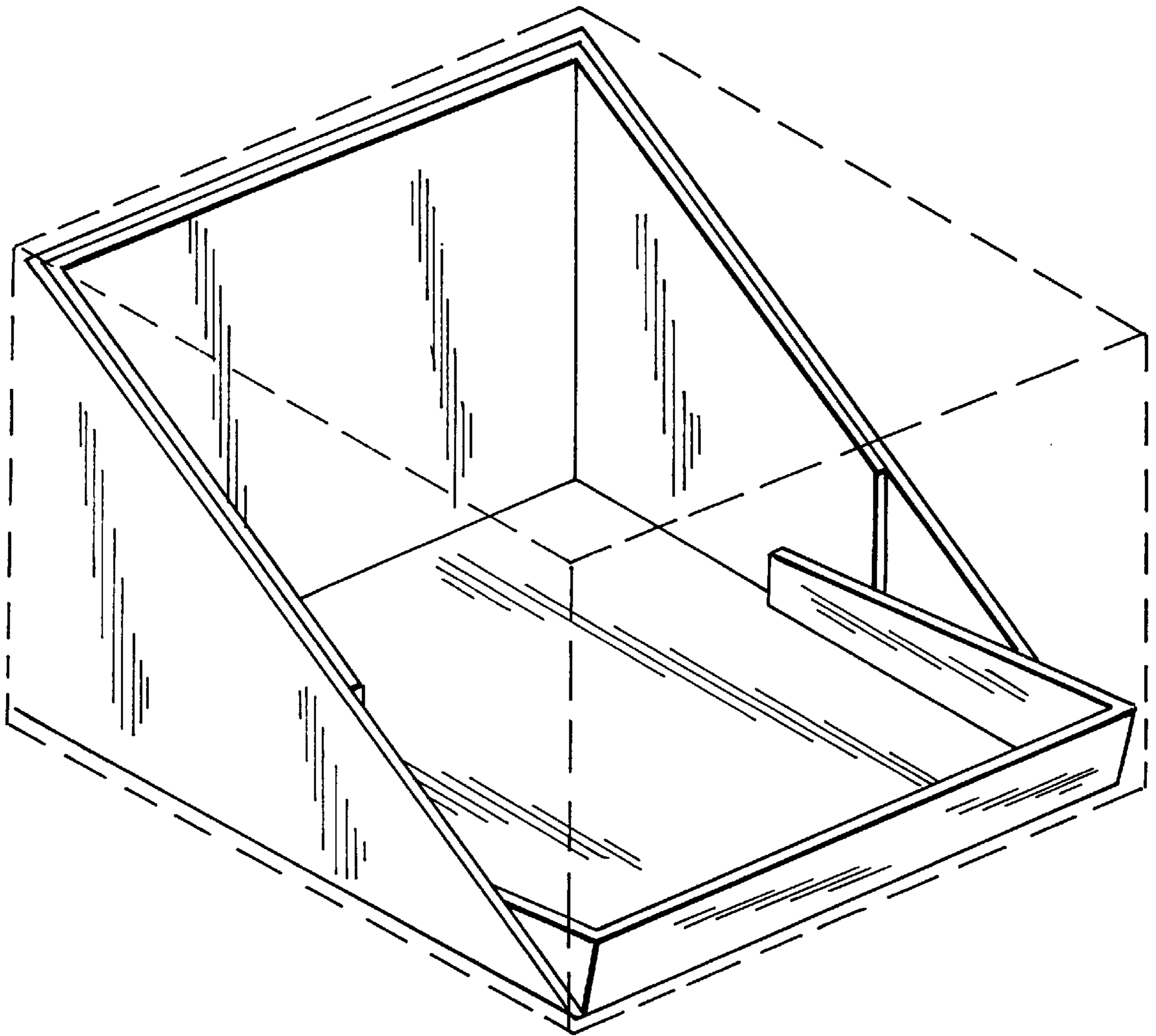


**FIG. 10**



**FIG. 11**





**FIG. 12**