



US00D406474S

United States Patent [19]

Toledo et al.

[11] **Patent Number: Des. 406,474**

[45] **Date of Patent: **Mar. 9, 1999**

[54] **IMMERSIBLE POOL SIDE CHAIR**

Primary Examiner—Gary D. Watson

[76] Inventors: **Robert Toledo; David Tomas Sandoval**, both of 11384 Legacy Canyon Pl., San Diego, Calif. 92131

[57] **CLAIM**

The ornamental design for an immersible pool side chair, as shown and described.

[**] Term: **14 Years**

DESCRIPTION

[21] Appl. No.: **79,026**

FIG. 1 is a left side elevational view of the immersible pool side chair of the present invention;

[22] Filed: **Nov. 6, 1997**

FIG. 2 is a right side elevational view of the immersible pool side chair of FIG. 1;

[51] **LOC (6) Cl.** **06-01**

FIG. 3 is a front elevational view of the immersible pool side chair of FIG. 1;

[52] **U.S. Cl.** **D6/362**

[58] **Field of Search** D6/334, 335, 336, D6/362, 374, 375, 500, 501, 502; D25/2; 4/496; 297/440.1

FIG. 4 is a back elevational view of the immersible pool side chair of FIG. 1;

[56] **References Cited**

FIG. 5 is a top plan view of the immersible pool side chair of FIG. 1; and,

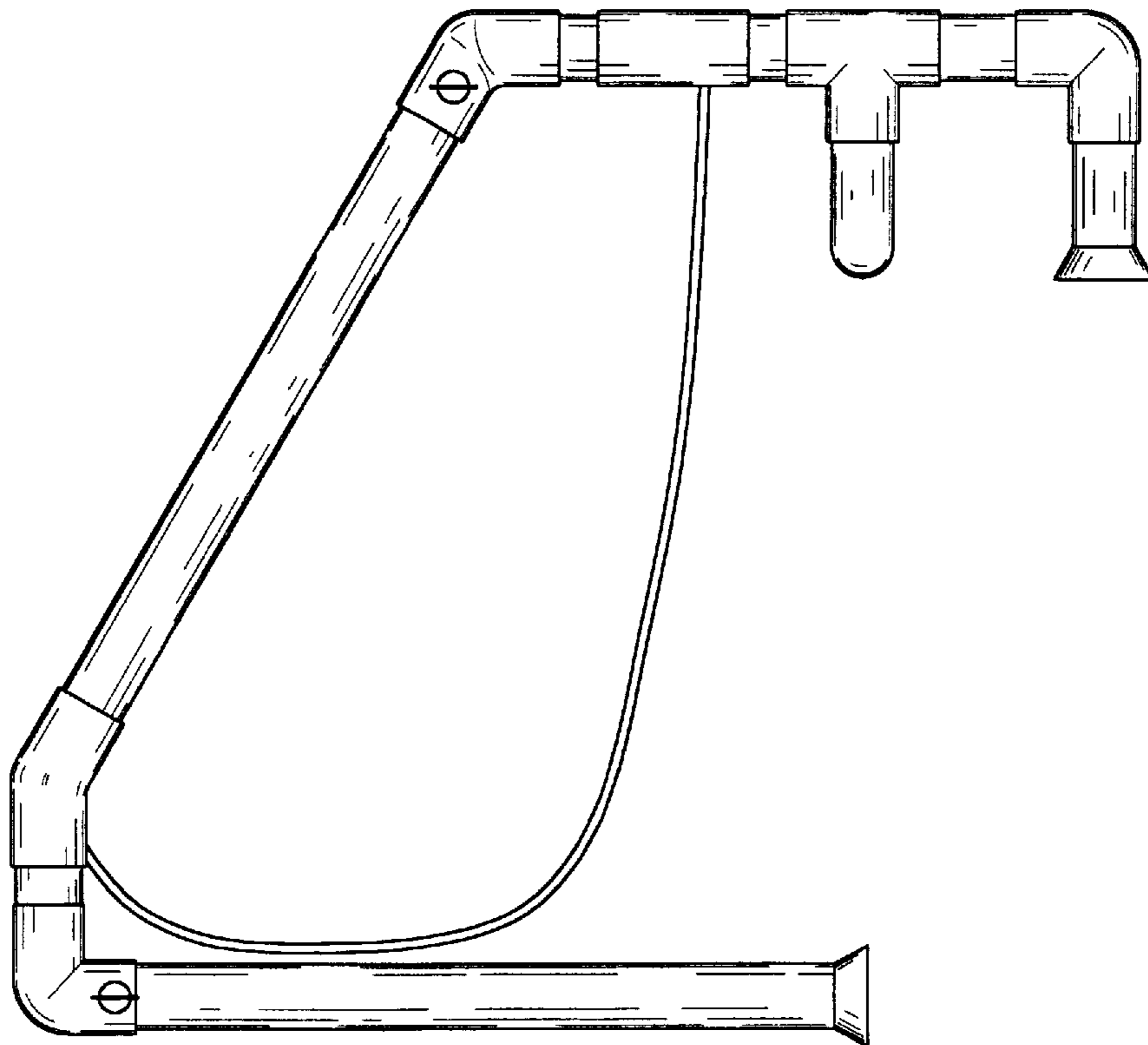
U.S. PATENT DOCUMENTS

| | | | | |
|------------|---------|----------|-------|-----------|
| D. 351,740 | 10/1994 | Tesmer | | D6/362 |
| 3,695,702 | 10/1972 | Ingellis | | 297/440.1 |
| 4,893,363 | 1/1990 | Huff | | 4/496 |
| 5,307,527 | 5/1994 | Schober | | 4/496 |

FIG. 6 is a bottom plan view of the immersible pool side chair of FIG. 1.

The fragmented cross-hatching shown on the seat member in FIGS. 3 through 6 is understood to represent fabric and would be continuous throughout the implied areas.

1 Claim, 3 Drawing Sheets



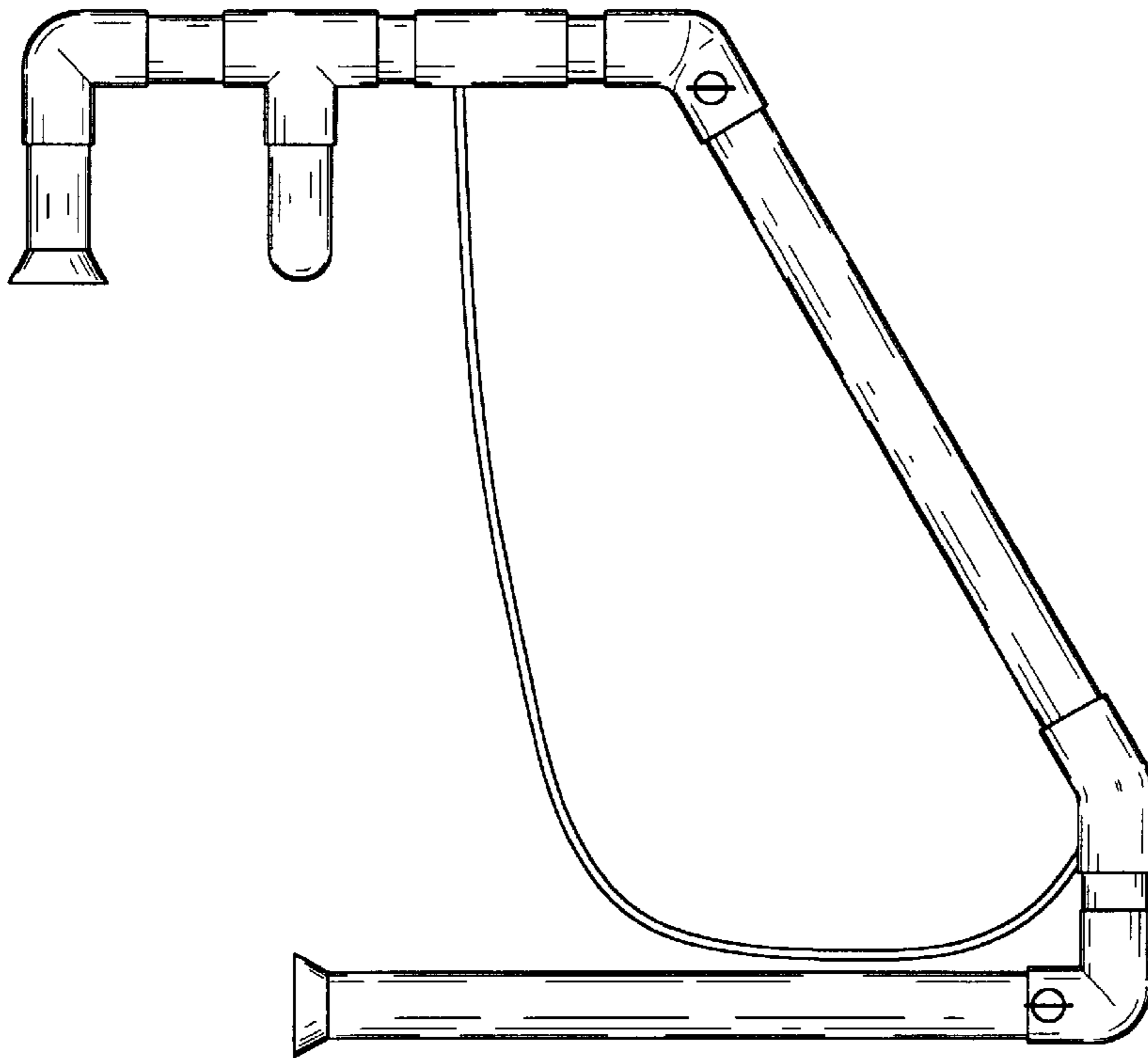


Fig. 2

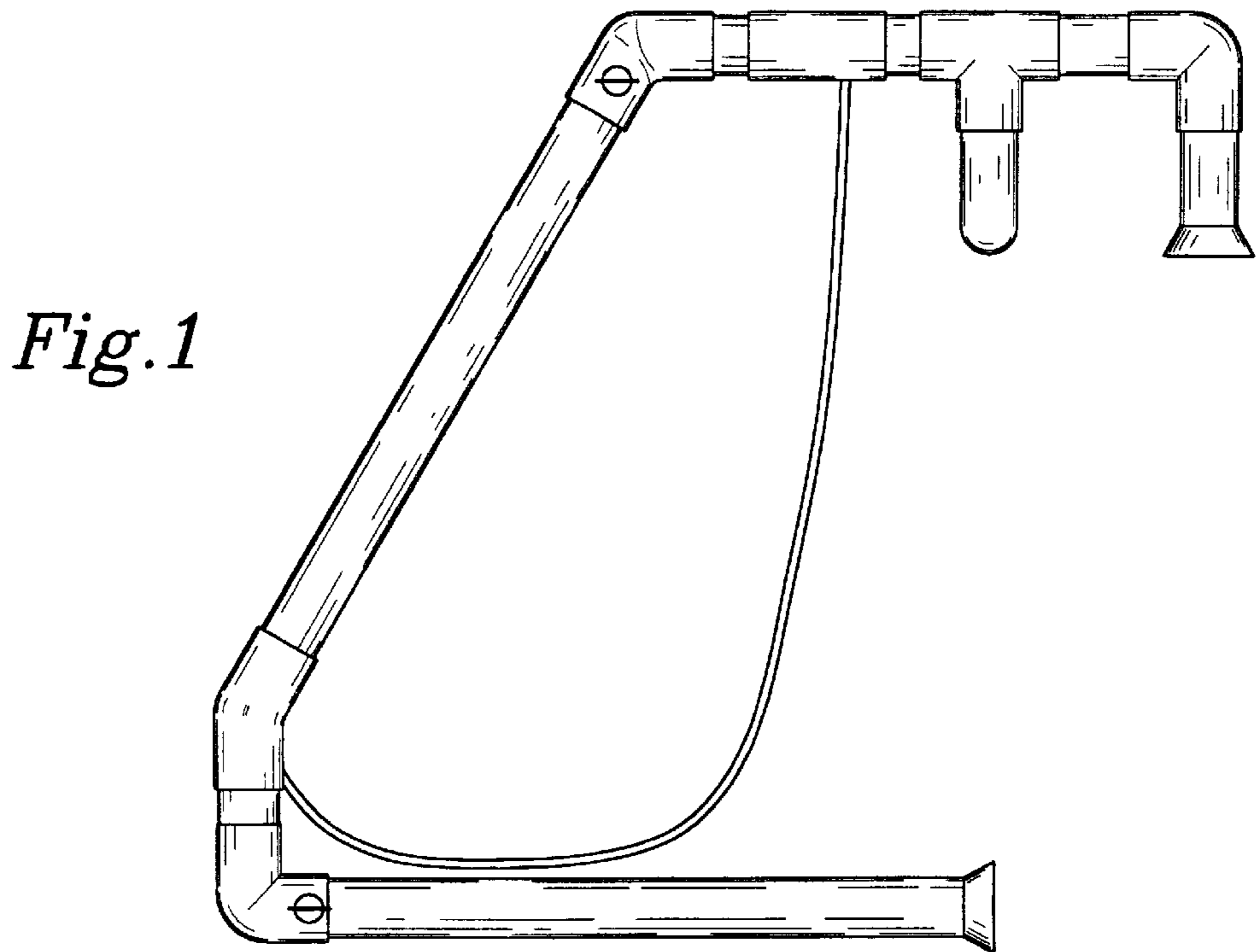


Fig. 1

Fig. 4

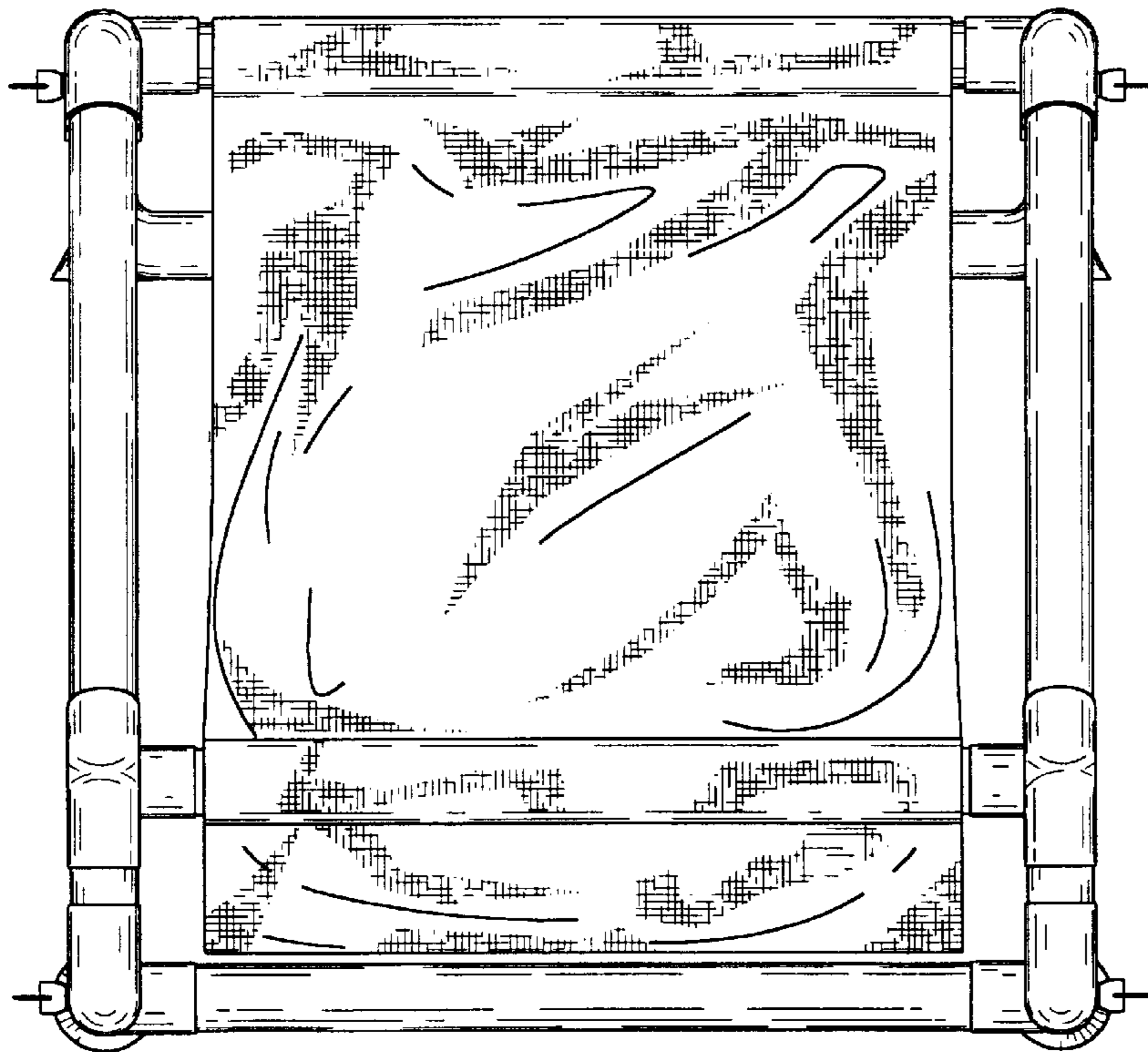
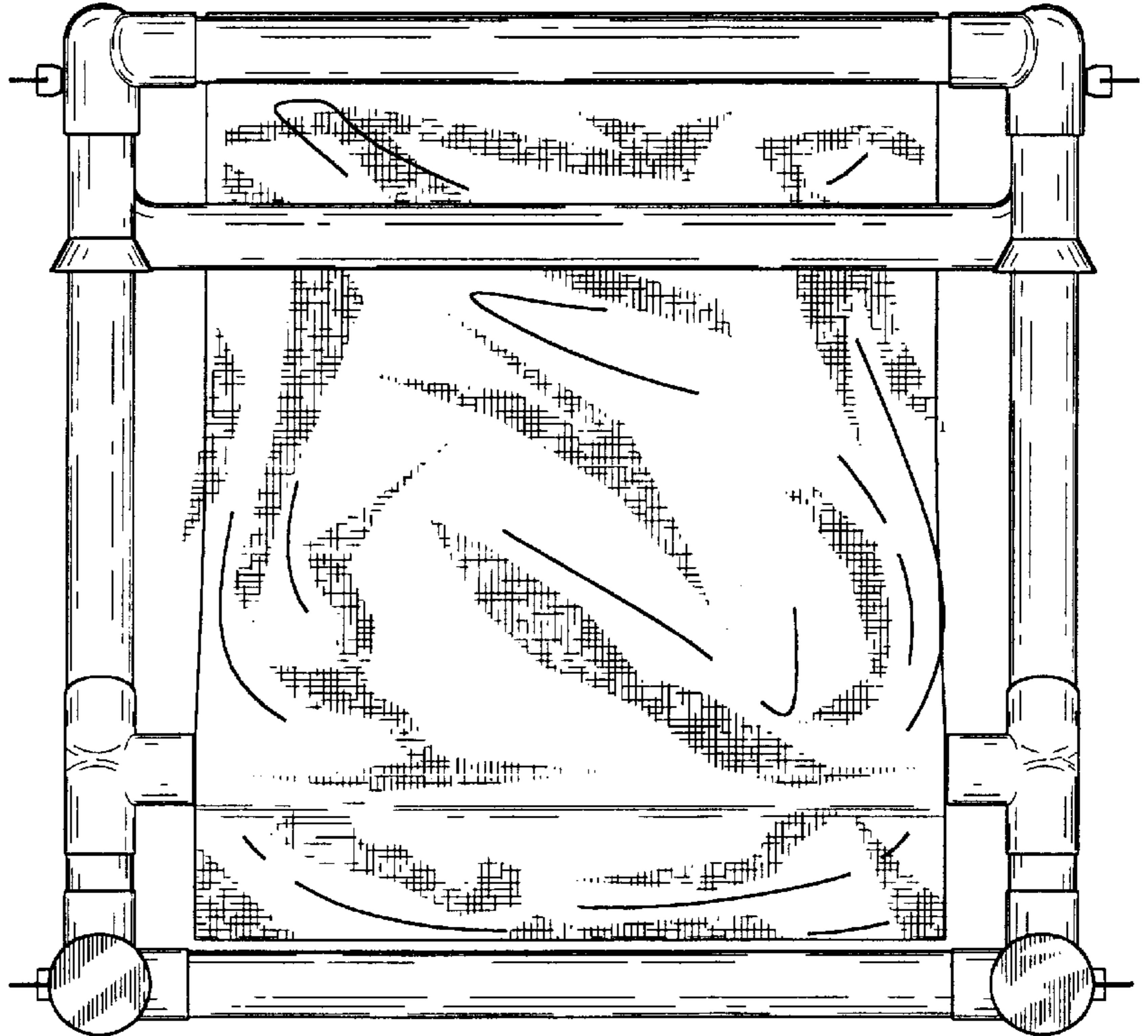


Fig. 3

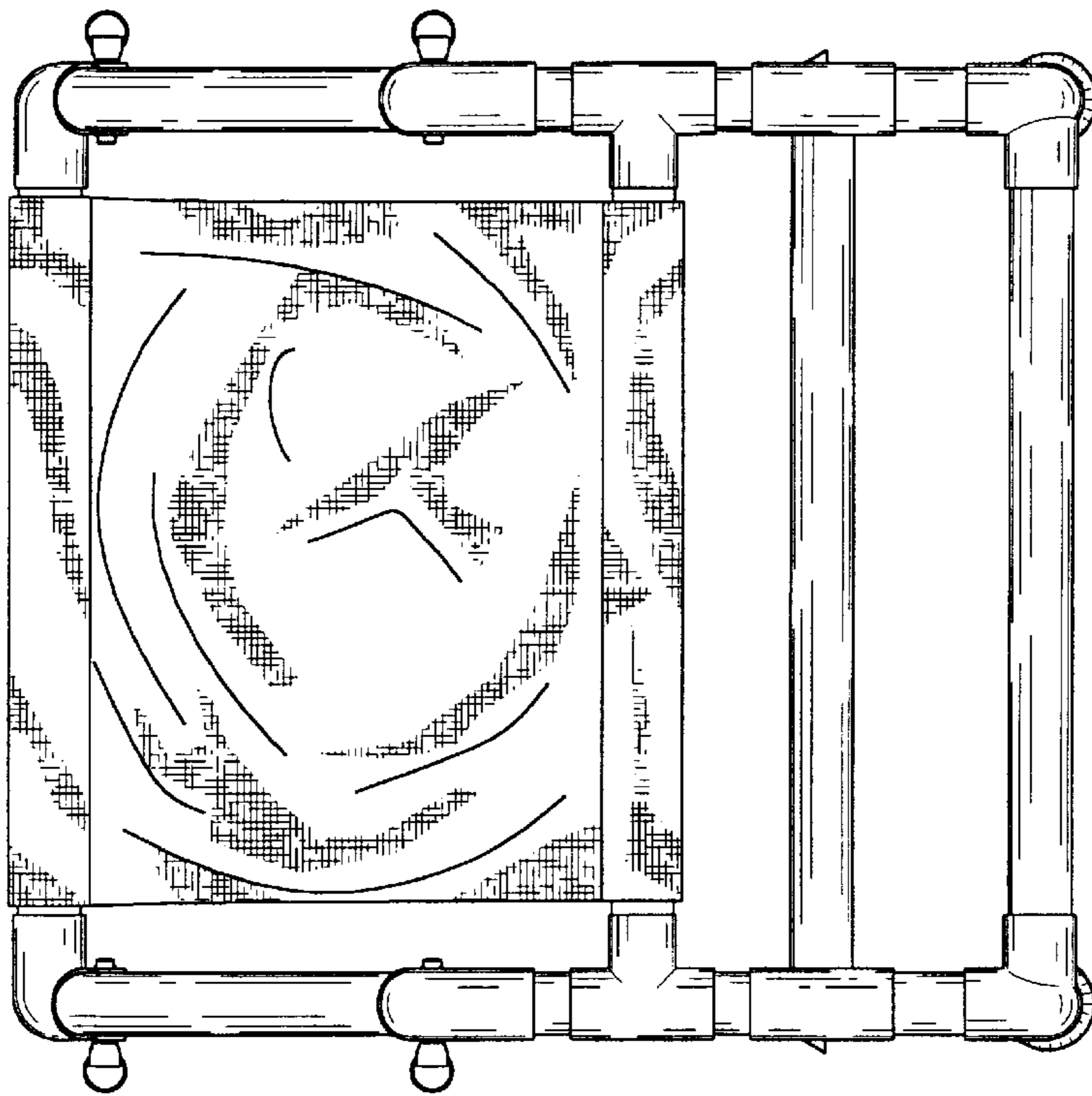


Fig. 5

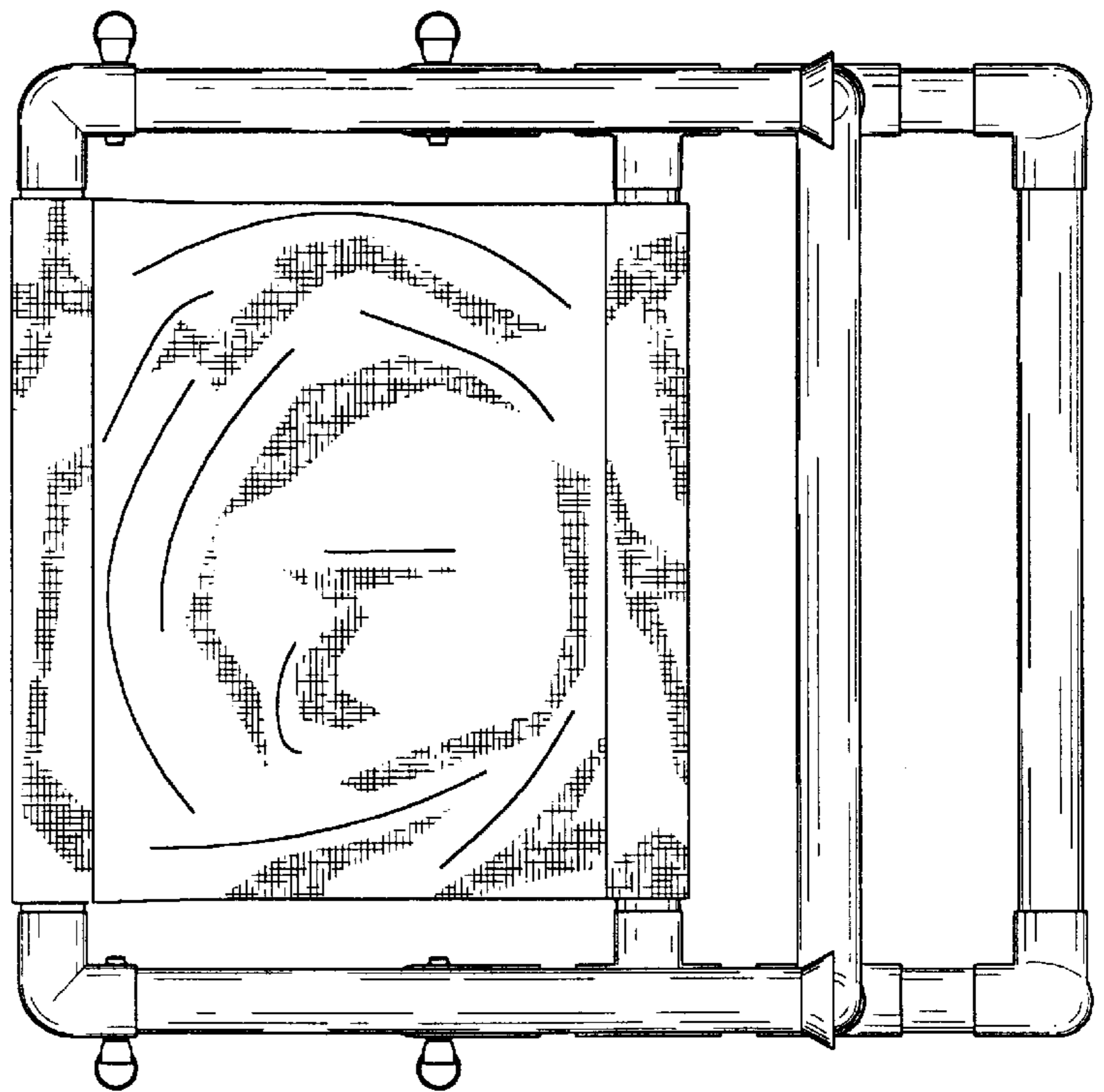


Fig. 6