



US00D406473S

United States Patent [19]

Lin et al.

[11] Patent Number: **Des. 406,473**

[45] Date of Patent: ****Mar. 9, 1999**

[54] **CHAISE LOUNGE**

[75] Inventors: **Maya Ying Lin; Carl G. Magnusson**, both of New York, N.Y.; **William T. Shea**, Barto, Pa.

[73] Assignee: **Knoll, Inc.**, East Greenville, Pa.

[**] Term: **14 Years**

[21] Appl. No.: **81,953**

[22] Filed: **Jan. 12, 1998**

[51] **LOC (6) Cl.** **06-01**

[52] **U.S. Cl.** **D6/361; D6/382**

[58] **Field of Search** D6/334, 335, 336, D6/360, 361, 382, 500, 501, 502; 5/12.1, 630, 652, 655.9, 691, 733, 740; 297/440.12

[56] **References Cited**

U.S. PATENT DOCUMENTS

D. 87,579	8/1932	Hoey	D6/361
169,771	11/1875	Burnitz	5/12.1
D. 281,655	12/1985	Carter	D6/334
D. 282,423	2/1986	Carter	D6/334 X
D. 288,507	3/1987	Evans	D6/336 X

D. 313,893	1/1991	Hopfer	D6/334
D. 387,572	12/1997	Lewis	D6/361

OTHER PUBLICATIONS

Nic. Liesenbein's Sons, p. 105, Lounge #4301 at bottom right, ©1921.

Nic. Liesenbein's Sons, p. 106, Lounge #4302 at top left, ©1921.

Primary Examiner—Gary D. Watson
Attorney, Agent, or Firm—Buchanan Ingersoll, P.C.

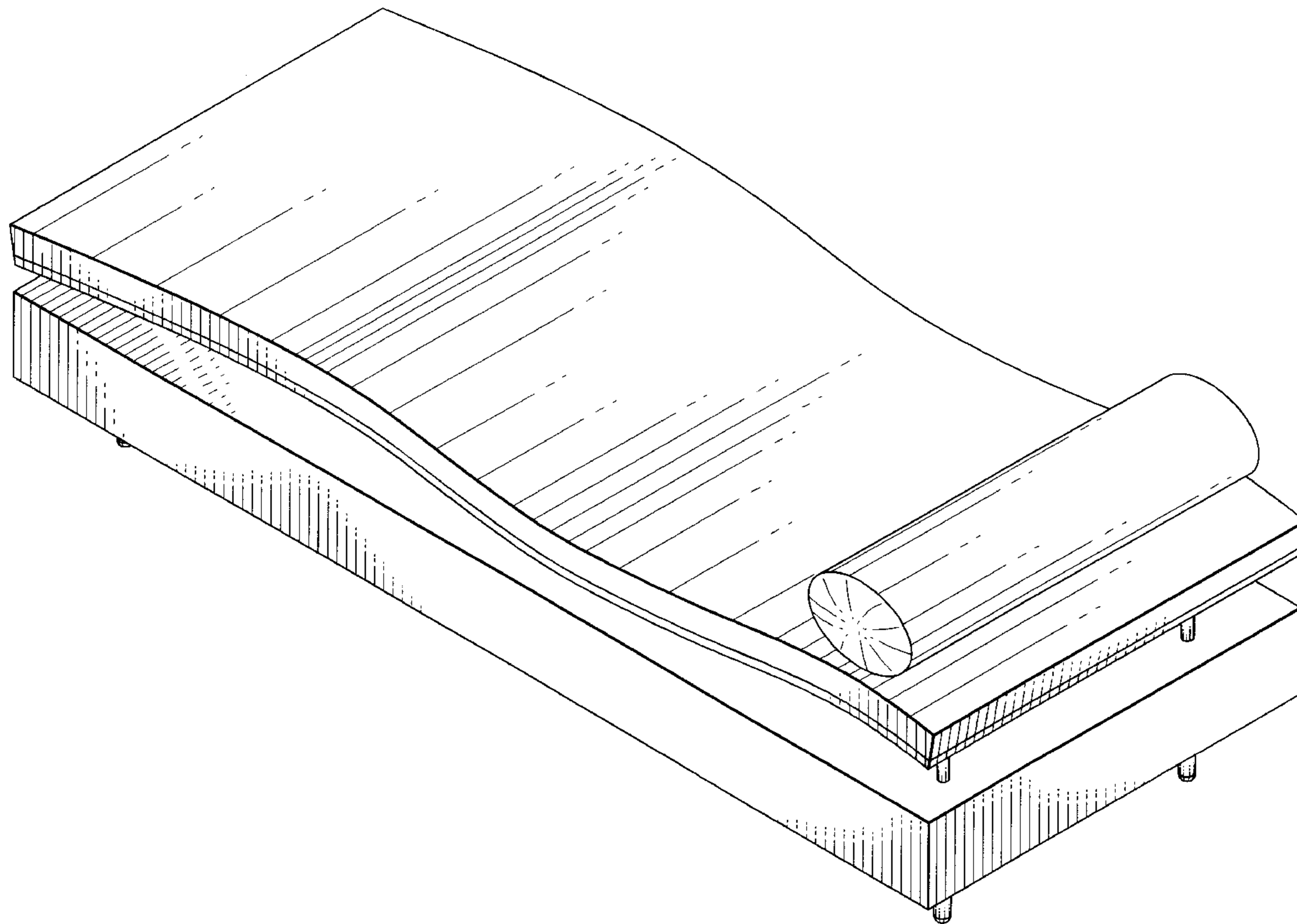
[57] **CLAIM**

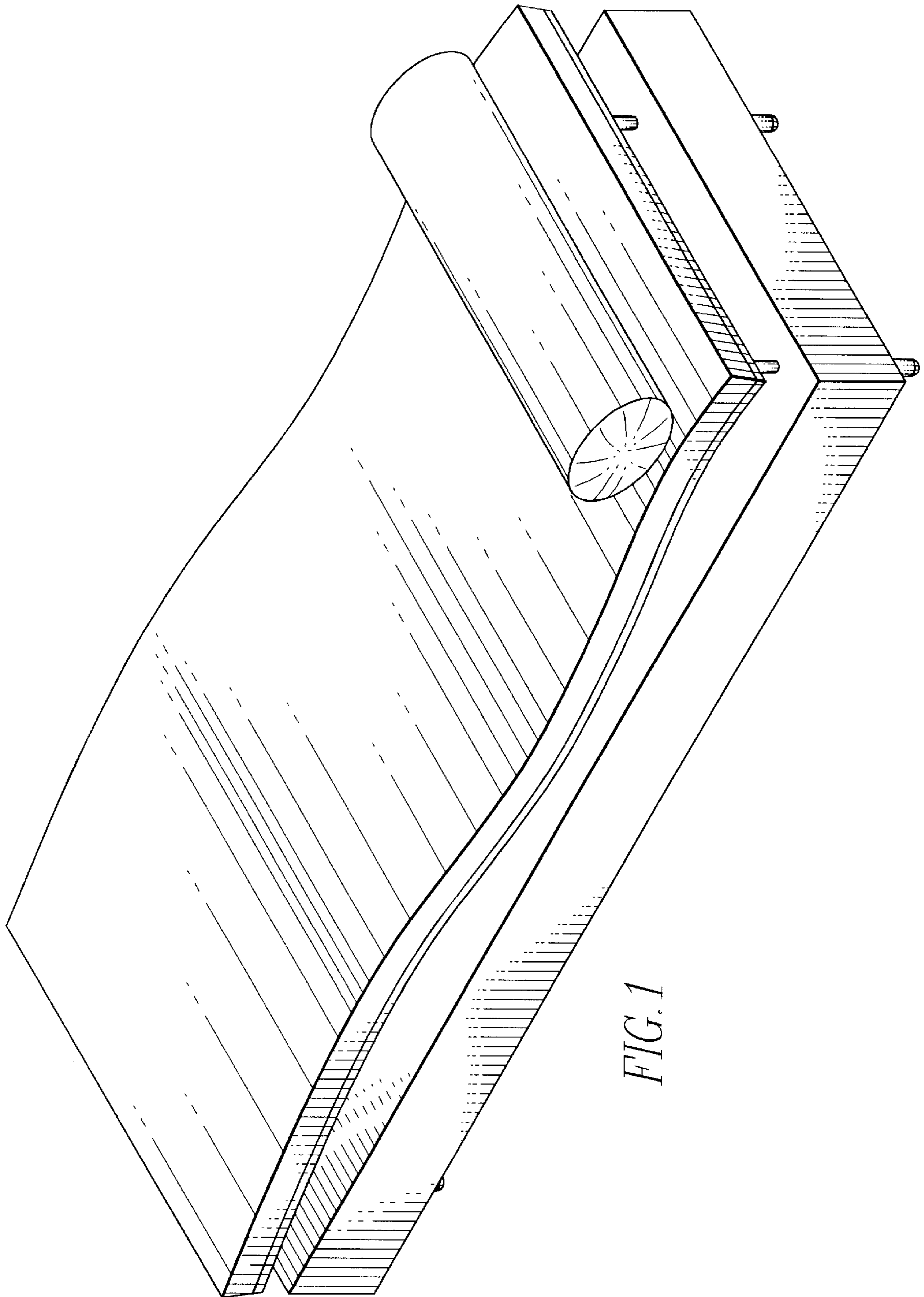
The ornamental design for a chaise lounge, as shown and described.

DESCRIPTION

FIG. 1 is a perspective view of a chaise lounge showing our new design;
FIG. 2 is a front elevational view thereof, the rear view being a mirror image thereof;
FIG. 3 is a top plan view thereof;
FIG. 4 is a bottom plan view thereof;
FIG. 5 is a right side elevational view thereof; and,
FIG. 6 is a left side elevational view thereof.

1 Claim, 4 Drawing Sheets





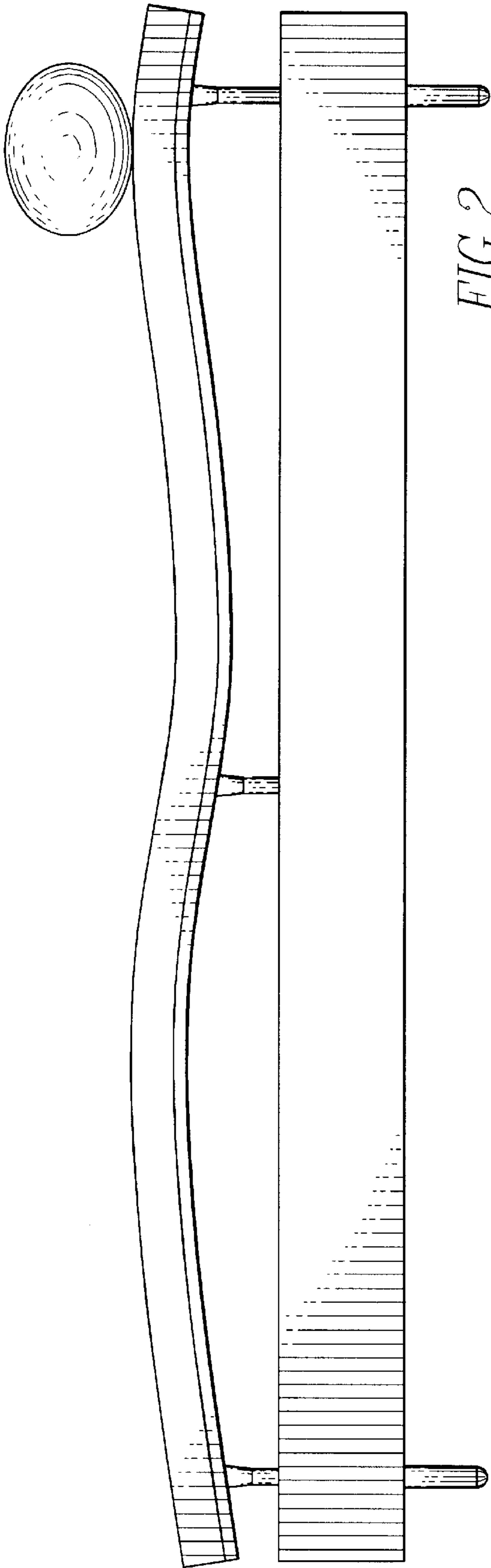


FIG. 2

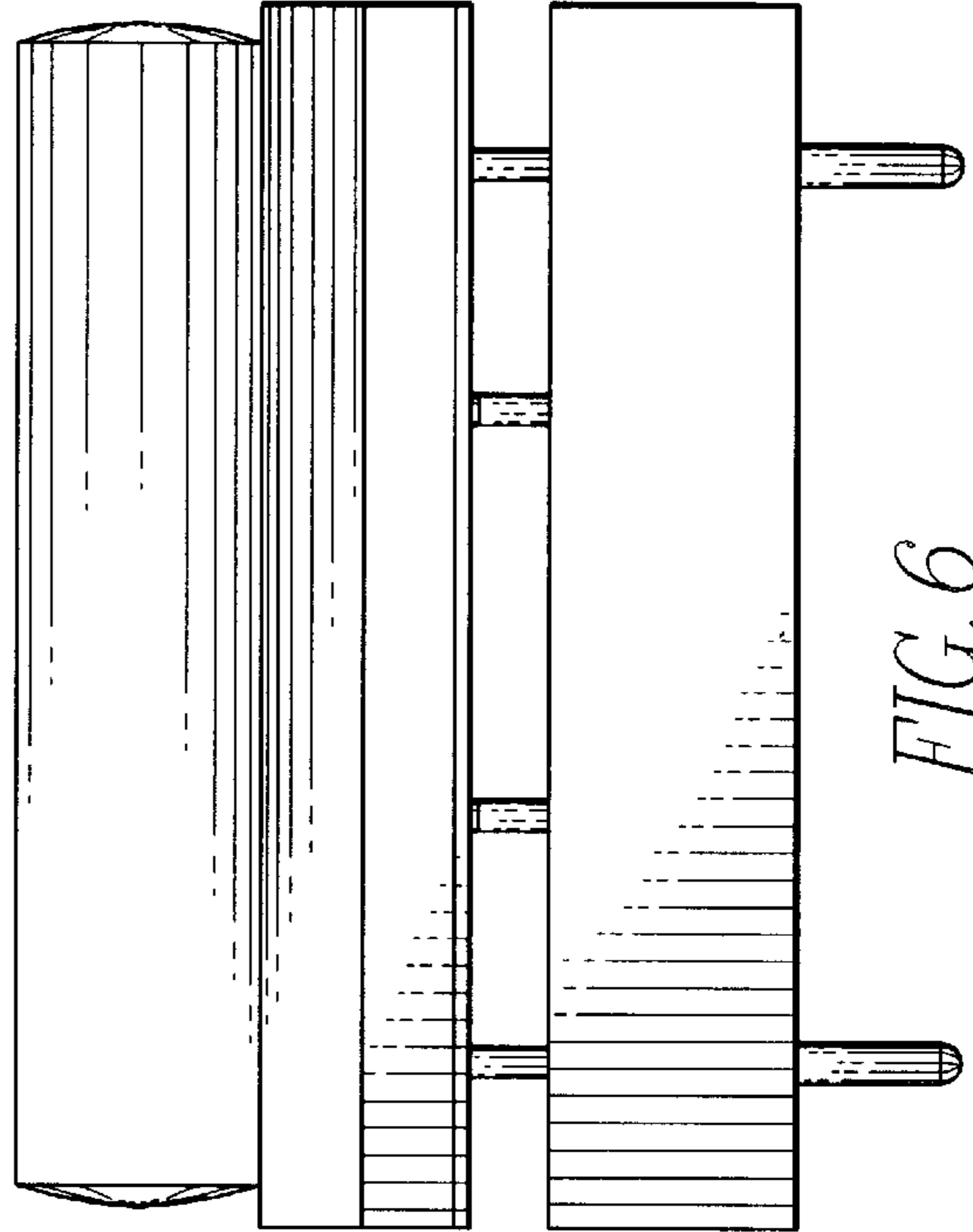


FIG. 6

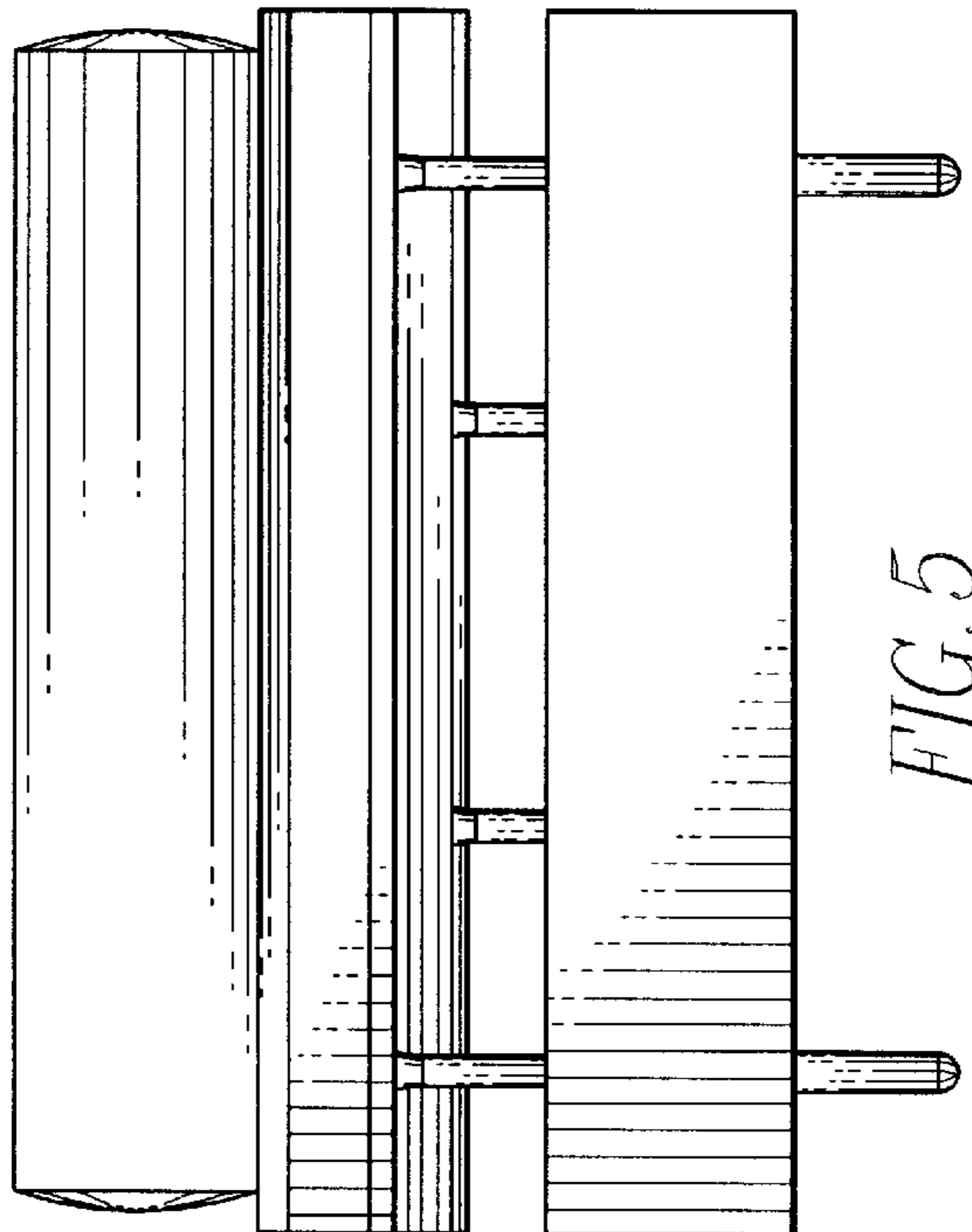


FIG. 5

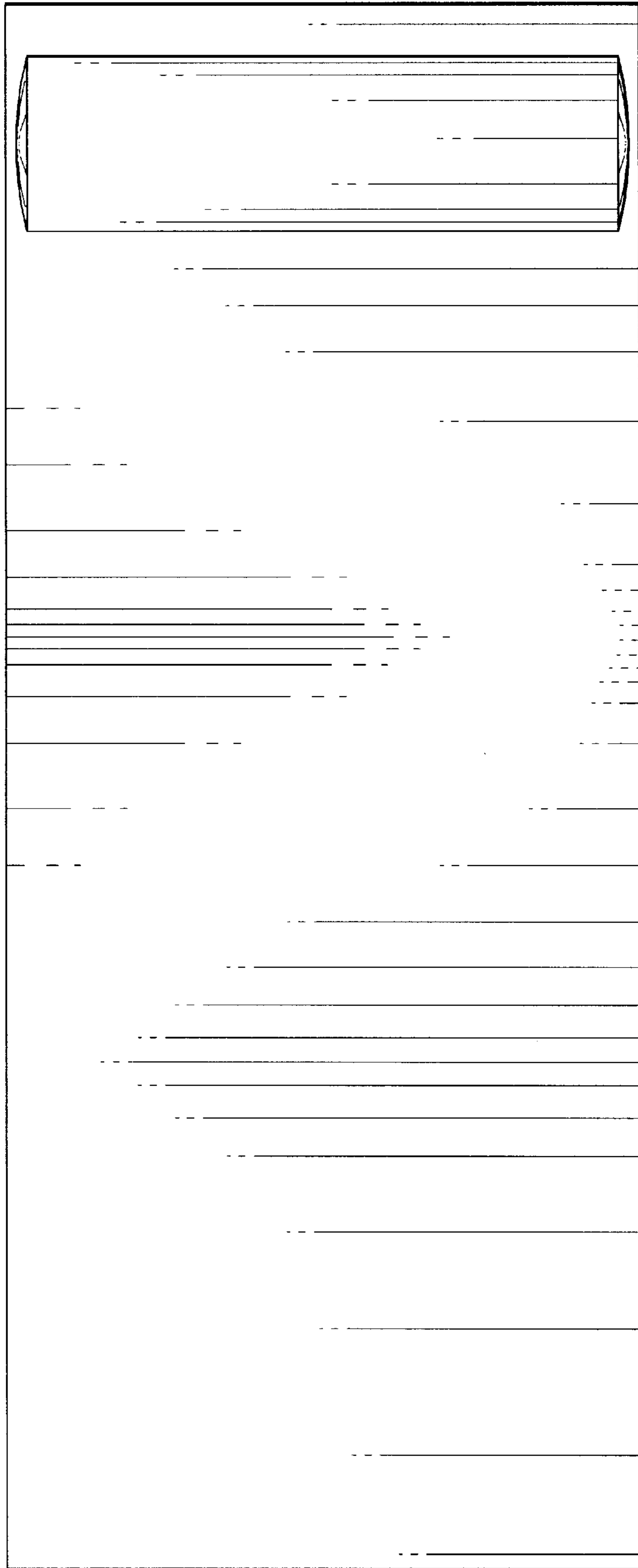


FIG. 3

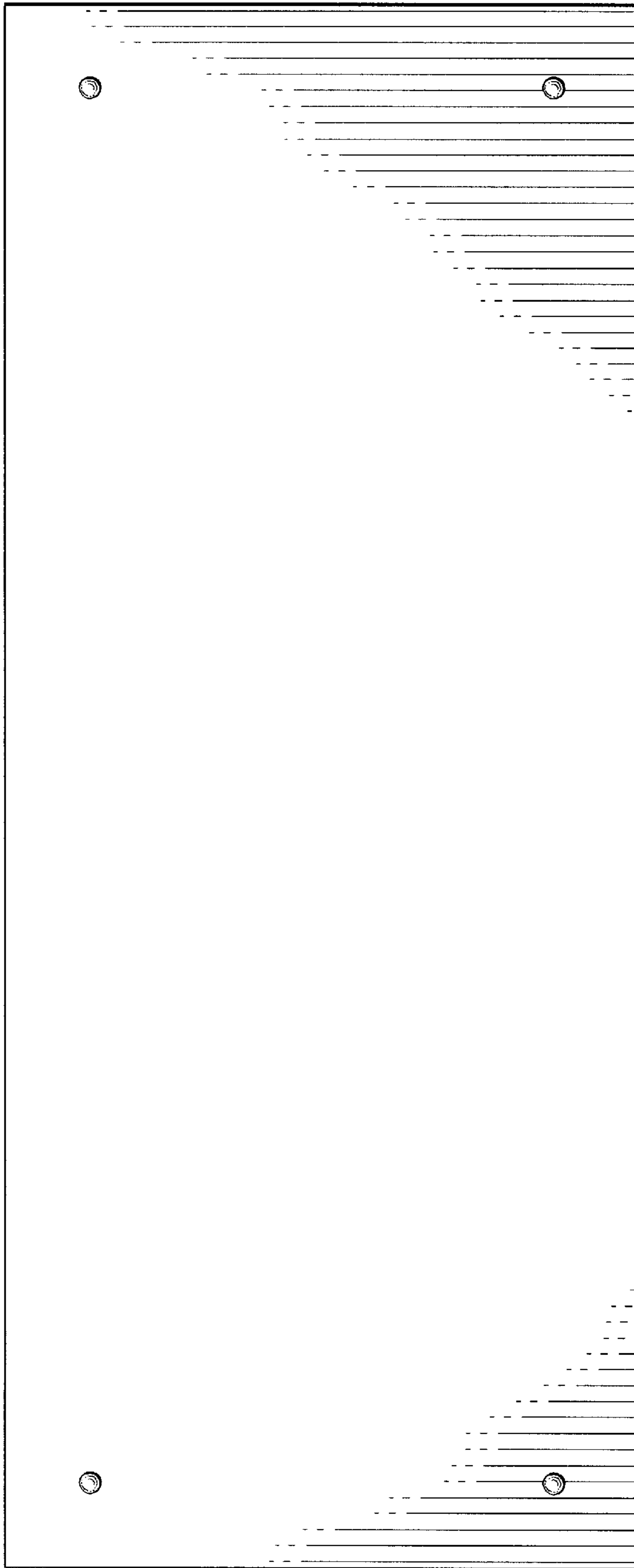


FIG. 4