



US00D406471S

United States Patent [19]
Trotter

[11] **Patent Number: Des. 406,471**

[45] **Date of Patent: **Mar. 9, 1999**

[54] **BICYCLE SEAT**

[76] Inventor: **Wayne Trotter**, 2700 SW. 16th St., Ft. Lauderdale, Fla. 33312

[**] Term: **14 Years**

[21] Appl. No.: **83,640**

[22] Filed: **Feb. 13, 1998**

[51] **LOC (6) Cl.** **06-01**

[52] **U.S. Cl.** **D6/354**

[58] **Field of Search** D6/354; D12/179; 297/195.1, 195.12

[56] **References Cited**

U.S. PATENT DOCUMENTS

D. 224,004	6/1972	Reilly	D12/179
D. 295,120	4/1988	Gordon	D6/354
D. 311,097	10/1990	Sunshine	D6/354
4,176,880	12/1979	Marchello	.	
4,613,187	9/1986	Gordon	.	
4,950,004	8/1893	Sunshine	.	

Primary Examiner—Melody N. Brown
Attorney, Agent, or Firm—Hunton & Williams

[57] **CLAIM**

The ornamental design of a bicycle seat, as shown and described.

DESCRIPTION

FIG. 1 is a side elevation of a first embodiment of the bicycle seat of the present invention;

FIG. 2 is a front elevation of a first embodiment of the bicycle seat of the present invention;

FIG. 3 is a top view of a first embodiment of the bicycle seat of the present invention;

FIG. 4 is a side view of a first embodiment of the bicycle seat of the present invention;

FIG. 5 is a bottom view of a first embodiment of the bicycle seat of the present invention;

FIG. 6 is a side elevation of a second embodiment of the bicycle seat of the present invention;

FIG. 7 is a rear elevation of a second embodiment of the bicycle seat of the present invention;

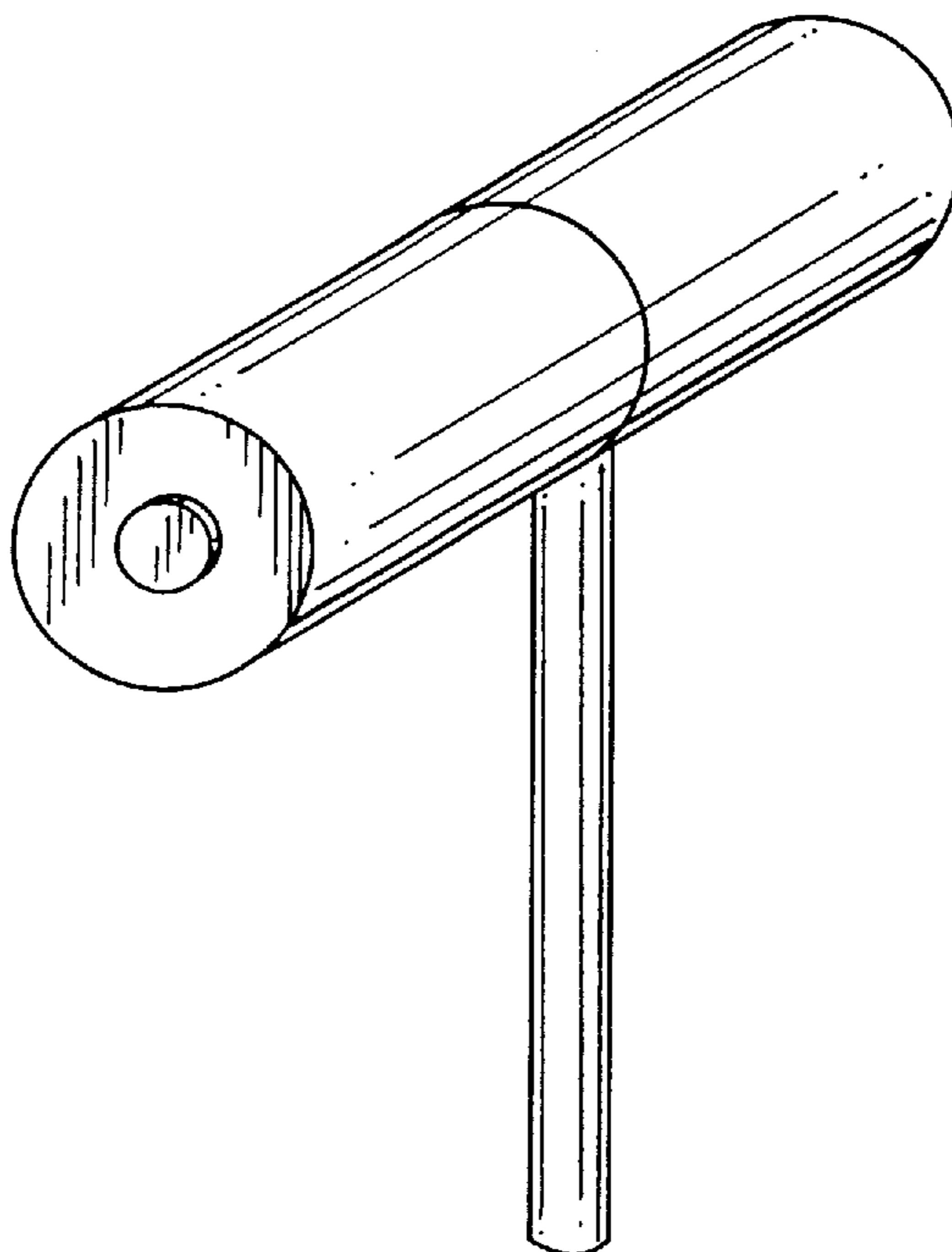
FIG. 8 is a front elevation of a second embodiment of the bicycle seat of the present invention;

FIG. 9 is a top view of a second embodiment of the bicycle seat of the present invention;

FIG. 10 is a side view of a second embodiment of the bicycle seat of the present invention; and,

FIG. 11 is a bottom view of a second embodiment of the bicycle seat of the present invention.

1 Claim, 4 Drawing Sheets



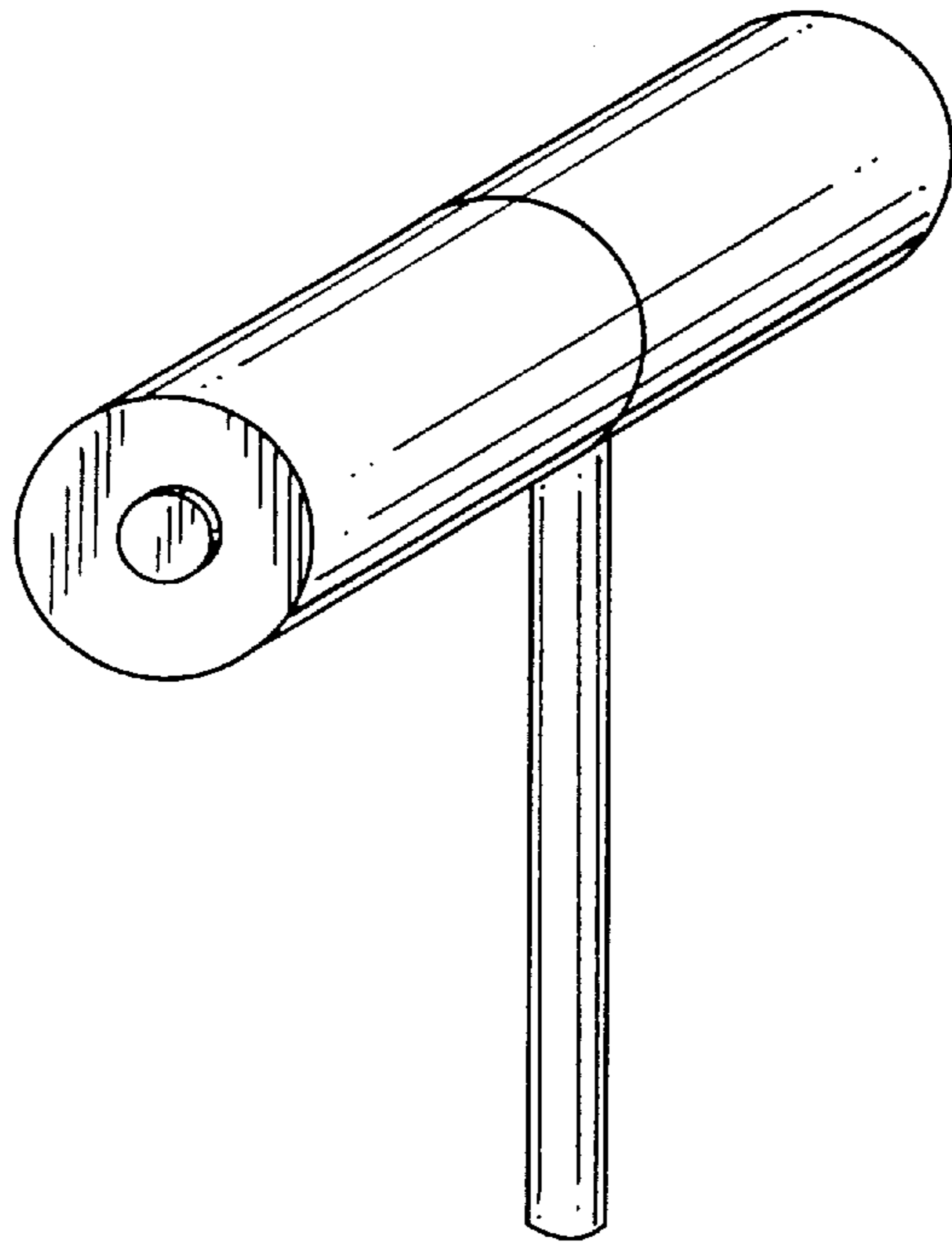


FIG. 1

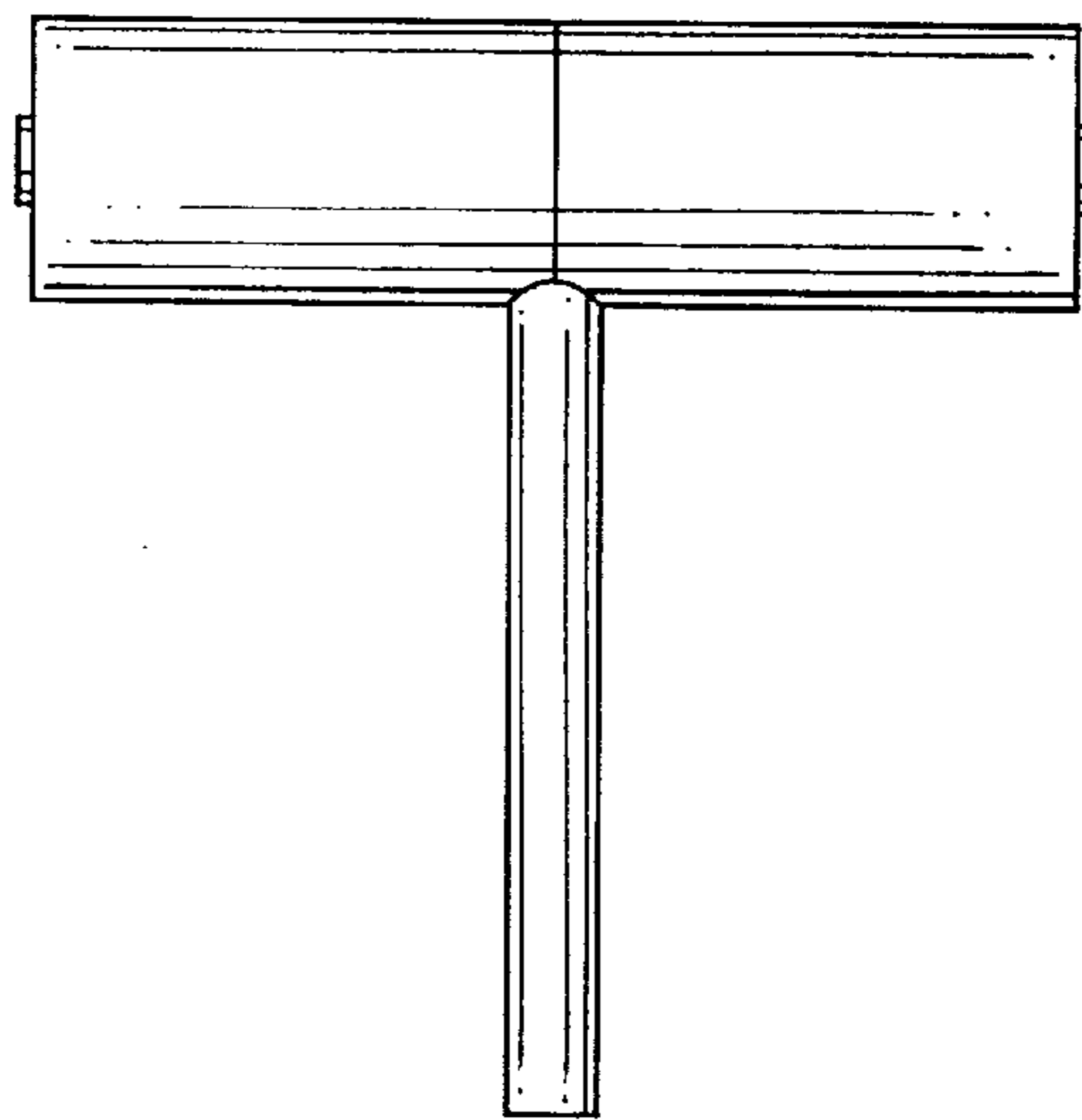


FIG. 2

FIG. 3

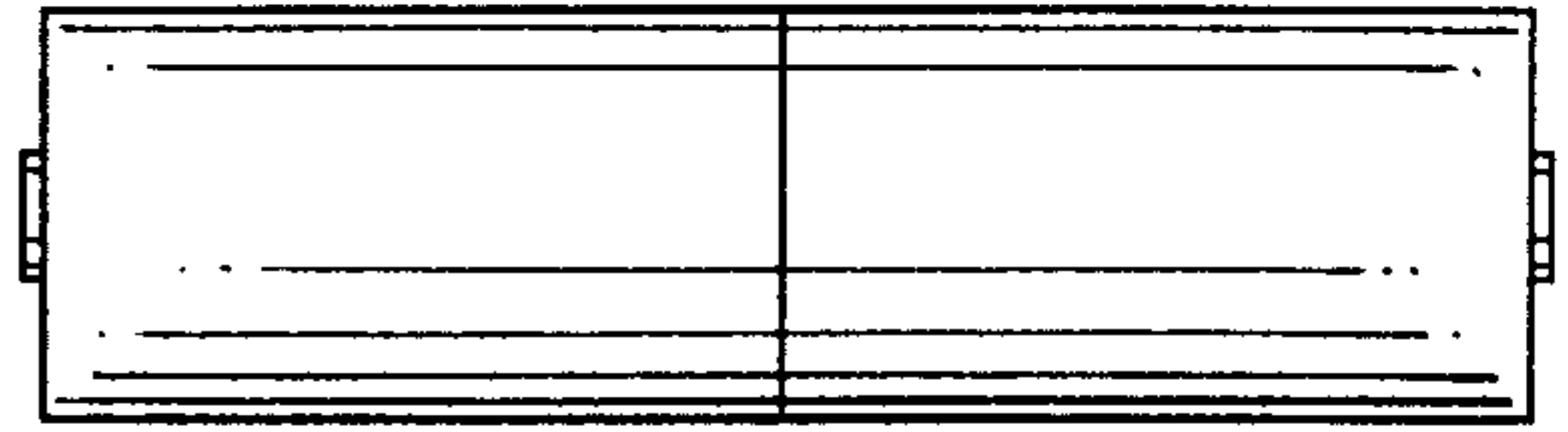


FIG. 4

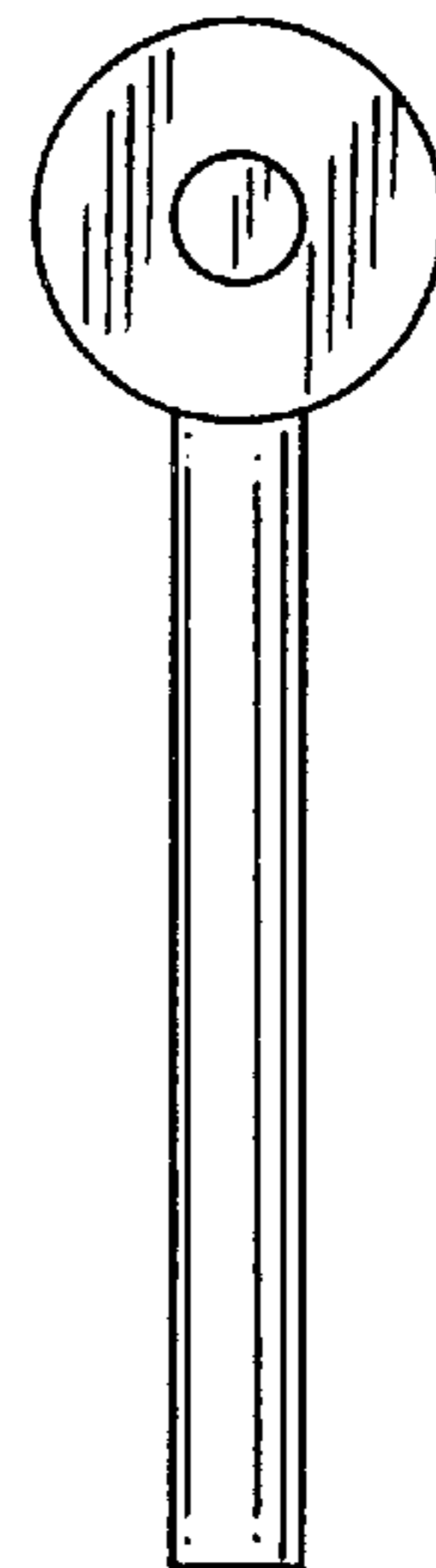
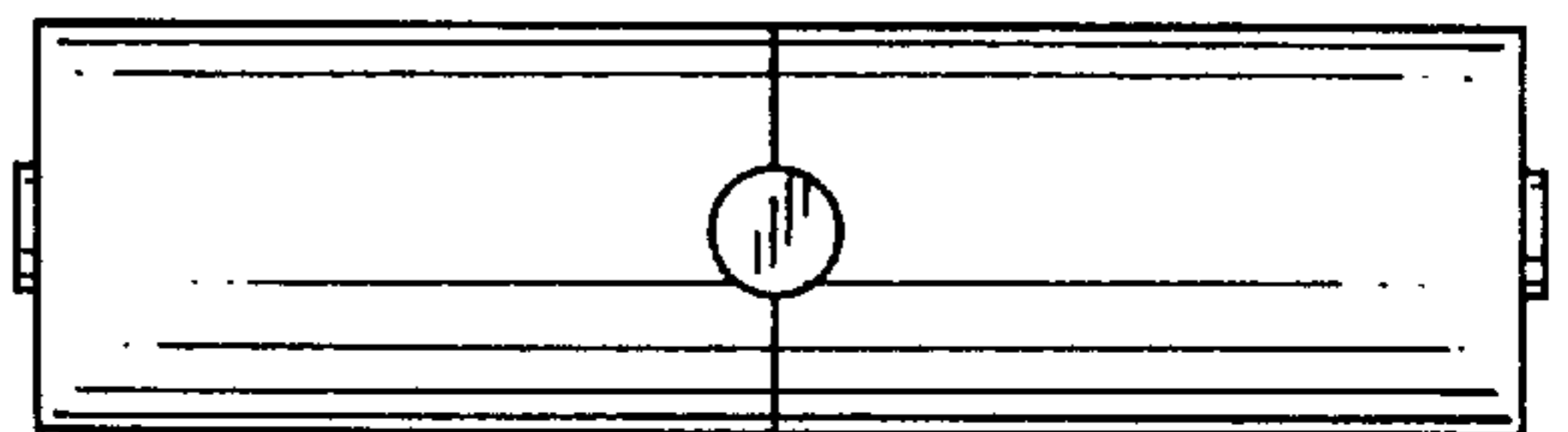


FIG. 5



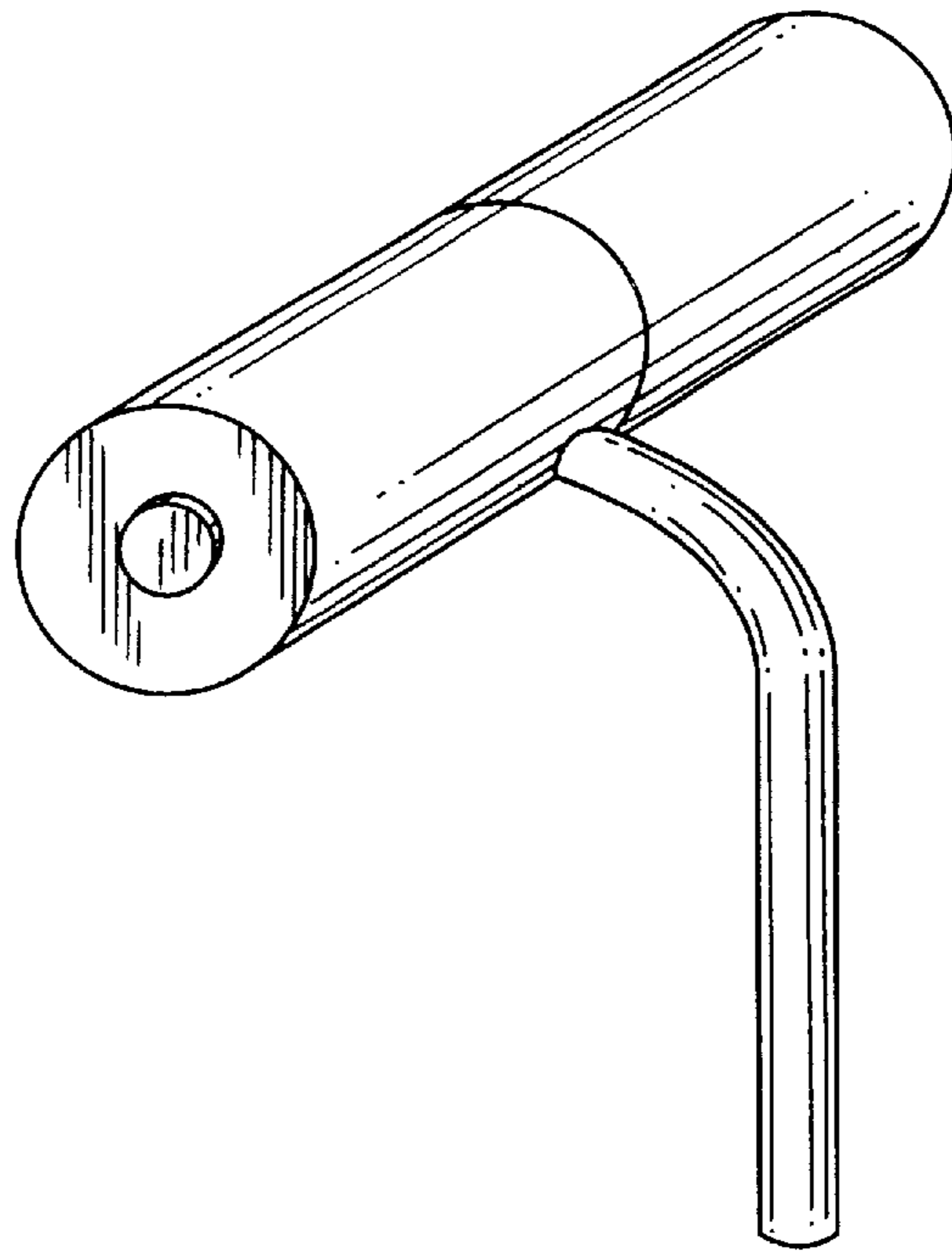


FIG. 6

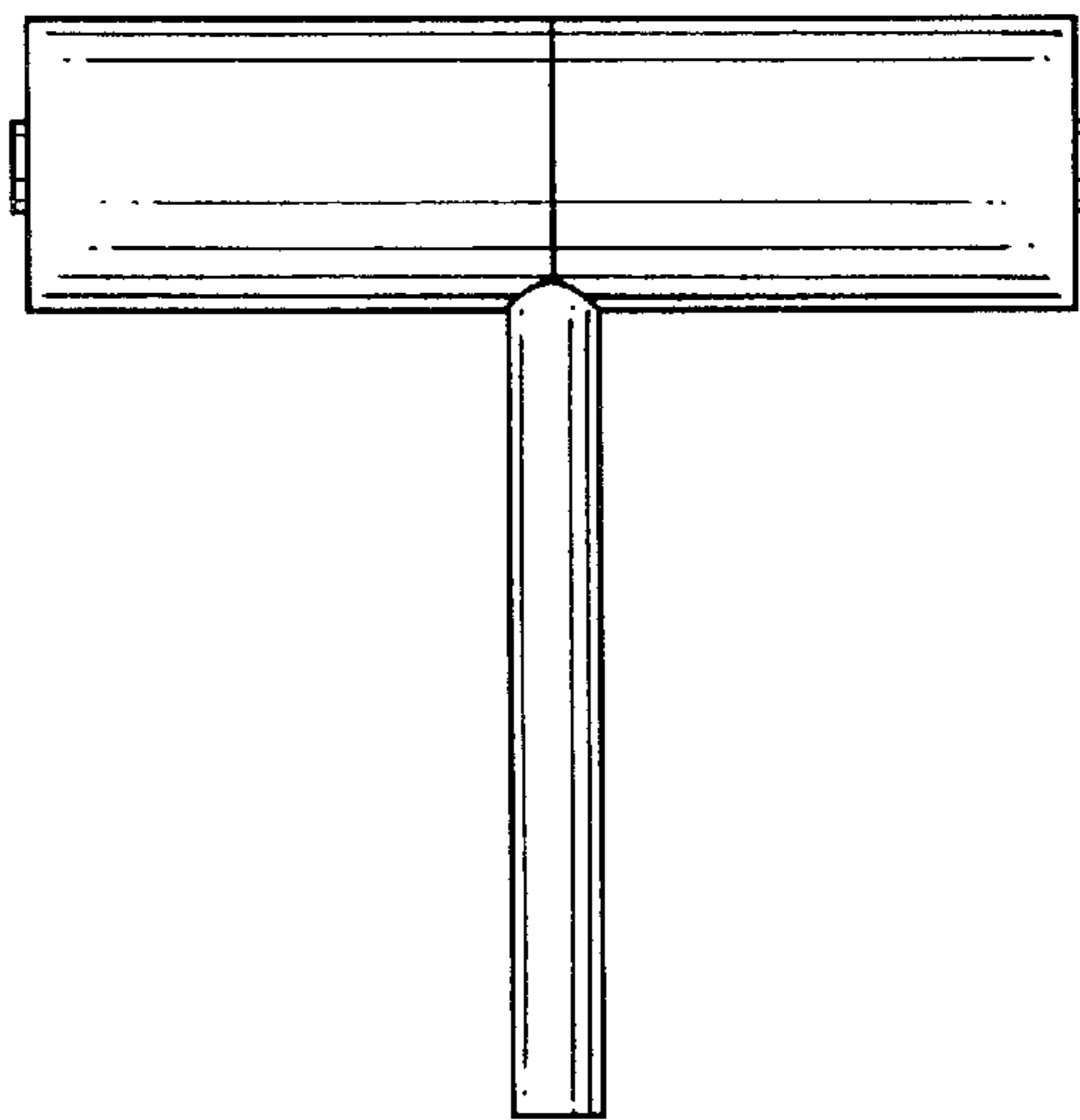


FIG. 7

FIG. 8

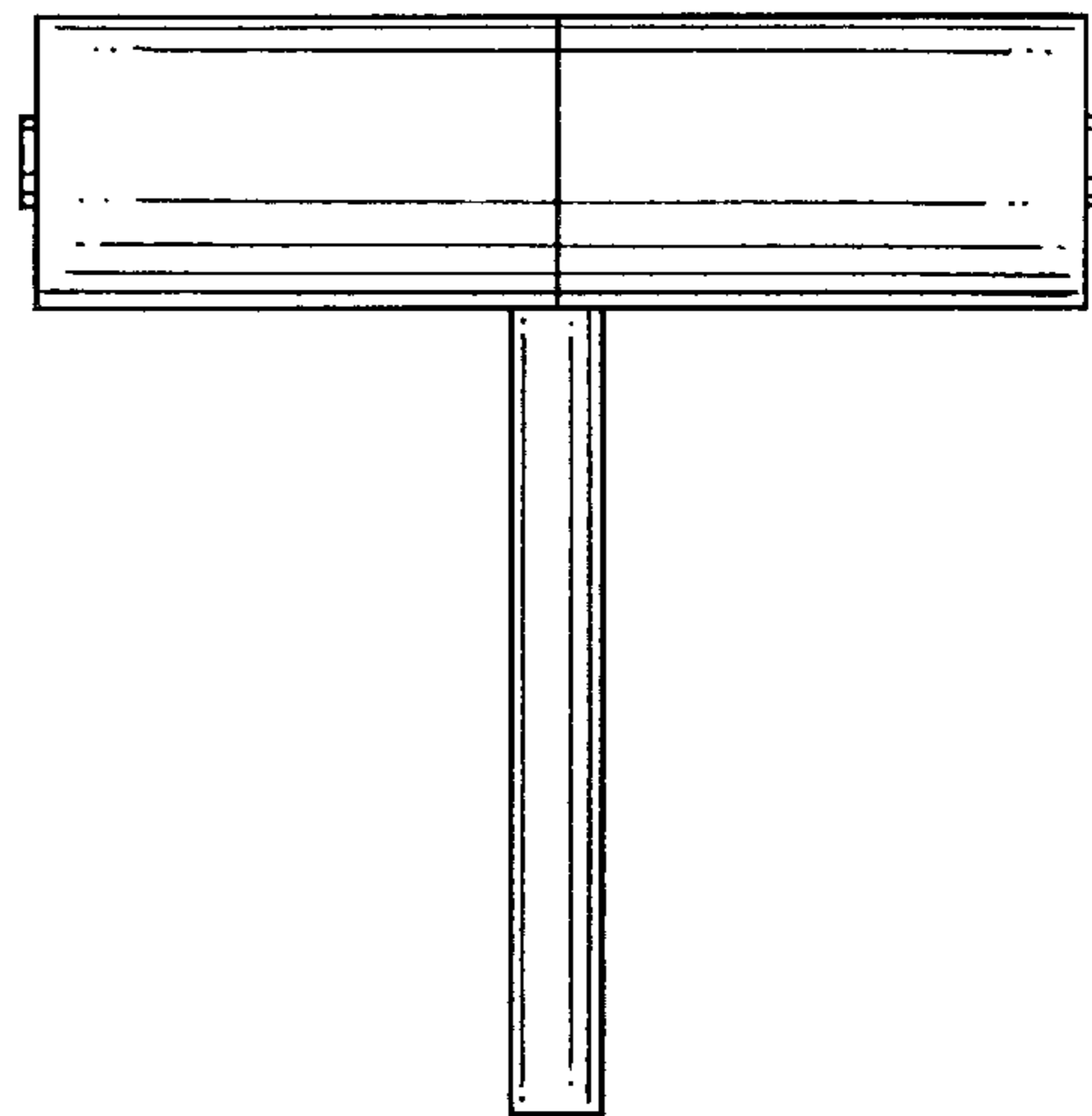


FIG. 9

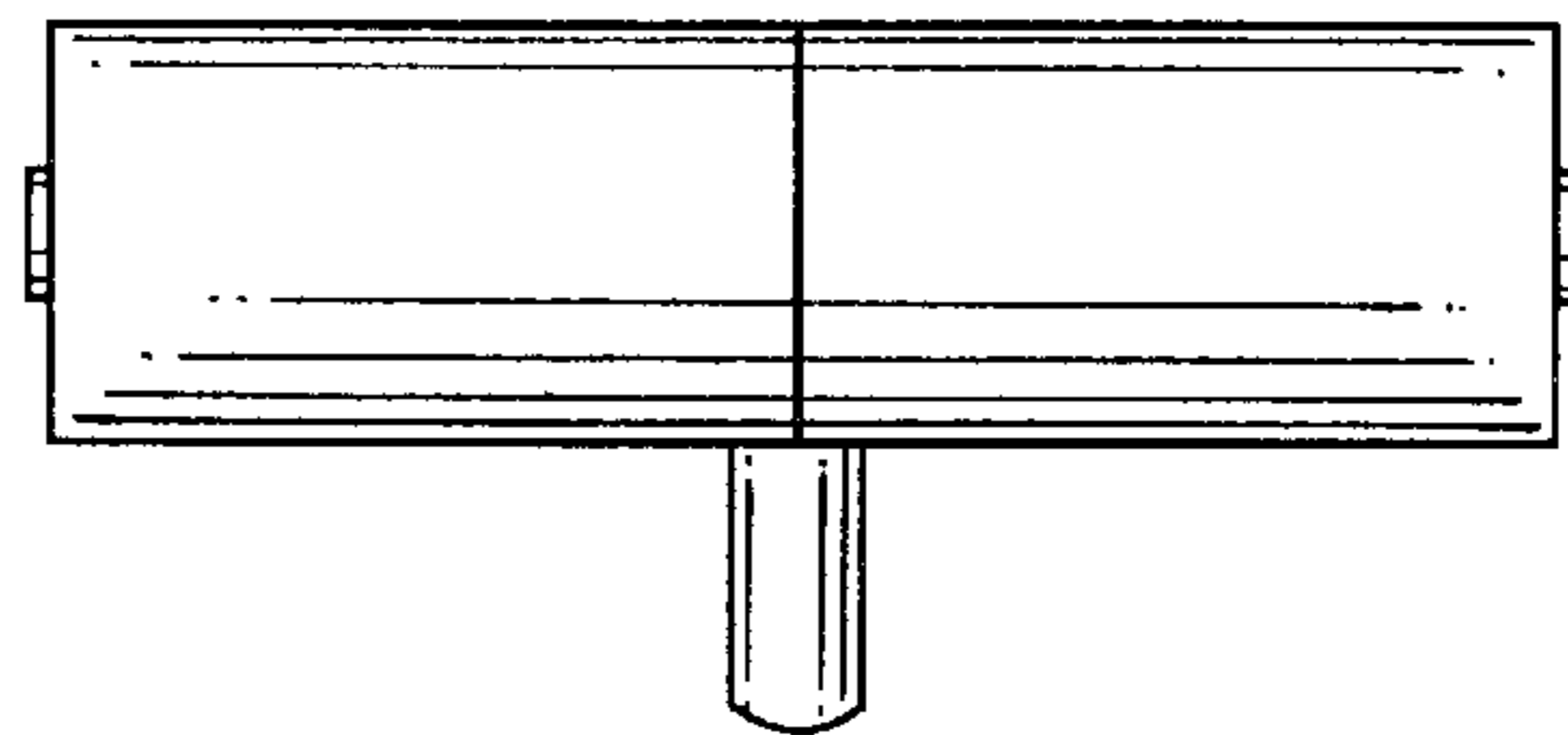


FIG. 10

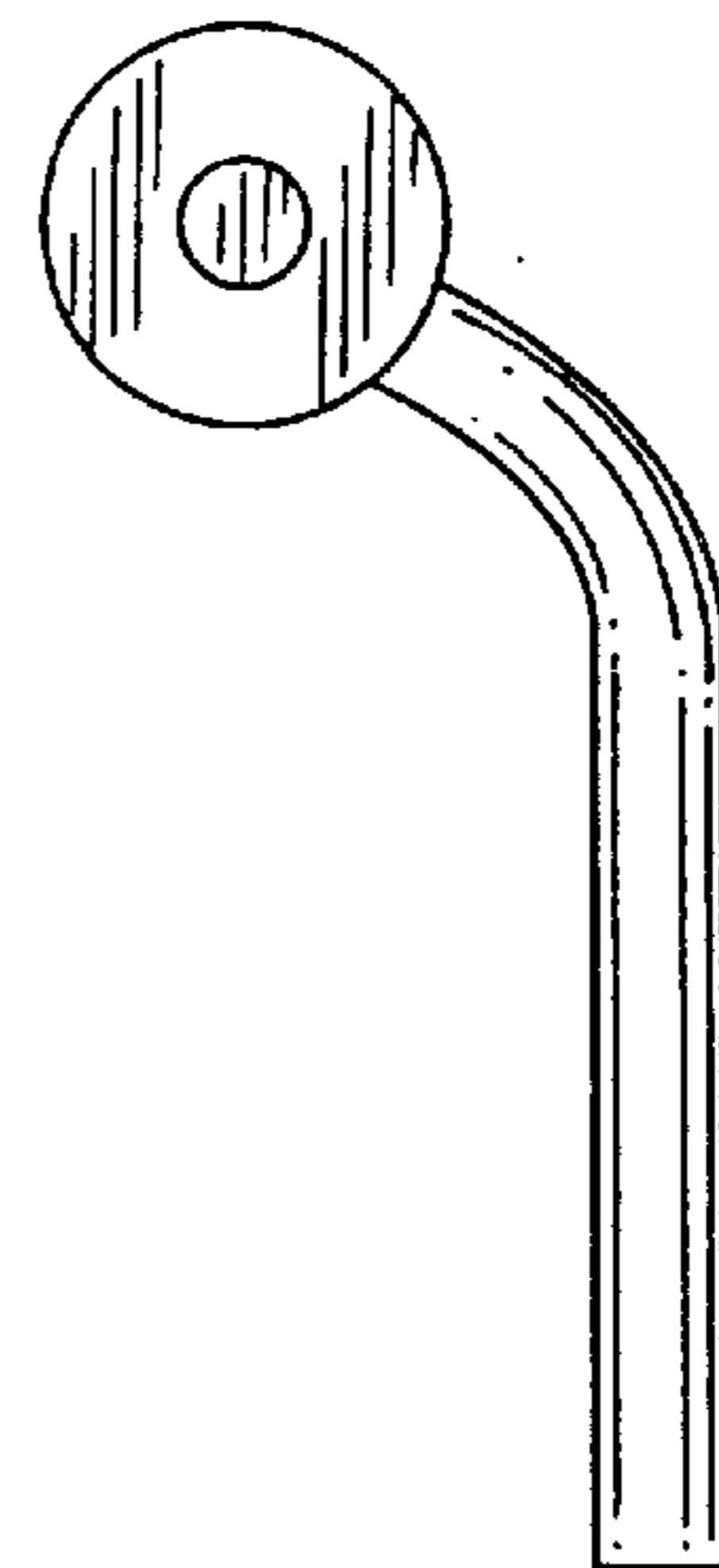


FIG. 11

