



US00D406468S

United States Patent [19] Byers

[11] **Patent Number: Des. 406,468**
[45] **Date of Patent: **Mar. 9, 1999**

[54] **RECONFIGURABLE CARD OR PHOTO
DISPLAY UNIT**

4,912,866 4/1990 Bannister et al. 40/605
4,989,353 2/1991 Astolfi 40/152.1
5,471,347 11/1995 Galiani 359/807

[76] Inventor: **Thomas L. Byers**, 5480 Stewart Dr.,
Mustang, Okla. 73064

[**] Term: **14 Years**

[21] Appl. No.: **82,891**

[22] Filed: **Jan. 30, 1998**

FOREIGN PATENT DOCUMENTS

882383 6/1943 France .
955158 12/1950 France .
391450 11/1961 Switzerland .

Primary Examiner—Janice E. Seeger
Attorney, Agent, or Firm—McAfee & Taft

Related U.S. Application Data

[63] Continuation of Ser. No. 370,867, Jan. 10, 1995.

[51] **LOC (6) Cl.** **06-07**

[52] **U.S. Cl.** **D6/312; D6/301; D6/332**

[58] **Field of Search** D6/300–302, 309–314,
D6/332; 40/700, 711, 714, 722, 727, 729–733,
735, 739, 745–749, 765, 779, 790, 798;
160/135, 351

[57] **CLAIM**

The ornamental design for a reconfigurable card or photo display unit, as shown and described.

DESCRIPTION

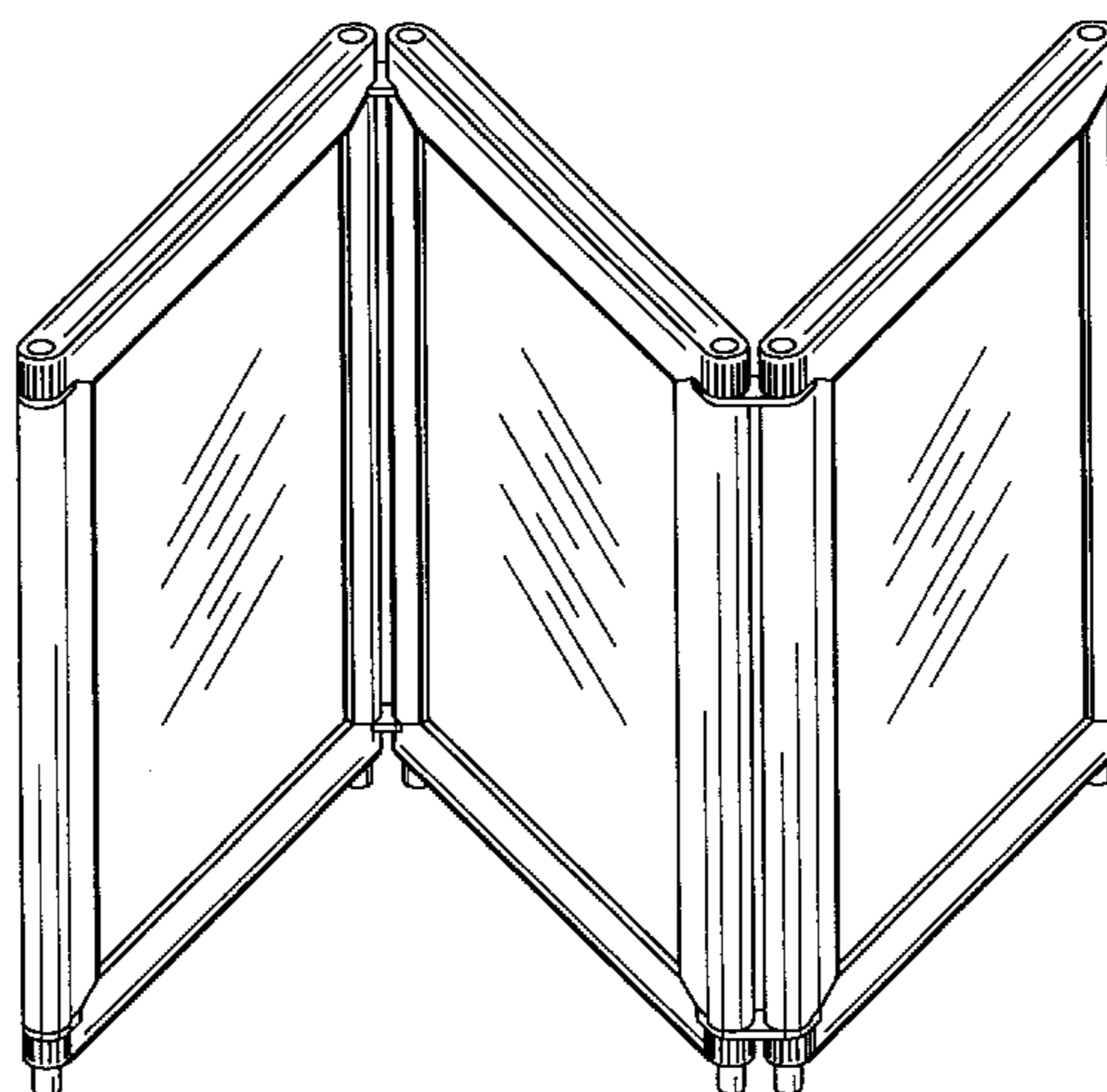
FIG. 1 is a perspective view showing the reconfigurable card or photo display unit in a display position;
FIG. 2 is a left-side elevational view thereof in the display position of FIG. 1, the right-side elevation view being identical thereto;
FIG. 3 is a top plan view of the card display unit in the display position of FIG. 1;
FIG. 4 is a bottom plan view thereof in the display position of FIG. 1;
FIG. 5 is a front elevational view of the card display unit in the display position of FIG. 1, with the rear elevational view being identical thereto;
FIG. 6 is a left-side elevation view of the card display unit in a folded position, the right-side elevation view being identical thereto;
FIG. 7 is a front elevational view of the card display unit in a completely folded position, the rear elevational view thereof being identical thereto;
FIG. 8 is a top plan view of the card display unit in the completely folded position;
FIG. 9 is a bottom plan view of the card display unit in a completely folded position;
FIG. 10 is a front elevational view of the card display unit in a fully expanded position; and,
FIG. 11 is a left-side elevational view thereof with a completely expanded position, the right-side elevation view being identical thereto.

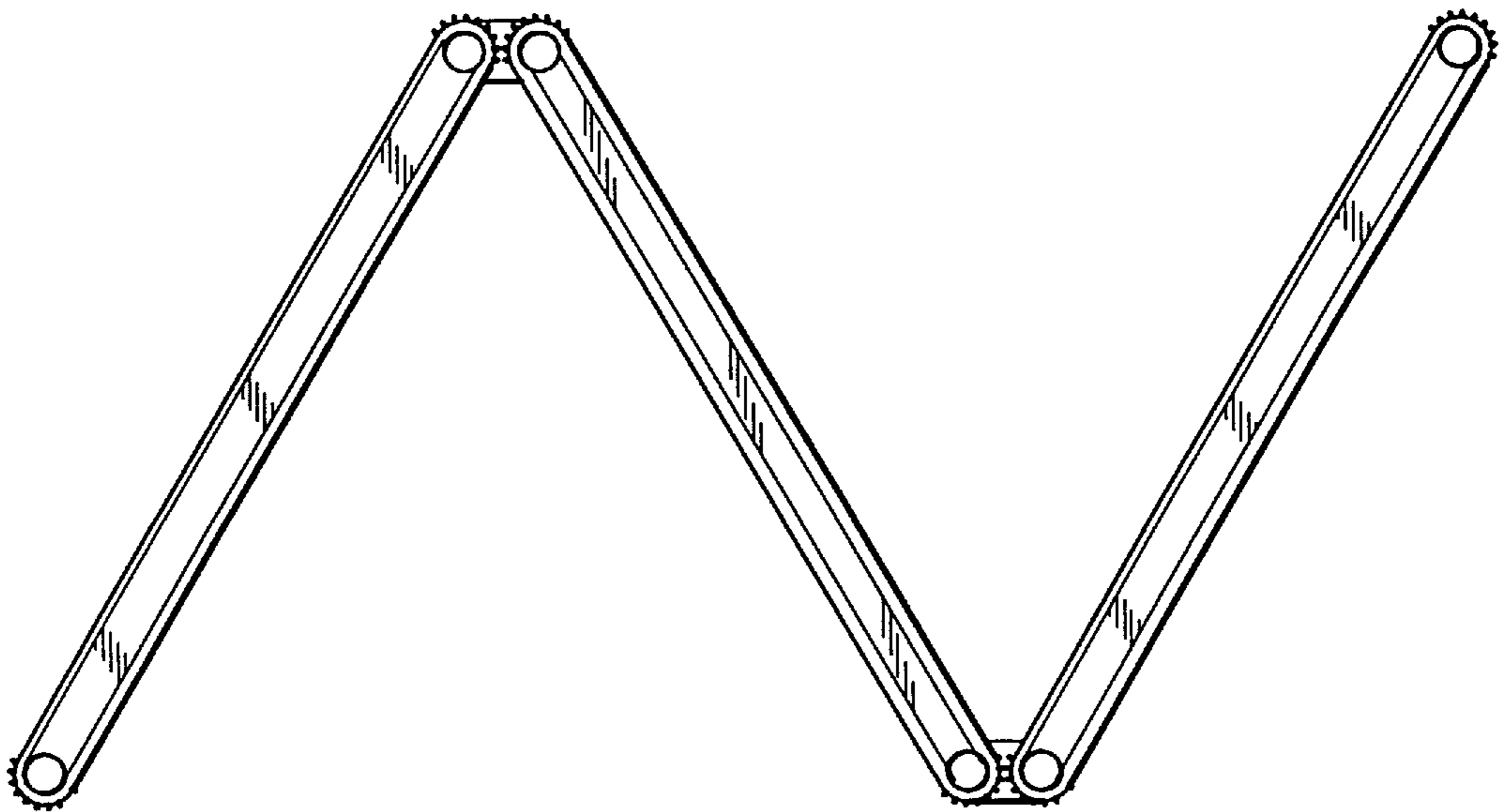
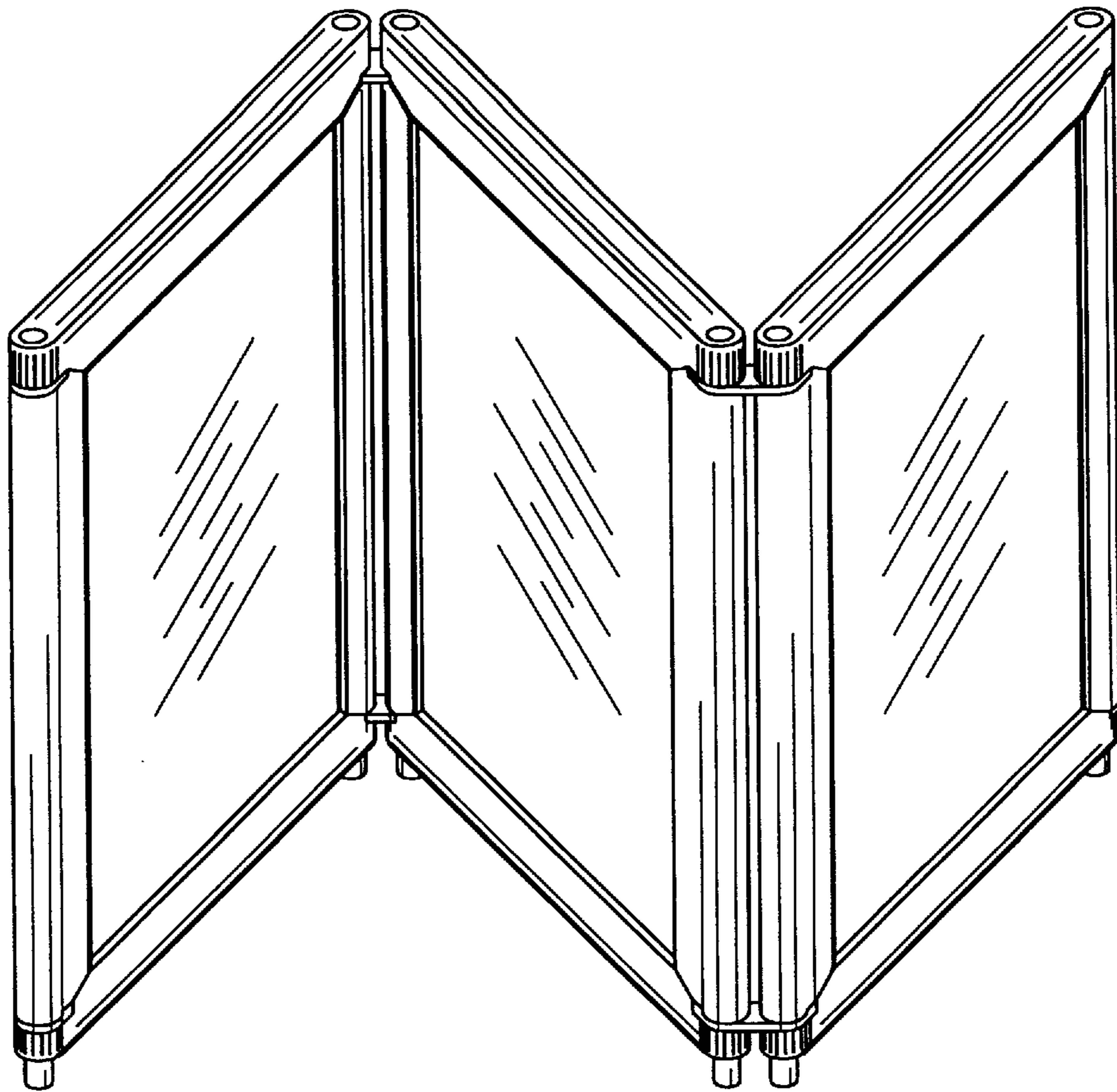
[56] **References Cited**

U.S. PATENT DOCUMENTS

D. 142,985	11/1945	Brown	D6/301
224,973	2/1880	Wallis	.	
739,019	9/1903	McGinn	.	
2,823,472	2/1958	Waller et al.	40/64
3,132,432	5/1964	Yee	40/152.1
3,292,285	12/1966	Kitayama	40/64
3,339,302	9/1967	Mallory	40/152
3,426,913	2/1969	Abatiell, Jr.	211/177
3,428,108	2/1969	Singer	160/135
3,471,959	10/1969	Seeger	40/152
3,673,724	7/1972	Bell et al.	40/152
3,722,122	3/1973	Sesto	40/152
3,952,435	4/1976	Olsen	40/152.1
4,017,989	4/1977	Murray	40/152
4,043,477	8/1977	Deese	220/23.4
4,115,938	9/1978	Belmuth et al.	40/152
4,261,122	4/1981	LeVine	40/152
4,271,618	6/1981	Lyman	40/152
4,330,952	5/1982	Swanson	40/155
4,432,152	2/1984	Daenen	40/152.1
4,532,727	8/1985	Klose et al.	40/152
4,706,397	11/1987	Hesener	40/152
4,729,183	3/1988	Tarter et al.	40/152

1 Claim, 5 Drawing Sheets





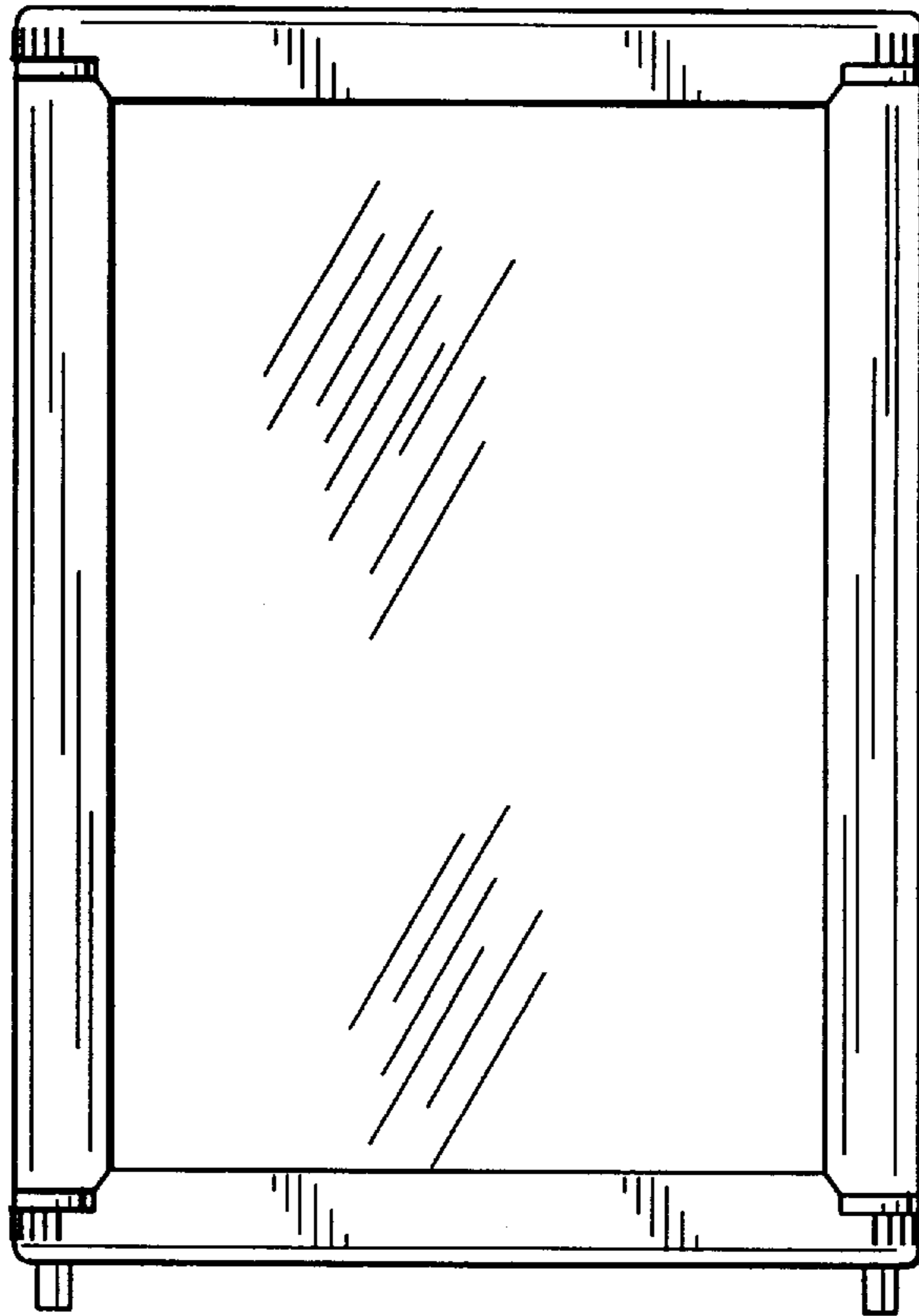


FIG. 1

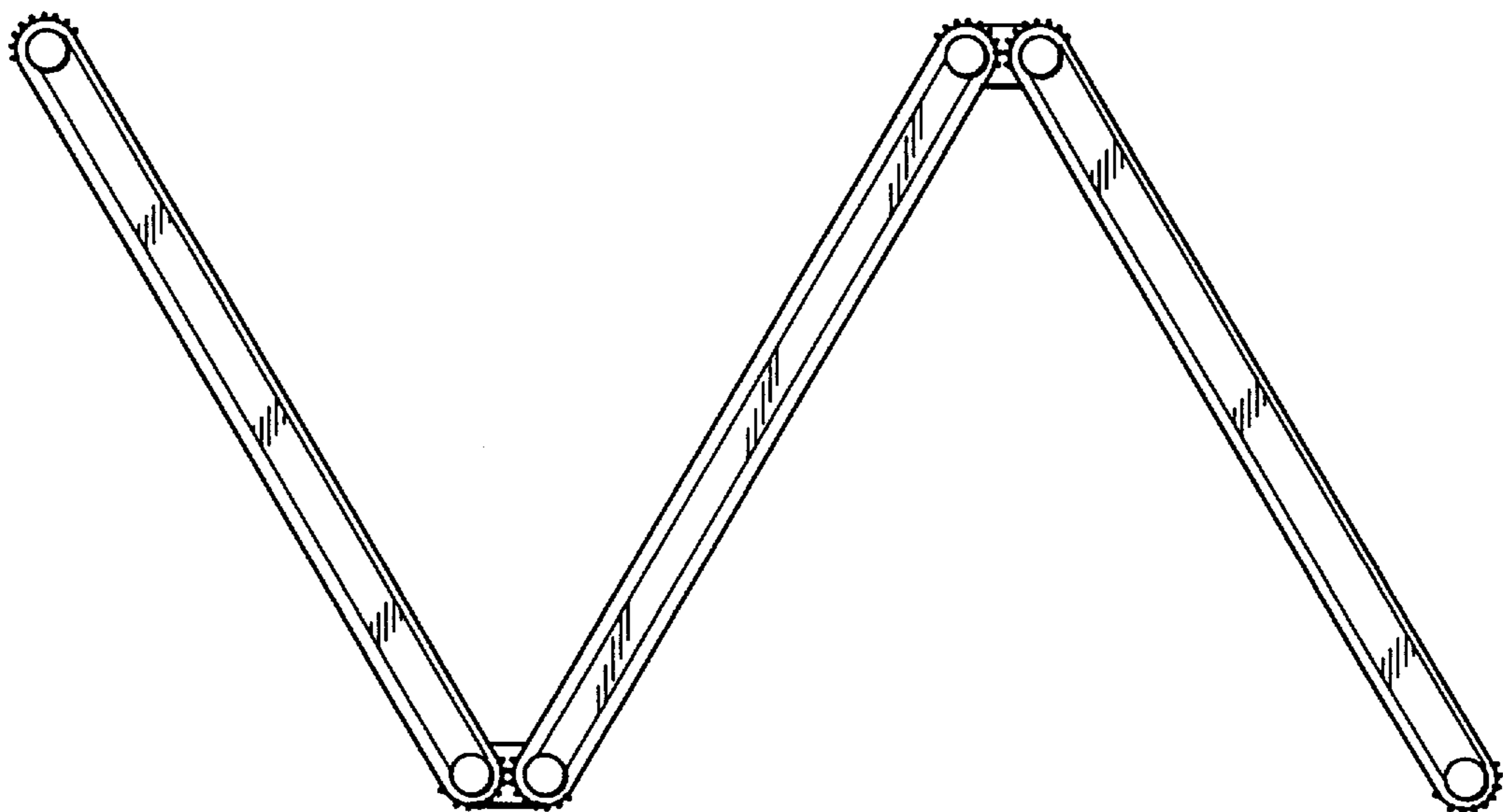


FIG. 2

