



US00D406467S

United States Patent [19]

Michael

[11] **Patent Number:** **Des. 406,467**

[45] **Date of Patent:** ****Mar. 9, 1999**

[54] **NATURAL WOOD PICTURE FRAME
HAVING ADHESIVE WITH PEELABLE
COVER**

[76] Inventor: **Arnold Michael**, 12691 NW. 11 Pl.,
Sunrise, Fla. 33323

[**] Term: **14 Years**

[21] Appl. No.: **83,526**

[22] Filed: **Feb. 9, 1998**

[51] **LOC (6) Cl.** **06-07**

[52] **U.S. Cl.** **D6/300**

[58] **Field of Search** D6/300-314; D11/133,
D11/132; D20/29, 40; 40/700, 711, 720,
735, 765, 780, 790, 791, 798, 799

[56] **References Cited**

U.S. PATENT DOCUMENTS

46,008	1/1865	Mayhew .	
D. 208,556	9/1967	Ebner	D11/133
D. 228,720	10/1973	Cowan	D6/300
236,244	1/1881	Nurre .	
D. 243,378	2/1977	Tharp .	
D. 282,355	1/1986	Hartzell	D11/132
D. 354,627	1/1995	Rowan	D6/300
561,480	6/1896	Booth .	
1,620,046	6/1927	Van Diest .	
3,024,553	3/1962	Rowley .	
3,341,961	9/1967	Shanks .	
3,416,765	12/1968	Ebner .	
3,687,770	8/1972	Chase .	
3,822,495	7/1974	Ohfuji .	
3,847,325	11/1974	Nasalski et al. .	
3,893,252	7/1975	Chase .	
4,023,292	5/1977	Shibata et al. .	

4,117,613	10/1978	Hosker .
4,777,746	10/1988	Brooks .
4,825,574	5/1989	George .
4,953,780	9/1990	Ross .
5,032,436	7/1991	Gustafson .
5,201,133	4/1993	Best et al. .
5,279,692	1/1994	Best et al. .
5,342,665	8/1994	Krawitz .
5,364,671	11/1994	Gustafson .

Primary Examiner—Janice E. Seeger
Attorney, Agent, or Firm—Howson and Howson

[57] **CLAIM**

The ornamental design for the natural wood picture frame having adhesive with peelable cover is, as shown and described.

DESCRIPTION

FIG. 1 is a perspective view of a natural wood picture frame with a peelable cover embodying my new design;
 FIG. 2 is a front elevational view of the picture frame with peelable cover of FIG. 1;
 FIG. 3 is a top plan view of the picture frame with peelable cover of FIG. 1, the bottom plan view being a mirror image thereof;
 FIG. 4 is a right side elevational view of the picture frame with peelable cover of FIG. 1, the left side elevational view being a mirror image thereof;
 FIG. 5 is a rear elevational view of the picture frame of FIG. 1;
 FIG. 6 is a perspective view of the picture frame of FIG. 1 with the cover peeled away; and,
 FIG. 7 is a perspective view of an alternate embodiment of a picture frame with peelable cover.

1 Claim, 3 Drawing Sheets

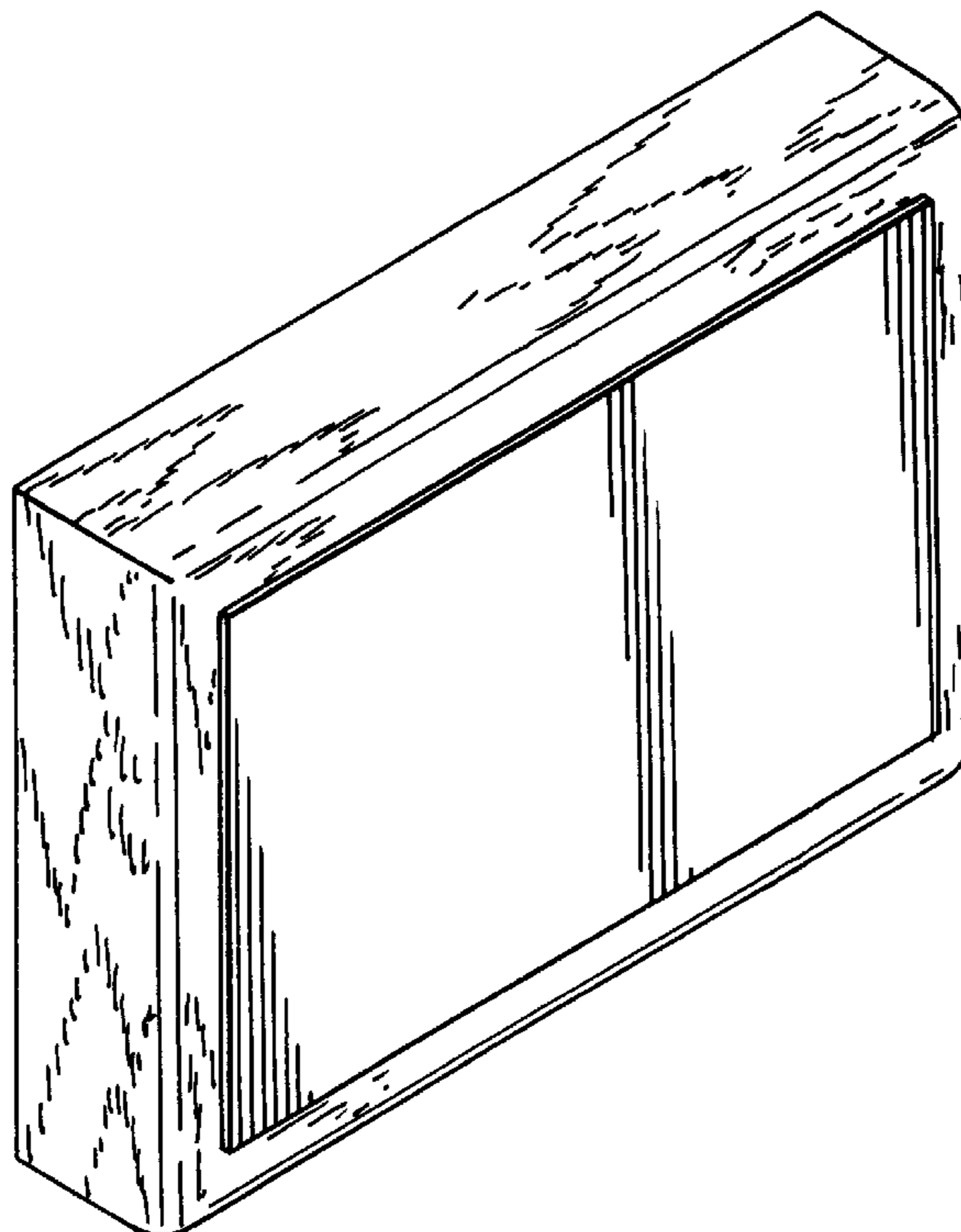


FIG. 1

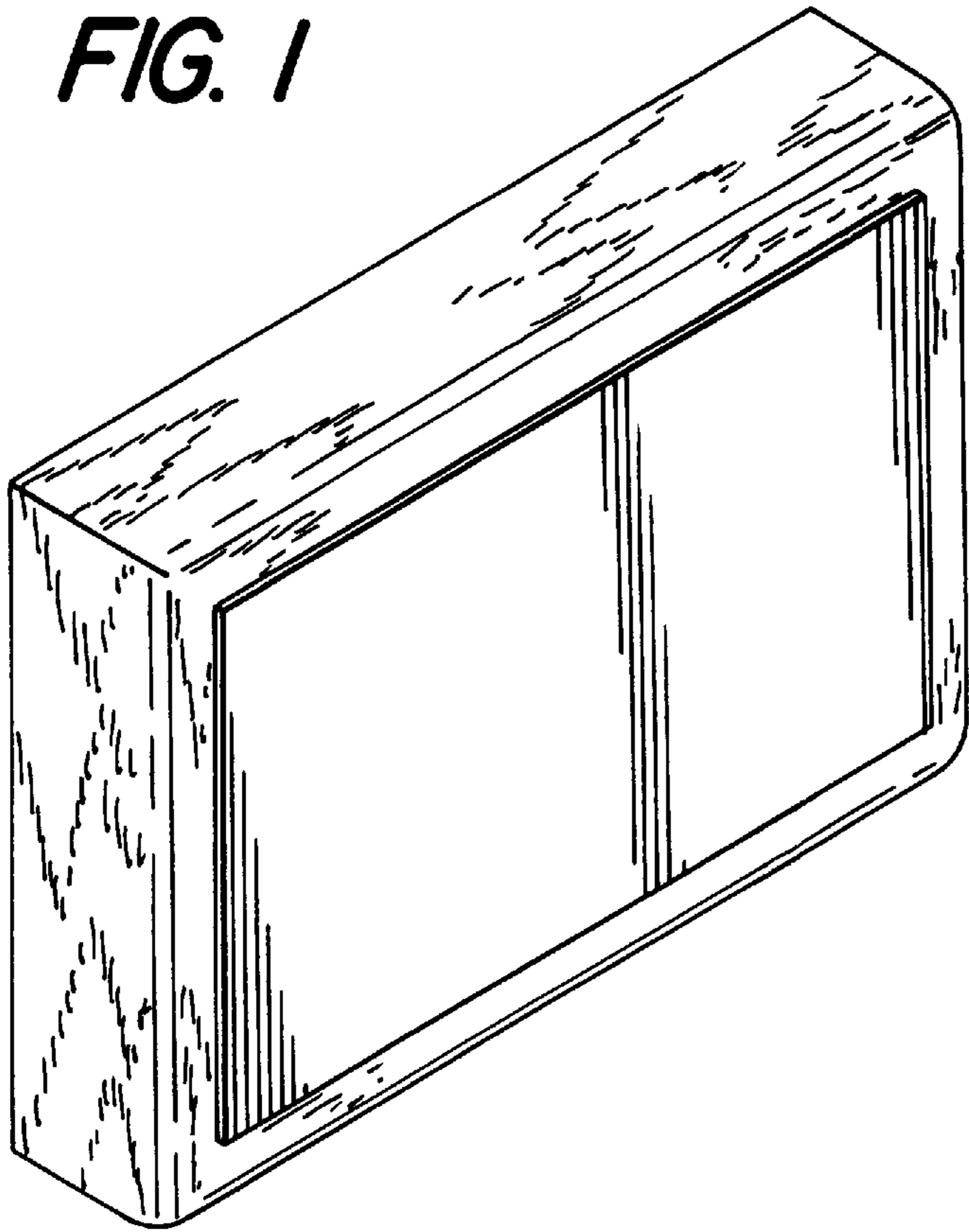


FIG. 2

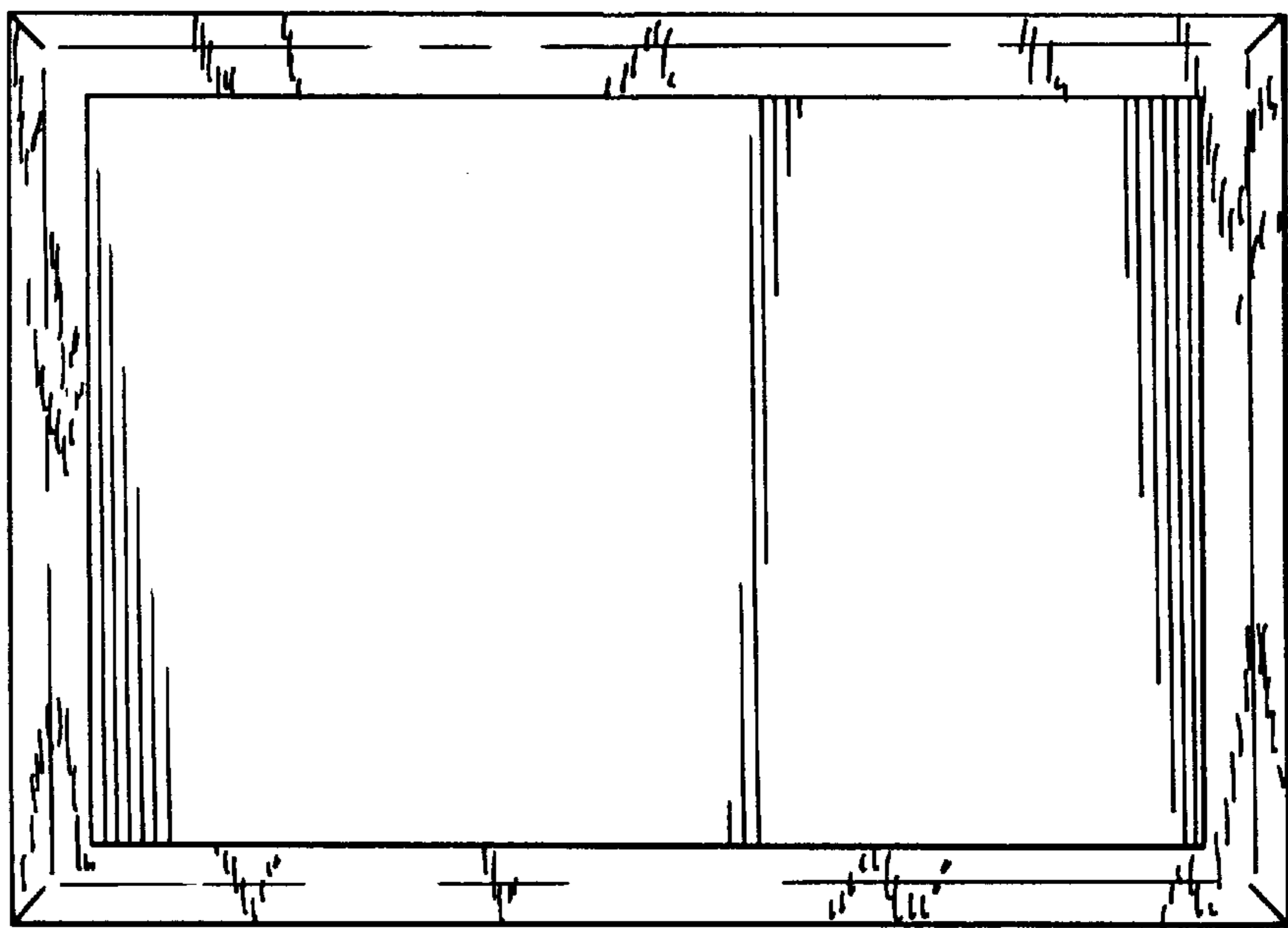


FIG. 3

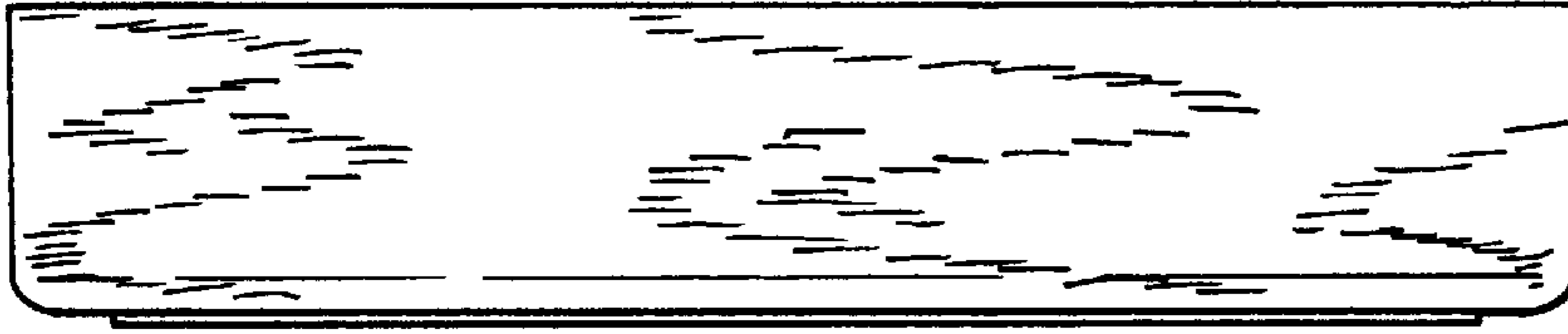


FIG. 4



FIG. 5

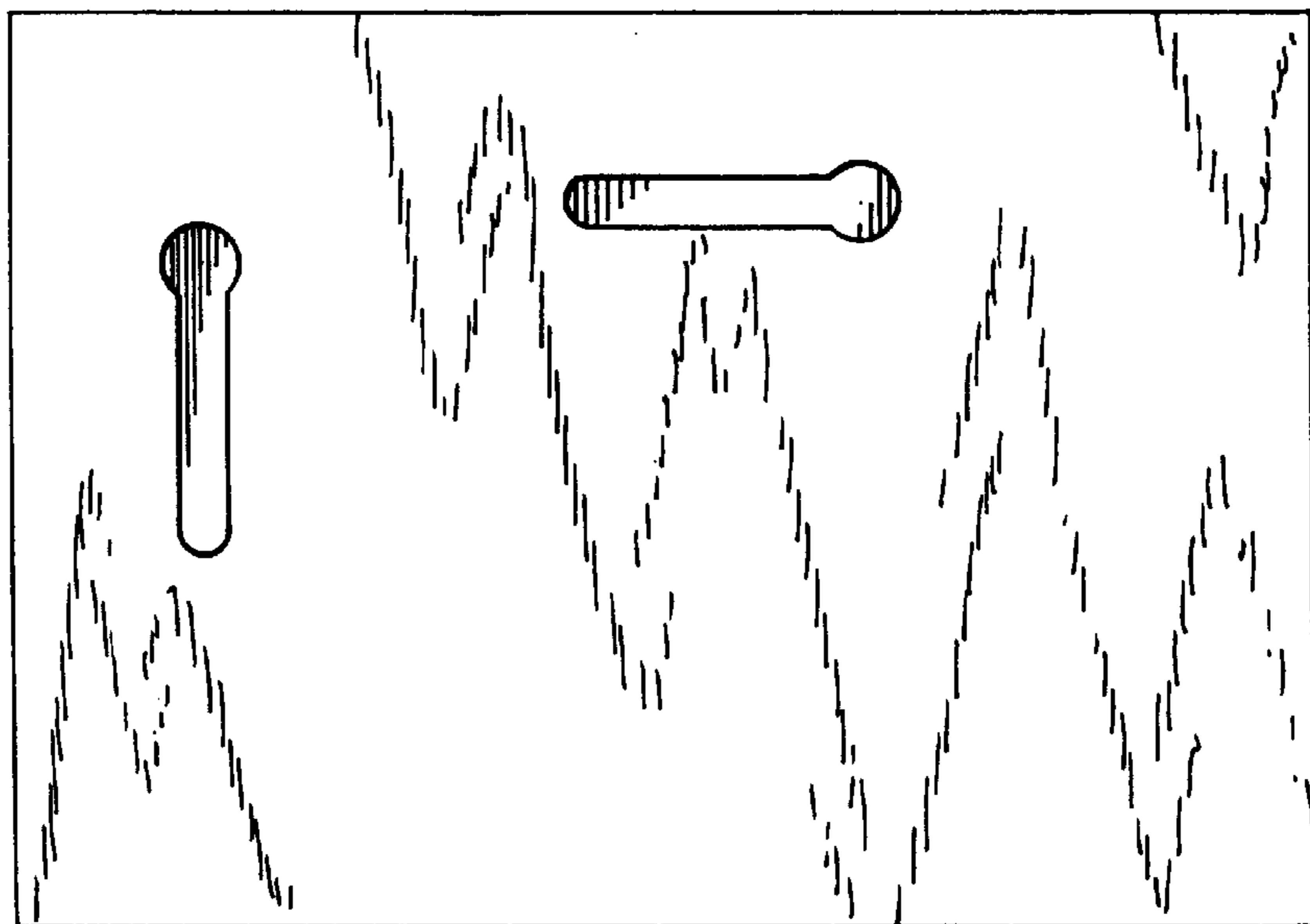


FIG. 6

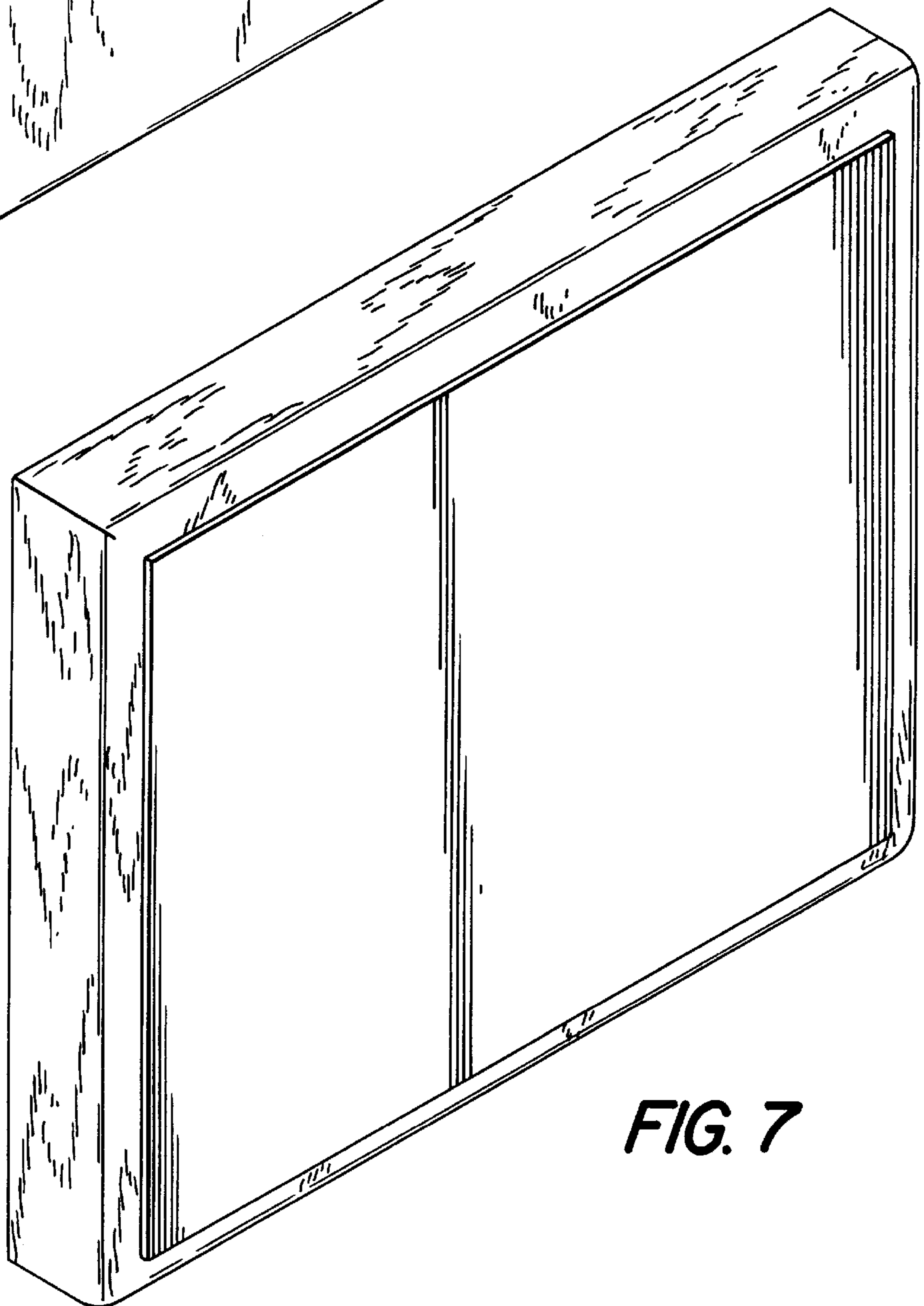
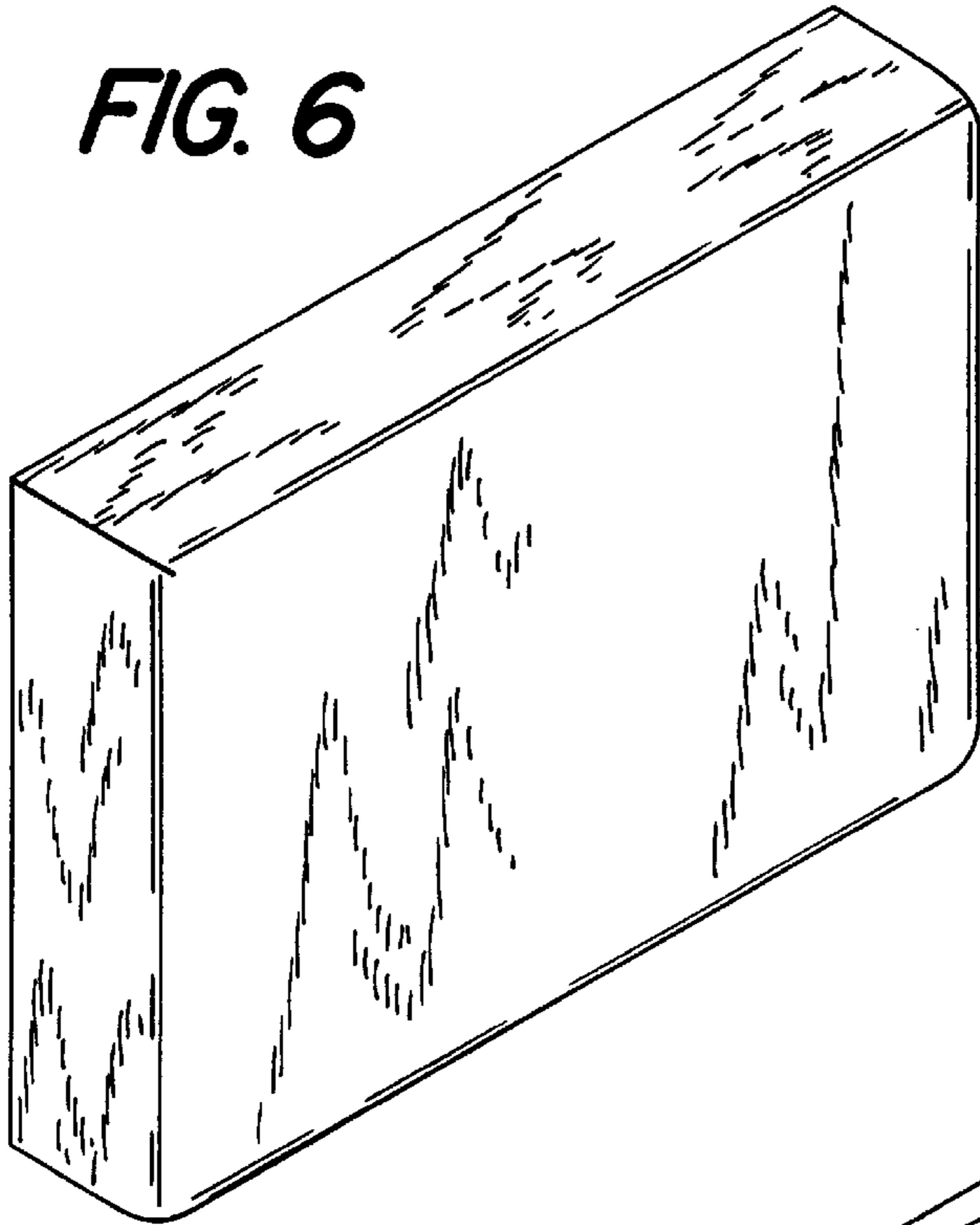


FIG. 7