



US00D406466S

# United States Patent [19]

Keller et al.

[11] Patent Number: **Des. 406,466**

[45] Date of Patent: **\*\*Mar. 9, 1999**

[54] **MIRROR**

[75] Inventors: **H. Thomas Keller**, High Point; **Scott M. Risdon**, Greensboro, both of N.C.

[73] Assignee: **Vaughan Furniture Company, Inc.**, Galax, Va.

[\*\*] Term: **14 Years**

[21] Appl. No.: **77,902**

[22] Filed: **Oct. 14, 1997**

[51] **LOC (6) Cl.** ..... **06-07**

[52] **U.S. Cl.** ..... **D6/300; D6/303**

[58] **Field of Search** ..... D6/300-314, 444; 248/469; 40/745, 765, 780, 790, 791, 798, 799; 359/838; 312/224

### [56] **References Cited**

#### U.S. PATENT DOCUMENTS

D. 227,838	7/1973	Adkinson	.....	D6/444
D. 371,005	6/1996	Brunner et al.	.....	D6/300
D. 390,009	2/1998	Walters, III et al.	.....	D6/300
481,333	8/1892	Reinfeld	.....	40/745

#### OTHER PUBLICATIONS

Photocopies of photographs of furniture sold by Vaughan Furniture Company, Inc.; Style #1450-21B and #1450-22B; Oct., 1997.

Photocopies of photographs of furniture sold by Vaughan Furniture Company, Inc.; Style #600-04B and #600-04M; Oct., 1996.

Photocopies of photographs of furniture sold by Vaughan Furniture Company, Inc.; Style #600-19; Oct., 1996.

Photocopies of photographs of furniture sold by Vaughan Furniture Company, Inc.; No Vaughan Style Reference available; Apr. 1992.

The Mirror Book, by H. Schiffer, c1983, p. 221, mirror #583 at top right.

*Primary Examiner*—Janice E. Seeger

*Attorney, Agent, or Firm*—Rhodes, Coats & Bennett, L.L.P.

### [57] **CLAIM**

The ornamental design for a mirror, as shown and described.

### **DESCRIPTION**

FIG. 1 is a front left perspective view of a first embodiment of a mirror showing our new design;

FIG. 2 is a front elevational view thereof, the rear being plain and unadorned;

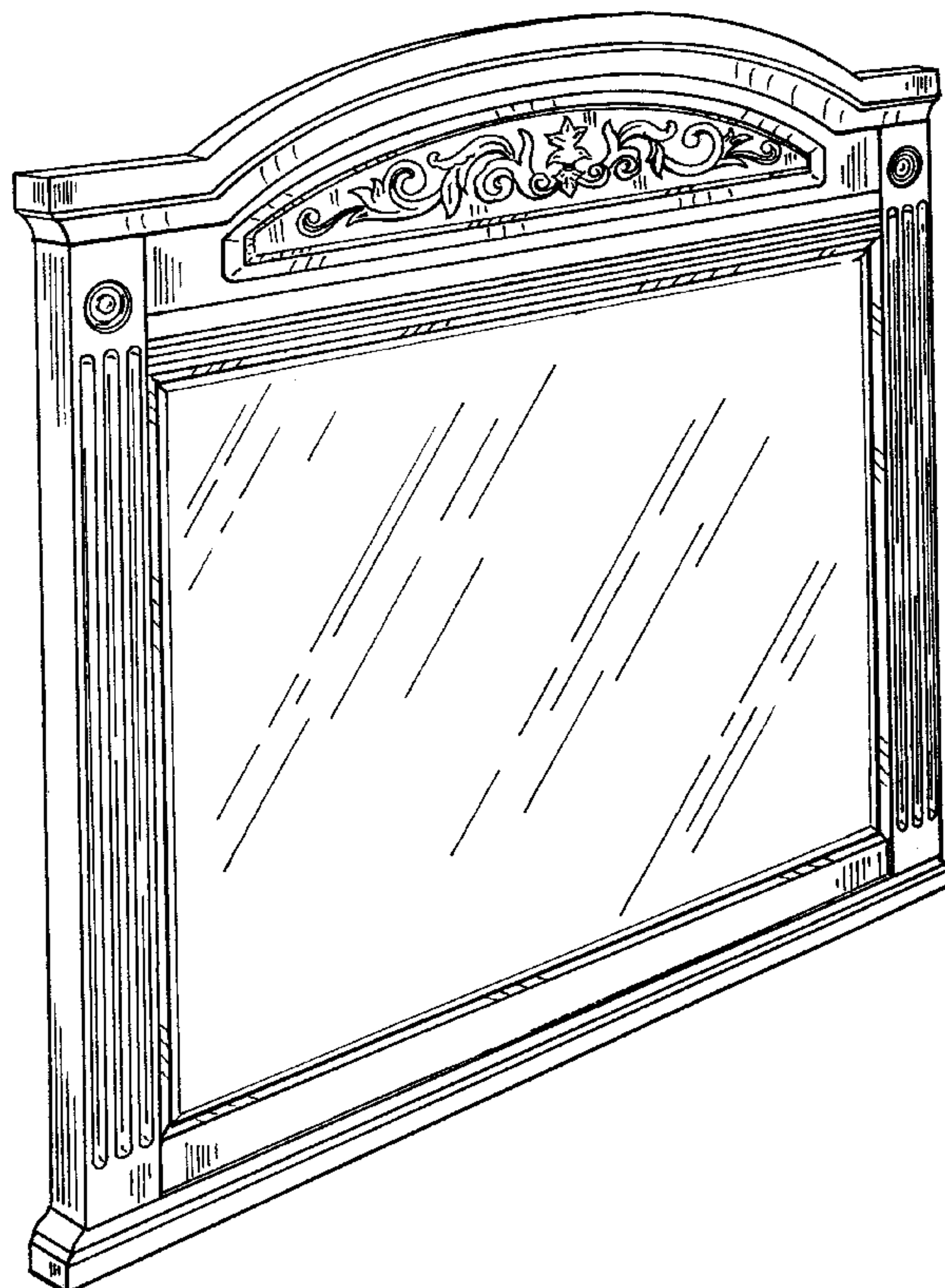
FIG. 3 is a side view thereof, the opposite side being a mirror image of the side shown;

FIG. 4 is an enlarged partial perspective view of the upper left hand corner of the mirror illustrating the decorative carving thereon;

FIG. 5 is an enlarged partial perspective view of the lower left hand corner of the mirror; and,

FIG. 6 is an enlarged partial front view of the upper central portion of the mirror illustrating the decorative carving thereon.

**1 Claim, 5 Drawing Sheets**



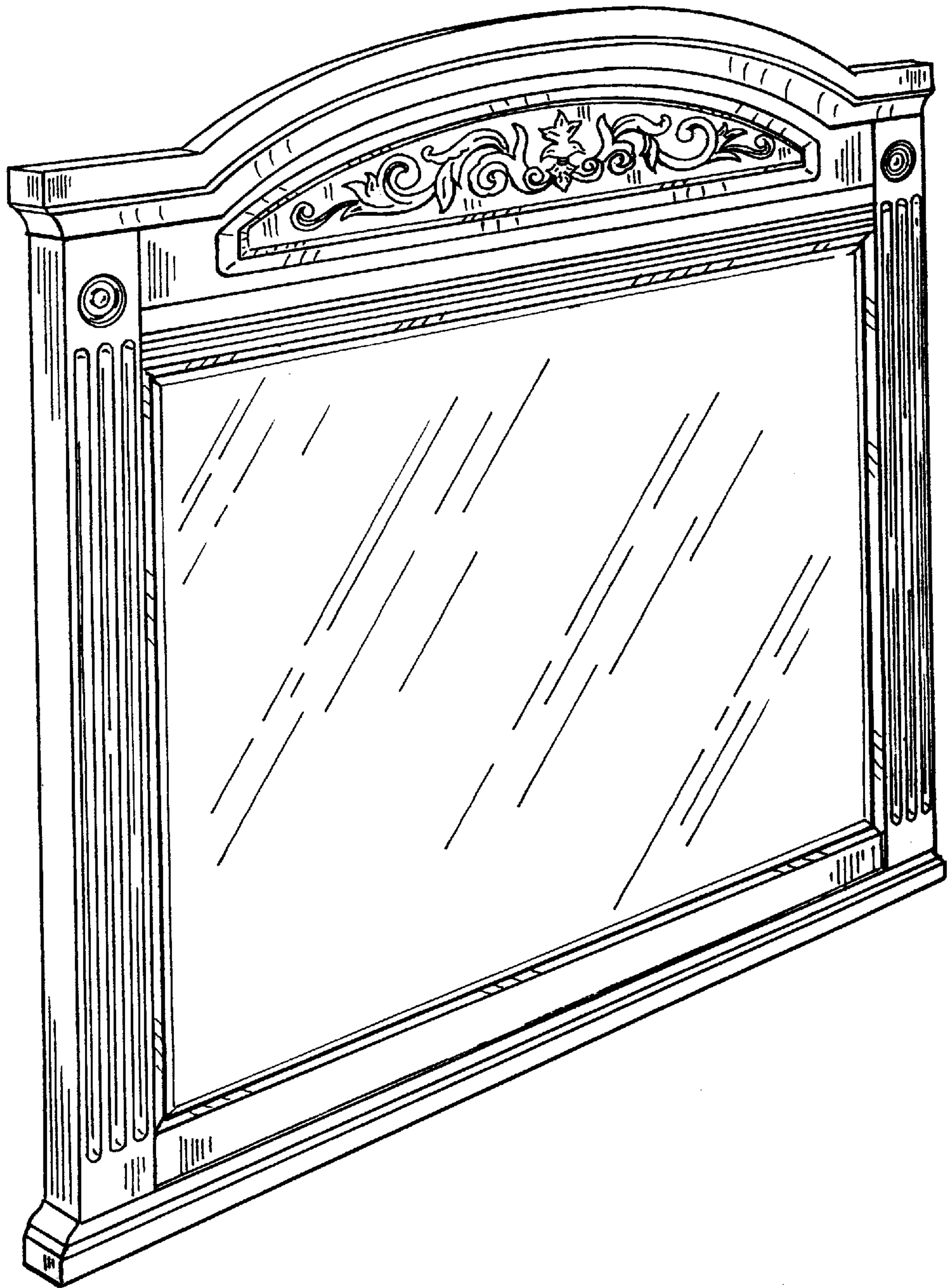


FIG. 1

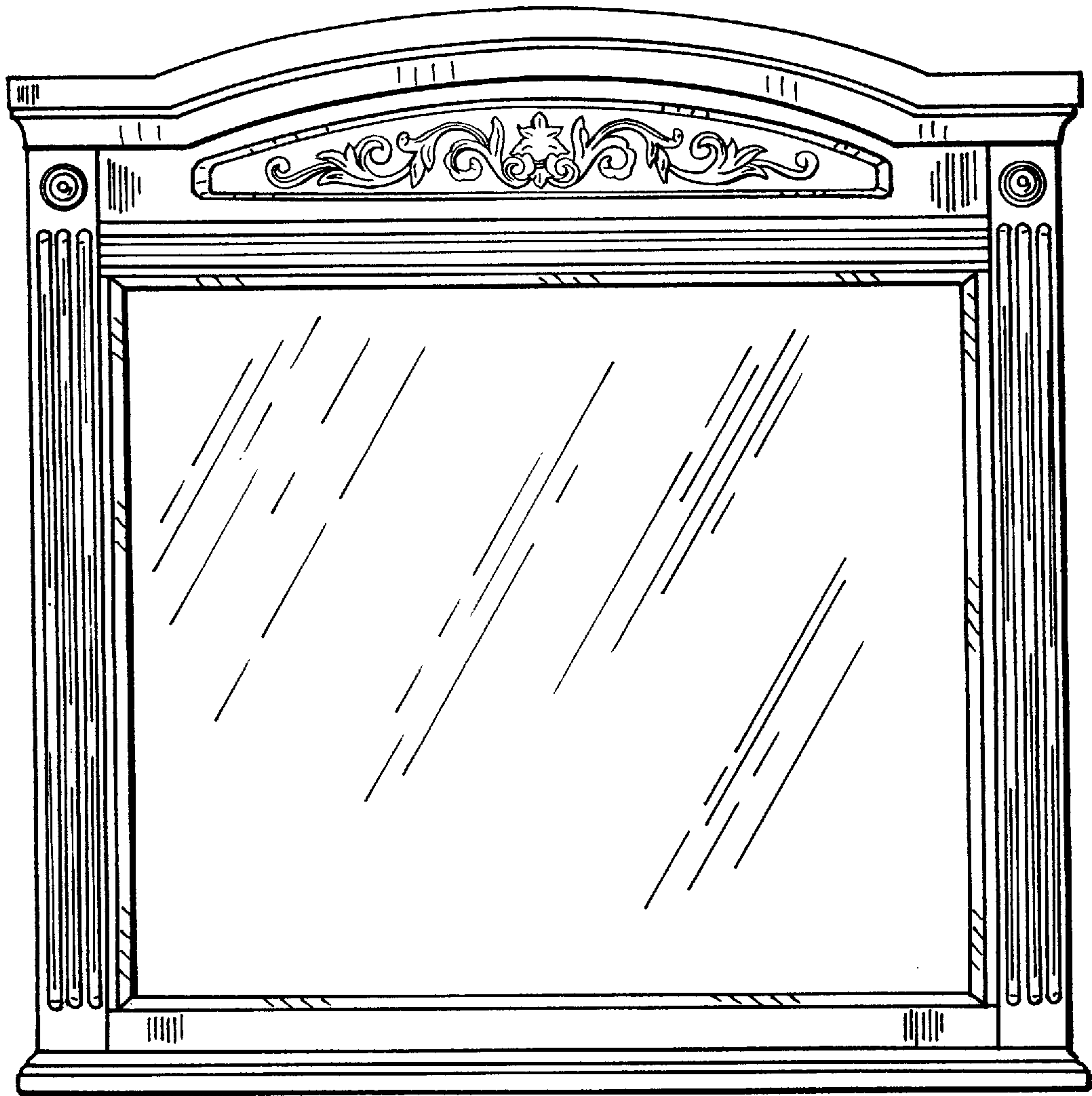


FIG. 2





FIG. 3

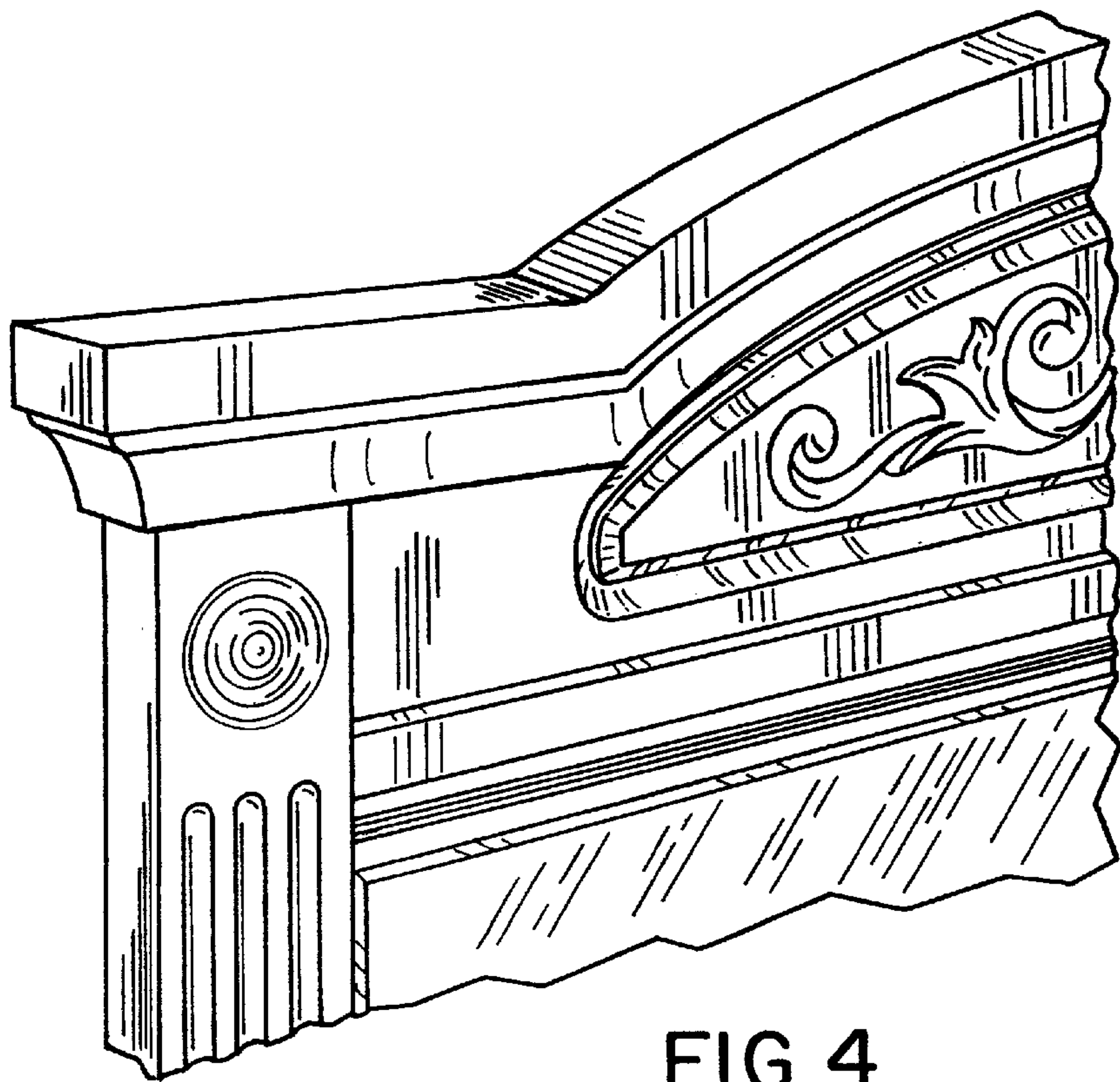


FIG. 4

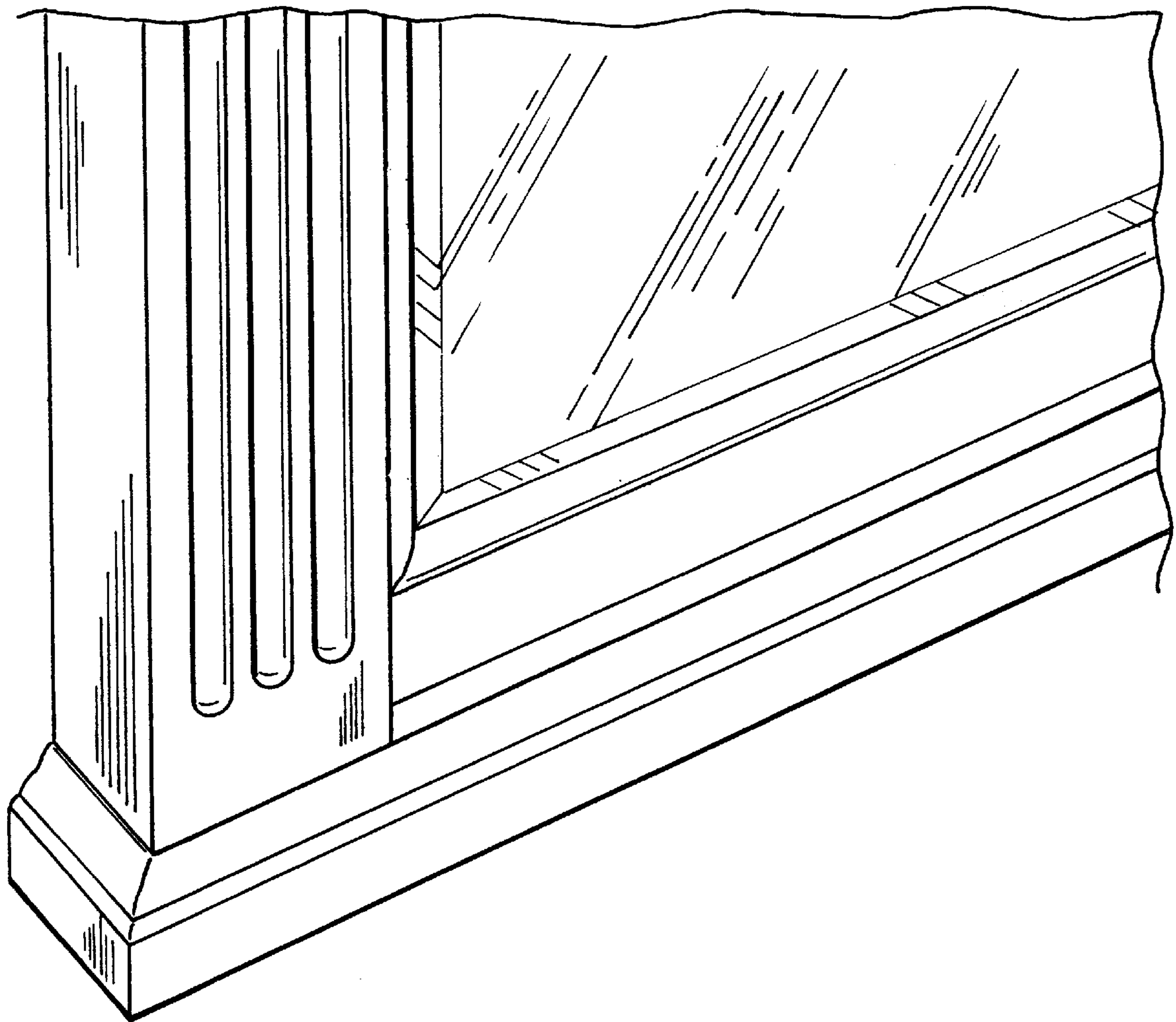


FIG. 5



FIG. 6