



US00D406465S

United States Patent [19]

Barton et al.

[11] Patent Number: Des. 406,465

[45] Date of Patent: **Mar. 9, 1999

[54] SET OF GRIPS FOR A ROLLER FRAME HANDLE

[75] Inventors: William W. Barton, Greendale, Wis.; Thomas D. Koos, Williamsville, N.Y.; Anthony W. Gilbert, New Berlin, Wis.; Robert A. Shaffer, Kenosha, Wis.; Terrance Case, Milwaukee, Wis.

[73] Assignee: Newell Operating Company, Freeport, Ill.

[**] Term: 14 Years

[21] Appl. No.: 74,842

[22] Filed: Aug. 8, 1997

[51] LOC (6) Cl. 08-05

[52] U.S. Cl. D4/138; D4/199

[58] Field of Search D4/113, 122, 138, D4/199; D8/DIG. 3, DIG. 7, DIG. 8; D24/189; 15/143.1, 145, 230.11; 74/551.9

[56] References Cited

U.S. PATENT DOCUMENTS

- D. 121,576 7/1940 Scholl D24/189
- D. 185,675 7/1959 MacMinn D8/DIG. 3

- D. 212,131 8/1968 Sakow D4/122
- D. 226,886 5/1973 Codina D4/137
- D. 307,207 4/1990 Wolf D8/DIG. 7 X
- 3,596,304 8/1971 Welt 15/230.11
- 5,105,500 4/1992 Bordogna 15/230.11
- 5,365,881 11/1994 Sporn 15/143.1 X

Primary Examiner—Alan P. Douglas
Assistant Examiner—Lavone D. Tabor
Attorney, Agent, or Firm—Foley & Lardner

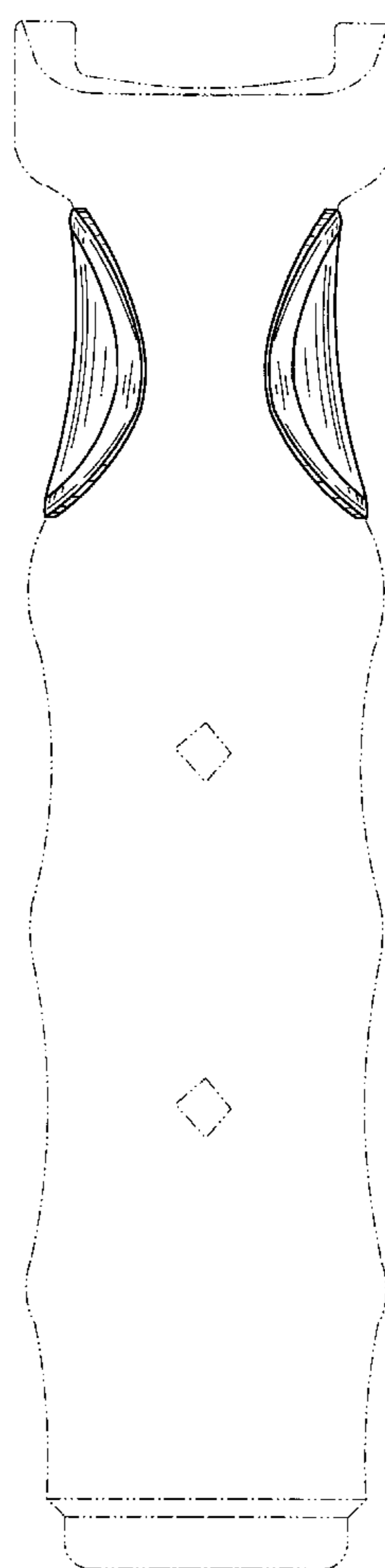
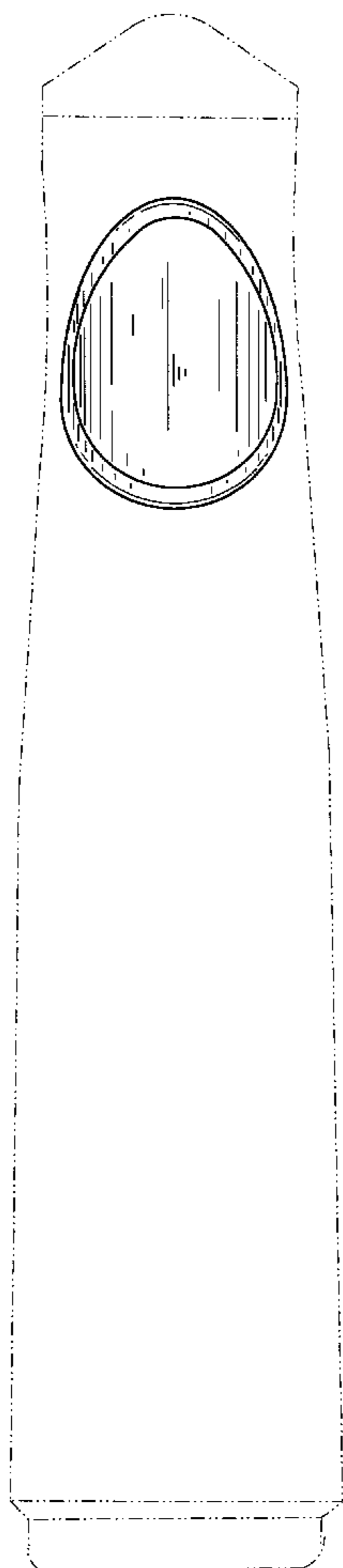
[57] CLAIM

The ornamental design for a set of grips for a roller frame handle, as shown and described.

DESCRIPTION

FIG. 1 is a perspective view of a set of grips for a roller frame handle showing my new design, with the broken line showing of a roller frame handle being for illustrative purposes only and forming no part of the claimed design; FIG. 2 is a right end elevational view thereof; FIG. 3 is a left end elevational view thereof; FIG. 4 is a top plan view thereof, the bottom plan view being a mirror image of the top view shown; and, FIG. 5 is a front elevational view thereof, the rear elevational view being a mirror image of the front elevational view shown.

1 Claim, 2 Drawing Sheets



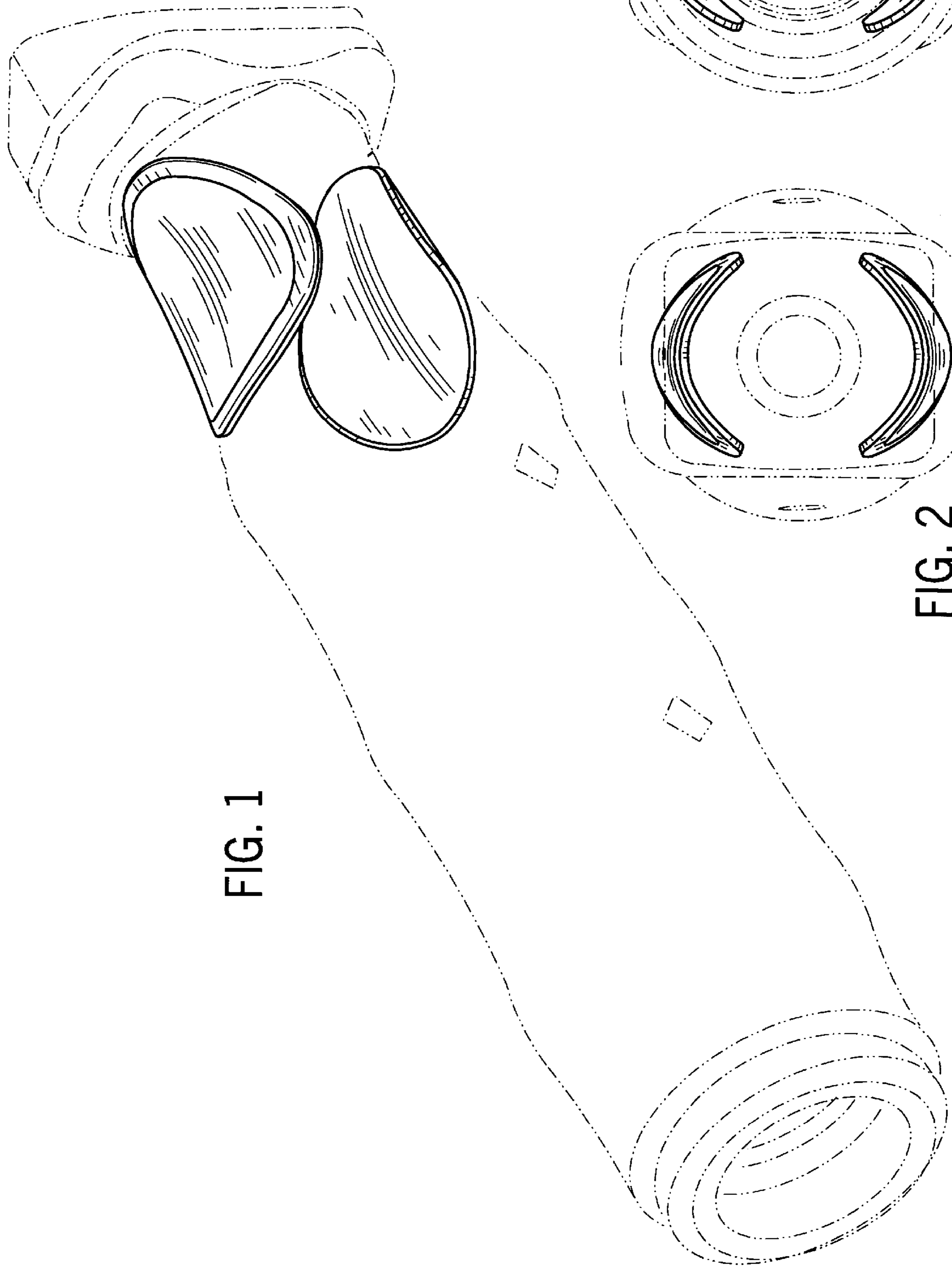


FIG. 1

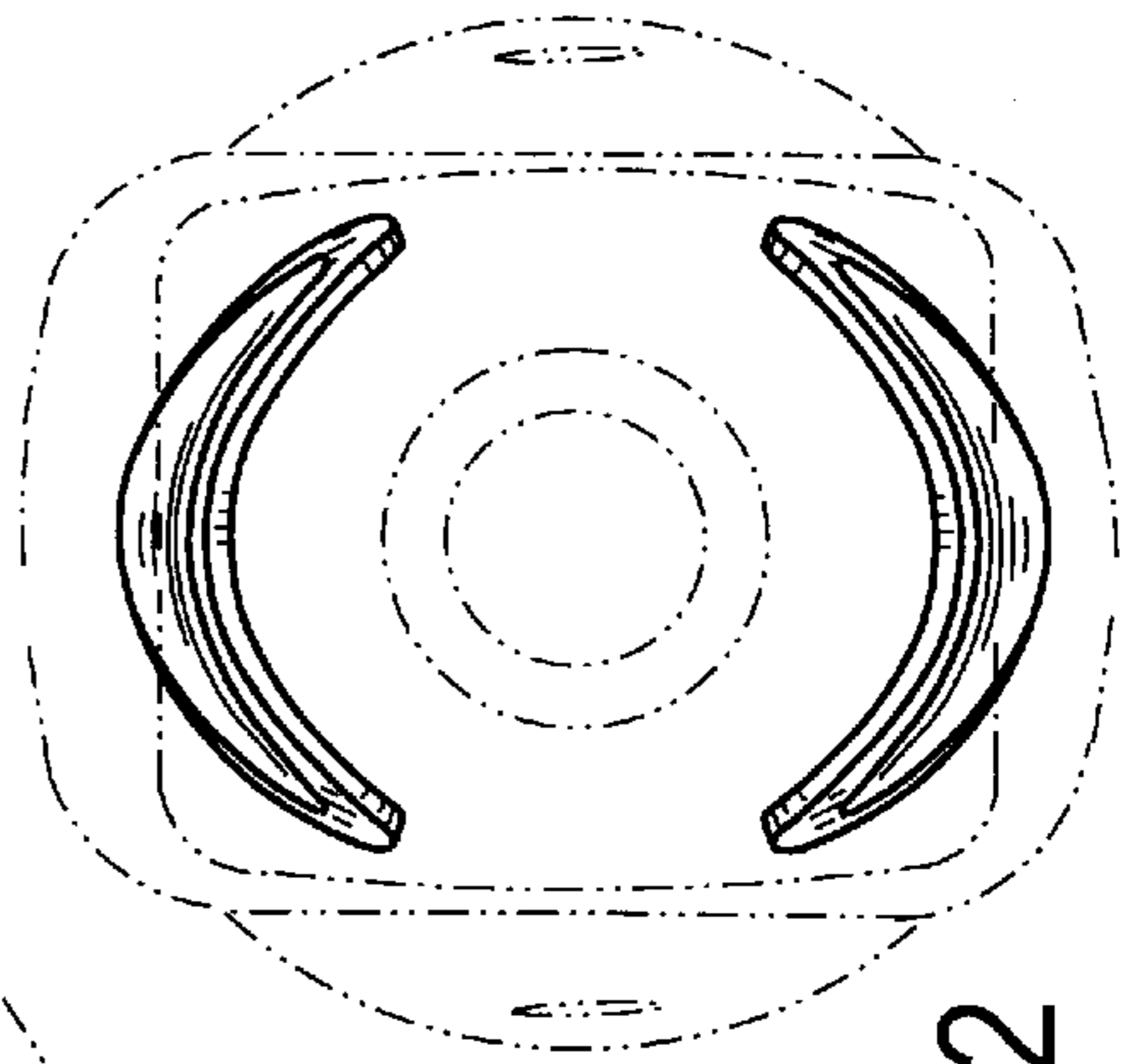


FIG. 2

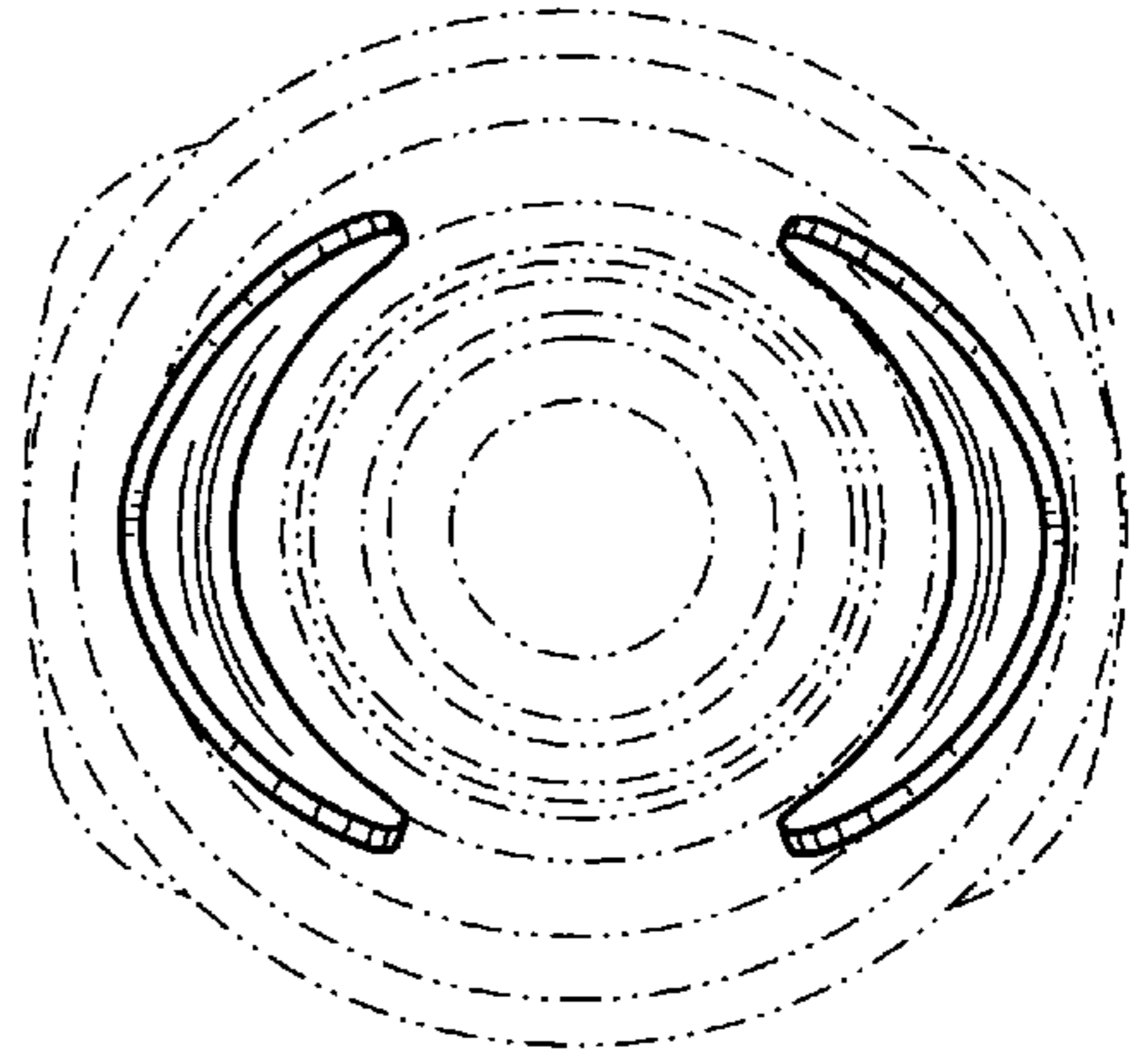


FIG. 3

FIG. 4

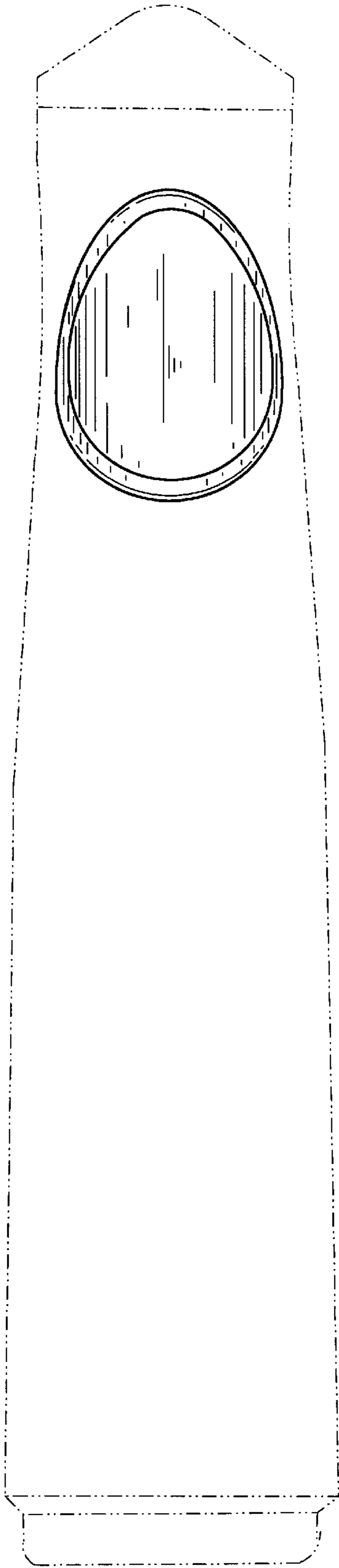


FIG. 5

