



US00D406464S

United States Patent [19]

Yost et al.

[11] Patent Number: **Des. 406,464**

[45] Date of Patent: *****Mar. 9, 1999**

[54] **BRISTLED HEAD FOR A TOOTHBRUSH**

[75] Inventors: **Kevin G. Yost**, Short Hills; **Alan G. Trojanowski**, Monmouth Junction, both of N.J.

[73] Assignee: **Johnson & Johnson Consumer Products, Inc.**, Skillman, N.J.

[*] Notice: The term of this patent shall not extend beyond the expiration date of Pat. Nos. D. 368,803, D. 372,584 and D. 374,775.

[**] Term: **14 Years**

[21] Appl. No.: **58,420**

[22] Filed: **Aug. 14, 1996**

Related U.S. Application Data

[63] Continuation of Ser. No. 36,561, Mar. 22, 1995.

[51] **LOC (6) Cl.** **04-02**

[52] **U.S. Cl.** **D4/104**

[58] **Field of Search** D4/104-112, 132, D4/134; 15/159.1, 167.1, 167.2, 186, 187, 207.2, DIG. 5, DIG. 6

[56] References Cited

U.S. PATENT DOCUMENTS

D. 272,682 2/1984 Stocchi D4/110

D. 279,838	7/1985	Hjelle	D4/104
D. 331,320	12/1992	Kreisher et al.	D4/104
D. 359,851	7/1995	Loew	D4/104
D. 368,803	4/1996	Yost et al.	D4/104
D. 372,584	8/1996	Yost et al.	D4/104
D. 374,775	10/1996	Yost et al.	D4/104
1,705,542	3/1929	Ryser	15/167.1 X
4,010,509	3/1977	Huish	15/167.1
5,392,483	2/1995	Heinzelman et al.	15/167.1
5,419,001	5/1995	Wan	15/167.1

FOREIGN PATENT DOCUMENTS

1054713 2/1954 France 15/167.1

Primary Examiner—Alan P. Douglas
Assistant Examiner—Lavone B. Tabor
Attorney, Agent, or Firm—Lawrence D. Schuler

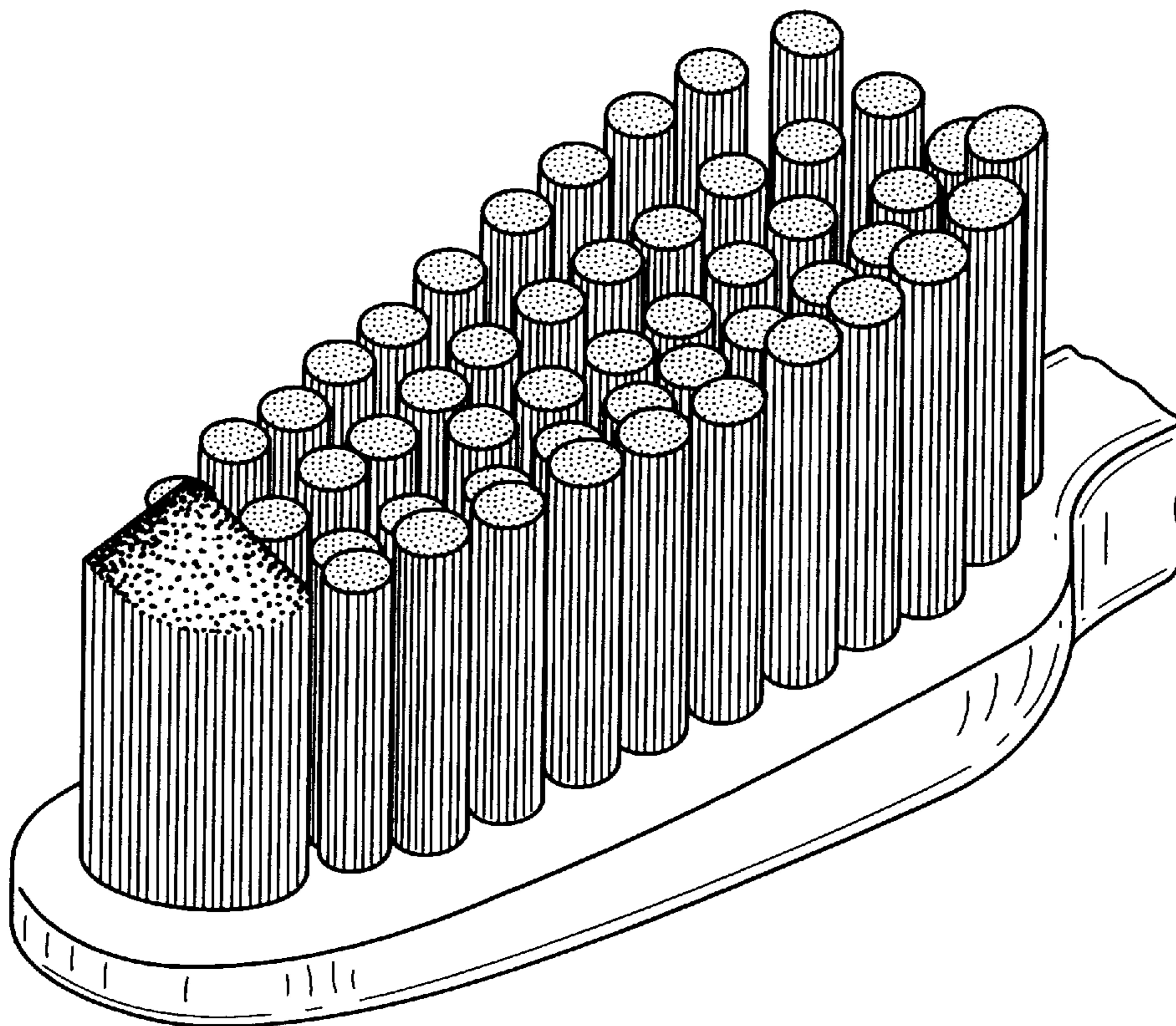
[57] CLAIM

The ornamental design for a bristled head for a toothbrush, as shown and described.

DESCRIPTION

FIG. 1 is a perspective view showing th bristled head for a toothbrush new design;
FIG. 1 is a top plan view thereof;
FIG. 3 is a side elevational view thereof, the opposite side being a mirror image;
FIG. 4 is a bottom plan view thereof;
FIG. 5 is a front elevational view thereof; and,
FIG. 6 is a rear elevational view thereof.

1 Claim, 3 Drawing Sheets



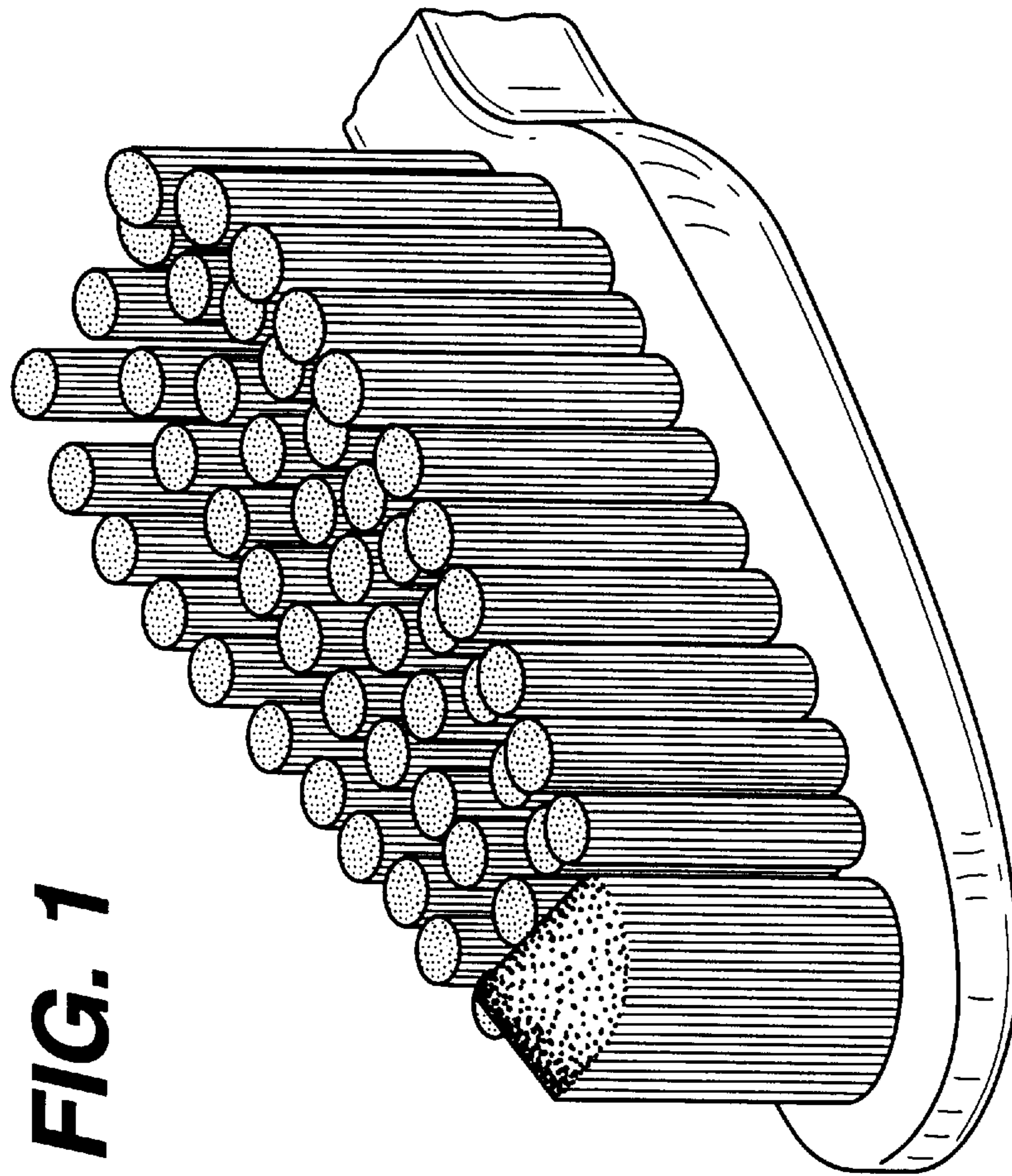


FIG. 1

FIG. 2

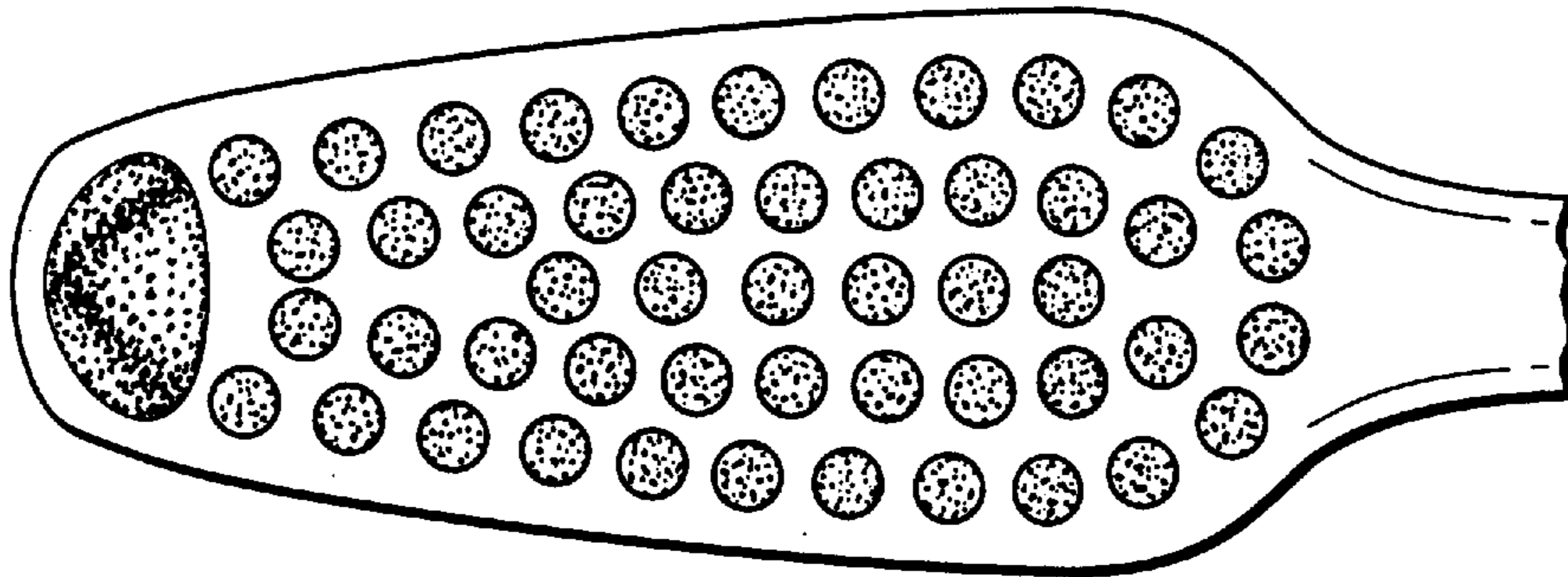


FIG. 3

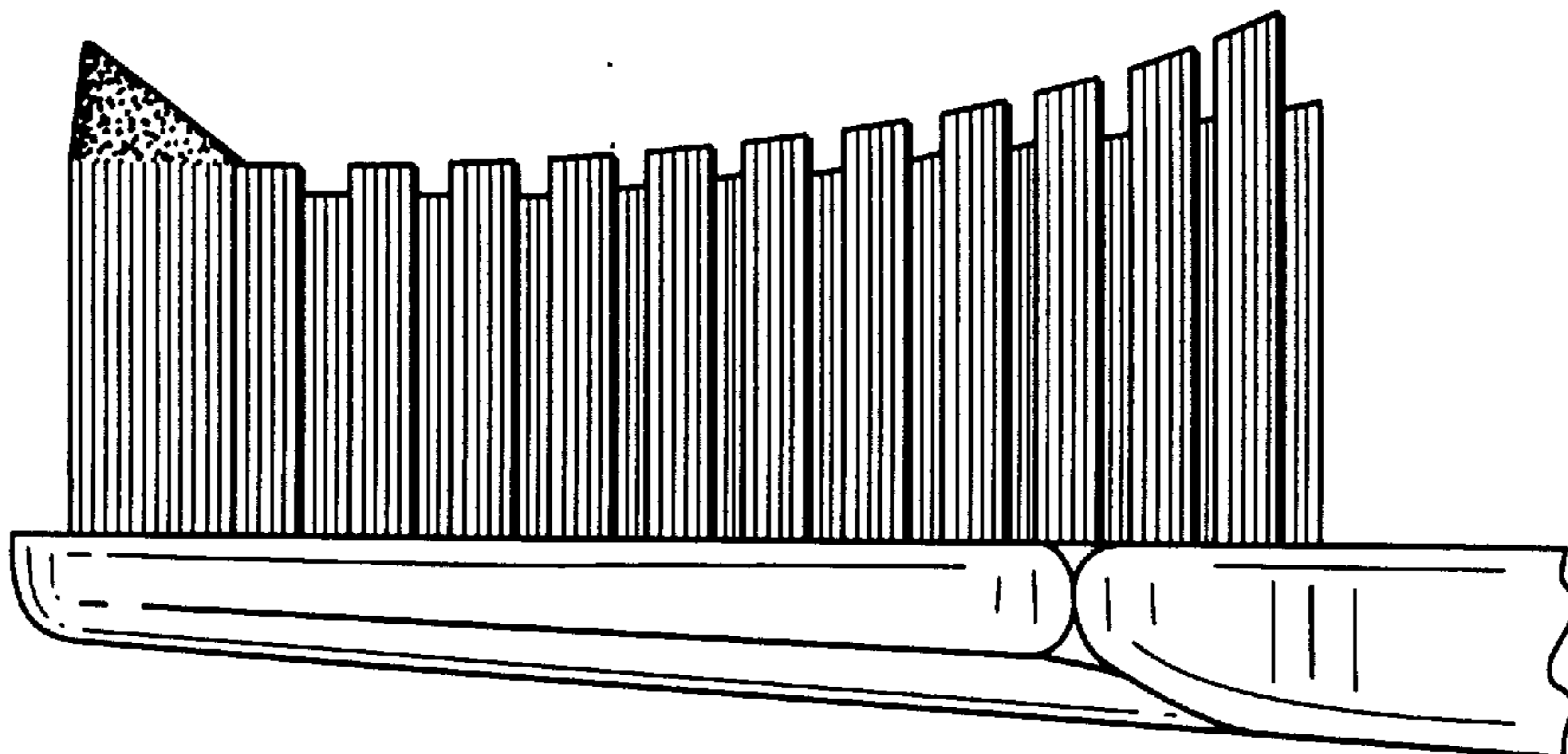


FIG. 4

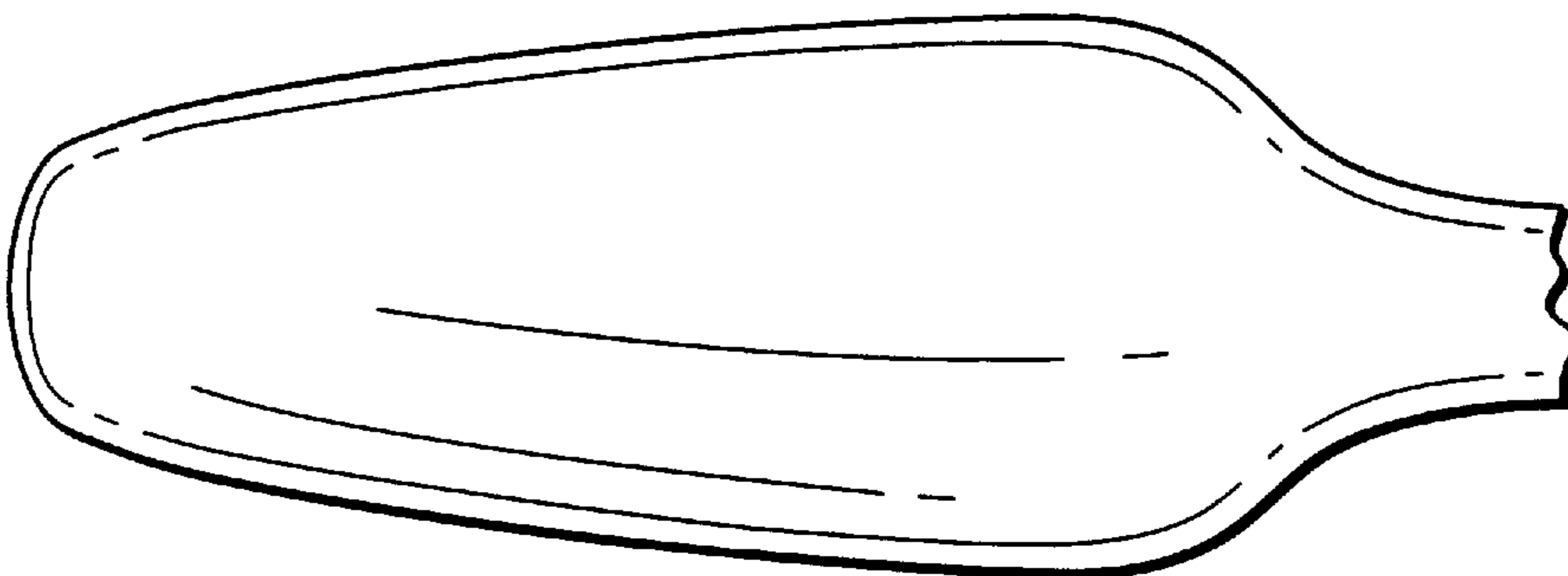


FIG. 5

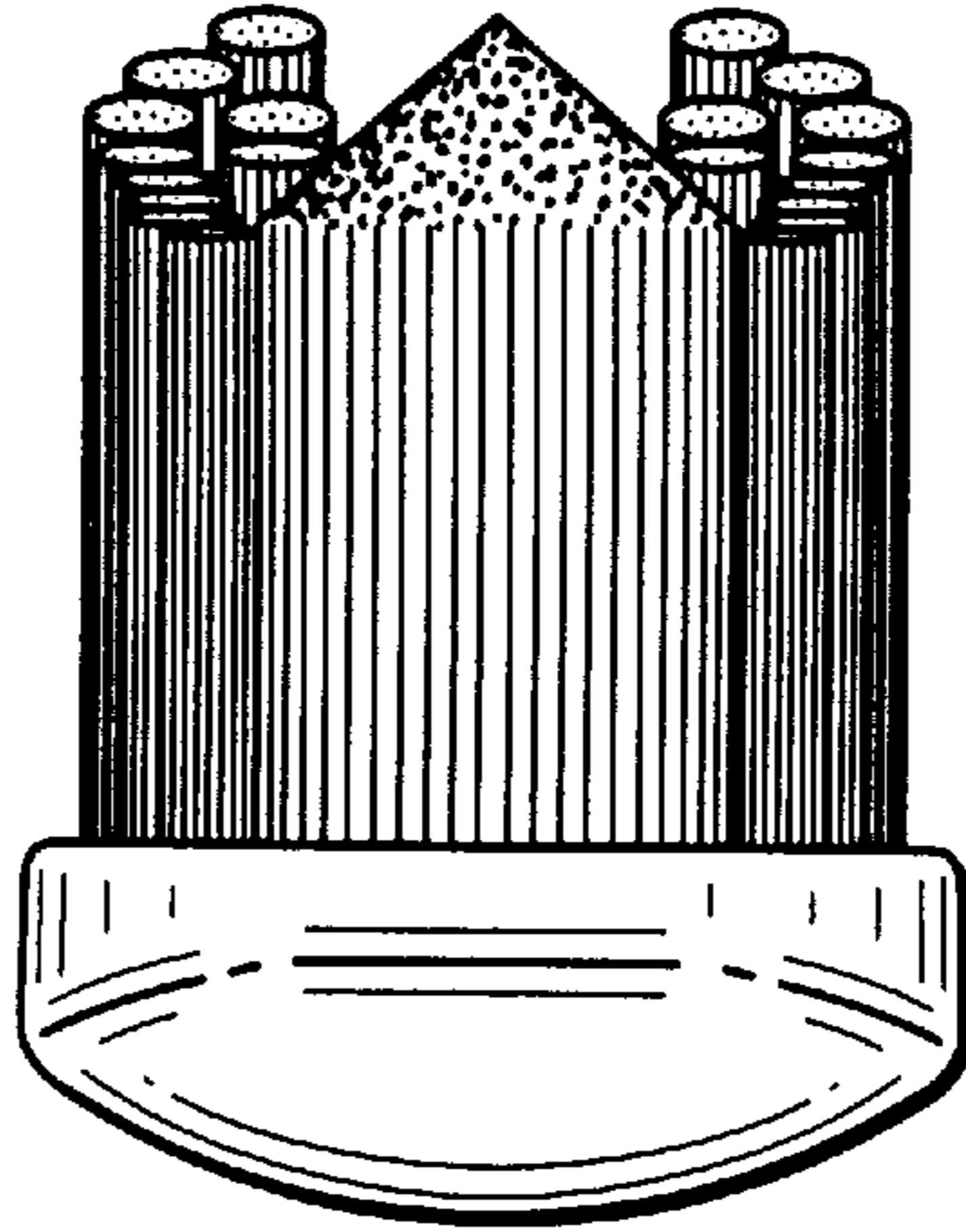


FIG. 6

