



US00D406463S

**United States Patent** [19]  
**Rutledge**

[11] **Patent Number: Des. 406,463**  
[45] **Date of Patent: \*\*Mar. 9, 1999**

[54] **STORAGE CONTAINER WITH  
TRANSPARENT BODY AND OPAQUE LID**

[75] Inventor: **Gary L. Rutledge**, Parker, Tex.

[73] Assignee: **John C. Marrelli**, Tustin, Calif.

[\*\*] Term: **14 Years**

[21] Appl. No.: **64,443**

[22] Filed: **Dec. 31, 1996**

[51] **LOC (6) Cl.** ..... **03-01**

[52] **U.S. Cl.** ..... **D3/302; D9/425**

[58] **Field of Search** ..... **D3/302, 273; D9/420,**  
**D9/424, 423; 220/350, 296, 662; 206/503,**  
**501, 508, 518**

[56] **References Cited**

**U.S. PATENT DOCUMENTS**

D. 175,202	7/1955	Tupper	D7/629
D. 220,448	4/1971	Swett et al.	D7/629
D. 224,553	8/1972	Swett et al.	D7/629
D. 238,051	12/1975	Fier, Jr.	
D. 238,148	12/1975	Dilet	
D. 250,870	1/1979	Stahel	
D. 262,839	2/1982	Daenen et al.	
D. 267,703	1/1983	Chase et al.	
D. 272,029	1/1984	Grusin	
D. 272,595	2/1984	Chase et al.	
D. 272,971	3/1984	Tallon	
D. 275,653	9/1984	Crutchfield	D9/420
D. 276,400	11/1984	Daenen et al.	
D. 276,401	11/1984	Daenen et al.	
D. 276,402	11/1984	Daenen et al.	
D. 278,675	5/1985	Tardif et al.	
D. 279,251	6/1985	Daenen et al.	
D. 279,252	6/1985	Daenen et al.	
D. 279,253	6/1985	Daenen et al.	
D. 279,952	8/1985	Daenen et al.	
D. 280,281	8/1985	Conti et al.	
D. 282,808	3/1986	Daenen et al.	
D. 282,809	3/1986	Daenen et al.	
D. 282,896	3/1986	Conti et al.	
D. 282,897	3/1986	Conti et al.	
D. 284,253	6/1986	Carlson	
D. 284,254	6/1986	Carlson	
D. 284,944	8/1986	Carlson	

D. 285,514	9/1986	Ritman	
D. 285,906	9/1986	Tyler	D9/425
D. 287,573	1/1987	Tyler	D9/435
D. 287,803	1/1987	Daenen et al.	D9/435
D. 289,719	5/1987	Daenen et al.	
D. 302,774	8/1989	Murphy	D9/425
D. 304,016	10/1989	Forbes, Jr.	D9/425
D. 308,340	6/1990	Ilsen et al.	D9/425
D. 308,486	6/1990	Wilson	D9/424
D. 312,968	12/1990	Wolff	D9/431
D. 315,099	3/1991	Alizard	D9/424
D. 316,513	4/1991	Wolff	D9/431
D. 319,978	9/1991	Wolff	D9/431
D. 321,111	10/1991	Wolff	D7/391
D. 321,456	11/1991	Wolff	D7/391
D. 325,847	5/1992	Wolff	D7/391
D. 326,979	6/1992	Wolff	D7/391
D. 330,161	10/1992	Schuh	D9/423
D. 332,204	1/1993	Carlson	D7/629
D. 332,917	2/1993	McDevitt et al.	D9/423
D. 342,815	12/1993	Shafer	D9/425
D. 343,795	2/1994	Verchere	D9/425
D. 346,720	5/1994	Onneweer	D7/629
D. 348,394	7/1994	Dryer	D9/424
D. 350,880	9/1994	VanValkenburg et al.	D7/629
D. 352,425	11/1994	Daenen et al.	D7/602
D. 354,435	1/1995	Krupa	D9/423
D. 354,436	1/1995	Krupa	D9/423
D. 354,655	1/1995	Daenen et al.	D7/392.1
D. 355,814	2/1995	VanValkenburg et al.	D7/629
D. 360,105	7/1995	Doxey	D7/391
D. 363,663	10/1995	Plater	D9/425
D. 365,985	1/1996	Rousmaniere et al.	D9/423
2,695,645	11/1954	Tupper	
2,752,970	7/1956	Tupper	
3,448,888	6/1969	Smith et al.	D9/425
4,412,630	11/1983	Daenen	220/353
4,819,824	4/1989	Longbottom et al.	220/266

*Primary Examiner*—Philip S. Hyder  
*Attorney, Agent, or Firm*—Lowe Hauptman Gopstein  
Gilman & Berner

[57] **CLAIM**

The ornamental design for a storage container with transparent body and opaque lid, as shown and described herein.

**DESCRIPTION**

FIG. 1 is a perspective view of a storage container according to my new design in which the container body is preferably transparent and the container lid is opaque;

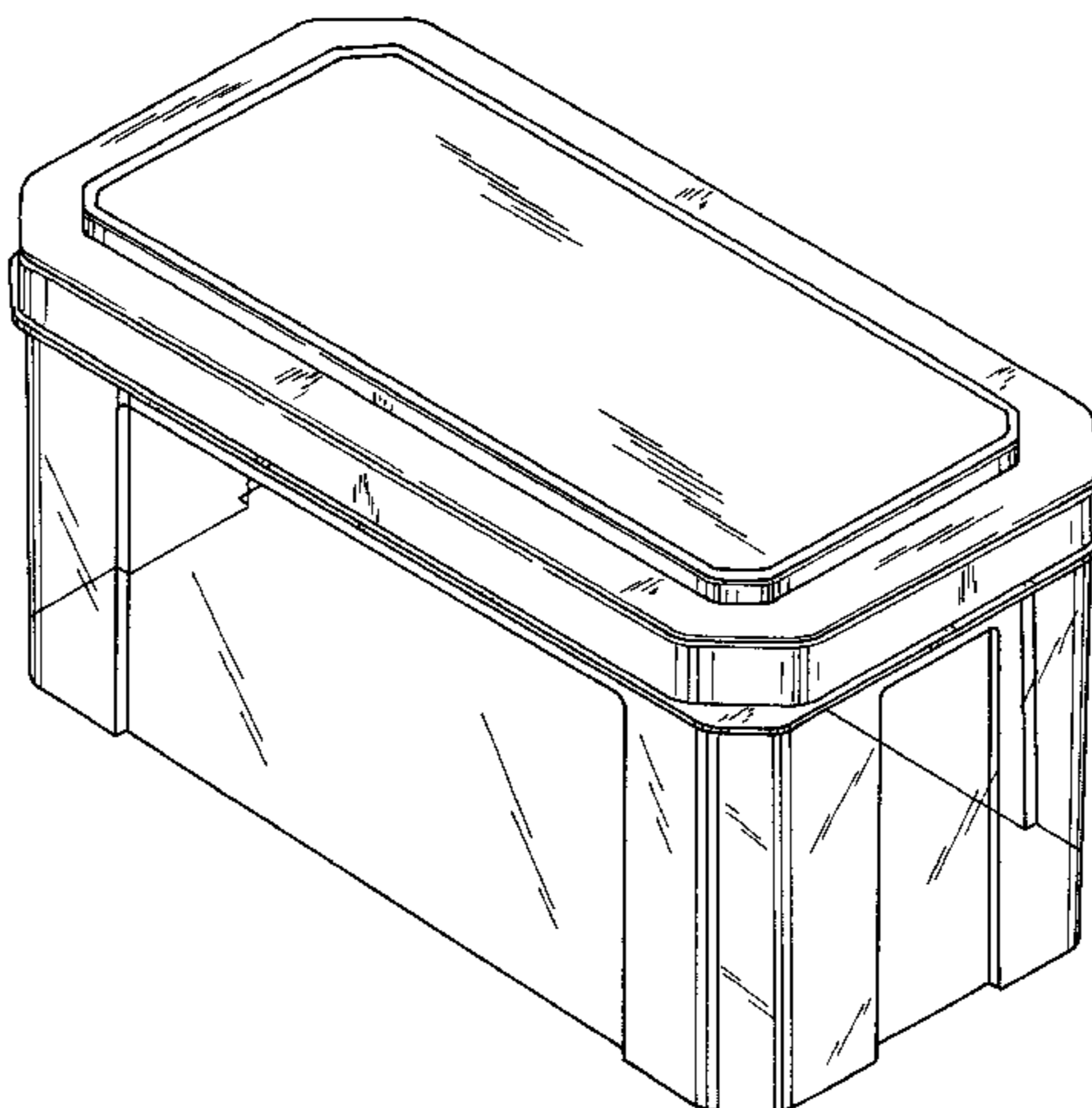


FIG. 2 is a perspective view of the container body with the lid removed;

FIG. 3 is a left side view of the container of FIG. 1 with the opposite right side view being identical;

FIG. 4 is an end elevation of the container of FIG. 1 with the opposite end elevation being identical;

FIG. 5 is a top view of the container of FIG. 1;

FIG. 6 is a bottom view of the container of FIG. 1;

FIG. 7 is a left side view of the container body of FIG. 2 with the container lid removed, the opposite right side view being identical;

FIG. 8 is an end elevation of the container body of FIG. 2 with the lid removed, the opposite end elevation being identical;

FIG. 9 is a top view of the container body of FIG. 2 with the container lid removed;

FIG. 10 is a bottom view of the container body of FIG. 2 with the container lid removed;

FIG. 11 is a bottom view of the container lid;

FIG. 12 is a left side elevation of the container lid of FIG. 11, the opposite view being identical; and,

FIG. 13 is an end elevation of the container lid of FIG. 11, the opposite end elevation being identical.

**1 Claim, 6 Drawing Sheets**

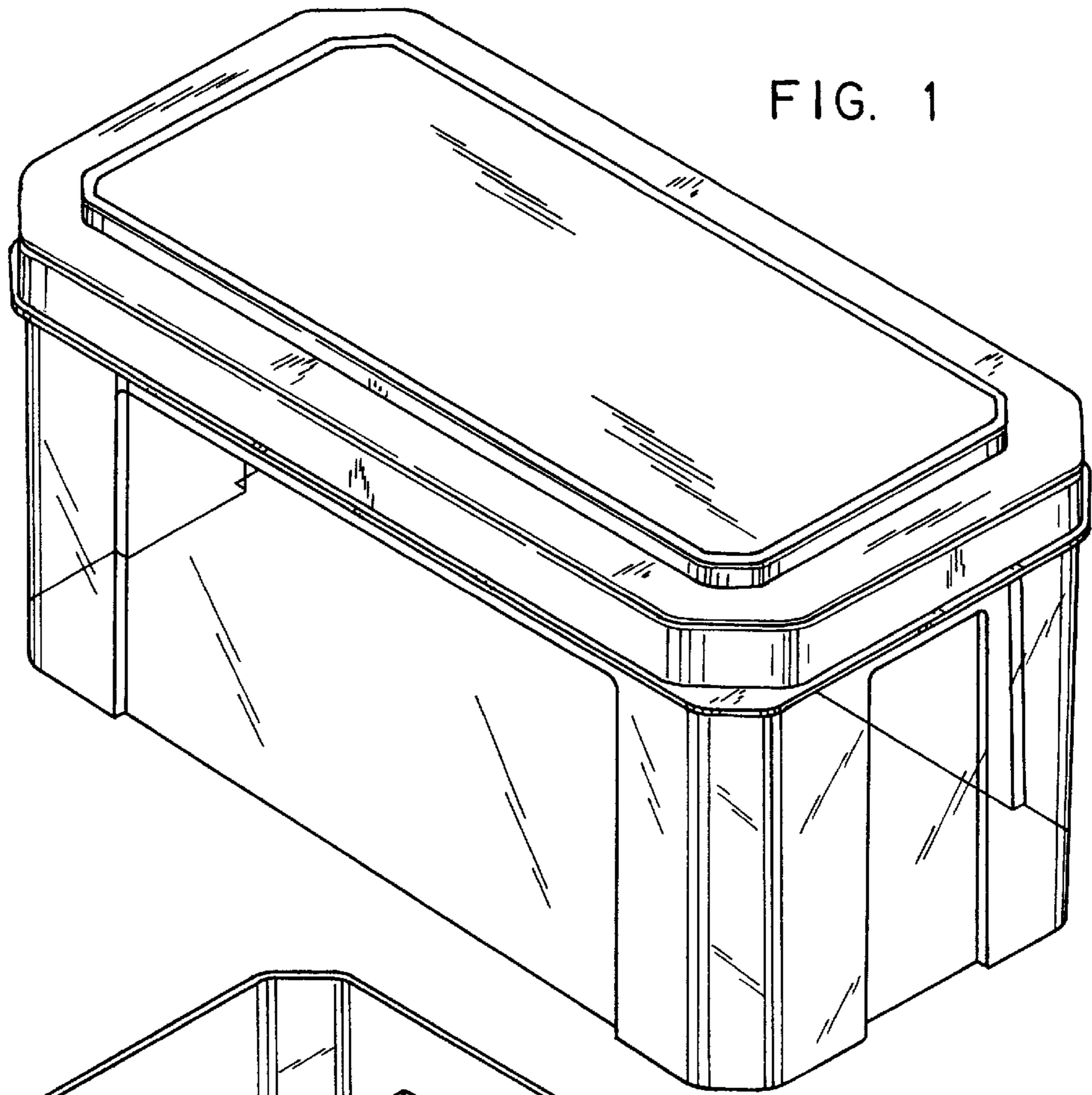


FIG. 1

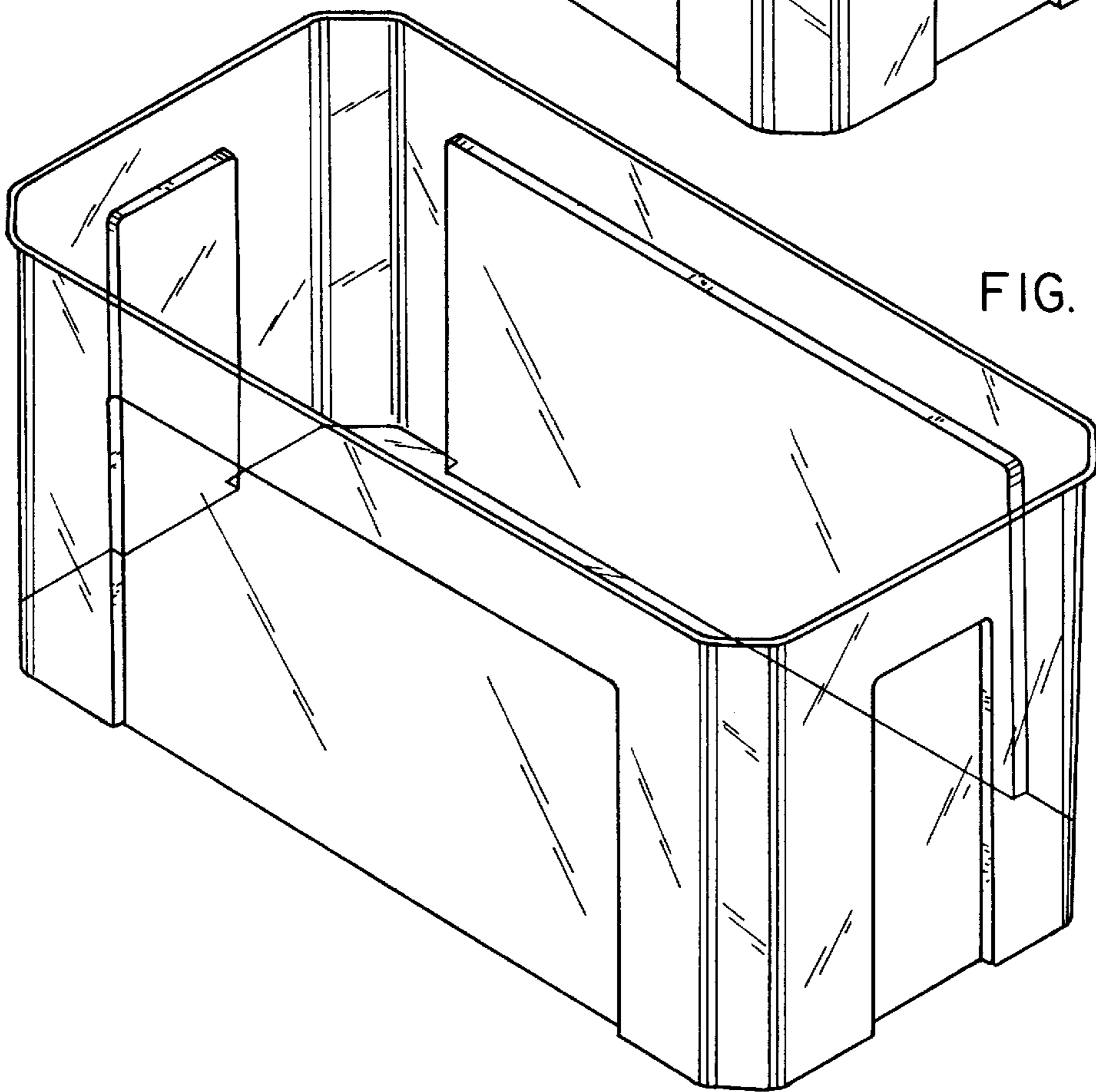


FIG. 2

FIG. 3

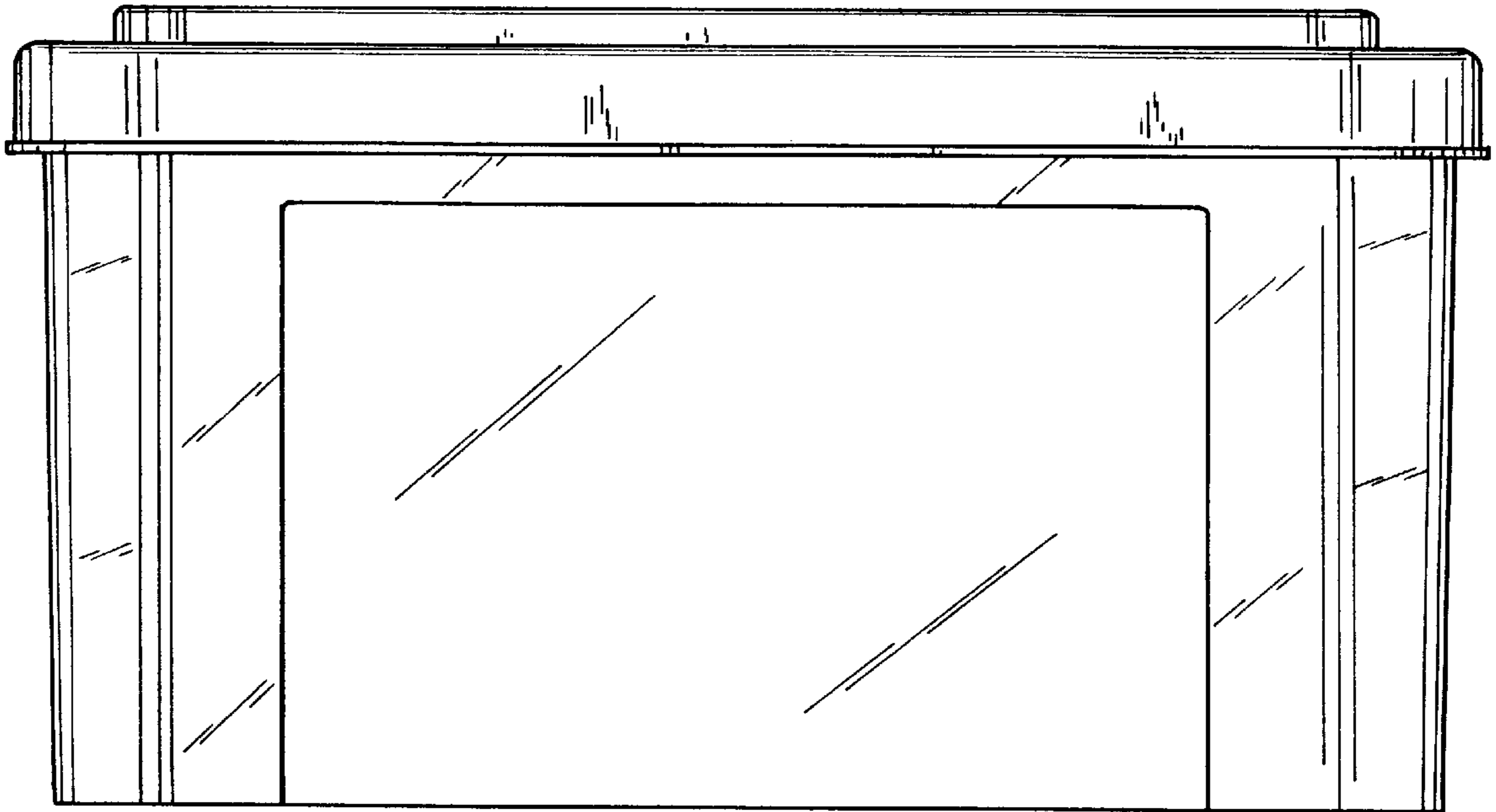


FIG. 4

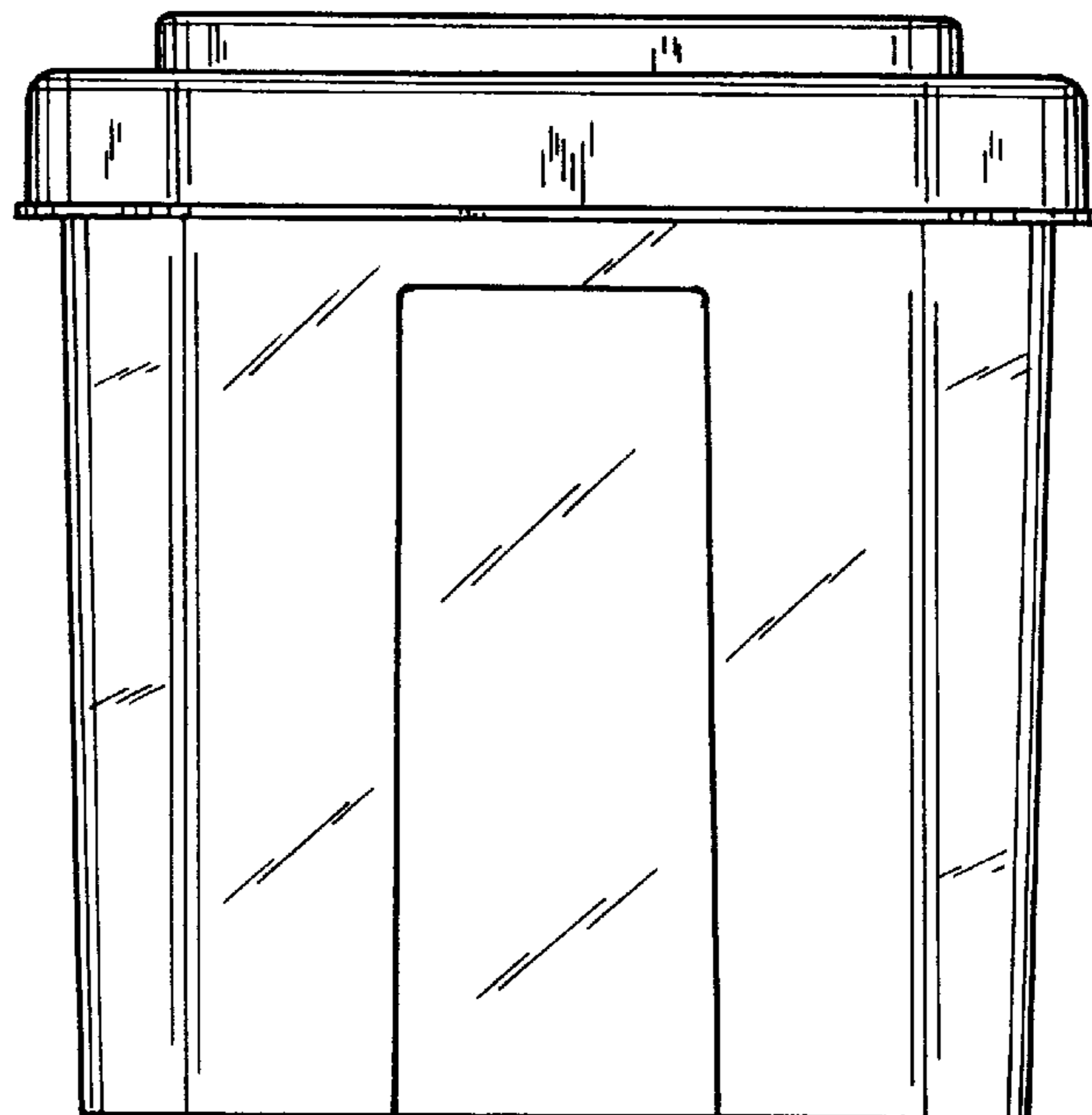


FIG. 5



FIG. 6

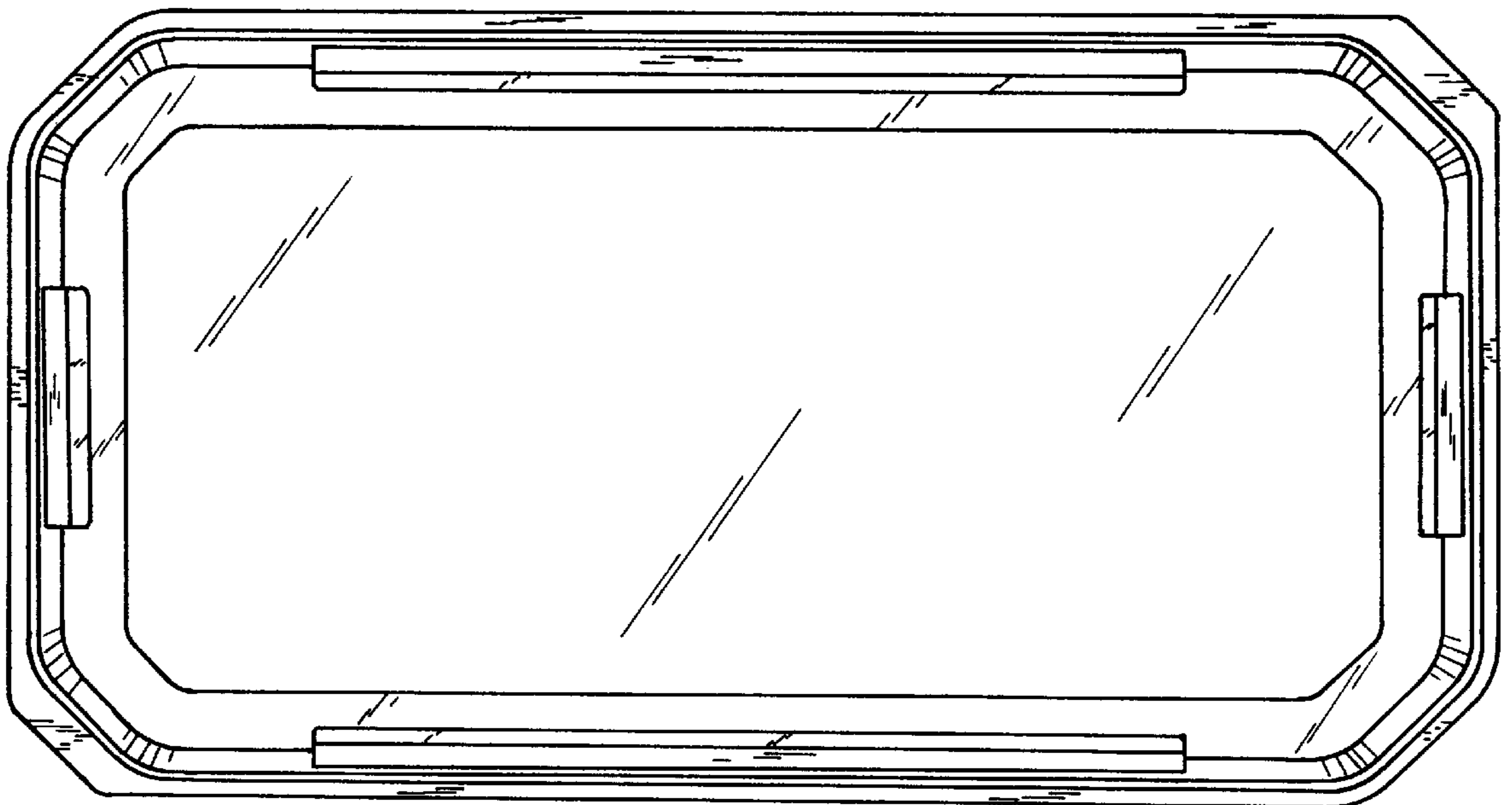


FIG. 7

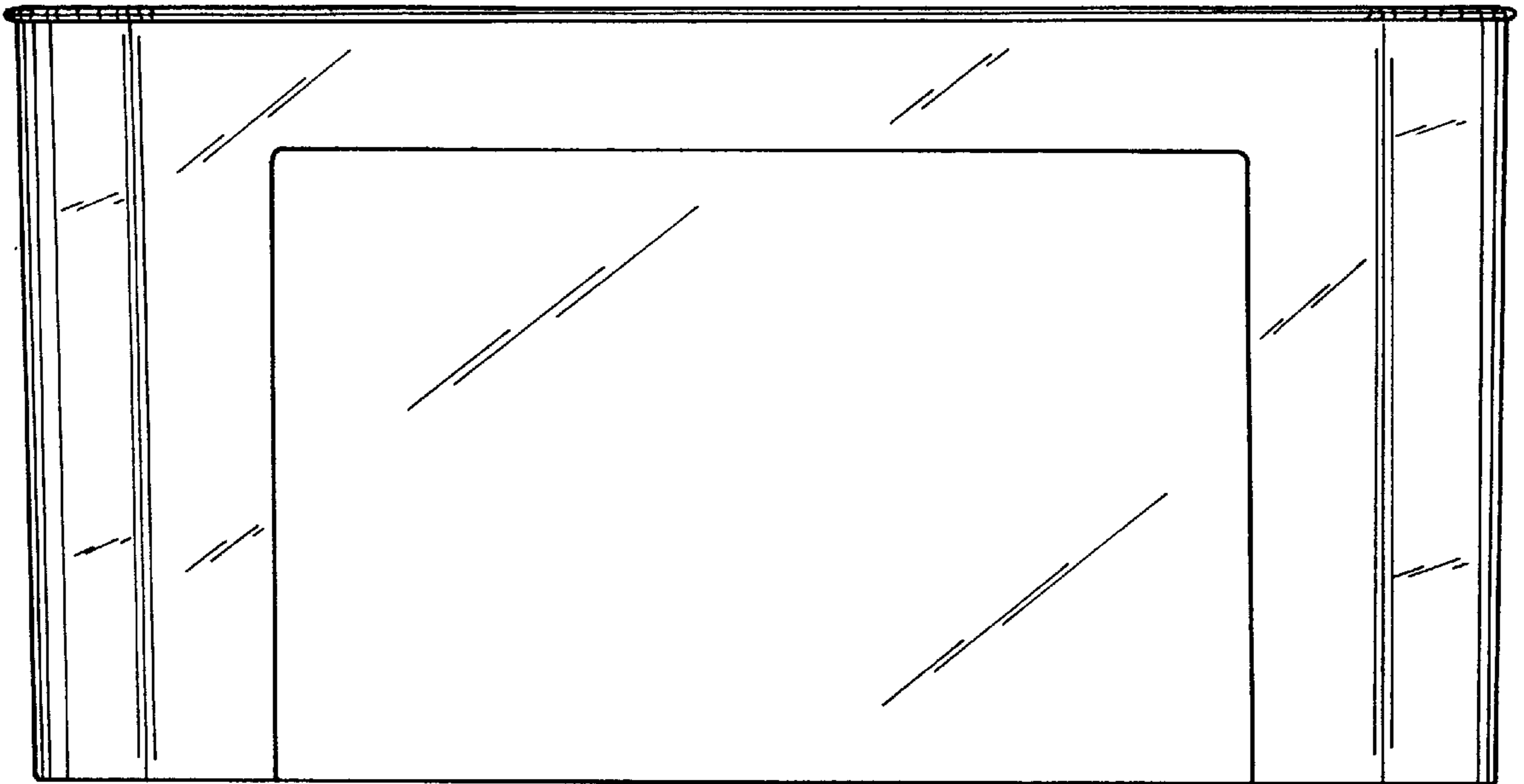


FIG. 8

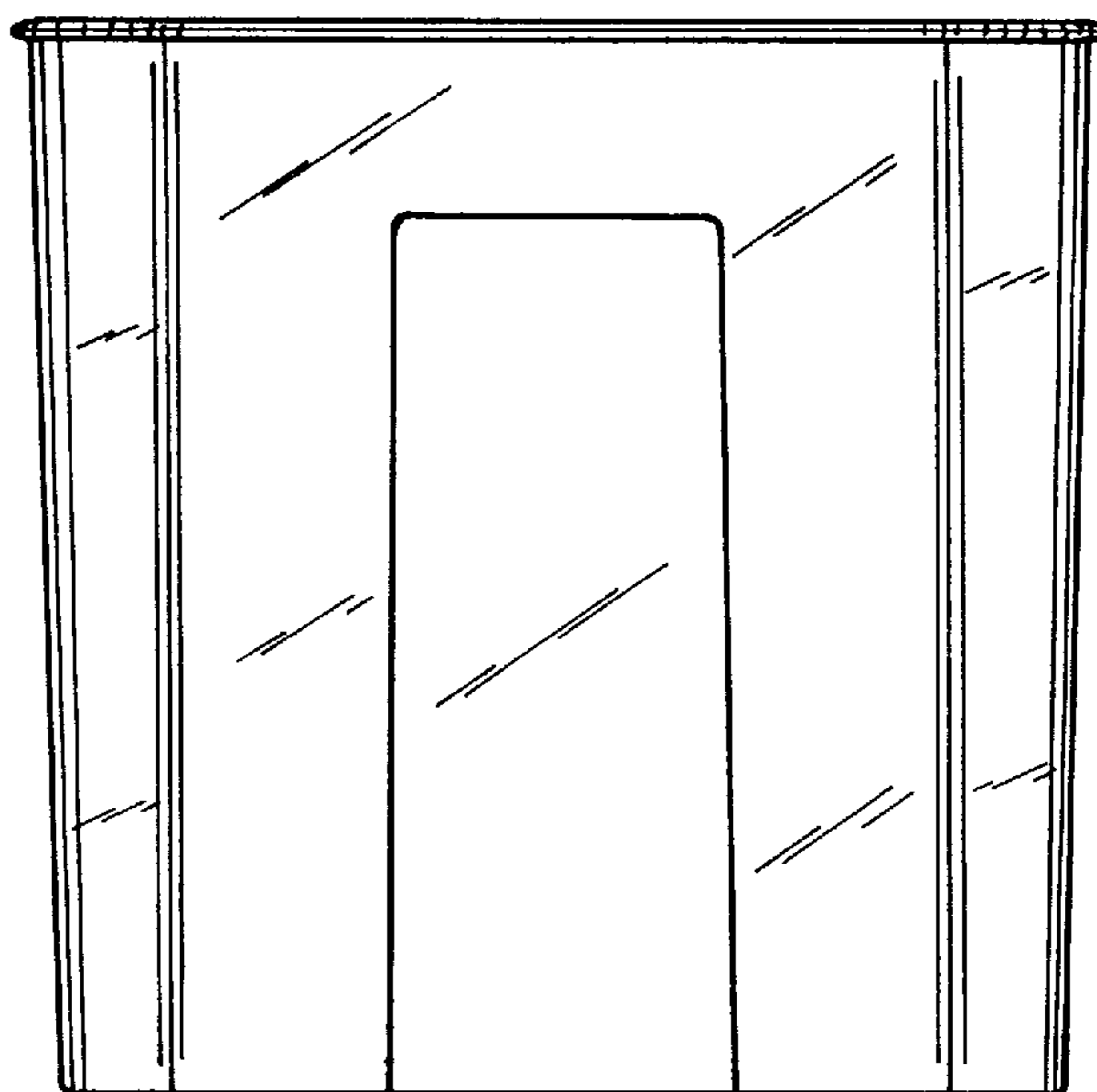


FIG. 9

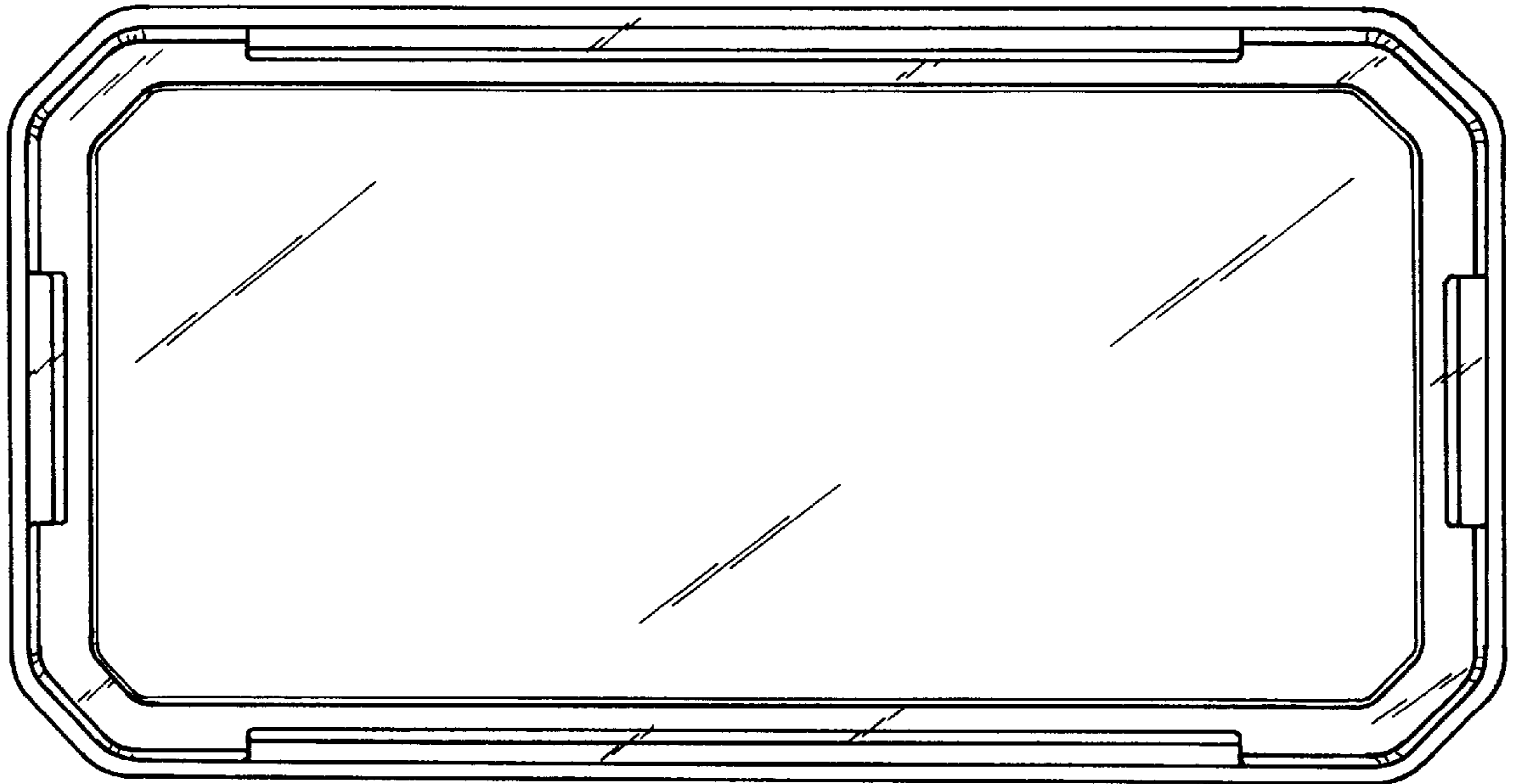


FIG. 10

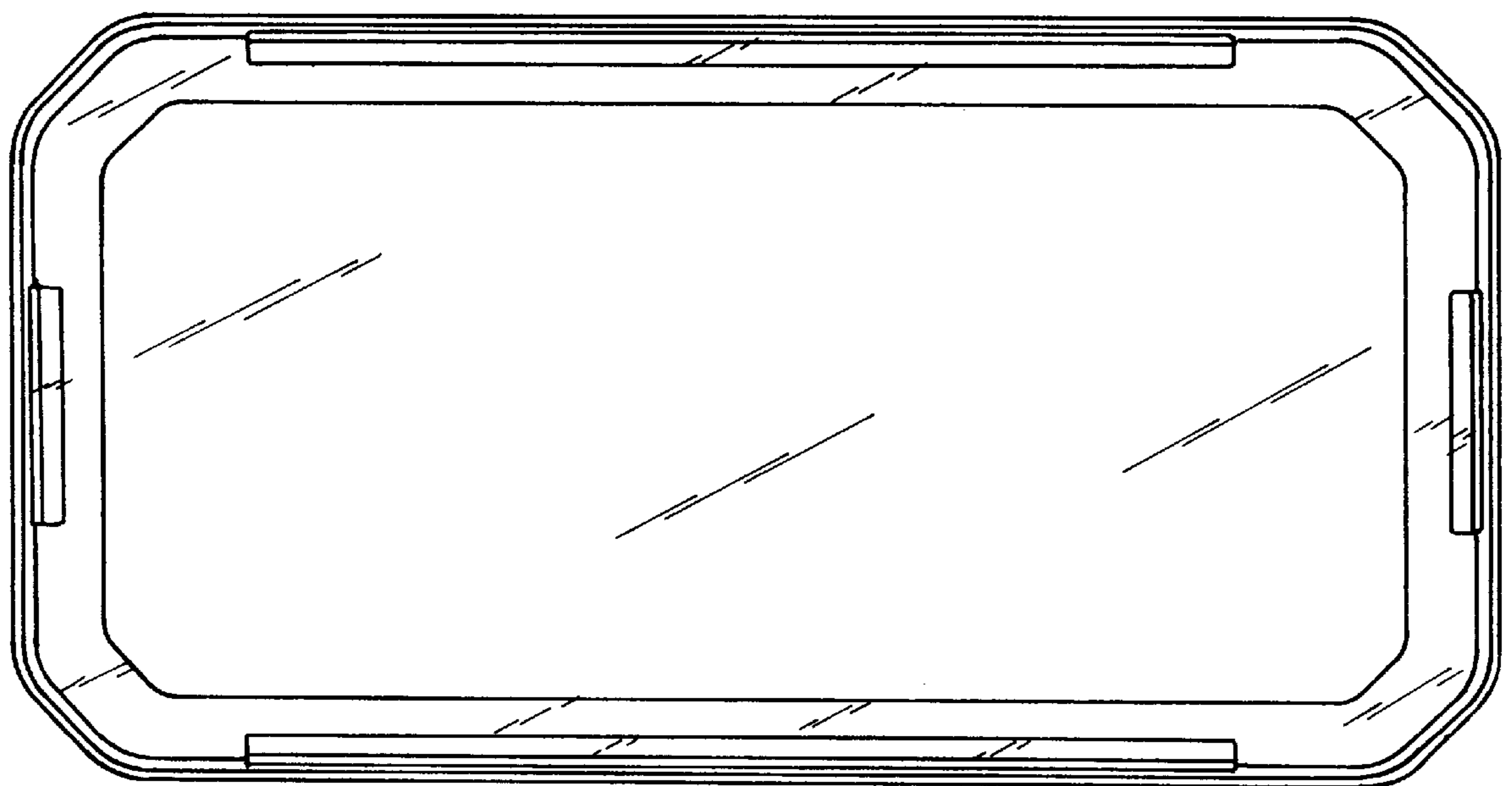


FIG. 11

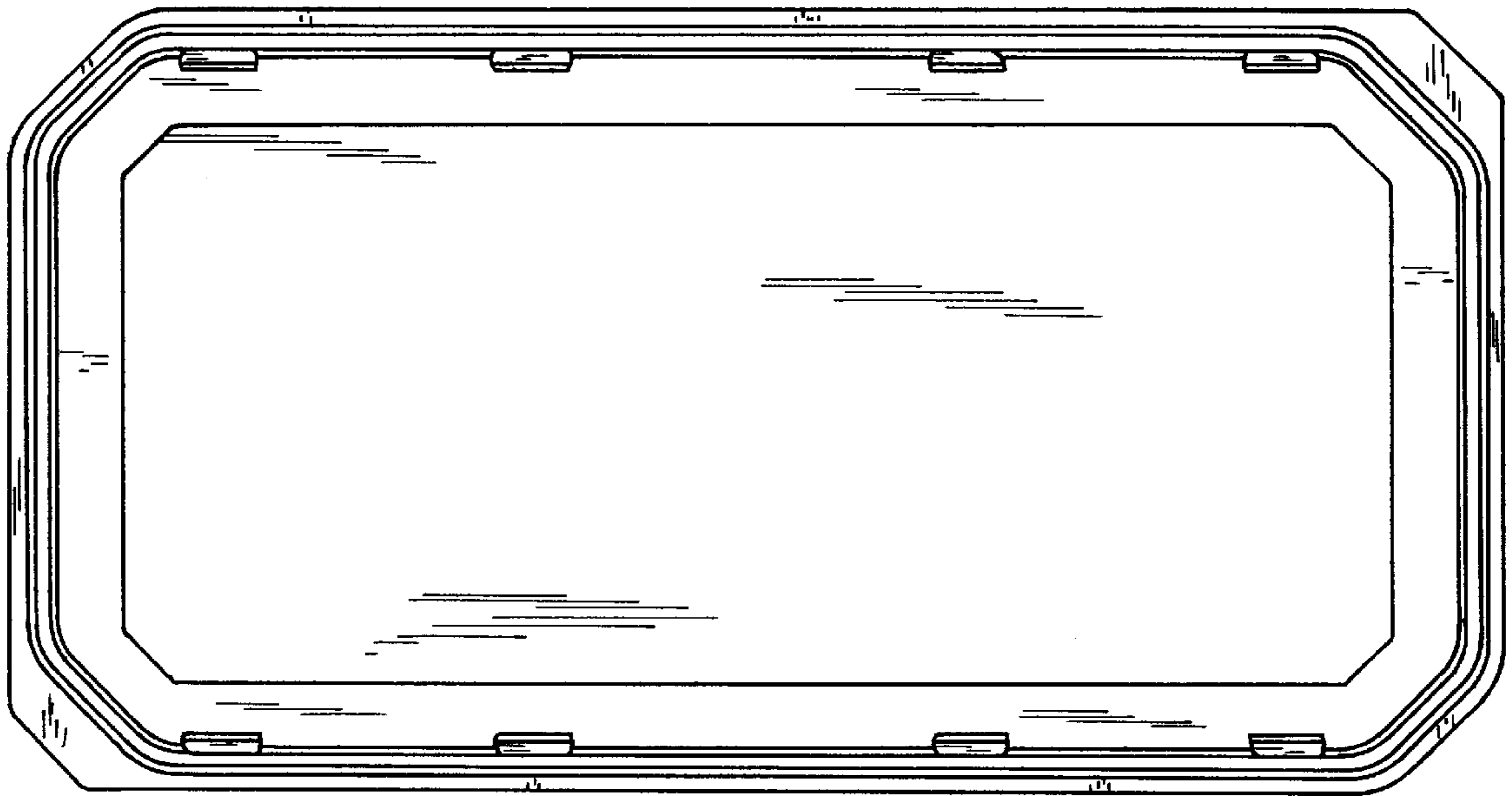


FIG. 12

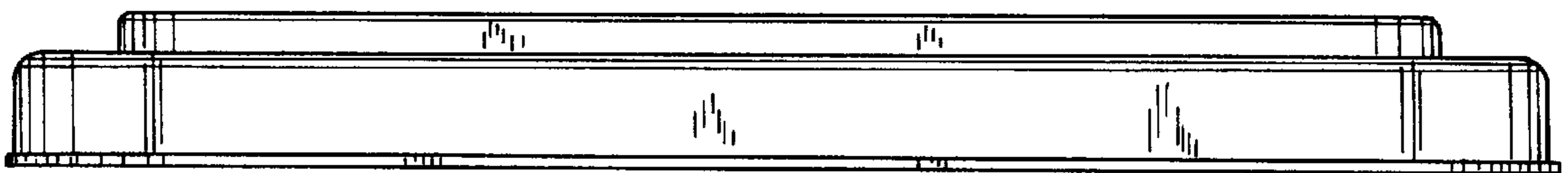


FIG. 13

