



US00D406460S

# United States Patent [19]

Newcomer

[11] Patent Number: Des. 406,460

[45] Date of Patent: \*\*Mar. 9, 1999

[54] COMBINED EYEGLASS CASE AND INSERT

[75] Inventor: Charles H. Newcomer, Wilderville, Oreg.

[73] Assignee: Tec Vision, Inc., Murray, Utah

[\*\*] Term: 14 Years

[21] Appl. No.: 79,883

[22] Filed: Nov. 25, 1997

[51] LOC (6) Cl. .... 03-01

[52] U.S. Cl. .... D3/265; D3/266

[58] Field of Search ..... D3/265, 266; 206/5, 206/6

2,522,909	9/1950	Wadanoli .	
2,529,000	11/1950	Cameron .	
2,692,043	10/1954	Davis .	
2,710,685	6/1955	Baratelli .....	206/5
2,805,766	9/1957	Nathan .....	206/5
3,000,417	9/1961	Goldstein .	
3,050,181	8/1962	Nathan .....	206/5
3,070,141	12/1962	Lowy .	
3,144,127	8/1964	Fogel .	
3,232,638	2/1966	Dishart .	
3,785,480	1/1974	Minasian .	
4,340,168	7/1982	Webinger .....	206/5
4,865,186	9/1989	Gates .	
4,899,873	2/1990	Bole et al. .	
4,951,811	8/1990	Lines .	
4,960,208	10/1990	Tempke .	
4,984,682	1/1991	Cummins .....	206/5
5,014,846	5/1991	Walker et al. .	
5,016,749	5/1991	Kaye et al. .	
5,085,317	2/1992	Jensen et al. .	
5,249,675	10/1993	Strauss et al. .	
5,333,732	8/1994	Budny et al. ....	206/5
5,344,002	9/1994	Baczkowski .	
5,513,744	5/1996	Yabarra .....	206/5
5,590,760	1/1997	Astarb .....	206/5
5,706,935	1/1998	Lorton .	

[56] References Cited

U.S. PATENT DOCUMENTS

51,957	1/1866	Minor .	
D. 148,815	2/1948	Olevin .	
D. 161,850	2/1951	Maier .....	D3/266
D. 175,537	9/1955	Combridge .	
D. 176,236	11/1955	Stegeman .	
D. 179,462	12/1956	Stegeman .	
D. 229,098	11/1973	Reed .....	D3/266
300,411	6/1884	Borst .	
D. 351,945	11/1994	Kopel .	
410,798	9/1889	Long .	
575,357	1/1897	Koenen .....	206/6
1,004,474	9/1911	Schnorr .	
1,095,744	5/1914	Smith .	
1,277,210	8/1918	Goelkel et al. .	
1,427,947	2/1922	Flitton .	
1,469,524	10/1923	McArthur .	
1,486,119	6/1924	Baker .	
1,503,979	8/1924	Callahan .	
1,633,417	6/1927	Perry .	
1,649,255	11/1927	Robinson .	
1,995,664	3/1935	Boyes .	
1,999,328	4/1935	Lessard .	
2,187,176	1/1940	Schutz .	
2,187,178	1/1940	Schutz .	
2,233,859	3/1941	Wick .	
2,250,636	1/1941	Jerry .	
2,308,112	1/1943	Schutz .	
2,458,567	1/1949	Cramer .	
2,479,472	8/1949	Coplon .	

Primary Examiner—Celia Murphy

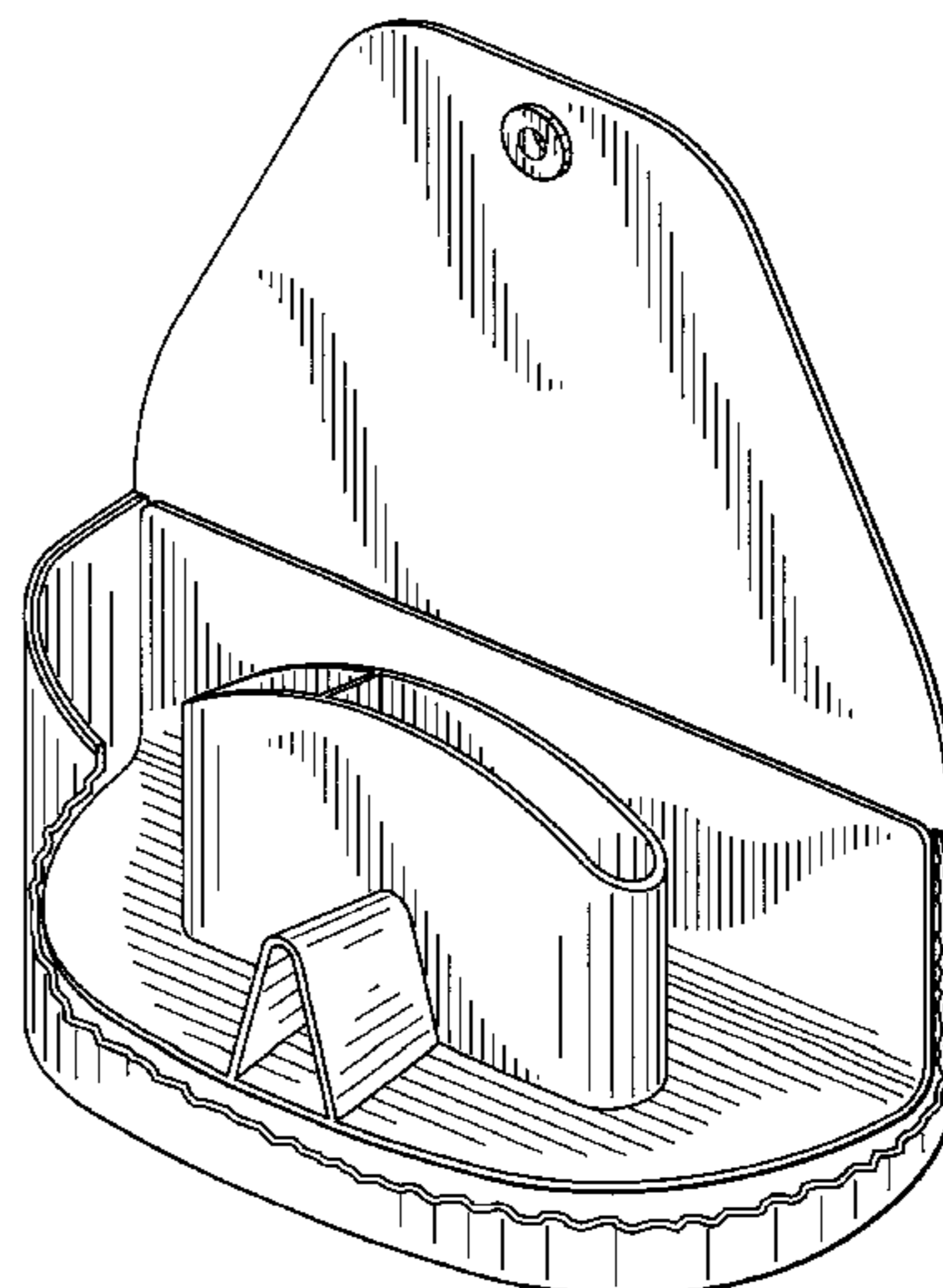
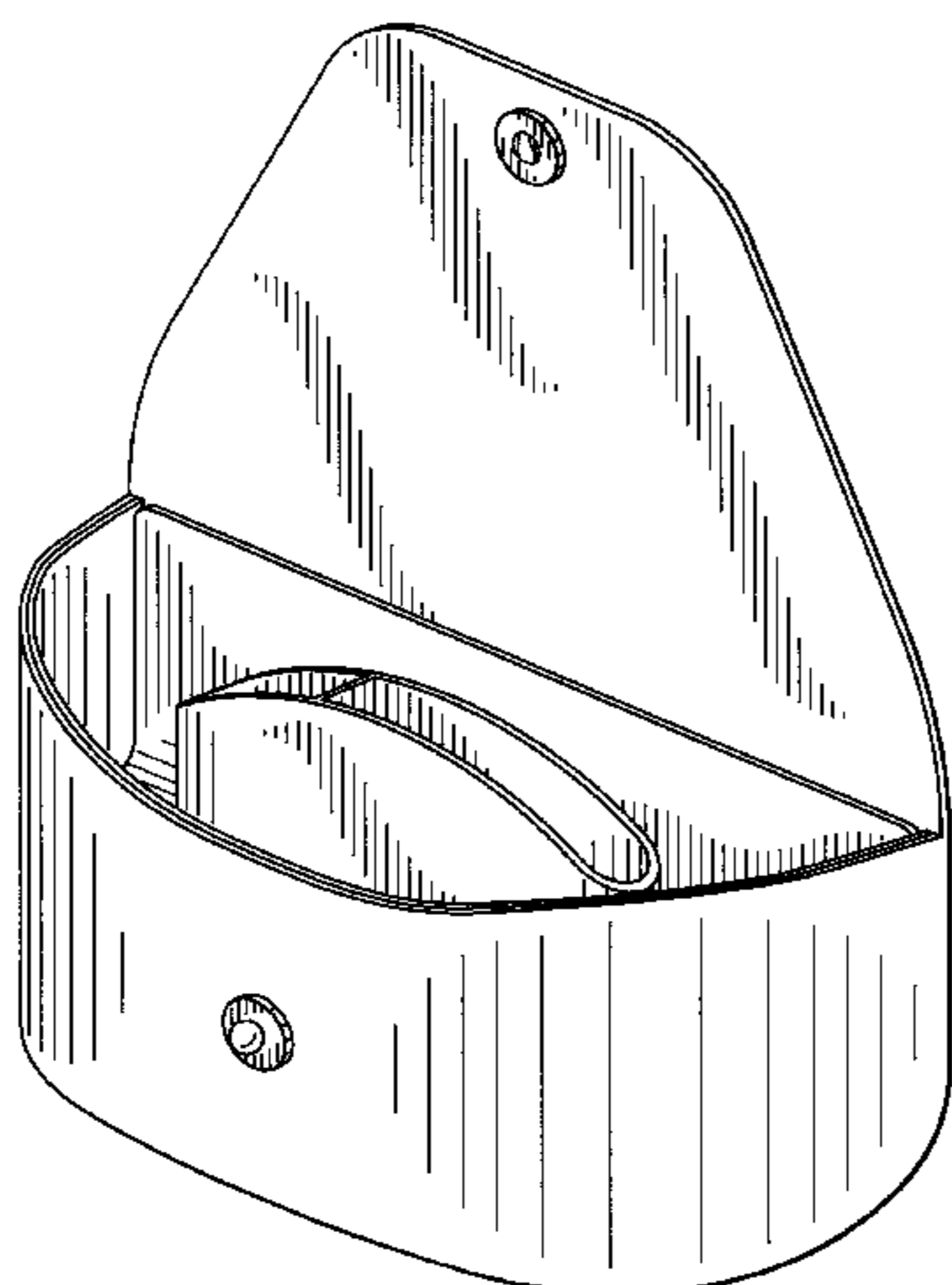
[57] CLAIM

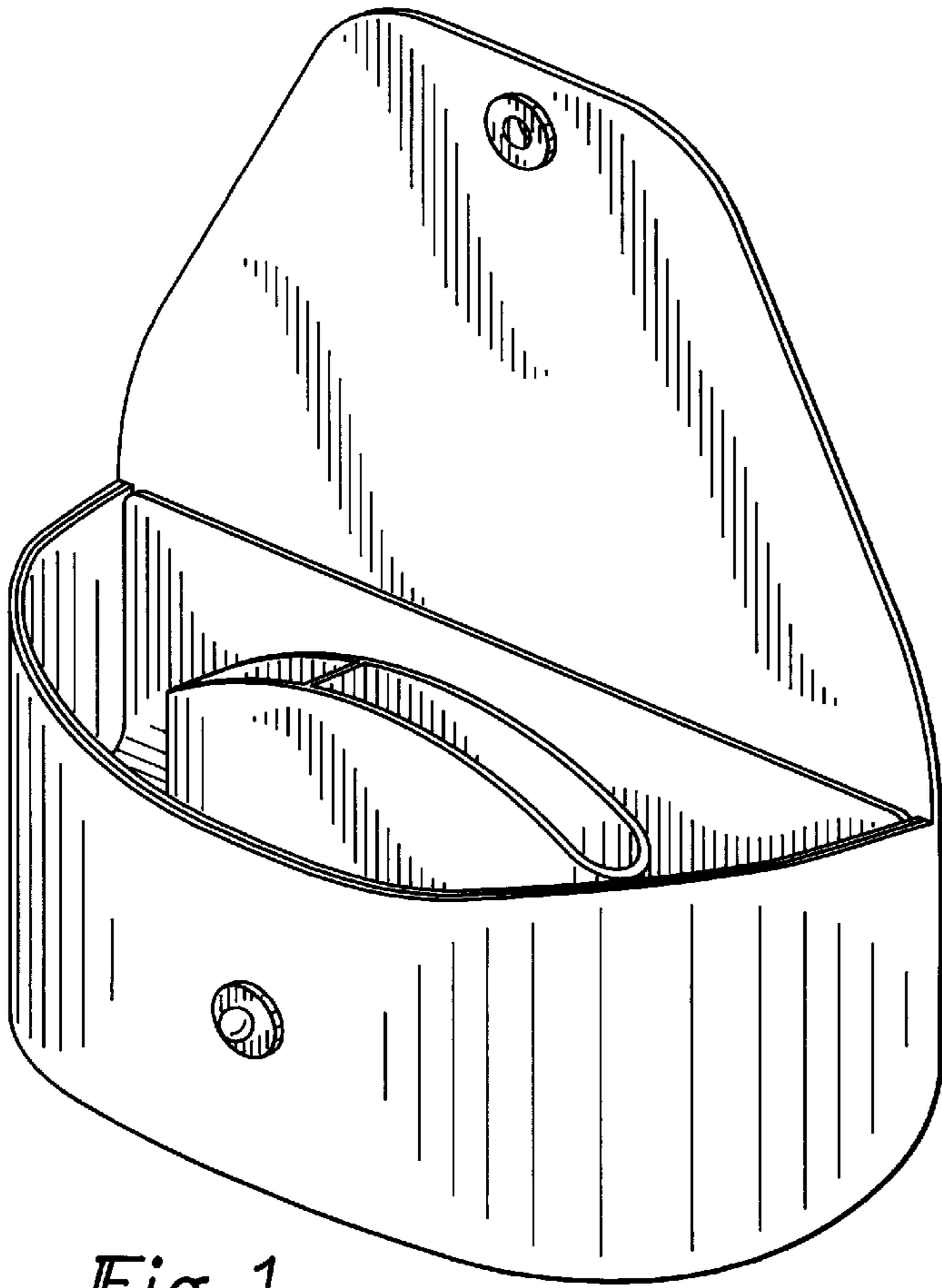
The ornamental design for a combined eyeglass case and insert, as shown and described.

DESCRIPTION

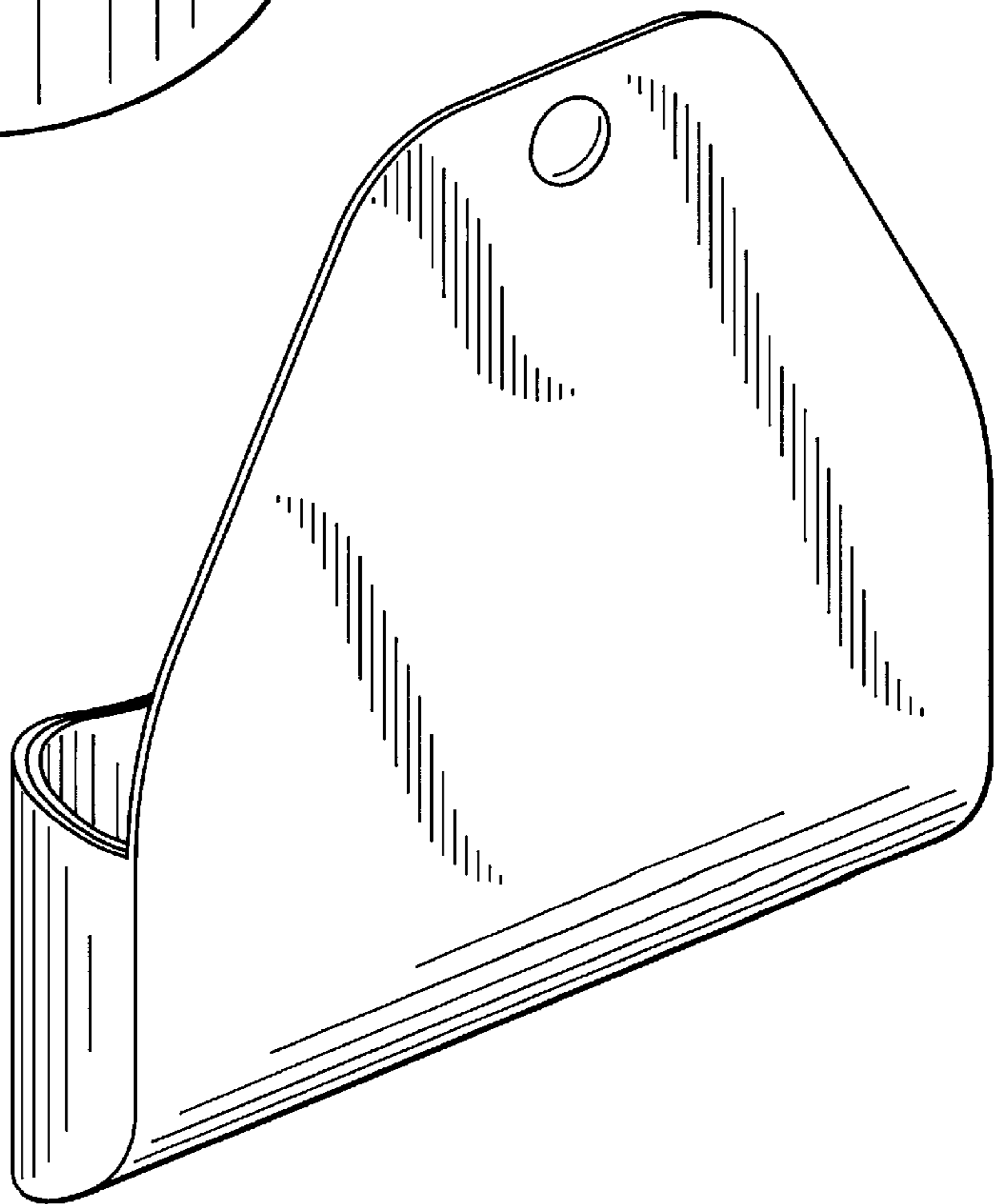
FIG. 1 is a front top perspective view of a combined eyeglass case and insert showing my new design; FIG. 2 is a rear perspective view thereof; FIG. 3 is a front elevational view thereof; FIG. 4 is a rear elevational view thereof; FIG. 5 is a left side elevational view thereof, with the right side elevational view (not shown) being substantially identical; FIG. 6 is a top plan view thereof; FIG. 7 is a bottom plan view thereof, with the cover in a closed position; and, FIG. 8 is a front perspective view thereof; the front portion of the case being broken away for ease of understanding.

1 Claim, 3 Drawing Sheets



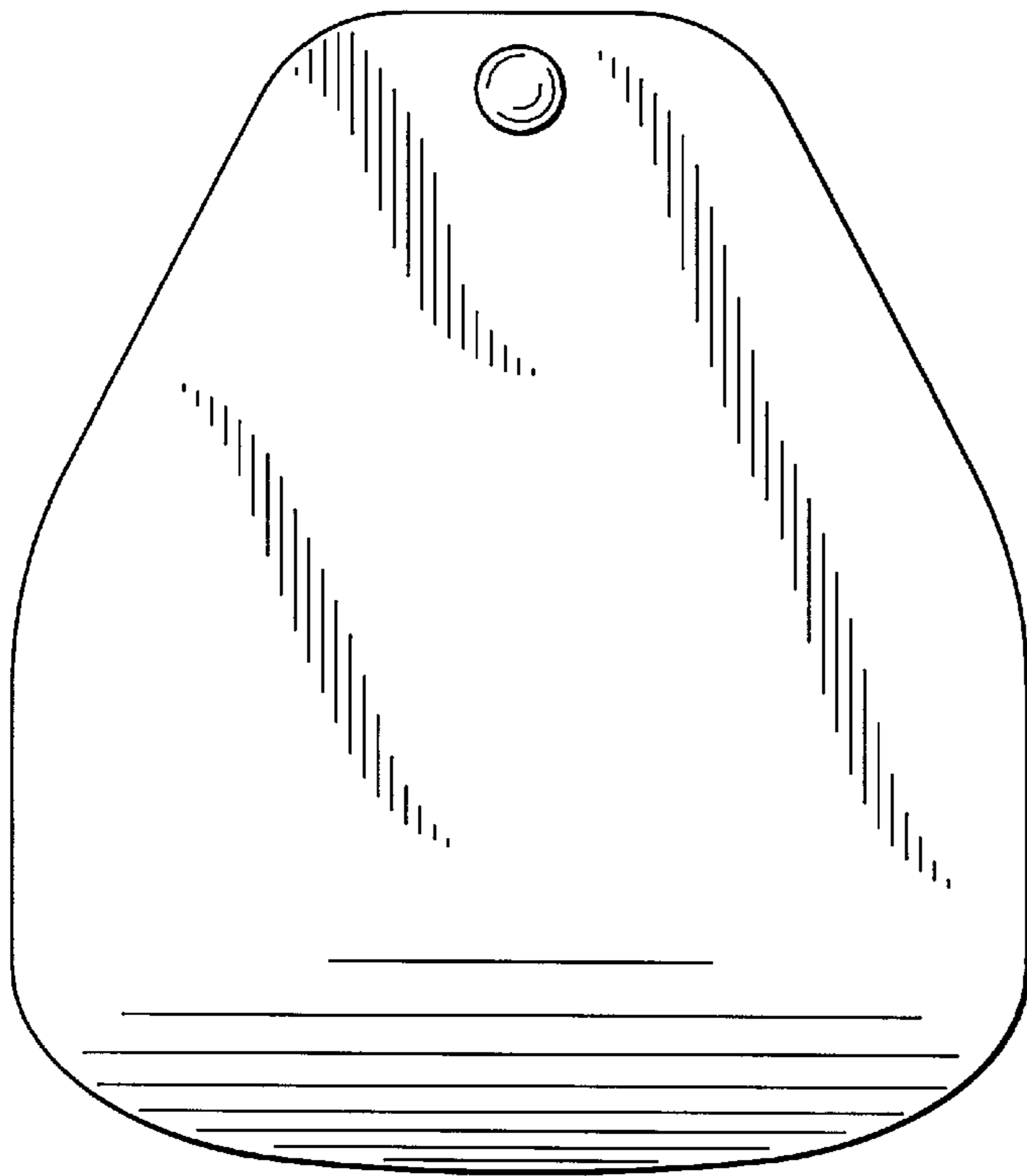
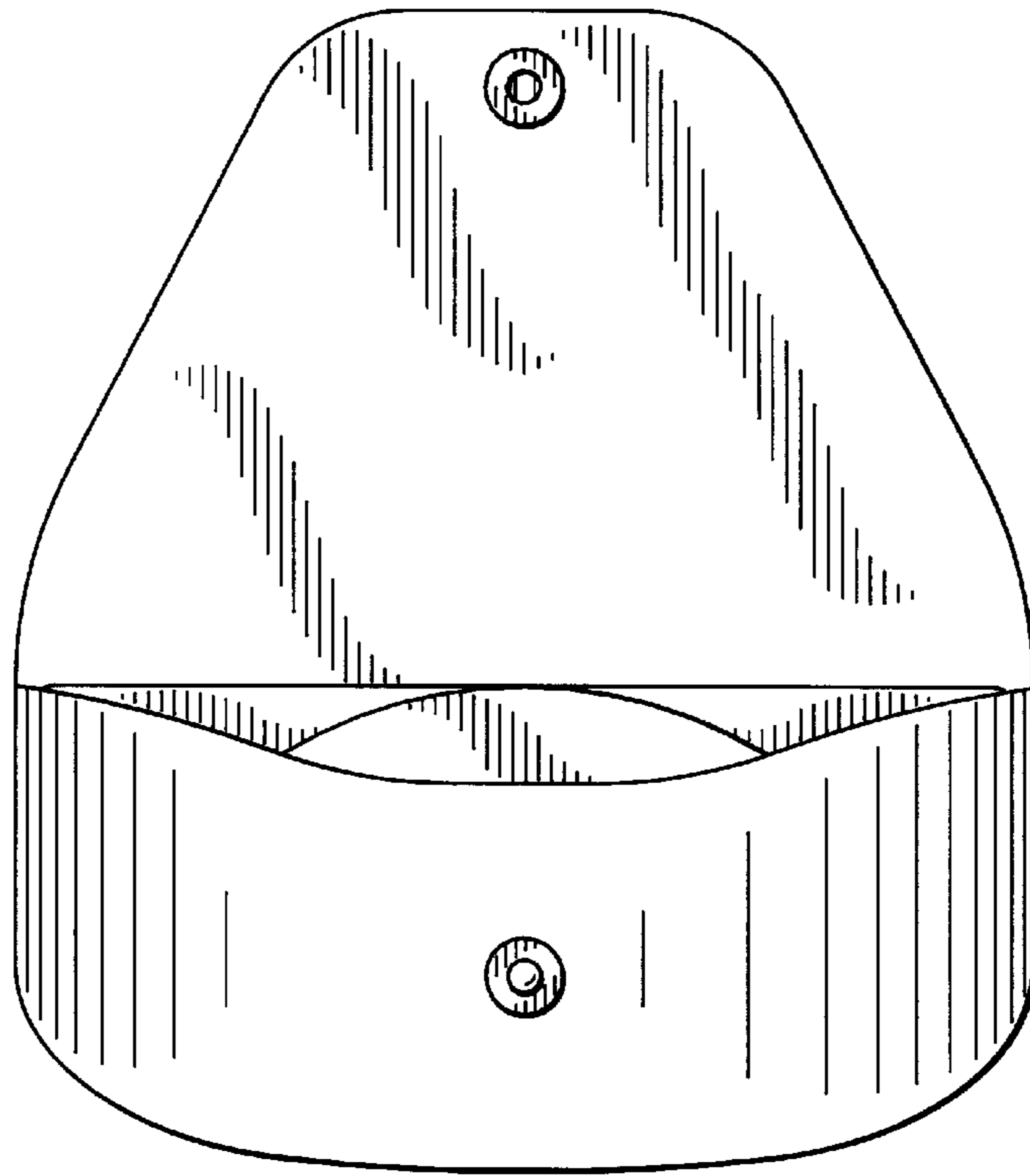


*Fig. 1*

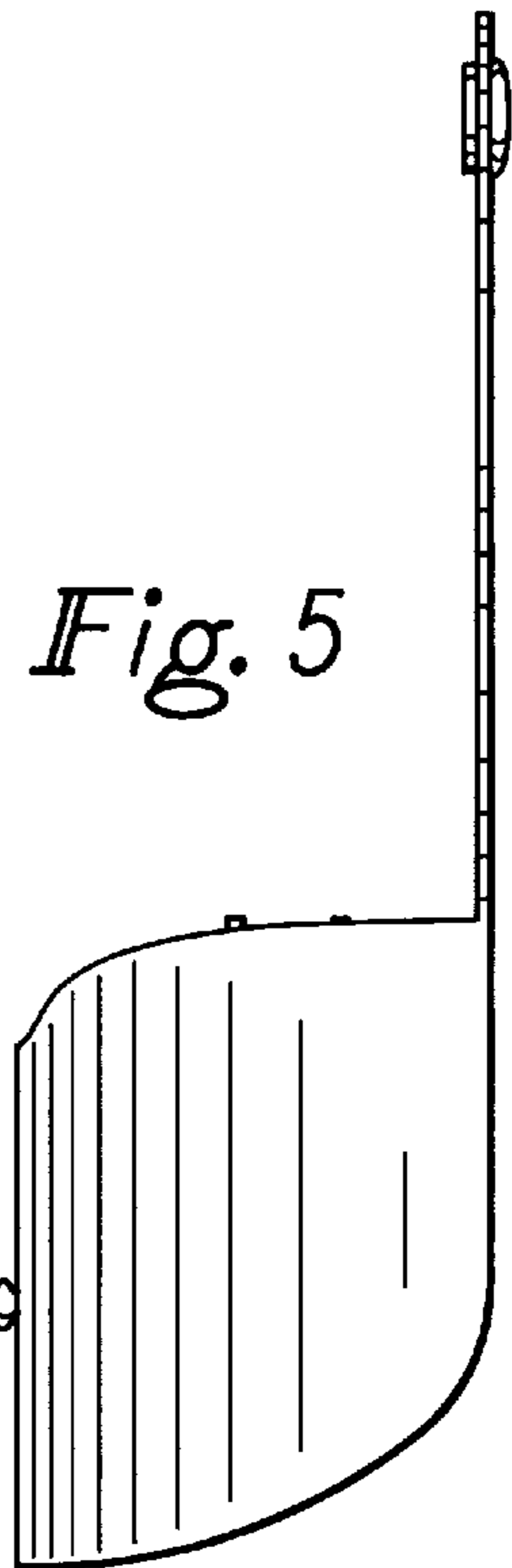


*Fig. 2*

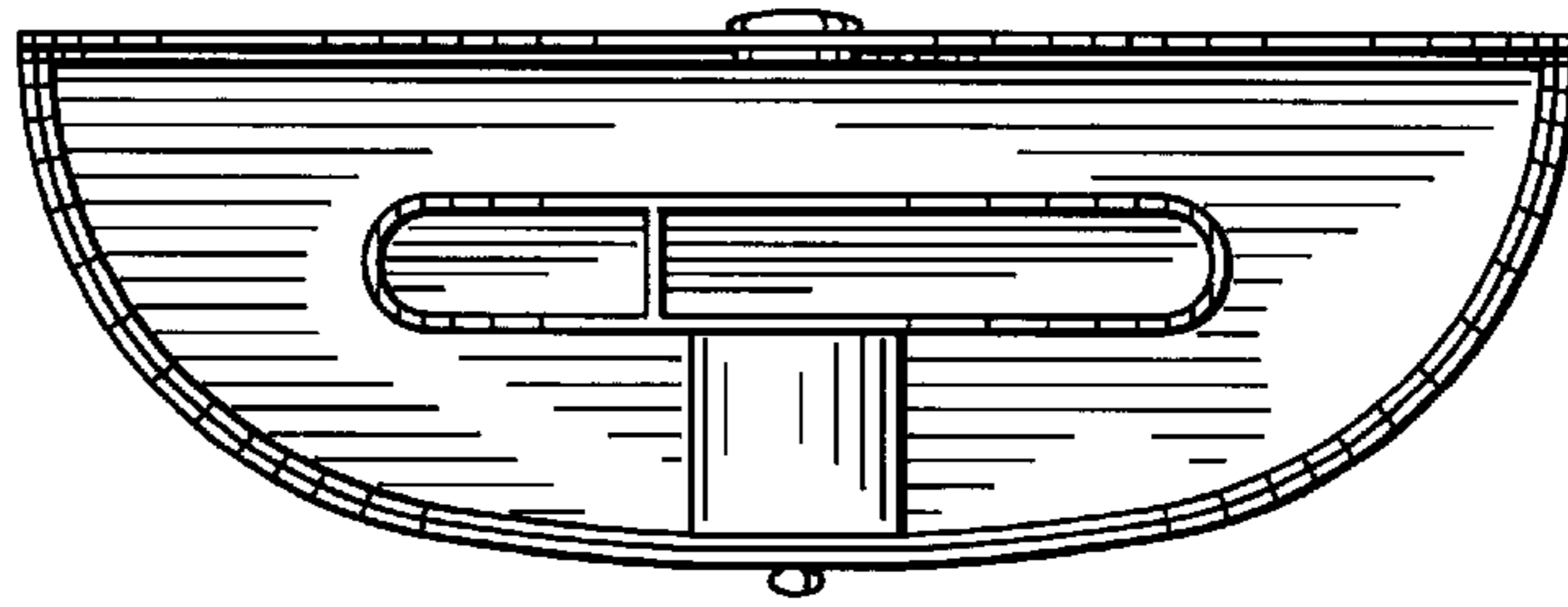
*Fig. 3*



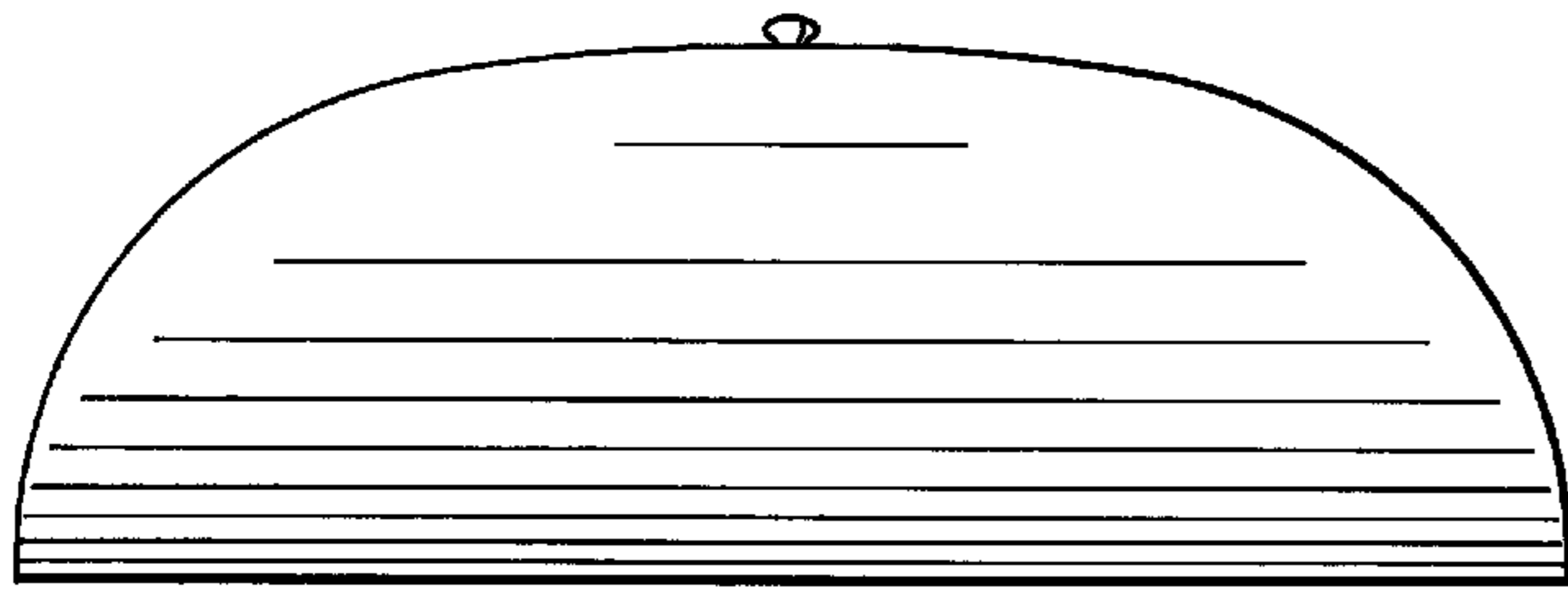
*Fig. 4*



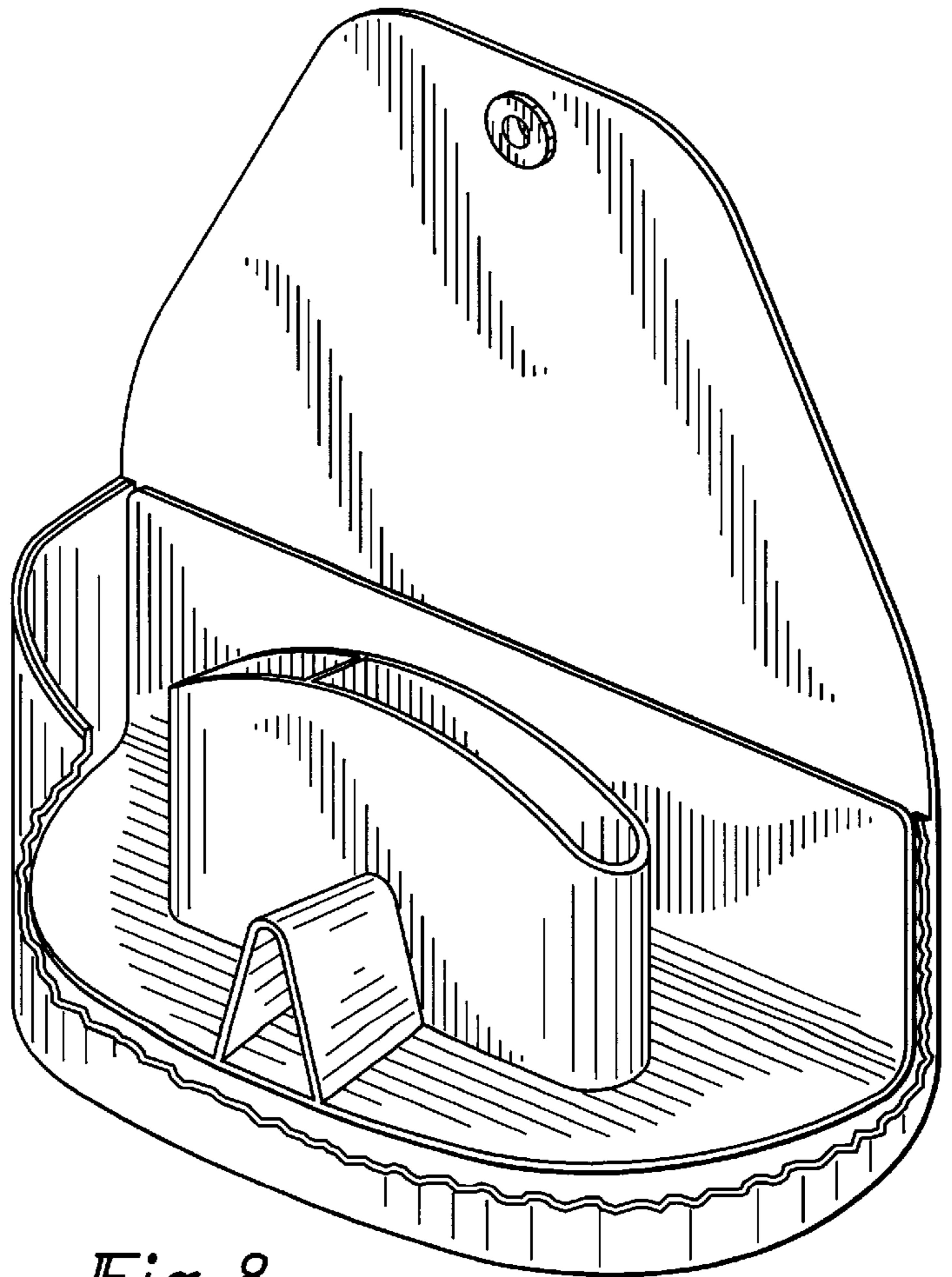
*Fig. 5*



*Fig. 6*



*Fig. 7*



*Fig. 8*