



US00D406457S

United States Patent [19]
De Baschmakoff

[11] **Patent Number: Des. 406,457**

[45] **Date of Patent: **Mar. 9, 1999**

[54] **HANDBAG**

[75] Inventor: **Thierry De Baschmakoff**, Paris, France

[73] Assignee: **Bulgari Time (Switzerland) S.A.**,
Neuchatel, Switzerland

[**] Term: **14 Years**

[21] Appl. No.: **80,171**

[22] Filed: **Dec. 2, 1997**

[30] **Foreign Application Priority Data**

Jul. 9, 1997 [XH] Hague Agreement DM/040748

[51] **LOC (6) Cl.** **03-01**

[52] **U.S. Cl.** **D3/243; D3/232; D3/245;**
D3/246

[58] **Field of Search** D3/232, 243, 245,
D3/246; 150/118, 164; 190/108

[56] **References Cited**

U.S. PATENT DOCUMENTS

D. 227,818 7/1973 Dipadova 190/108

D. 384,812	10/1997	Heffelfinger	D3/245 X
2,604,917	7/1952	Reilly	150/113
2,784,756	3/1957	Resnick	150/118
2,798,524	7/1957	Ryon	150/103
3,452,405	7/1969	Paynor	150/107

Primary Examiner—Louis S. Zarfes
Assistant Examiner—Monica A. Weingart
Attorney, Agent, or Firm—Ladas & Parry

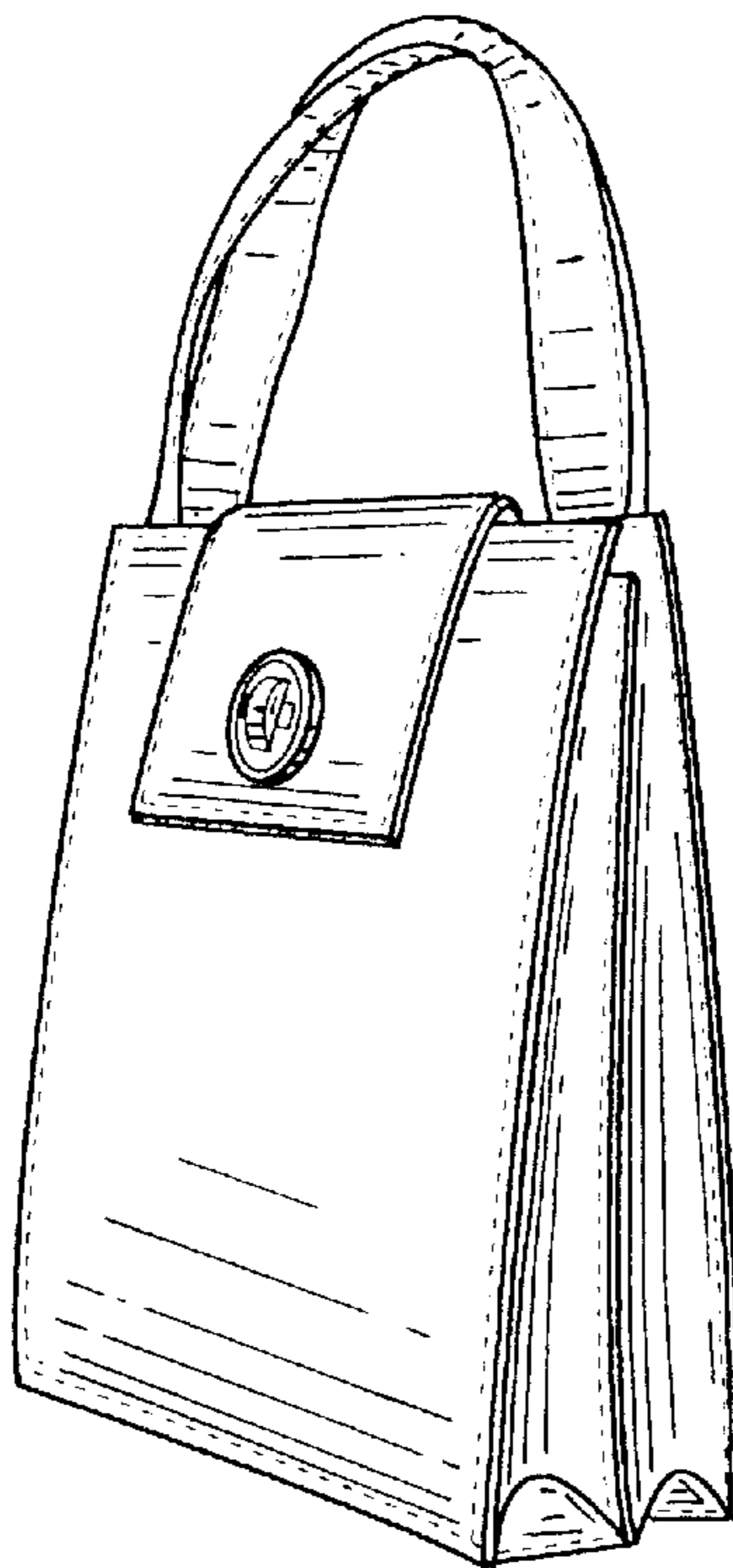
[57] **CLAIM**

The ornamental design for a handbag, as shown and described.

DESCRIPTION

FIG. 1 shows a front view of the handbag;
FIG. 2 shows a left side view of the handbag;
FIG. 3 shows a rear view of the handbag;
FIG. 4 shows a right side view of the handbag;
FIG. 5 shows a top view of the handbag;
FIG. 6 shows a bottom view of the handbag; and,
FIG. 7 shows a perspective view of the handbag.

1 Claim, 3 Drawing Sheets



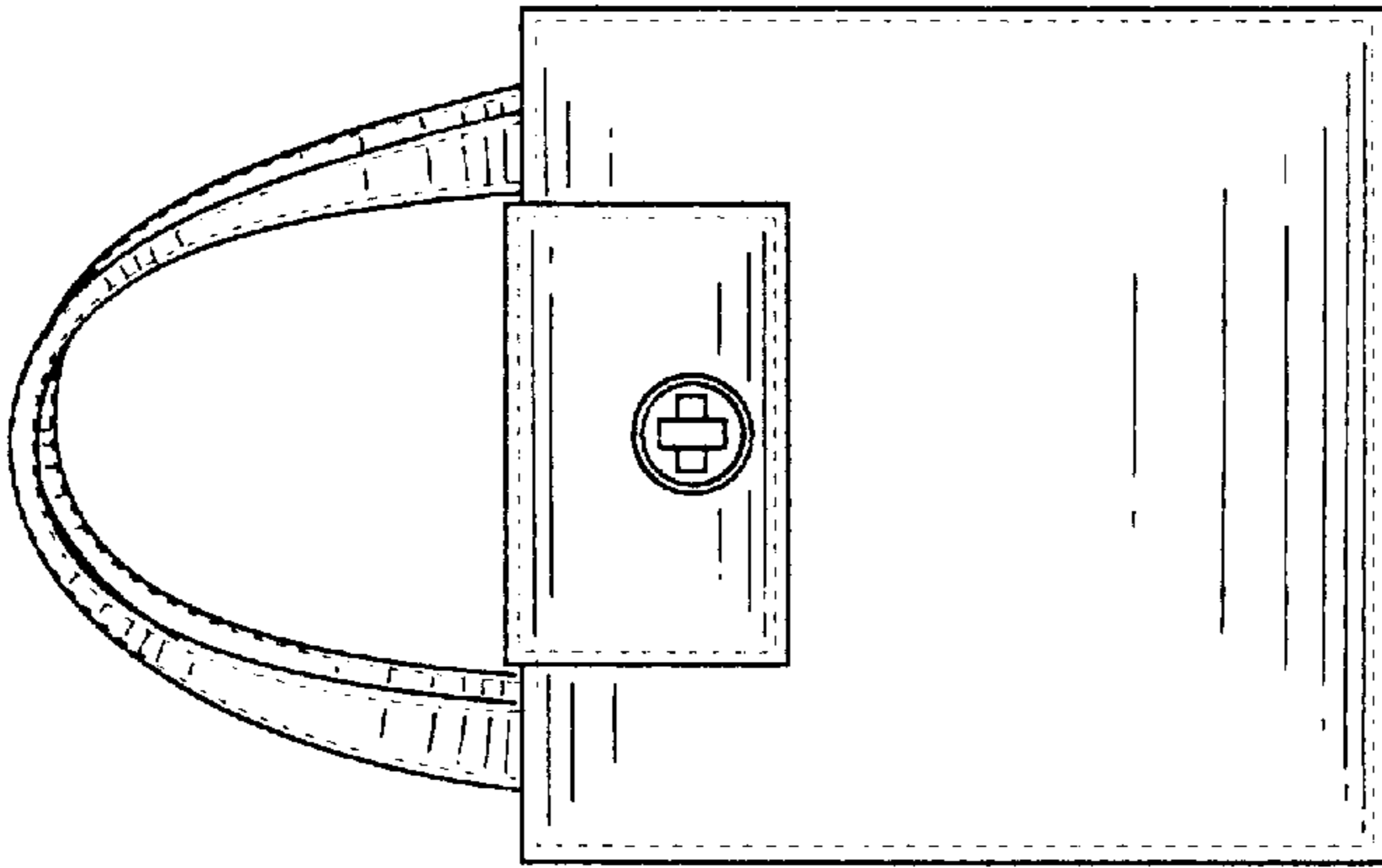


FIG. 1

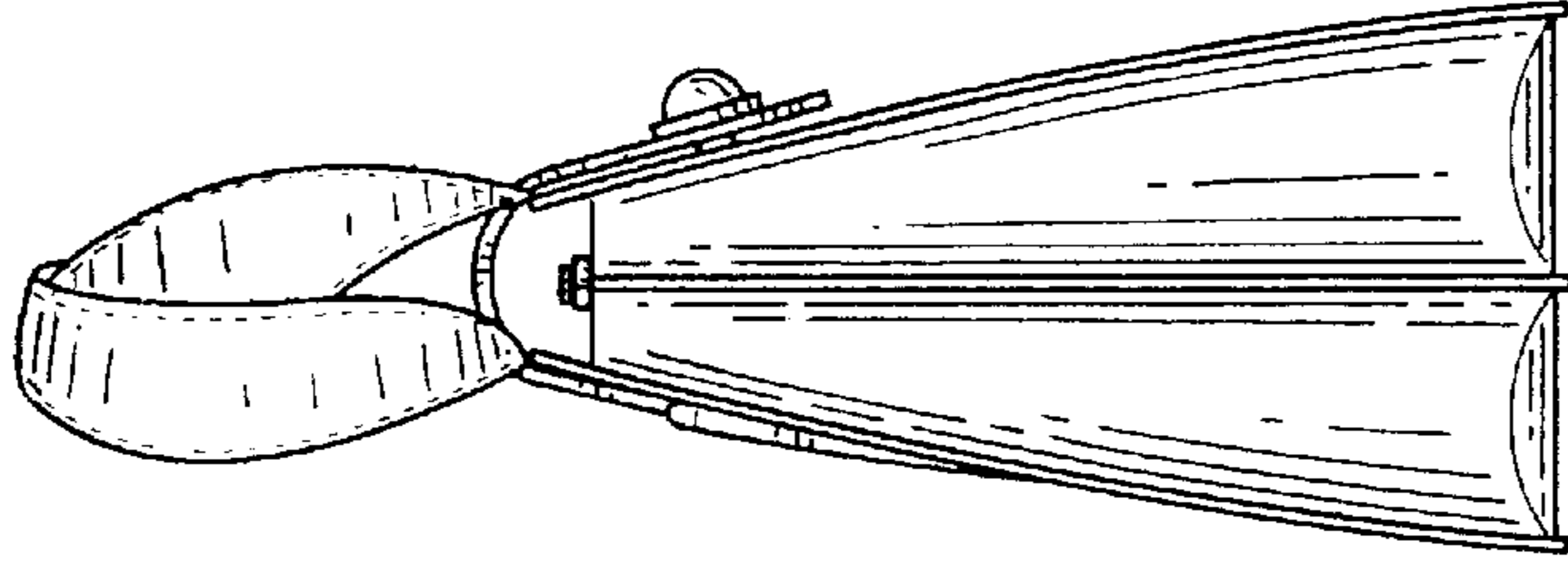


FIG. 2

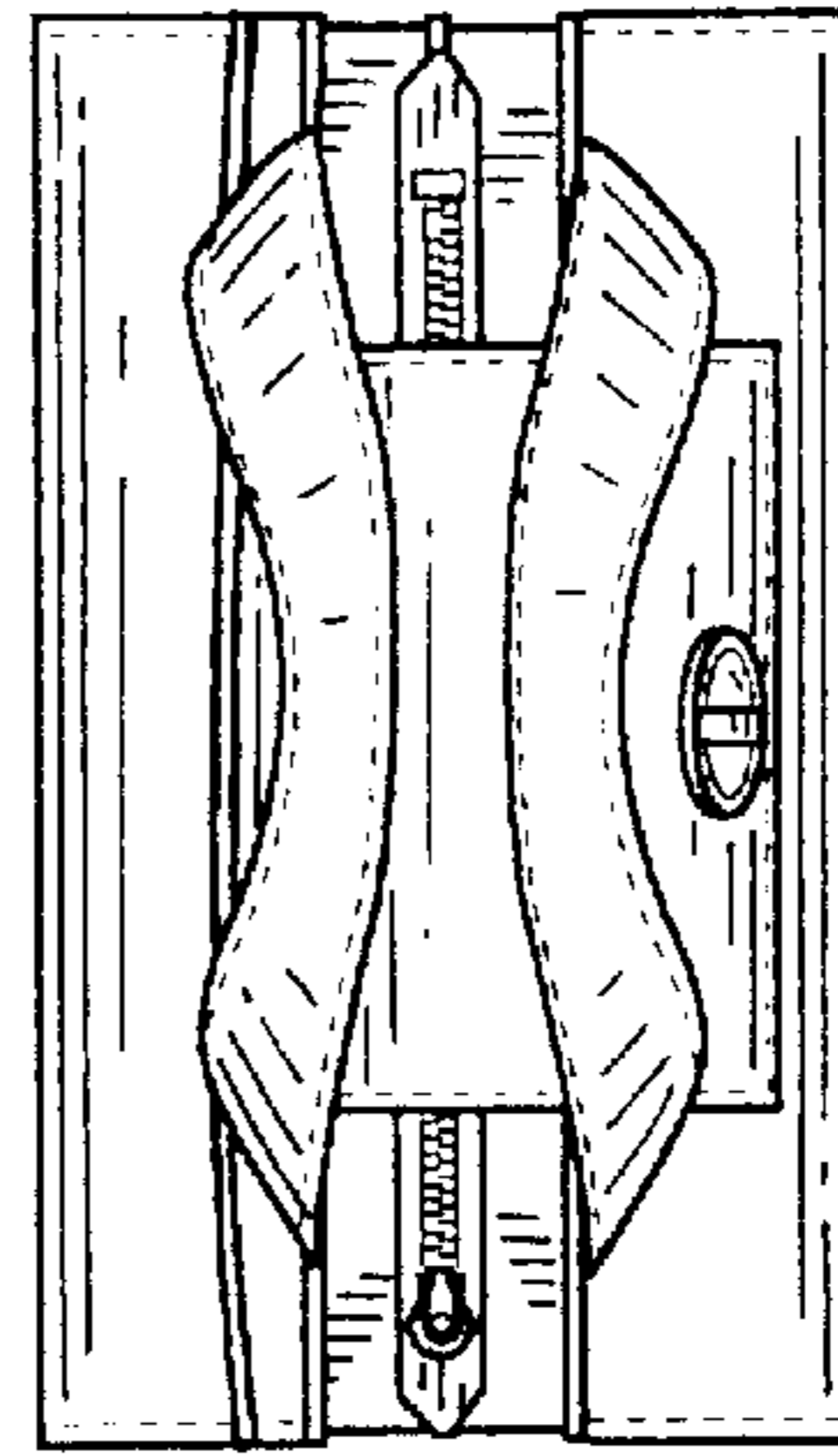


FIG. 5

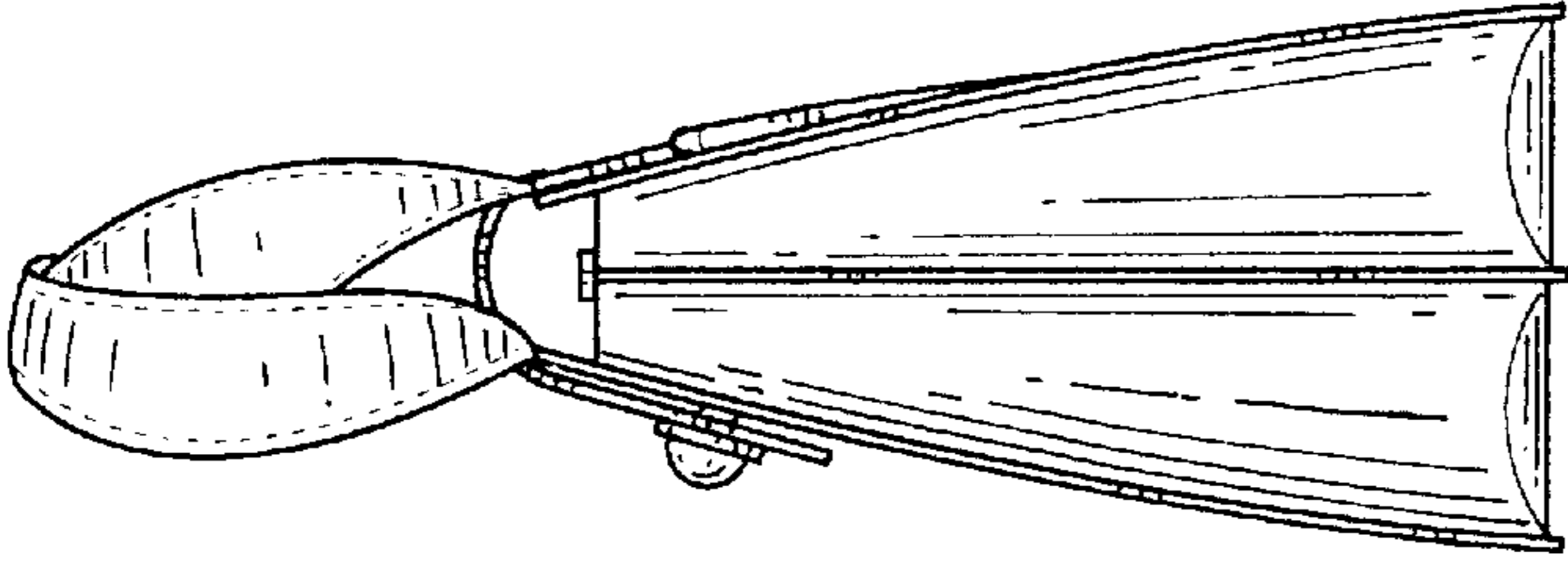


FIG. 4

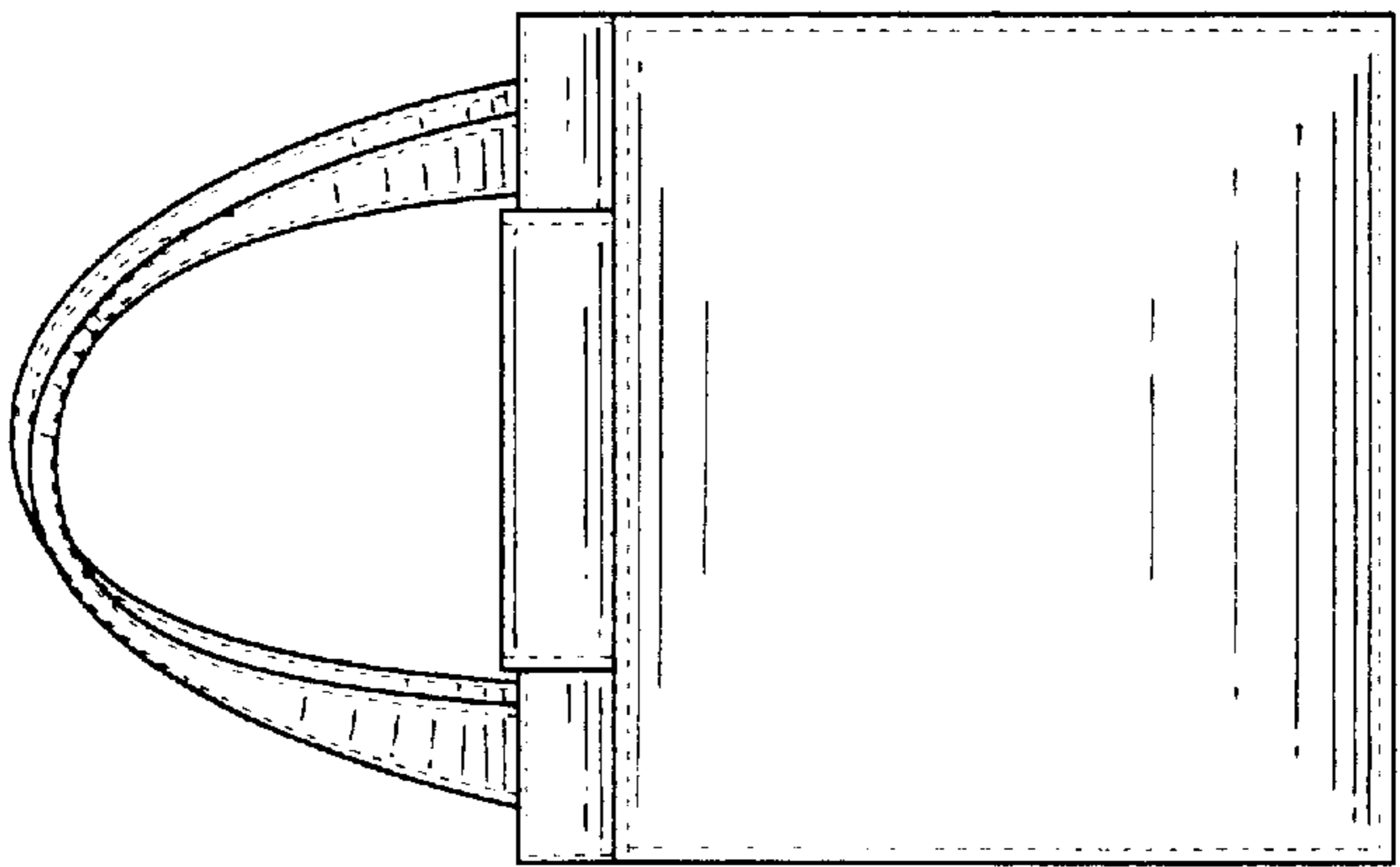


FIG. 3

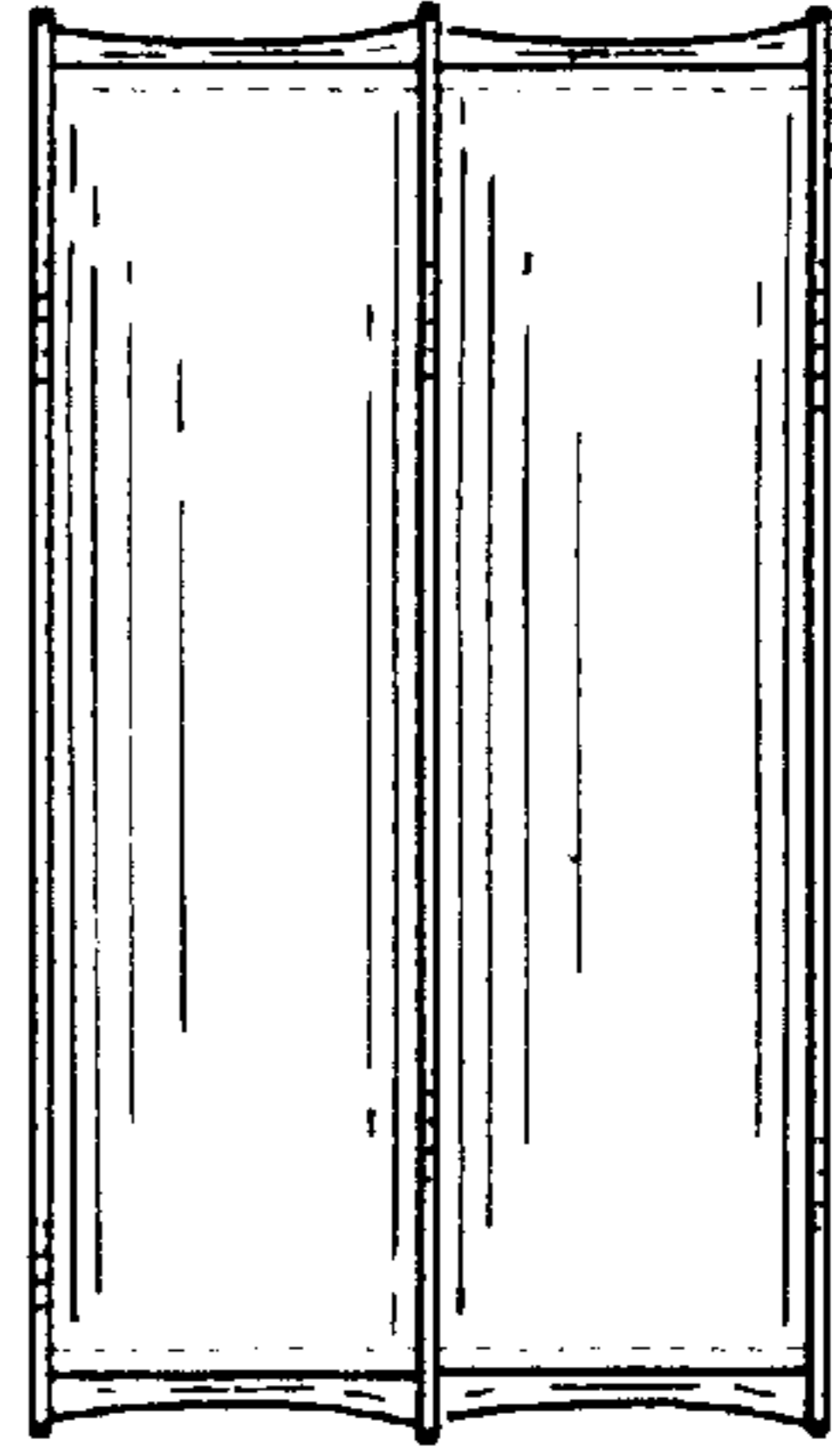


FIG. 6

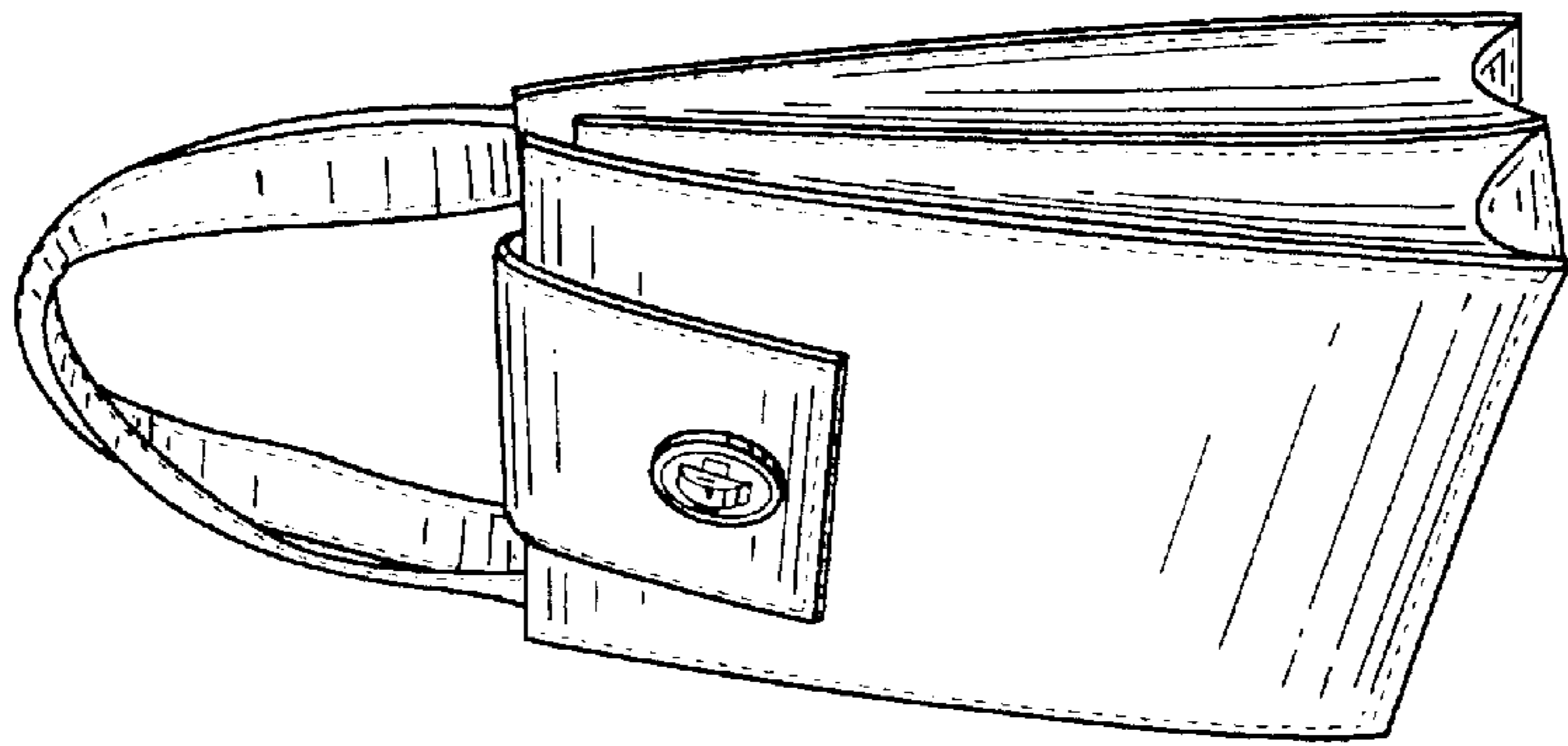


FIG. 7