



US00D406456S

# United States Patent [19] McDermott

[11] **Patent Number: Des. 406,456**

[45] **Date of Patent: \*\*Mar. 9, 1999**

[54] **ORGANIZER**

[75] Inventor: **Amy J. McDermott**, Unadilla, N.Y.

[73] Assignee: **Cullman Ventures, Inc.**, New York, N.Y.

[\*\*] Term: **14 Years**

[21] Appl. No.: **76,540**

[22] Filed: **Sep. 12, 1997**

[51] **LOC (6) Cl. .... 03-01**

[52] **U.S. Cl. .... D3/232; D3/201; D3/233**

[58] **Field of Search .... D3/201, 232, 233; 150/110, 117; 190/903; 383/14**

2,554,215	5/1951	Schell et al. ....	383/14
2,620,005	12/1952	Hall .	
2,717,015	9/1955	Berry .....	150/117
3,944,032	3/1976	Samhammer et al. ....	190/903
3,955,609	5/1976	Siegel .	
4,192,365	3/1980	Siegel .	
5,255,835	10/1993	Burks .	
5,409,153	4/1995	Ristich .	
5,439,154	8/1995	Delligatti .....	D3/232 X

*Primary Examiner*—Louis S. Zarfaz  
*Assistant Examiner*—Monica A. Weingart  
*Attorney, Agent, or Firm*—Trapani & Molldrem

### [57] CLAIM

The ornamental design for an organizer, as shown and described.

### [56] References Cited

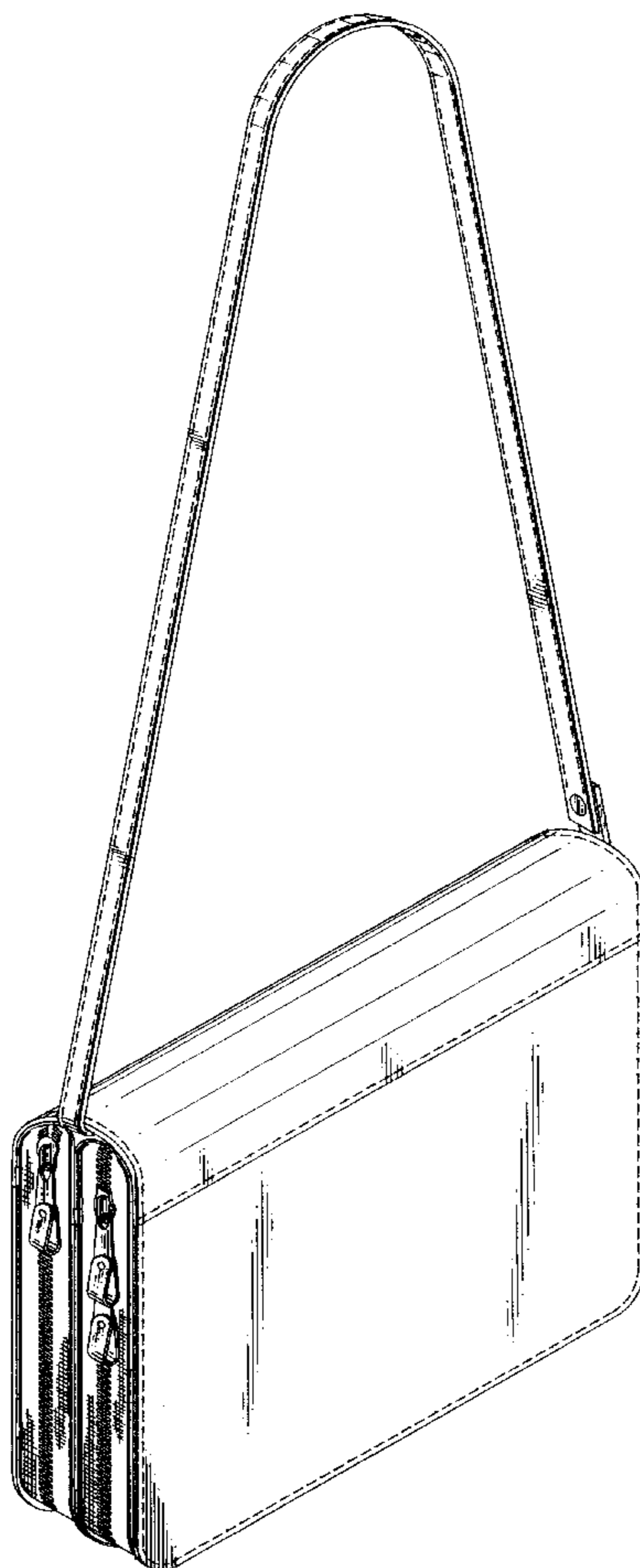
#### U.S. PATENT DOCUMENTS

D. 382,703	8/1997	Alves et al. ....	D3/201
1,359,320	11/1920	Brenan .	
1,492,677	5/1924	Dunbar et al. .	
1,895,018	1/1933	Wolf .	
2,068,507	1/1937	Nagel .....	150/110
2,413,465	12/1946	Ohlsen .	
2,477,388	7/1949	Moore .	
2,479,824	8/1949	Fass .....	190/903
2,523,129	9/1950	Maier .	
2,533,850	12/1950	Syracuse .	

### DESCRIPTION

FIG. 1 is a perspective view of an organizer showing my new design;  
FIG. 2 is a front elevation view thereof, the rear elevation view being identical;  
FIG. 3 is a right side elevation view thereof;  
FIG. 4 is a left side elevational view thereof;  
FIG. 5 is a top plan view thereof; and,  
FIG. 6 is a bottom plan view thereof.

**1 Claim, 4 Drawing Sheets**



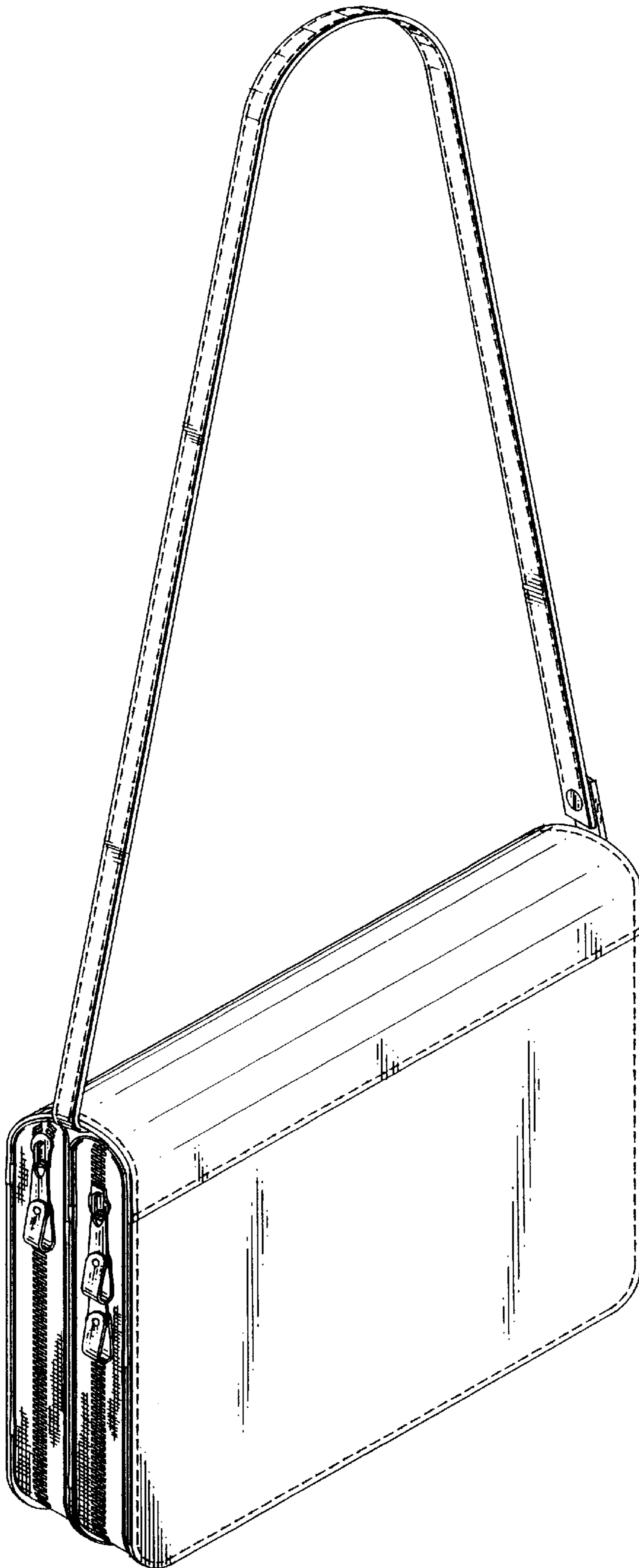


FIG. 1

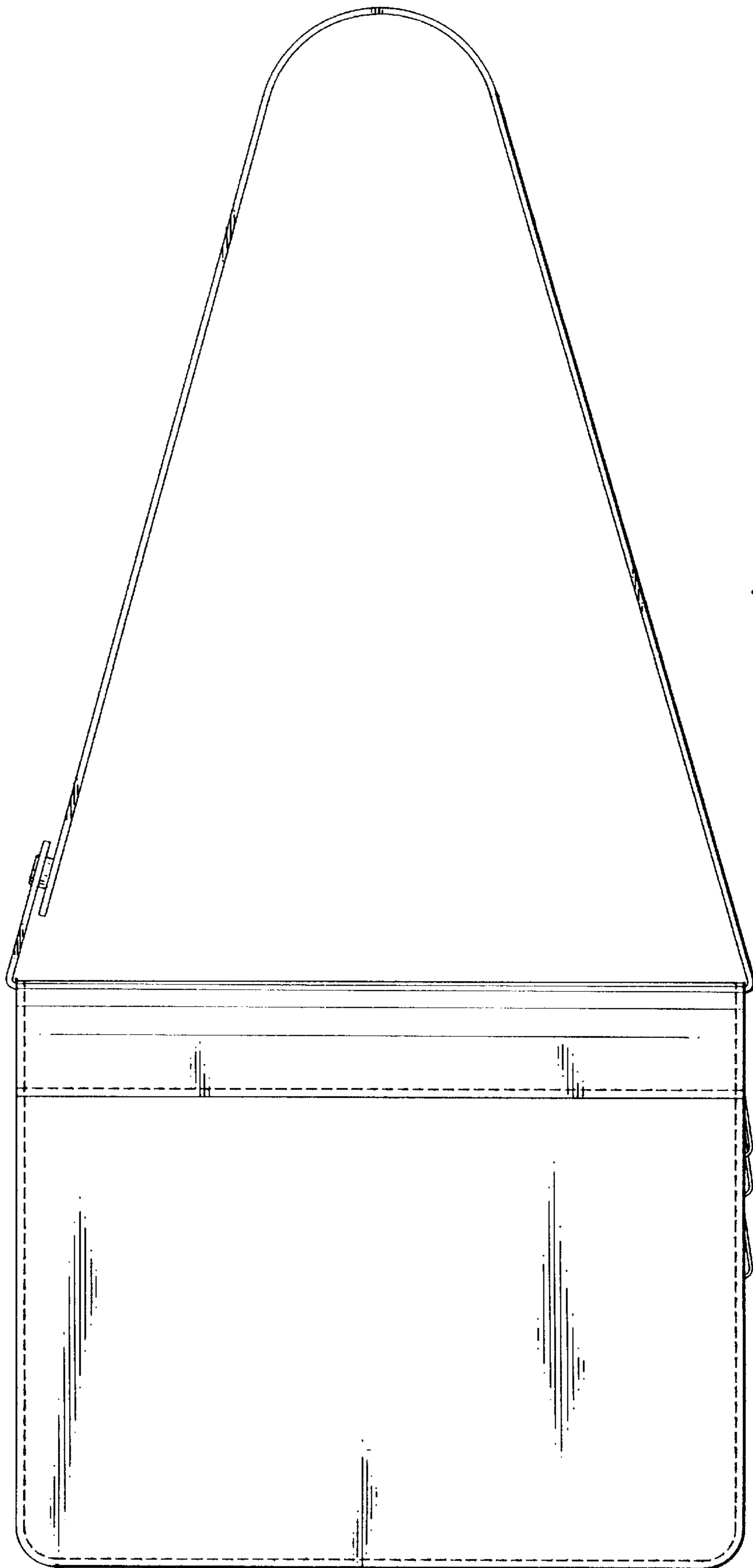


FIG. 2

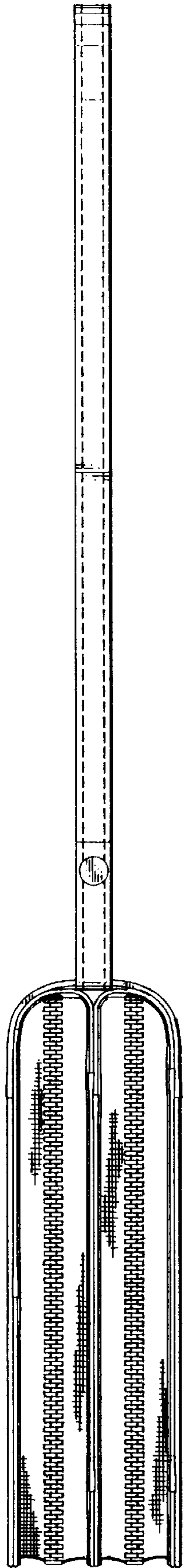


FIG. 3

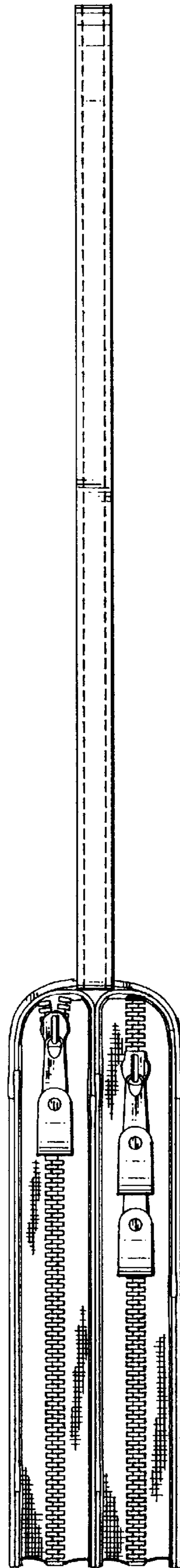


FIG. 4

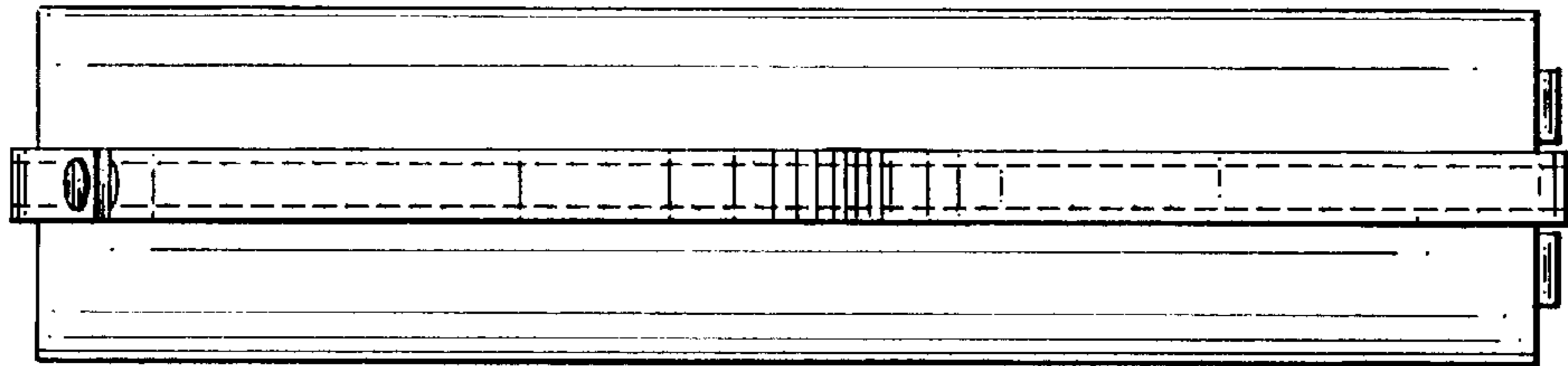


FIG. 5

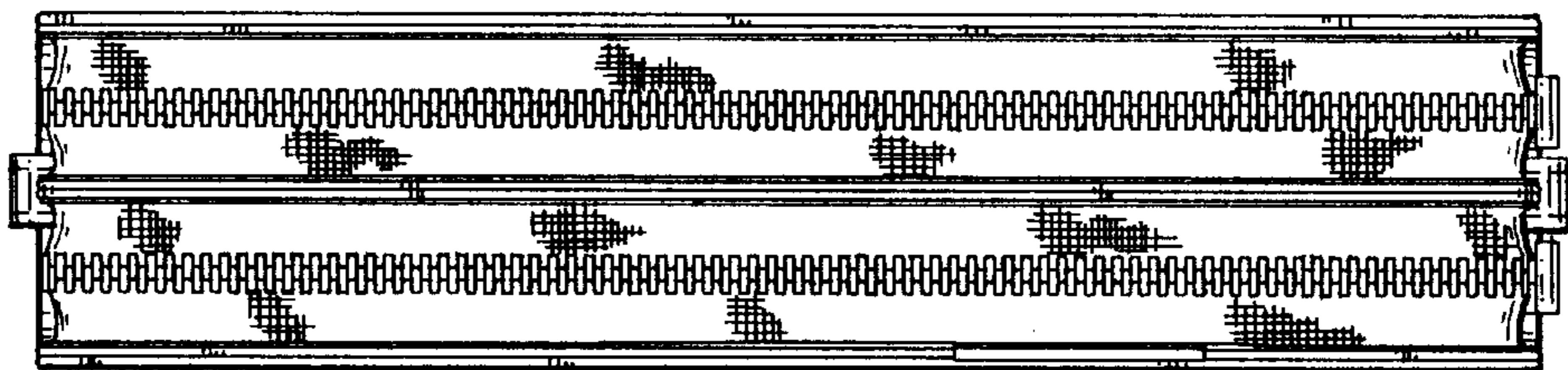


FIG. 6