



US00D406447S

United States Patent [19]

Ronci

[11] **Patent Number: Des. 406,447**

[45] **Date of Patent: **Mar. 9, 1999**

[54] **GOLF CLEAT**

[76] Inventor: **Fernando F. Ronci**, 61 Reservoir Rd.,
Lincoln, R.I. 02865

[**] Term: **14 Years**

[21] Appl. No.: **84,186**

[22] Filed: **Feb. 23, 1998**

[51] **LOC (6) Cl. 02-00**

[52] **U.S. Cl. D2/962**

[58] **Field of Search** D2/962, 126; 36/130,
36/134, 135, 67 A, 67 B, 67 C, 67 D, 59 R,
62, 28

[56] **References Cited**

U.S. PATENT DOCUMENTS

D. 385,988	11/1997	McMullin	D2/962
D. 387,548	12/1997	McMullin	D2/962
D. 391,391	3/1998	Colias	D2/962
4,014,114	3/1977	Jordan	36/67 D

5,533,282	7/1996	Kataoka et al.	36/28
5,623,774	4/1997	Abbey	36/134
5,782,017	7/1998	Ortscheid	36/59 R

Primary Examiner—Doris V. Coles
Attorney, Agent, or Firm—Barlow & Josephs, Ltd.

[57] **CLAIM**

The ornamental design for a golf cleat, as shown and described.

DESCRIPTION

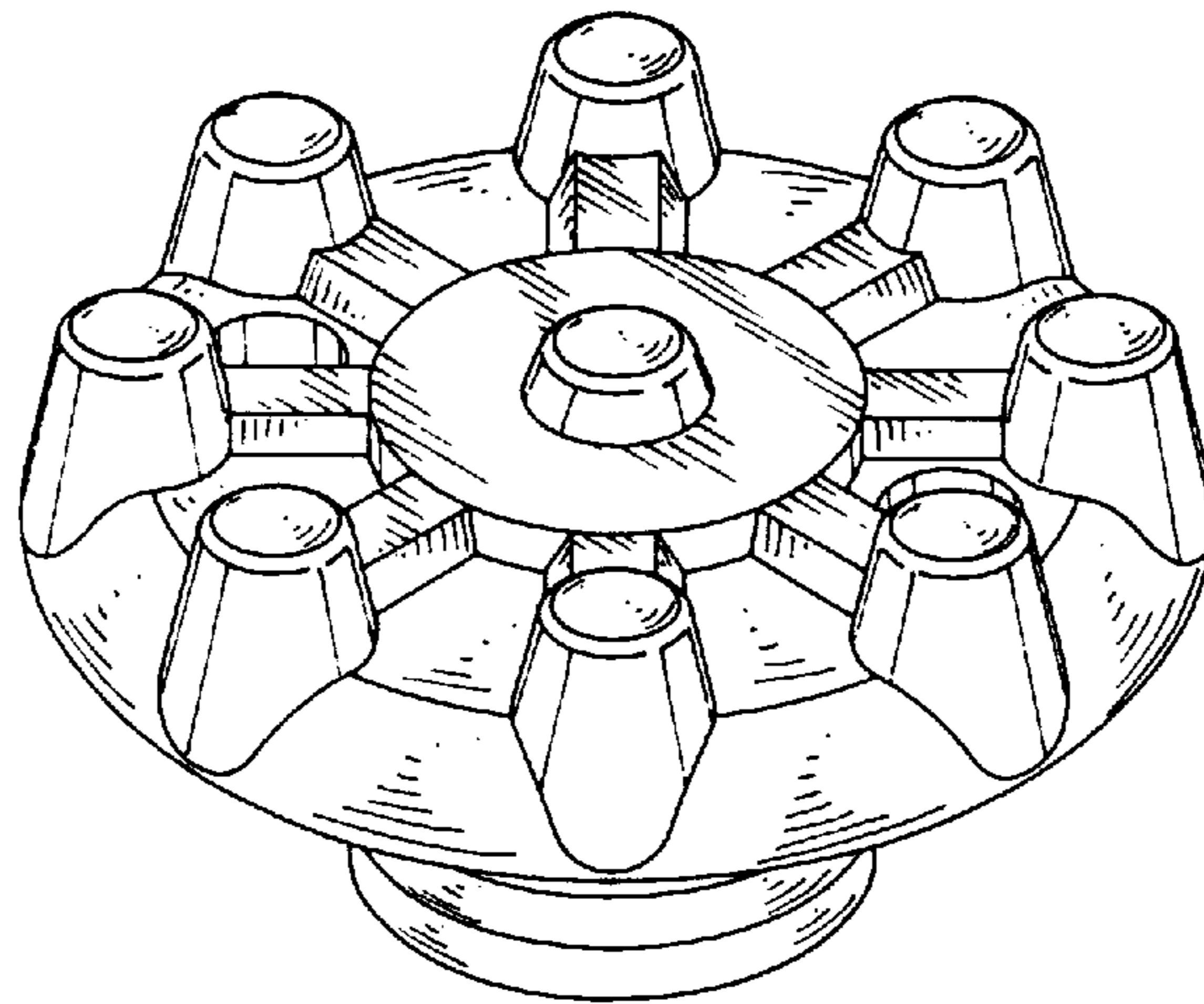
FIG. 1 is a perspective view of a golf cleat showing my new design;

FIG. 2 is a top view thereof;

FIG. 3 is a bottom view thereof; and,

FIG. 4 is an front elevational view thereof; the left side elevational view, the right side elevational view, and the rear elevational view being identical to the front elevational view.

1 Claim, 2 Drawing Sheets



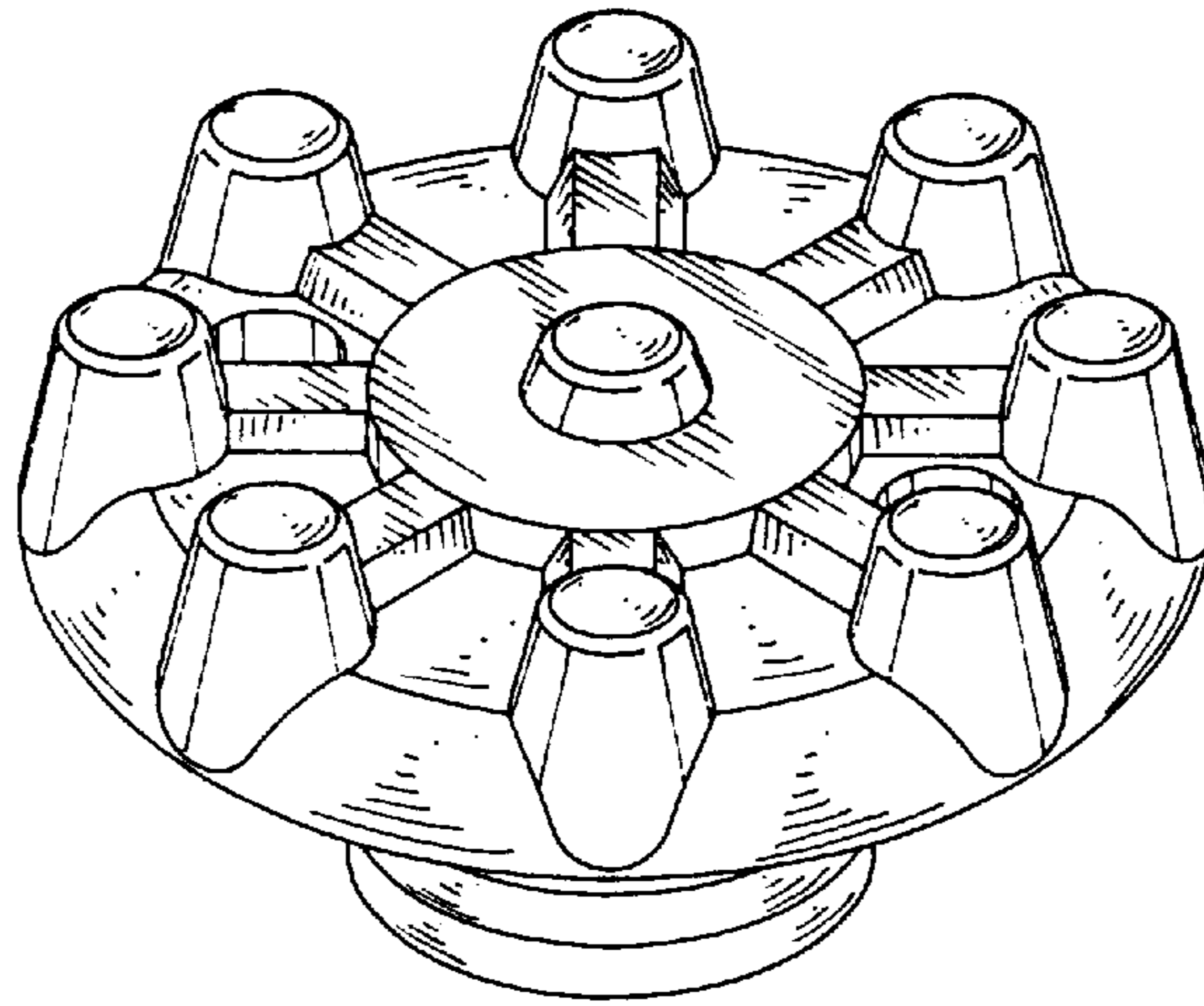


FIG. 1

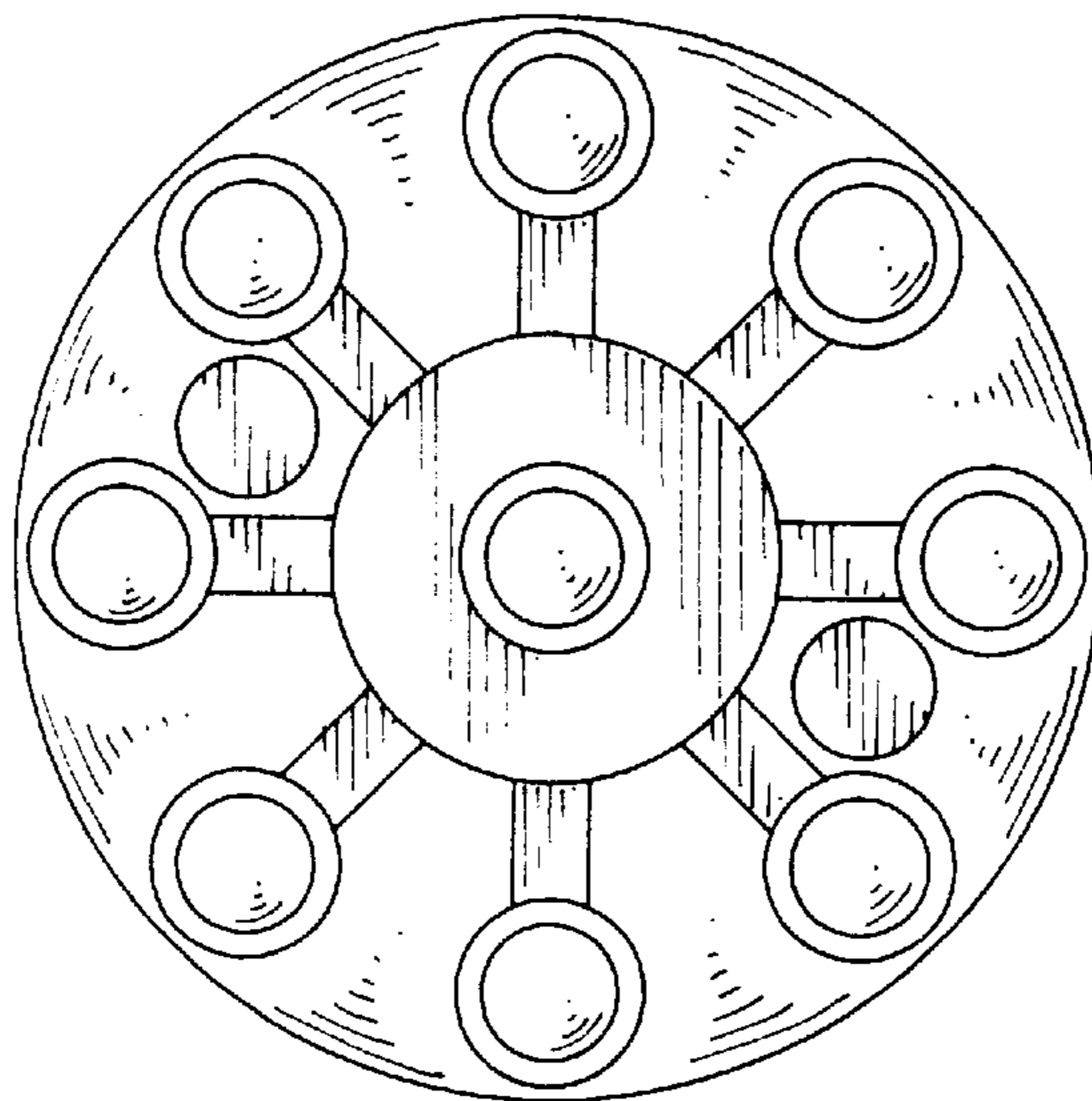


FIG. 2

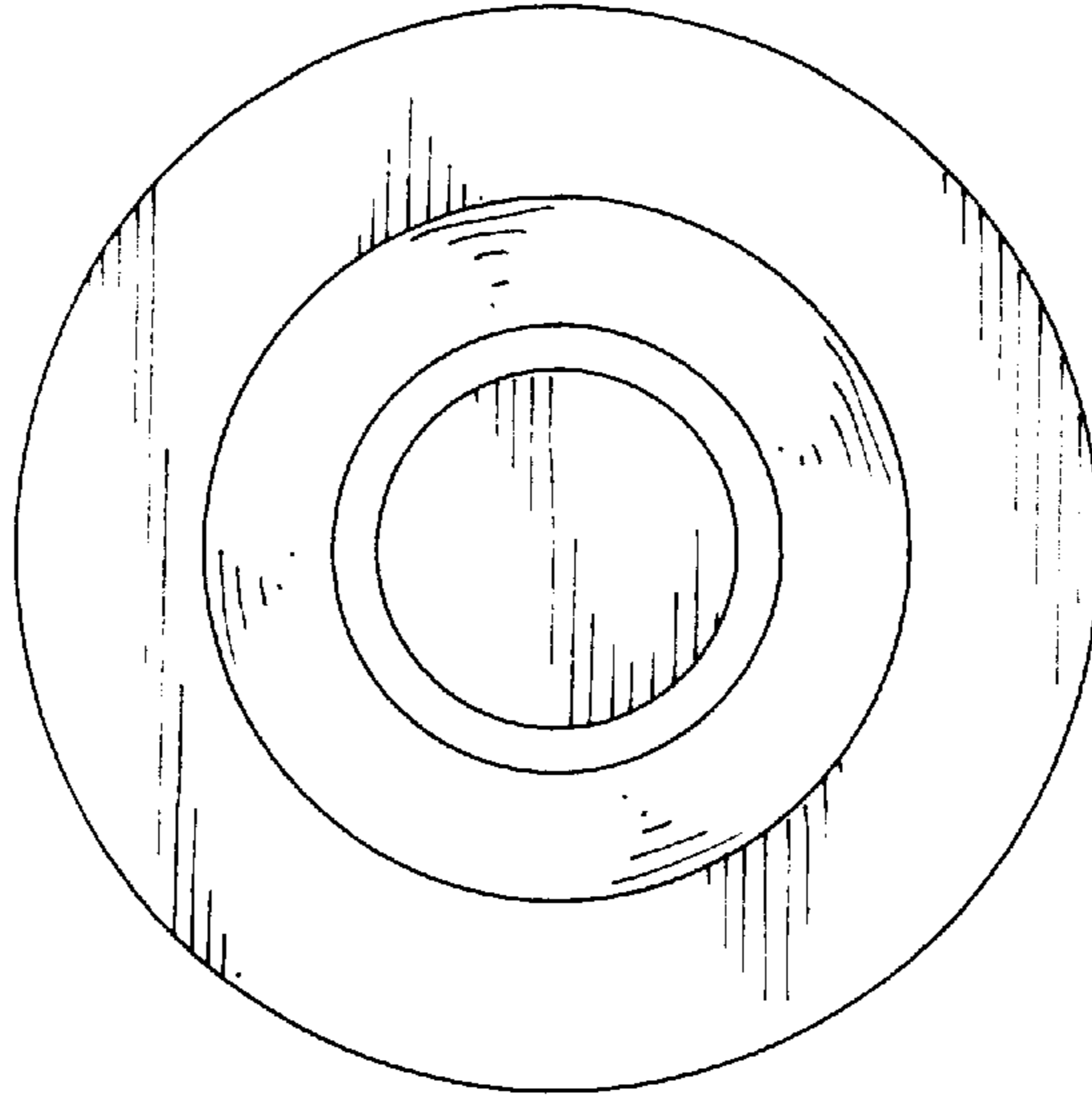


FIG. 3

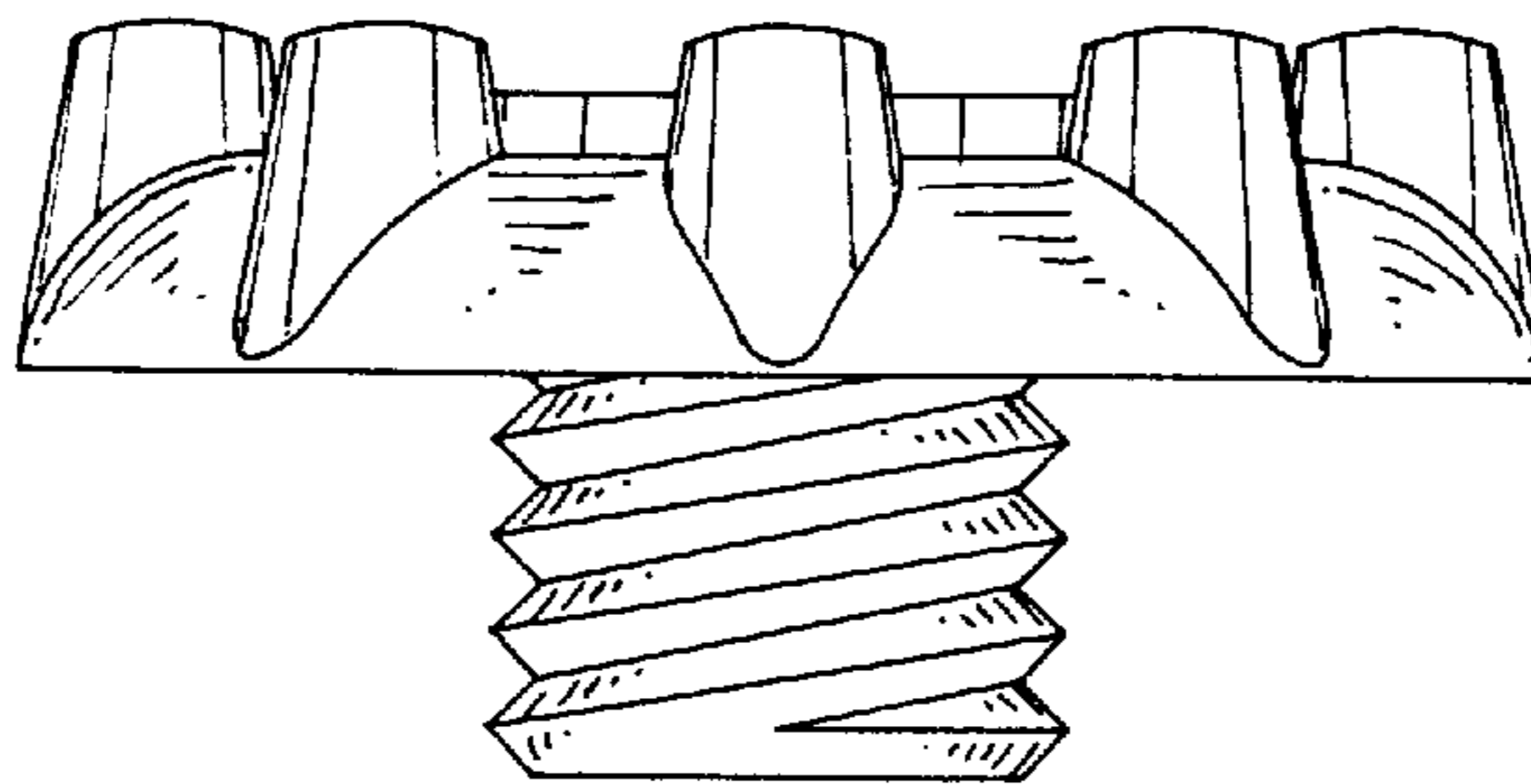


FIG. 4