



US00D406432S

United States Patent [19]

[11] Patent Number: Des. 406,432

Taylor et al.

[45] Date of Patent: ***Mar. 2, 1999

[54] DROP SHOULDER CREEPER WITH T-BAR SUPPORT

[75] Inventors: Ken Taylor, Merced, Calif.; Joseph J. Miles, Plant City, Fla.

[73] Assignee: United Systems, Inc., Tampa, Fla.

[*] Notice: The term of this patent shall not extend beyond the expiration date of Pat. No. Des. 401,029.

[**] Term: 14 Years

[21] Appl. No.: 70,012

[22] Filed: Apr. 25, 1997

Related U.S. Application Data

[63] Continuation-in-part of Ser. No. 55,766, Jun. 13, 1996, and Ser. No. 56,721, Jul. 8, 1996, Pat. No. Des. 384,466.

[51] LOC (6) Cl. 12-02

[52] U.S. Cl. D34/23

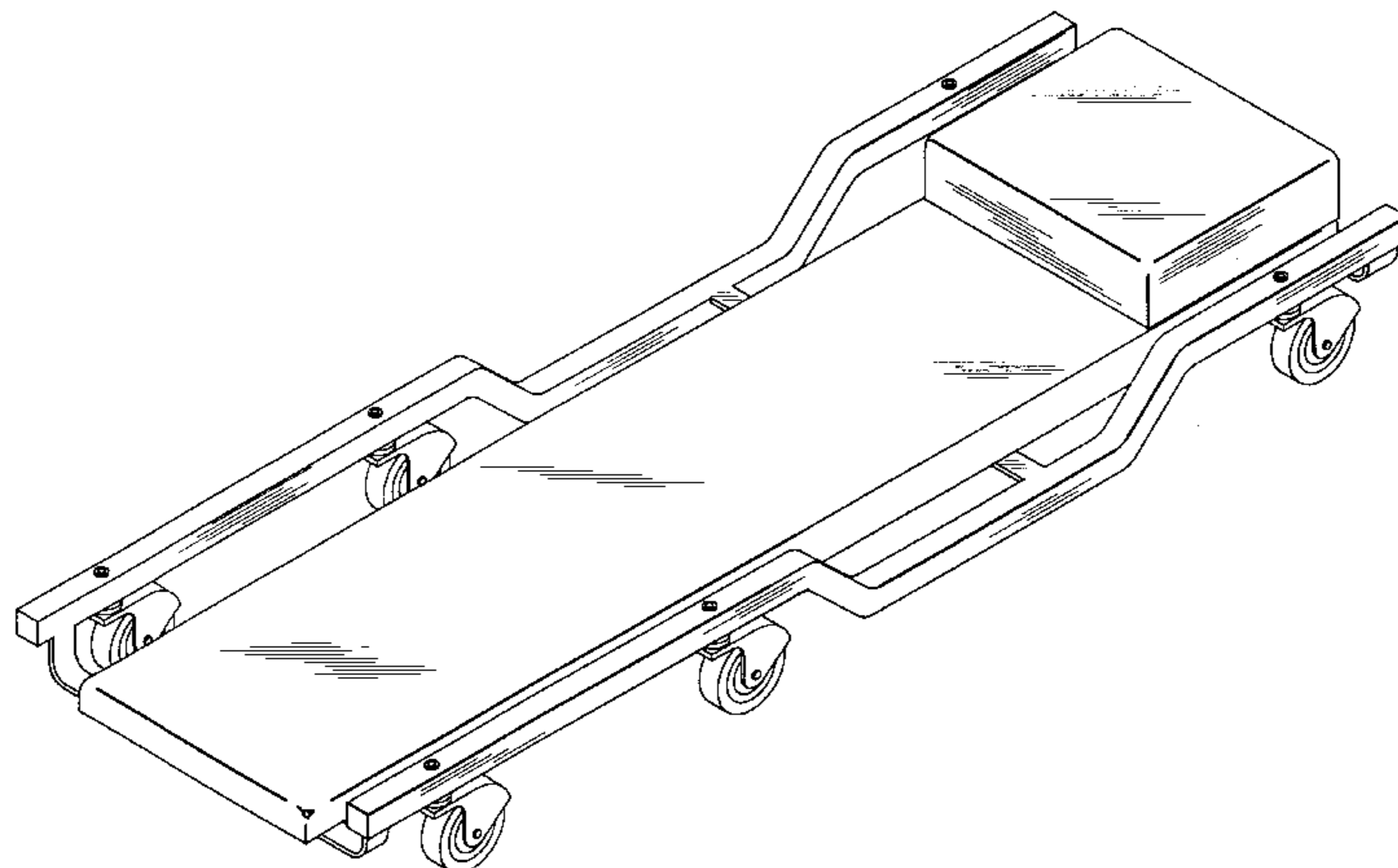
[58] Field of Search D34/12-27; 280/32.5, 280/32.6, 79.11, 79.2, 79.7

[56] References Cited

U.S. PATENT DOCUMENTS

- D. 230,971 3/1974 Shanklin .
- D. 242,909 1/1977 Miller .
- D. 259,243 5/1981 Argante .
- D. 270,962 10/1983 Martell .
- D. 271,717 12/1983 Linn .
- D. 285,018 8/1986 Quinonez .
- D. 289,815 5/1987 Quinonez .
- D. 293,160 12/1987 Le Droit .
- D. 296,597 7/1988 Adams .
- D. 298,374 11/1988 Hamrick .
- D. 299,076 12/1988 Whiteside .
- D. 301,078 5/1989 Szpot .
- D. 301,791 6/1989 Osborne .
- D. 309,967 8/1990 Fagan .
- D. 319,717 9/1991 Schultz .
- D. 320,484 10/1991 Wallin .
- D. 321,072 10/1991 Bennett et al. .
- D. 321,578 11/1991 Gilbert .

- D. 324,598 3/1992 Clark .
- 324,617 8/1885 Walsh et al. .
- D. 325,799 4/1992 Chen .
- D. 330,619 10/1992 Gilbert et al. .
- D. 330,957 11/1992 Contrini .
- D. 335,733 5/1993 Zimmer .
- D. 351,707 10/1994 Pill D34/23
- D. 354,599 1/1995 Young .
- D. 356,412 3/1995 Hensley, Jr. .
- D. 361,421 8/1995 Garoutte .
- D. 367,628 3/1996 Bull .
- 724,125 3/1903 Prindle .
- 920,553 5/1909 Farland et al. .
- 989,561 4/1911 Braham .
- 1,098,262 5/1914 Hollingshead .
- 1,104,398 7/1914 Zimmerman .
- 1,132,983 3/1915 Shuey .
- 1,177,340 3/1916 Klein .
- 1,184,487 5/1916 Peterson .
- 1,195,014 8/1916 Hild .
- 1,209,447 12/1916 Johnson .
- 1,349,941 8/1920 Broome .
- 1,363,023 12/1920 Taylor .
- 1,385,877 7/1921 McDonald .
- 1,394,493 10/1921 Grazer .
- 1,409,787 3/1922 Scarlett .
- 1,431,383 10/1922 Edwards .
- 1,446,945 2/1923 Sunderland .
- 1,451,858 4/1923 Zengerle .
- 1,511,943 10/1924 Bush .
- 1,643,268 9/1927 Burnwatt .
- 1,769,548 7/1930 Rodin .
- 1,785,646 12/1930 Pascoo .
- 2,124,389 7/1938 Woelfer, Jr. .
- 2,148,199 2/1939 Heckman .
- 2,154,952 4/1939 Mahloch .
- 2,210,585 8/1940 Hulbert .
- 2,228,568 6/1941 Holmes .
- 2,246,628 6/1941 Heckman .
- 2,291,094 7/1942 McCarthy .
- 2,332,089 10/1943 Knight .
- 2,424,032 7/1947 Henderson .
- 2,456,002 12/1948 Jonette .
- 2,487,706 11/1949 Happ .
- 2,509,934 5/1950 Murray .
- 2,595,783 5/1952 Griffin .
- 2,650,374 9/1953 Pierce .
- 2,684,734 7/1954 Wilson .
- 2,716,181 8/1955 Ritter .
- 2,729,905 1/1956 Crozier .
- 2,780,472 2/1957 Weldon, Sr. .



- | | | | | | |
|-----------|---------|---------------------|-----------|---------|------------|
| 2,782,045 | 2/1957 | Hulbert . | 5,451,068 | 9/1995 | Shockley . |
| 2,879,865 | 3/1959 | Simmons . | 5,460,305 | 10/1995 | Ahearn . |
| 2,908,472 | 10/1959 | McDonald . | 5,460,392 | 10/1995 | Hansen . |
| 2,942,693 | 6/1960 | Johnson . | 5,494,305 | 2/1996 | Chen . |
| 3,092,394 | 6/1963 | Burke . | 5,503,415 | 4/1996 | Powell . |
| 3,313,377 | 4/1967 | Aninger . | 5,527,051 | 6/1996 | Plaza . |
| 3,361,437 | 1/1968 | Loftis . | | | |
| 3,757,704 | 9/1973 | Allgeyer et al. . | | | |
| 3,799,566 | 3/1974 | Thompson . | | | |
| 3,818,542 | 6/1974 | Jones . | | | |
| 3,970,325 | 7/1976 | Wirsig . | | | |
| 3,976,155 | 8/1976 | Esch . | | | |
| 3,984,116 | 10/1976 | Bowers . | | | |
| 4,043,566 | 8/1977 | Johnson . | | | |
| 4,066,151 | 1/1978 | Liebscher et al. . | | | |
| 4,091,889 | 5/1978 | Brown et al. . | | | |
| 4,168,076 | 9/1979 | Johnson . | | | |
| 4,185,846 | 1/1980 | Black . | | | |
| 4,244,594 | 1/1981 | Hines . | | | |
| 4,246,734 | 1/1981 | Fogle, Jr. et al. . | | | |
| 4,373,409 | 2/1983 | Benedek et al. . | | | |
| 4,428,306 | 1/1984 | Dresen et al. . | | | |
| 4,471,969 | 9/1984 | Zabala et al. . | | | |
| 4,489,837 | 12/1984 | Adair . | | | |
| 4,564,216 | 1/1986 | Kinyon et al. . | | | |
| 4,570,957 | 2/1986 | Rose . | | | |
| 4,580,799 | 4/1986 | Quinonez . | | | |
| 4,658,807 | 4/1987 | Swain . | | | |
| 4,698,731 | 10/1987 | Johns, Sr. . | | | |
| 4,704,777 | 11/1987 | Schaefer et al. . | | | |
| 4,706,519 | 11/1987 | Beim . | | | |
| 4,721,316 | 1/1988 | Whiteside . | | | |
| 4,722,511 | 2/1988 | Chitwood . | | | |
| 4,789,047 | 12/1988 | Knobloch . | | | |
| 4,792,147 | 12/1988 | Wissing . | | | |
| 4,795,180 | 1/1989 | Polcyn . | | | |
| 4,796,903 | 1/1989 | Proctor et al. . | | | |
| 4,815,569 | 3/1989 | Norman . | | | |
| 4,862,765 | 9/1989 | Schaefer et al. . | | | |
| 4,863,178 | 9/1989 | Friesen . | | | |
| 4,875,694 | 10/1989 | Hamrick . | | | |
| 4,886,050 | 12/1989 | Iams et al. . | | | |
| 4,895,380 | 1/1990 | Brooks et al. . | | | |
| 4,909,524 | 3/1990 | Paine . | | | |
| 4,925,197 | 5/1990 | Jones, Jr. . | | | |
| 4,941,551 | 7/1990 | Visser . | | | |
| 4,957,302 | 9/1990 | Maxwell . | | | |
| 4,986,558 | 1/1991 | Morris . | | | |
| 5,022,670 | 6/1991 | Cote et al. . | | | |
| 5,078,280 | 1/1992 | Nordeen . | | | |
| 5,099,951 | 3/1992 | Stockwell . | | | |
| 5,108,118 | 4/1992 | Schaevitz . | | | |
| 5,174,592 | 12/1992 | Pool 280/32.6 | | | |
| 5,186,479 | 2/1993 | Flowers . | | | |
| 5,195,763 | 3/1993 | Scott et al. . | | | |
| 5,213,350 | 5/1993 | Hermanson . | | | |
| 5,217,315 | 6/1993 | Rosane . | | | |
| 5,251,359 | 10/1993 | Finkl . | | | |
| 5,277,683 | 1/1994 | Wilkins . | | | |
| 5,297,809 | 3/1994 | Chen . | | | |
| 5,299,826 | 4/1994 | Flowers . | | | |
| 5,330,209 | 7/1994 | Pool 280/32.6 | | | |
| 5,330,211 | 7/1994 | Nicholson . | | | |
| 5,333,709 | 8/1994 | Bulgrien . | | | |
| 5,364,201 | 11/1994 | LaBarre . | | | |
| 5,378,003 | 1/1995 | Burd et al. . | | | |
| 5,380,021 | 1/1995 | Doherty . | | | |
| 5,392,201 | 2/1995 | Morley et al. . | | | |
| 5,397,139 | 3/1995 | Simpson . | | | |
| 5,407,170 | 4/1995 | Slivon et al. . | | | |
| 5,413,544 | 5/1995 | Fiore . | | | |
| 5,419,945 | 5/1995 | Lopez . | | | |
- OTHER PUBLICATIONS
- Whiteside Catalog No. 97; Whiteside Manufacturing Co, Inc.
 Matco Catalog; 1996–1997; pp. 402 & 403.
 California Car Cover Co. Catalog; California Car Cover Co.; “Catalog & Gift Guide Winter 1996”.
 Advertisement for Matco Tools; Matco Tools Christmas ’96 Preview.
 Magazine; “Summit Racing Equipment”; Nov.–Dec. 1996; p. 176.
 Magazine; “Summit Racing Equipment”; Sep.–Oct. 1996; p. 158.
 Pamphlet; “Matco’s Savings Speedway”; Matco Tools; Aug. 1996.
 Mac Tools; Aug. 1996; p. 23.
 Brochure; Mac Tools; “February Specials”; Feb. 1996; p. 2.
 Wholesale Tool Catalog; 1996; p. 747.
 Magazine; “Griot’s Garage”; 1996; p. 32.
 Flyer; Mac Tools; May 1995; p. 12.
 Flyer; Mac Tools; Apr. 1995; p. 14.
 Magazine; “Griot’s Garage”; Spring 1995; p. 44 The Only Creeper Strong Enough to Stand up to the Intimidator.
 Snap-on Catalog; “Snap-on Anniversary 75 Years”; Issued Jan. 1995; p. 228.
 Mac Tools Catalog; Issued Jan. 1995; pp. 260 & 261.
 Advertisement for Creepers for Mac Tools; 1994.
 Whiteside Catalog 92; Whiteside Manufacturing Co., Inc.
 Advertisement for Creepers for Lisle; “World’s Toughest Creepers!”; 1992.
 Whiteside Catalog No. 89; Whiteside Manufacturing Co. Inc. “Roll Over Creepers and Other Related Products”.
 Pamphlet; “Lisle: Specialty Automotive Tools”; T-81/54.
 Matco Tools PL0696; Price List–Order Form; p. 16.
 Brochure; Larin Corporation; p. 11.
 Advertisement for “The Bone”; Pegasus Products Co.
 Advertisement for Creepers for snap-on and United Auto Systems, Inc.; “The Only Creeper Strong Enough to Stand up to the Intimidator”.
 Fleet Products Catalog; p. 31.
 American Tool & Equipment Catalog; p. 4.
 JC Whitney Catalog No. 205R; p. 39.
 Brookstone Tools Catalog; p. 30.
 Brochure; R.E.L. Products, Inc.; “Mechanics Creepers; Mechanic Seats; Counter Stools; Portable Benches; Casters”.
 Advertisement for Creeper Seat for K-Mart.
 Magazine; “Solutions, Products that Make Life Easier”.
 Lisle Catalog T-52; pp. 44–46.
 Brookins Service Equipment and Balcrank Kwik-Sell lubrication Equipment Catalog No. 4146; “Professional Automotive Service and Kwik-Sell lubrication Equipment”; p. 15.
 Brochure; “Mechanics Creepers that Perform”; R.E.L. Products, Inc.
 Brochure; “Quality Products Creepers; Roller Seat; Casters”; P & B Manufacturing Co.
 Advertisement for “Sky Creeper”; Basic, Inc.
 Advertisement for “ROLL-A-LiTE” Lighted Floor Creeper.

Snap-on Magazine; Snap-on Tools; “Uninterrupted Innovation for Close to Three Quarters of a Century”; p. 19. Advertisement for “Creeper Rack”; Snap-on Tools. Advertisement for “Lady Luck” Screwdriver; United Auto Systems, Inc. Attachment A.

Primary Examiner—Kay H. Chin
Attorney, Agent, or Firm—Sam Silverberg

[57] **CLAIM**

The ornamental designs for a drop shoulder creeper with T-bar support, as shown and described.

DESCRIPTION

FIG. 1 is a top perspective view of a drop shoulder creeper with T-bar support showing our new design;
FIG. 2 is a front elevational view of FIG. 1;
FIG. 3 is a top perspective view of a second embodiment of the drop shoulder creeper with T-bar support;
FIG. 4 is a front elevational view of FIG. 3;
FIG. 5 is a top perspective view of a third embodiment of the drop shoulder creeper with T-bar support;
FIG. 6 is a front elevational view of FIG. 5;
FIG. 7 is a top perspective view of a fourth embodiment of the drop shoulder creeper with T-bar support;
FIG. 8 is a side elevational view of FIG. 7;
FIG. 9 is a top perspective view of a fifth embodiment of the drop shoulder creeper with T-bar support;
FIG. 10 is a front elevational view of FIG. 9;
FIG. 11 is a top perspective of a sixth embodiment of the drop shoulder creeper with T-bar support;
FIG. 12 is a front elevational view of FIG. 11;
FIG. 13 is a top perspective view of a seventh embodiment of the drop shoulder creeper with T-bar support;
FIG. 14 is a front elevational view of FIG. 13;
FIG. 15 is a top perspective view of an eighth embodiment of the drop shoulder creeper with T-bar support;
FIG. 16 is a front elevational view of FIG. 15;
FIG. 17 is a top perspective view of a ninth embodiment of the drop shoulder creeper with T-bar support;
FIG. 18 is a side elevational view of FIG. 17;
FIG. 19 is a top perspective view of a tenth embodiment of the drop shoulder creeper with T-bar support;
FIG. 20 is a front elevational view of FIG. 19;
FIG. 21 is a top perspective view of an eleventh embodiment of the drop shoulder creeper with T-bar support;
FIG. 22 is a front elevational view of FIG. 21;
FIG. 23 is a top perspective view of a twelfth embodiment of the drop shoulder creeper with T-bar support;
FIG. 24 is a front elevational view of FIG. 23;
FIG. 25 is a top perspective view of a thirteenth embodiment of the drop shoulder creeper with T-bar support;
FIG. 26 is a side elevational view of FIG. 25;
FIG. 27 is a top perspective view of a fourteenth embodiment of the drop shoulder creeper with T-bar support;
FIG. 28 is a front elevational view of FIG. 27;
FIG. 29 is a top perspective view of a fifteenth embodiment of the drop shoulder creeper with T-bar support;
FIG. 30 is a front elevational view of FIG. 29;
FIG. 31 is a top perspective view of a sixteenth embodiment of the drop shoulder creeper with T-bar support;
FIG. 32 is a front elevational view of FIG. 31;
FIG. 33 is a top perspective view of a seventeenth embodiment of the drop shoulder creeper with T-bar support;

FIG. 34 is a front elevational view of FIG. 33;
FIG. 35 is a top perspective view of an eighteenth embodiment of the drop shoulder creeper with T-bar support;
FIG. 36 is a side elevational view of FIG. 35;
FIG. 37 is a top perspective view of a nineteenth embodiment of the drop shoulder creeper with T-bar support;
FIG. 38 is a top perspective view of a twentieth embodiment of the drop shoulder creeper with T-bar support;
FIG. 39 is a front elevational view of FIG. 38;
FIG. 40 is a top perspective view of a twenty-first embodiment of the drop shoulder creeper with T-bar support;
FIG. 41 is a front elevational view of FIG. 40;
FIG. 42 is a top perspective view of a twenty-second embodiment of the drop shoulder creeper with T-bar support;
FIG. 43 is a front elevational view of FIG. 42;
FIG. 44 is a top perspective view of a twenty-third embodiment of the drop shoulder creeper with T-bar support;
FIG. 45 is a side elevational view of FIG. 44;
FIG. 46 is a top perspective view of a twenty-fourth embodiment of the drop shoulder creeper with T-bar support;
FIG. 47 is a top perspective view of a twenty-fifth embodiment of the drop shoulder creeper with T-bar support;
FIG. 48 is a front elevational view of FIG. 47;
FIG. 49 is a top perspective view of a twenty-sixth embodiment of the drop shoulder creeper with T-bar support;
FIG. 50 is a front elevational view of FIG. 49;
FIG. 51 is a top perspective view of a twenty-seventh embodiment of the drop shoulder creeper with T-bar support;
FIG. 52 is a front elevational view of FIG. 51;
FIG. 53 is a top perspective view of a twenty-eighth embodiment of the drop shoulder creeper with T-bar support;
FIG. 54 is a side elevational view of FIG. 53;
FIG. 55 is a top perspective view of a twenty-ninth embodiment of the drop shoulder creeper with T-bar support;
FIG. 56 is a front elevational view of FIG. 55;
FIG. 57 is a top perspective view of a thirtieth embodiment of the drop shoulder creeper with T-bar support;
FIG. 58 is a front elevational view of FIG. 57;
FIG. 59 is a top perspective view of a thirty-first embodiment of the drop shoulder creeper with T-bar support;
FIG. 60 is a front elevational view of FIG. 59;
FIG. 61 is a top perspective view of a thirty-second embodiment of the drop shoulder creeper with T-bar support;
FIG. 62 is a front elevational view of FIG. 62;
FIG. 63 is a top perspective view of a thirty-third embodiment of the drop shoulder creeper with T-bar support;
FIG. 64 is a side elevational view of FIG. 63;
FIG. 65 is a top perspective view of a thirty-fourth embodiment of the drop shoulder creeper with T-bar support;
FIG. 66 is a front elevational view of FIG. 65;
FIG. 67 is a top perspective view of a thirty-fifth embodiment of the drop shoulder creeper with T-bar support;
FIG. 68 is a front elevational view of FIG. 67;
FIG. 69 is a top perspective view of a thirty-sixth embodiment of the drop shoulder creeper with T-bar support;
FIG. 70 is a front elevational view of FIG. 69;
FIG. 71 is a top perspective view of a thirty-seventh embodiment of the drop shoulder creeper with T-bar support;
FIG. 72 is a front elevational view of FIG. 71; and,
FIG. 73 is a top perspective view of a thirty-eighth embodiment of the drop shoulder creeper with T-bar support.

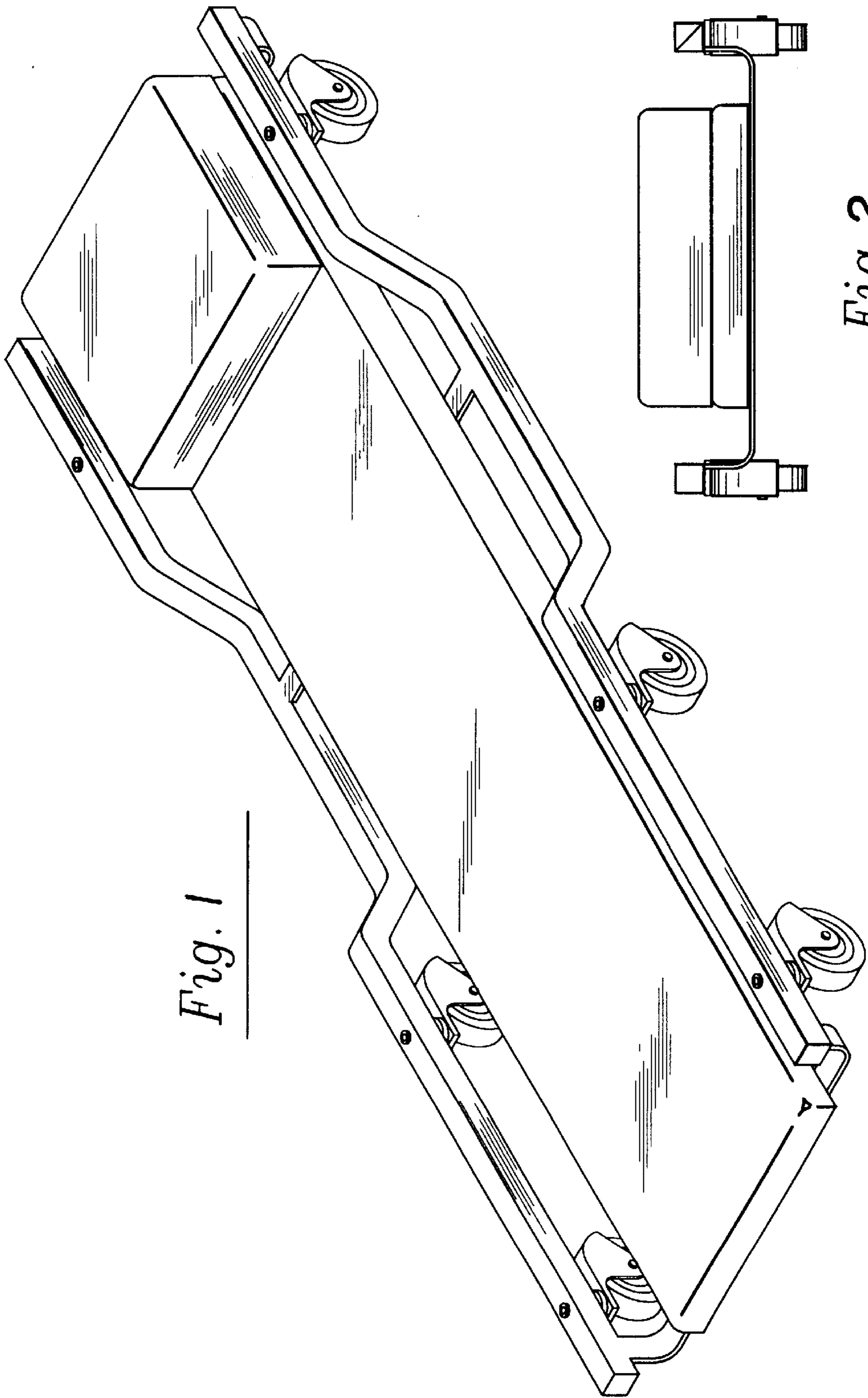


Fig. 1

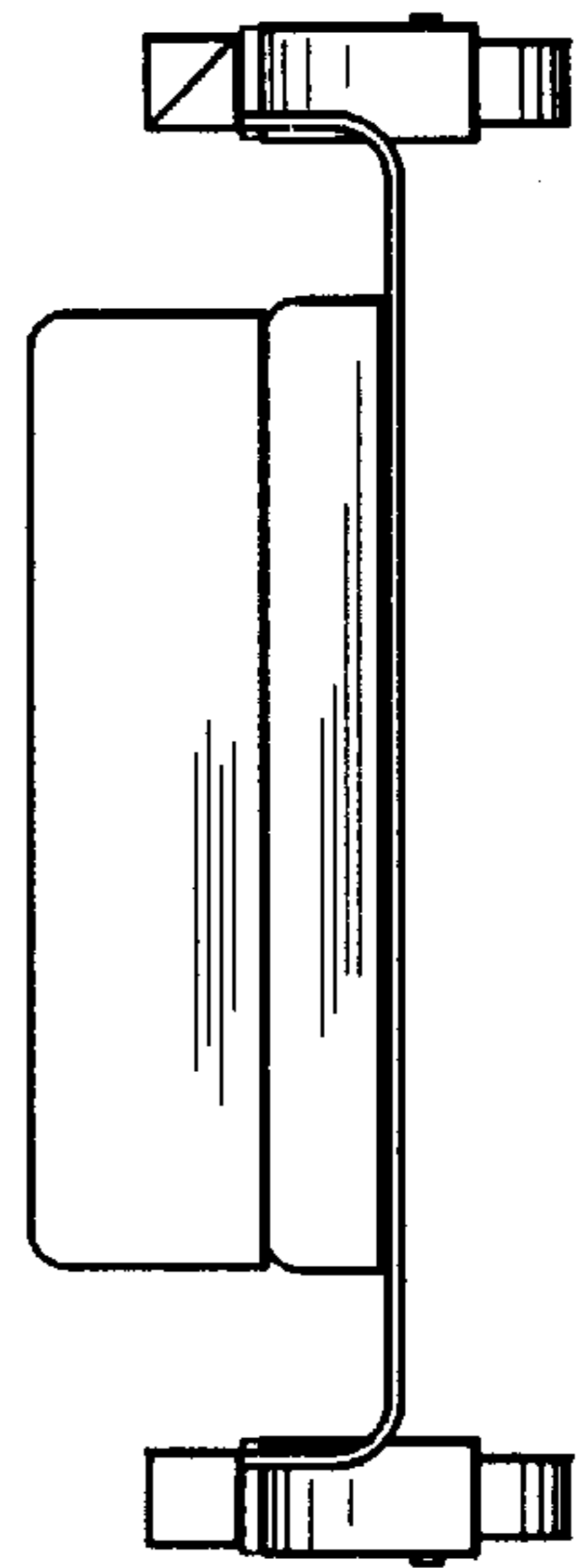


Fig. 2

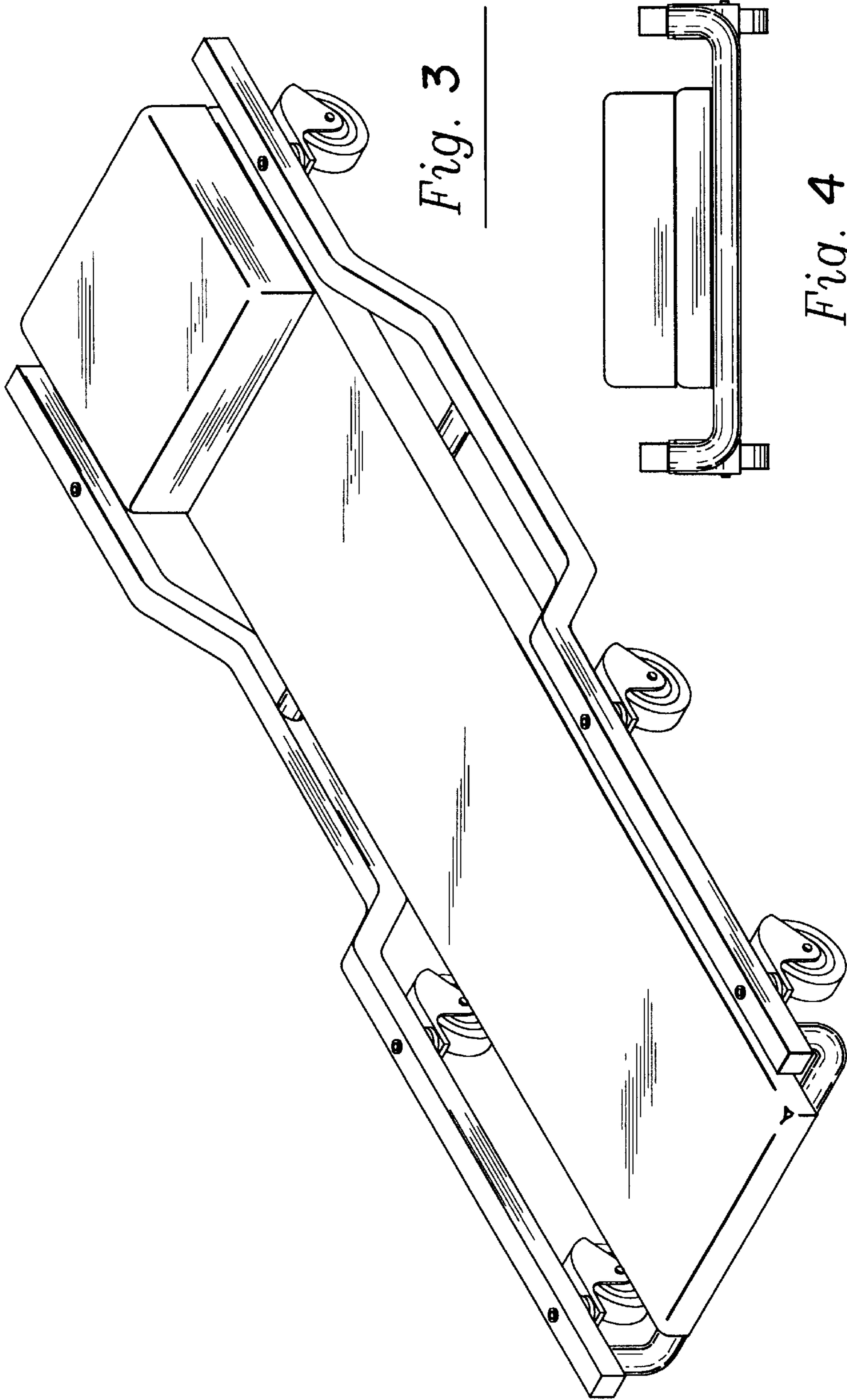


Fig. 3

Fig. 4

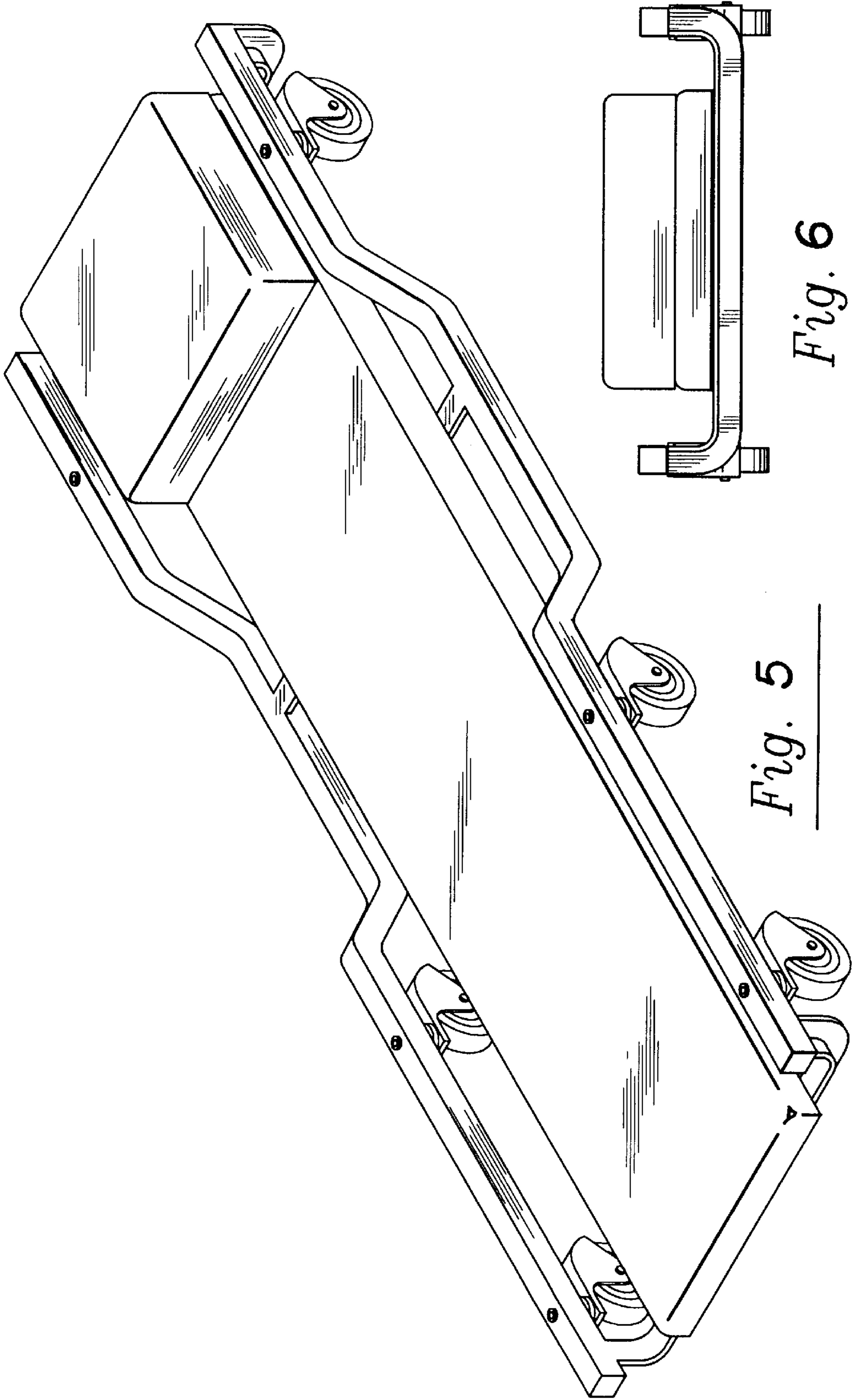


Fig. 5

Fig. 6

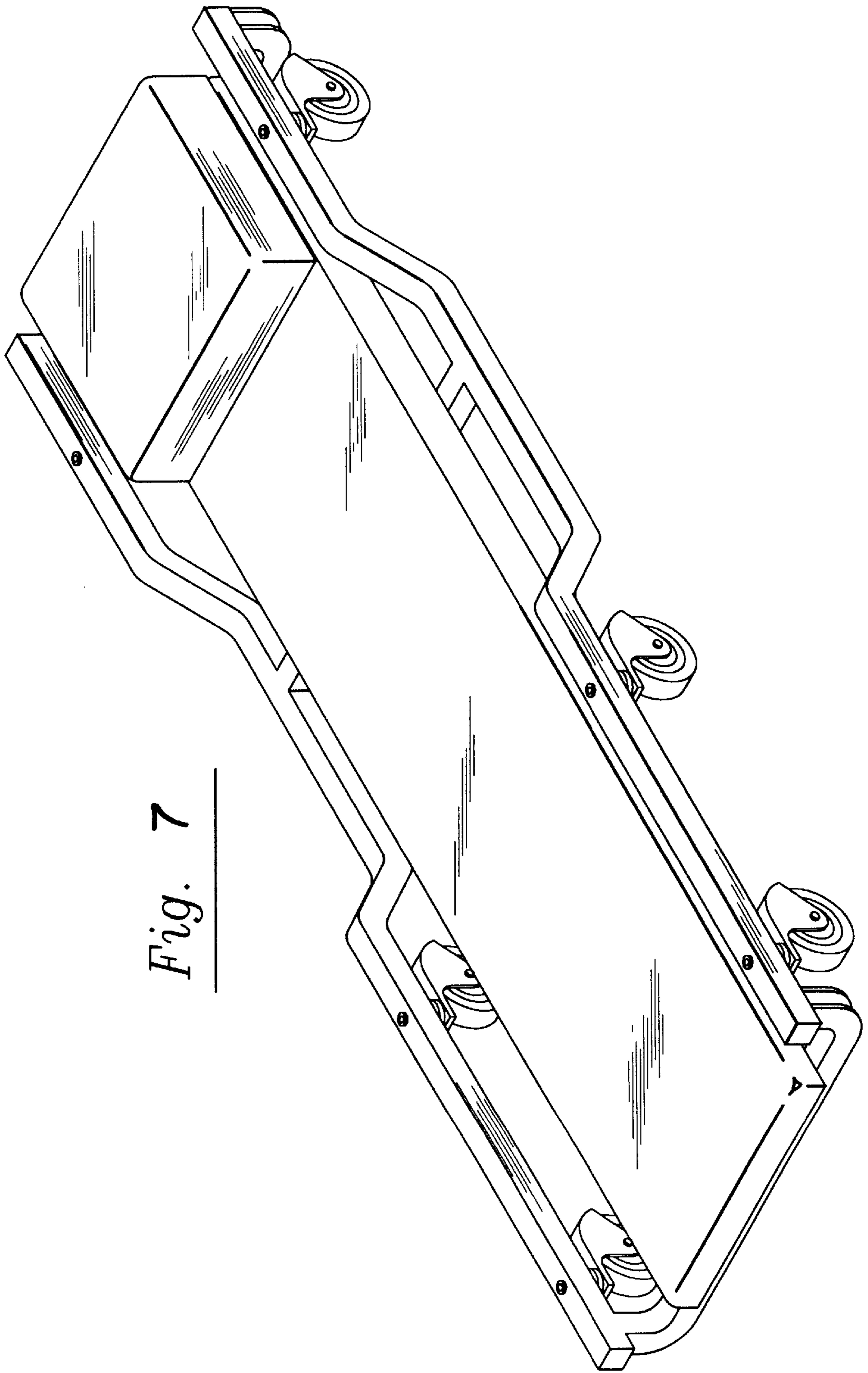


Fig. 7

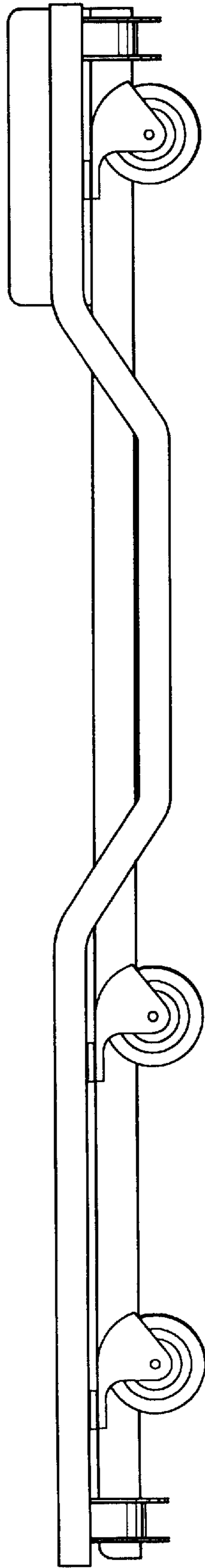


Fig. 8

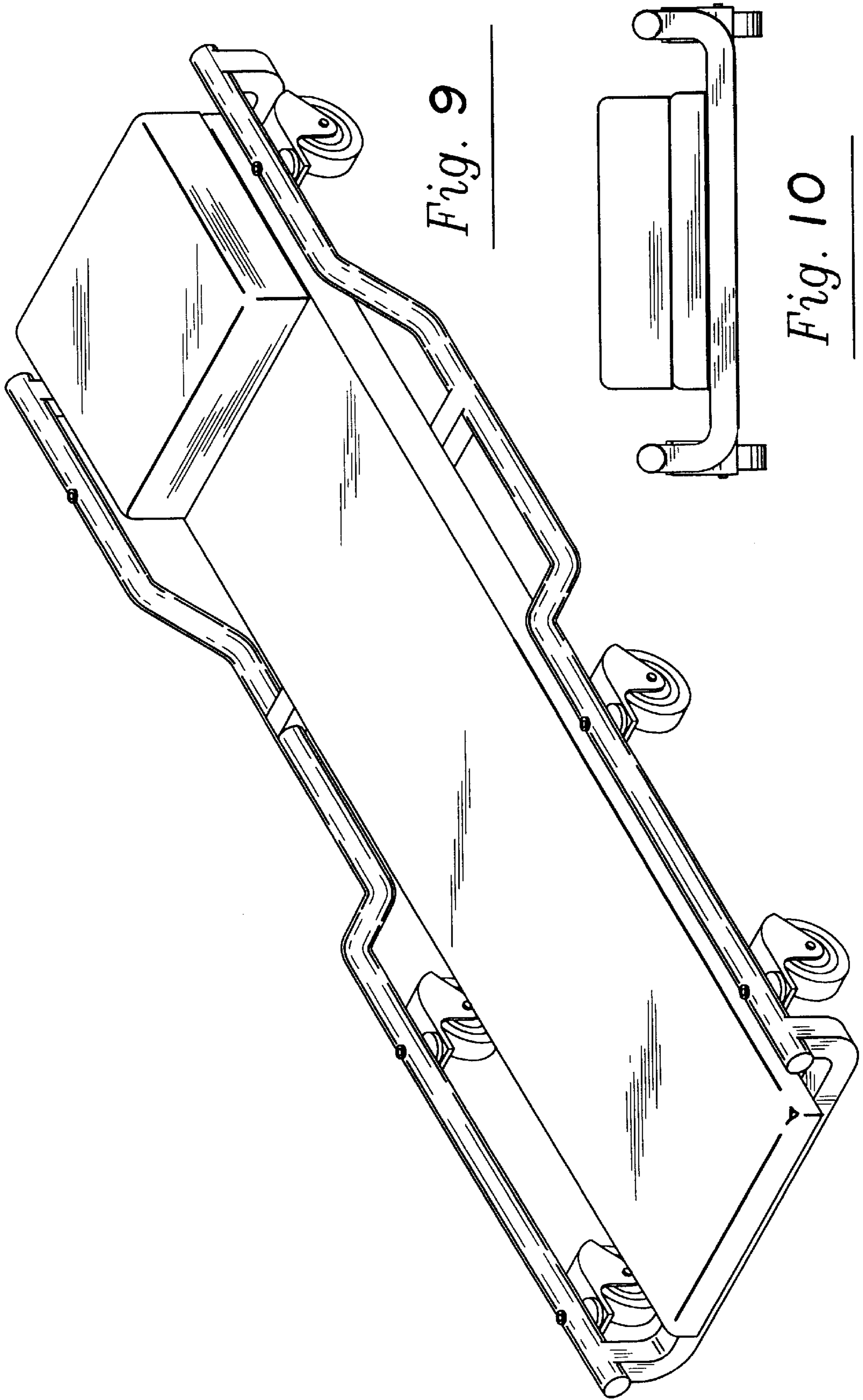


Fig. 9

Fig. 10

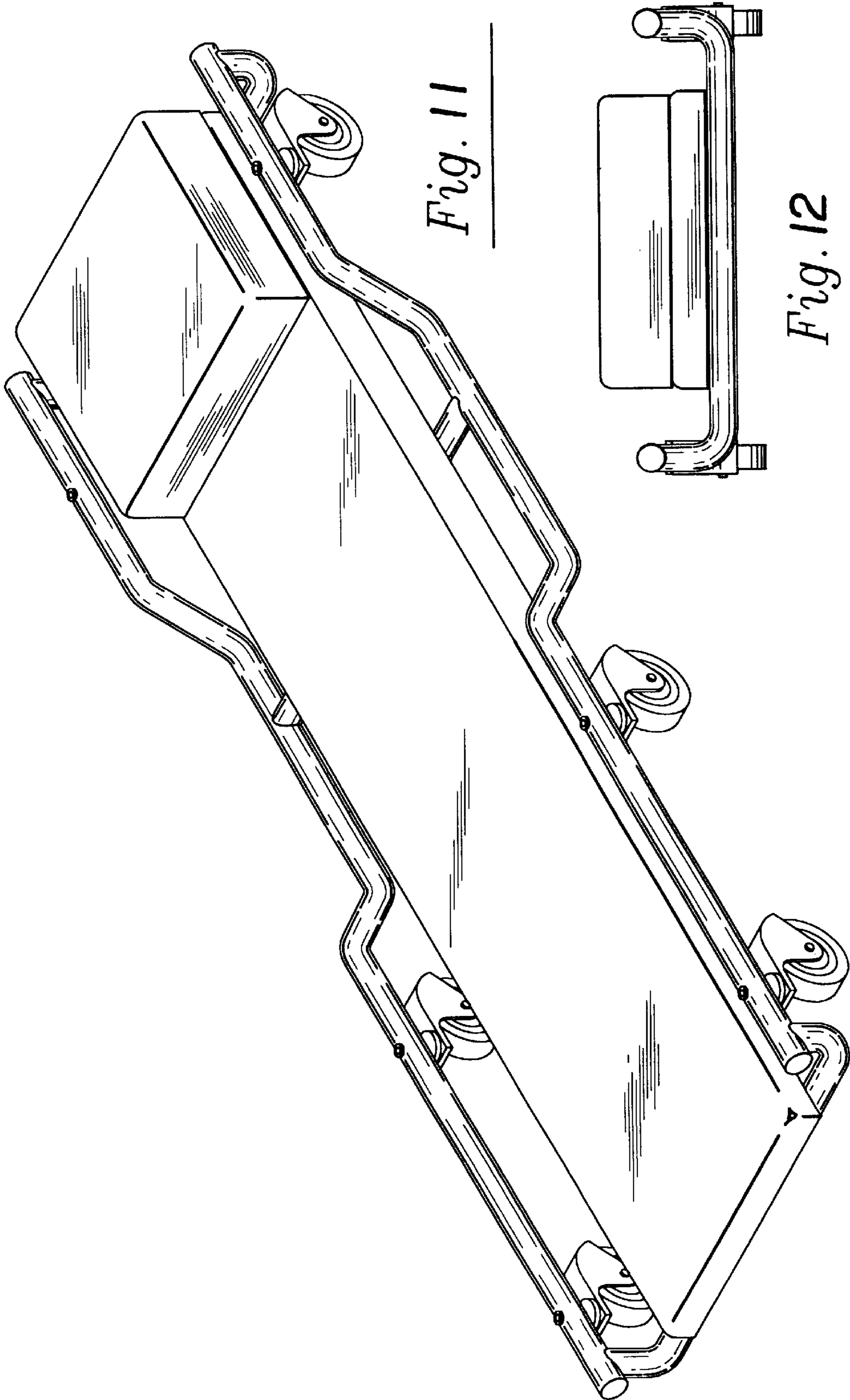


Fig. 11

Fig. 12

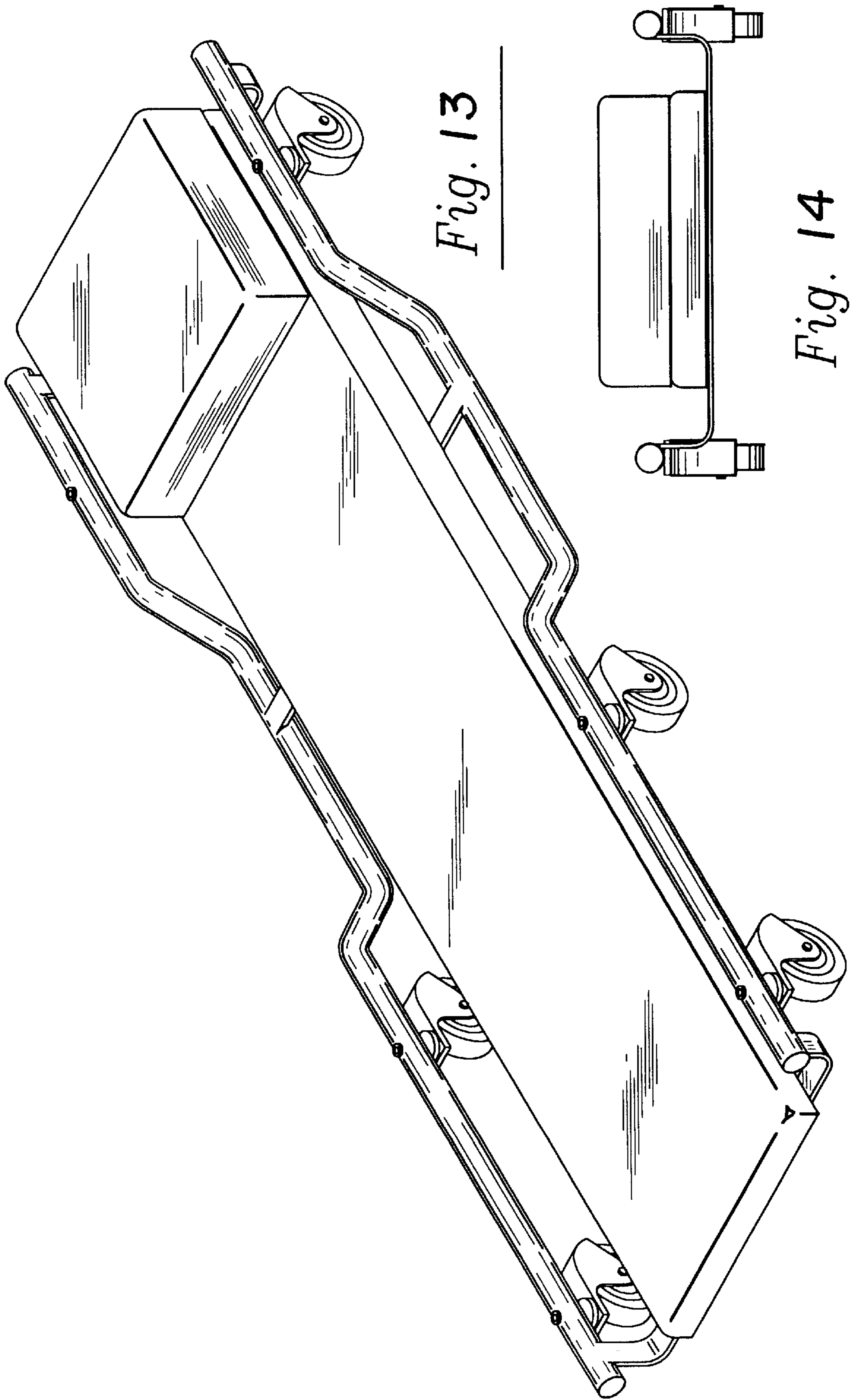


Fig. 13

Fig. 14

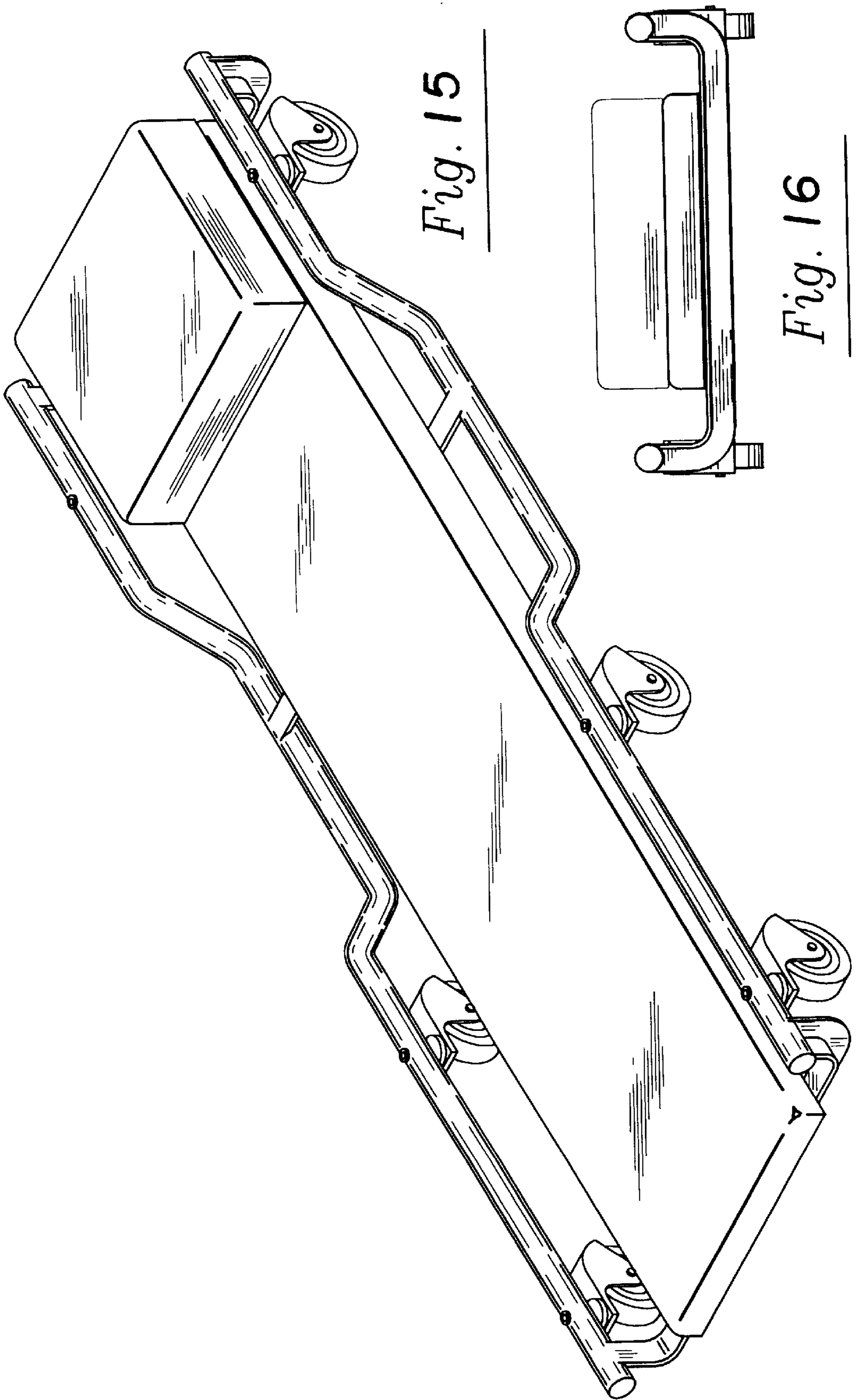


Fig. 15

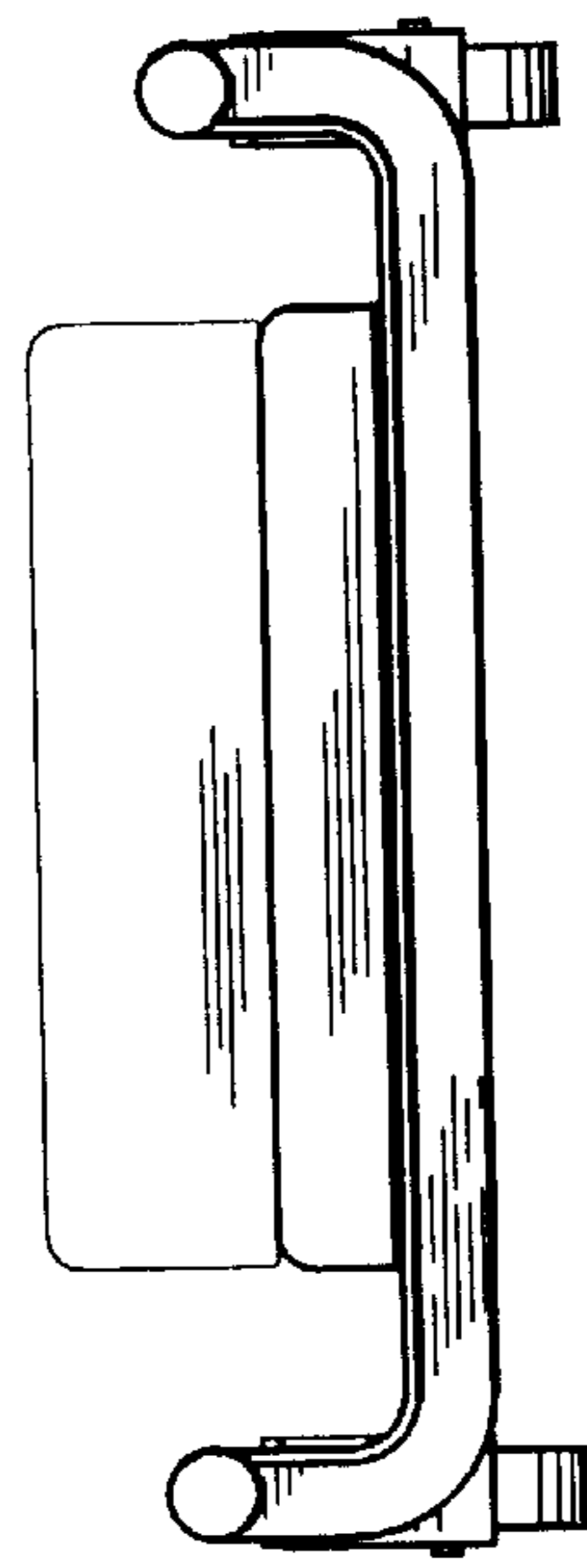


Fig. 16

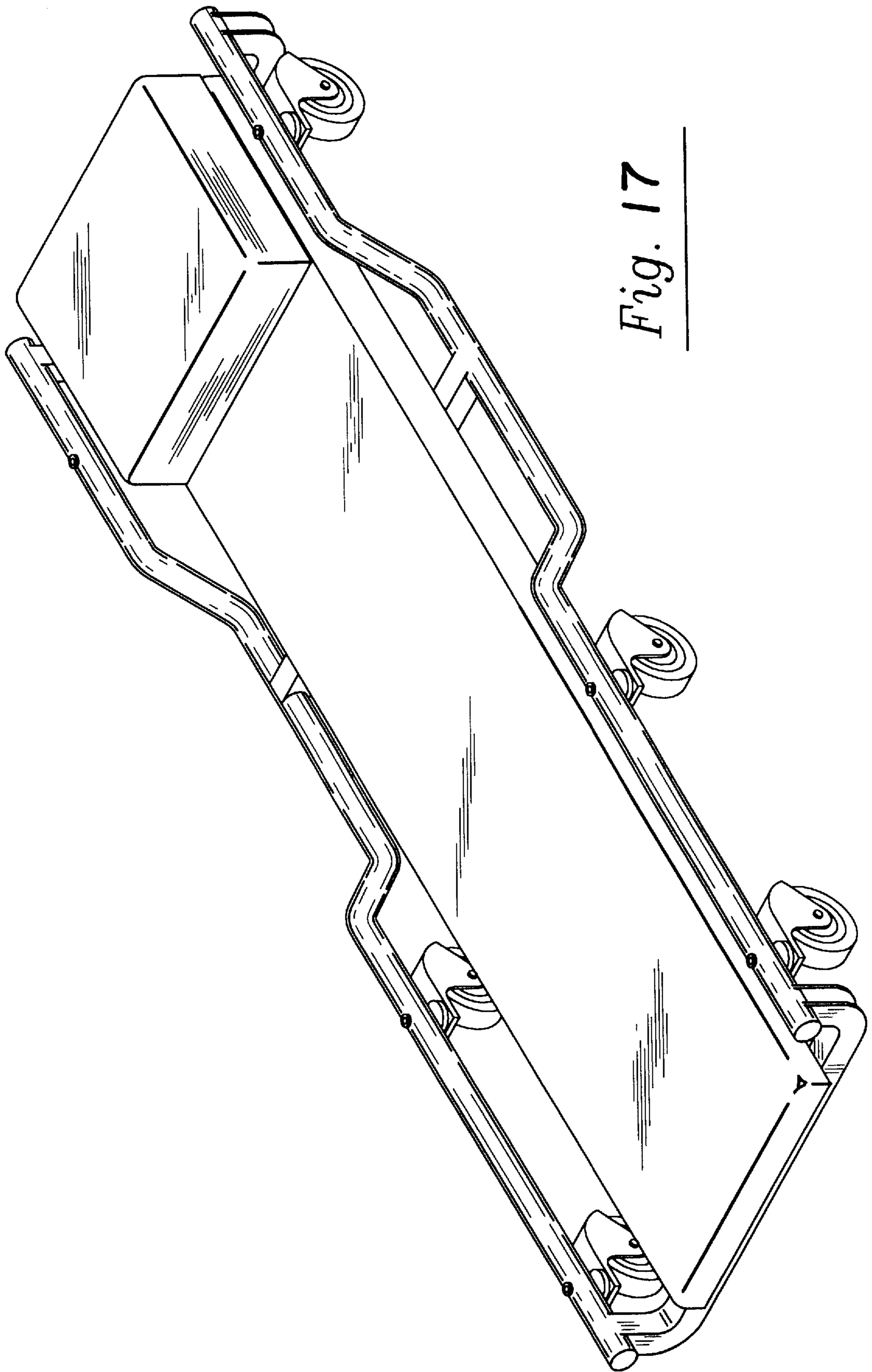


Fig. 17

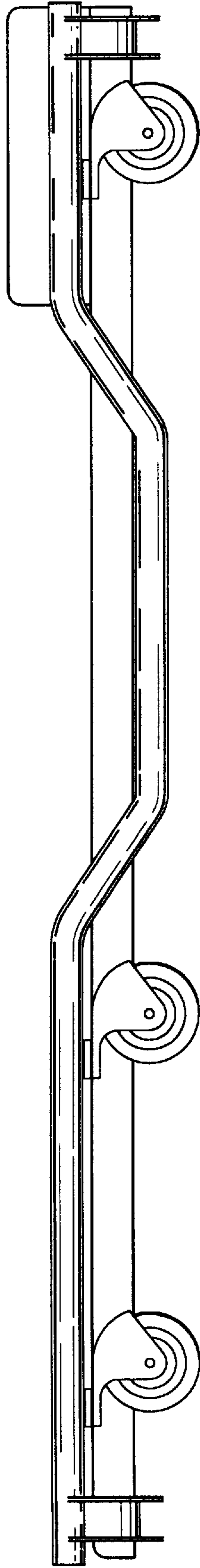


Fig. 18

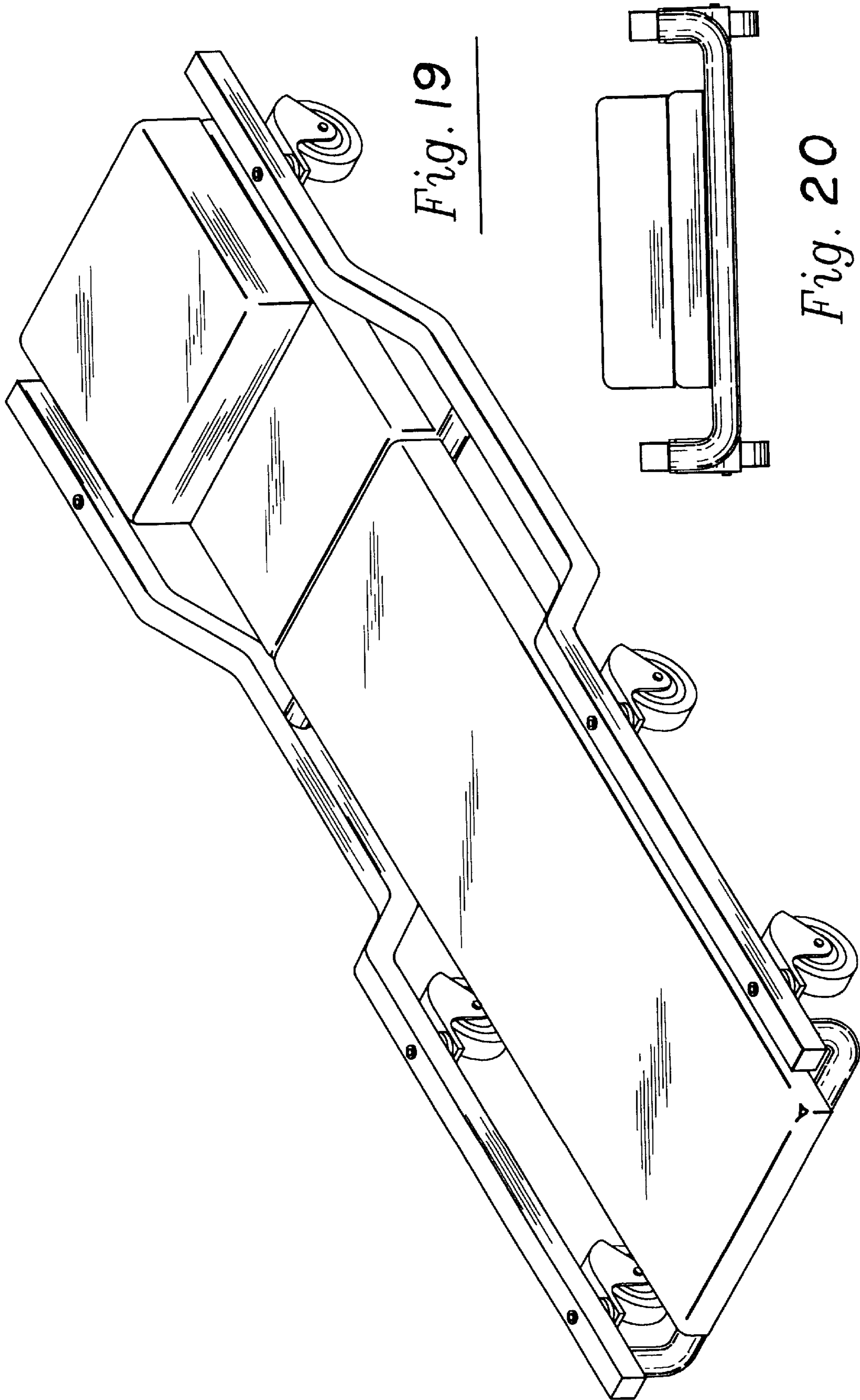
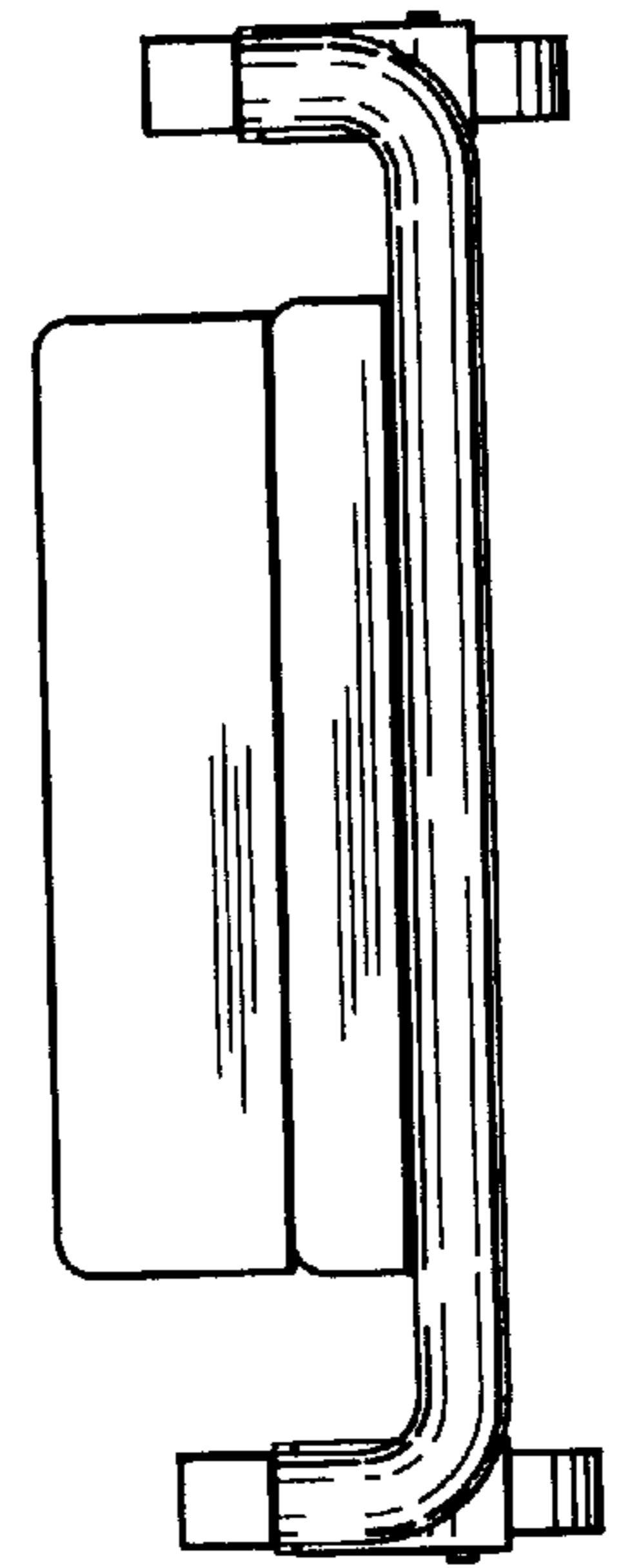


Fig. 19

Fig. 20



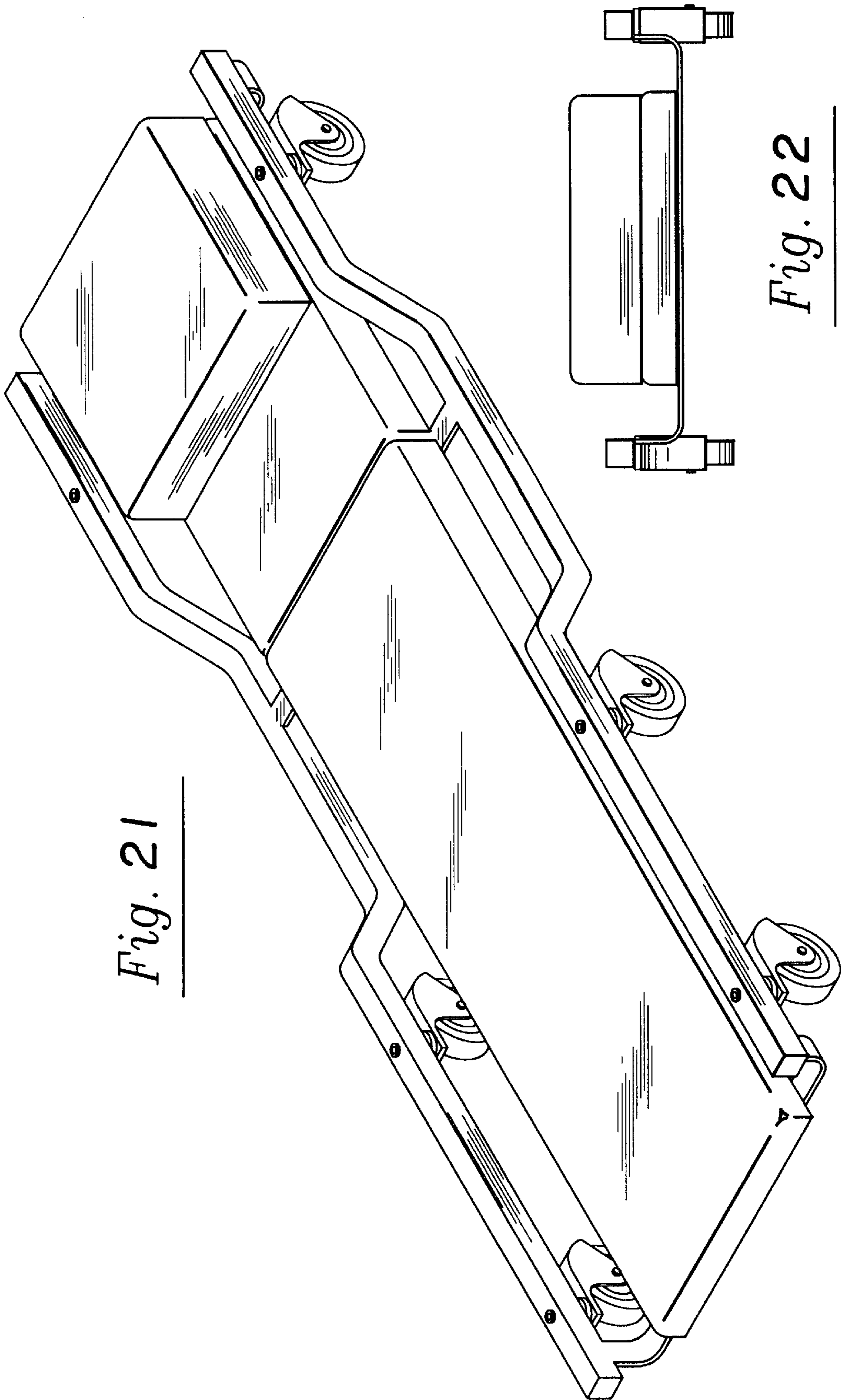


Fig. 21

Fig. 22

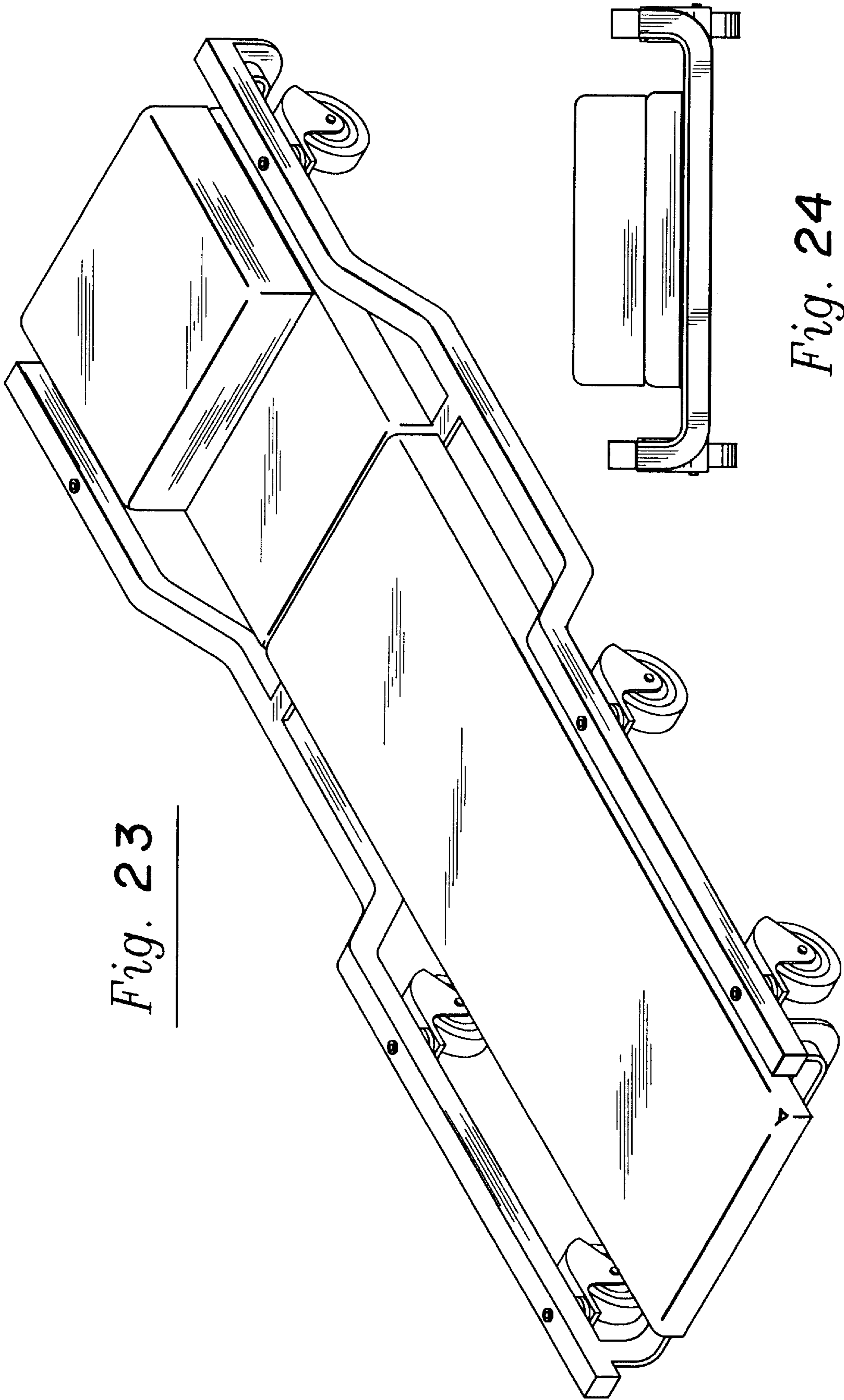


Fig. 23

Fig. 24

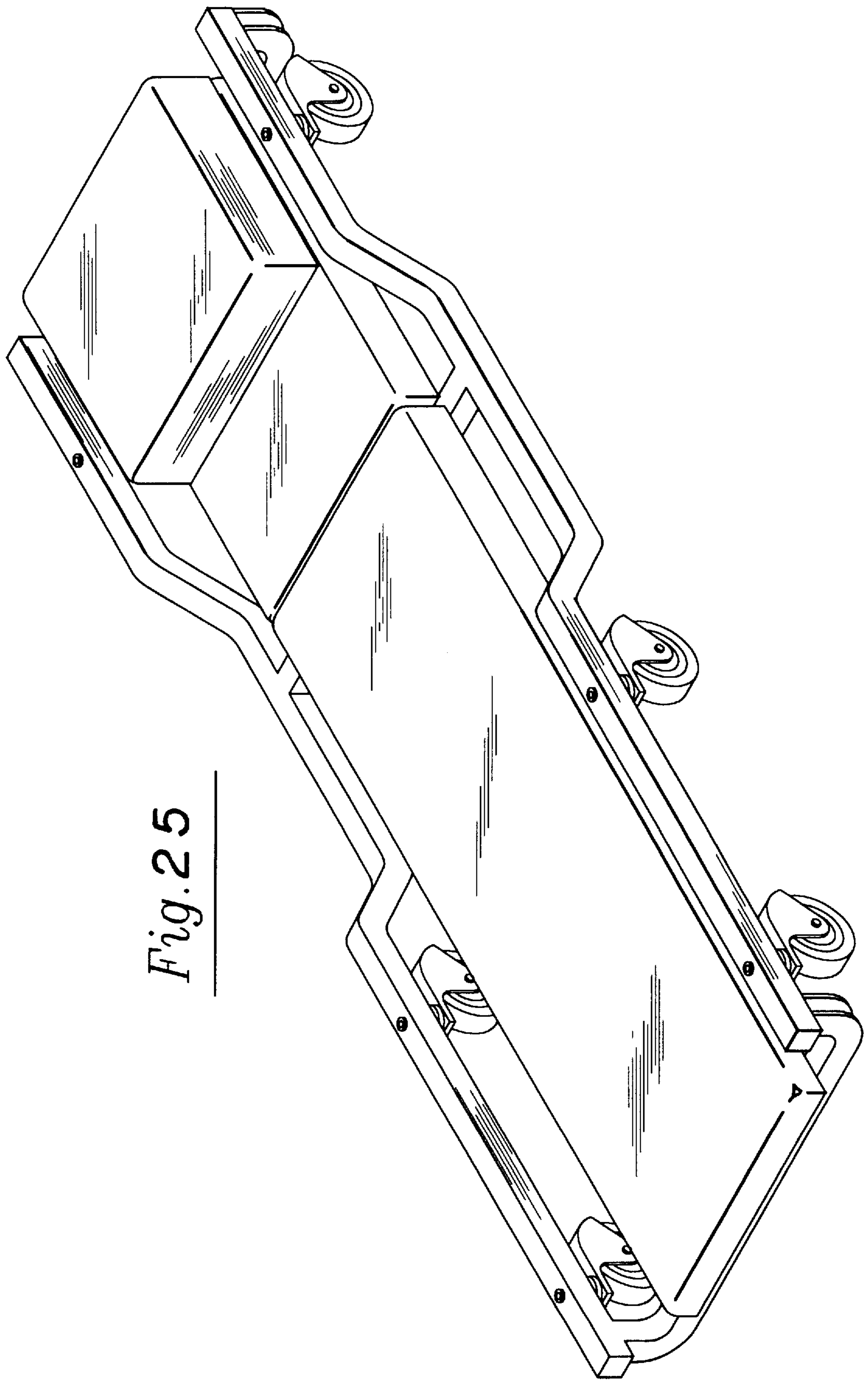


Fig. 25

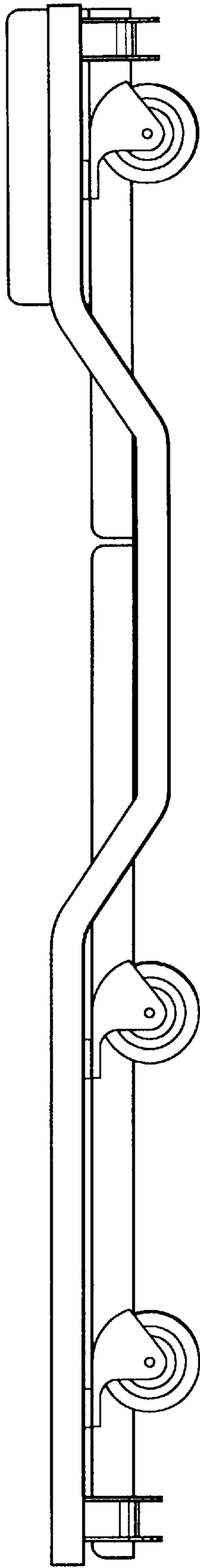


Fig. 26

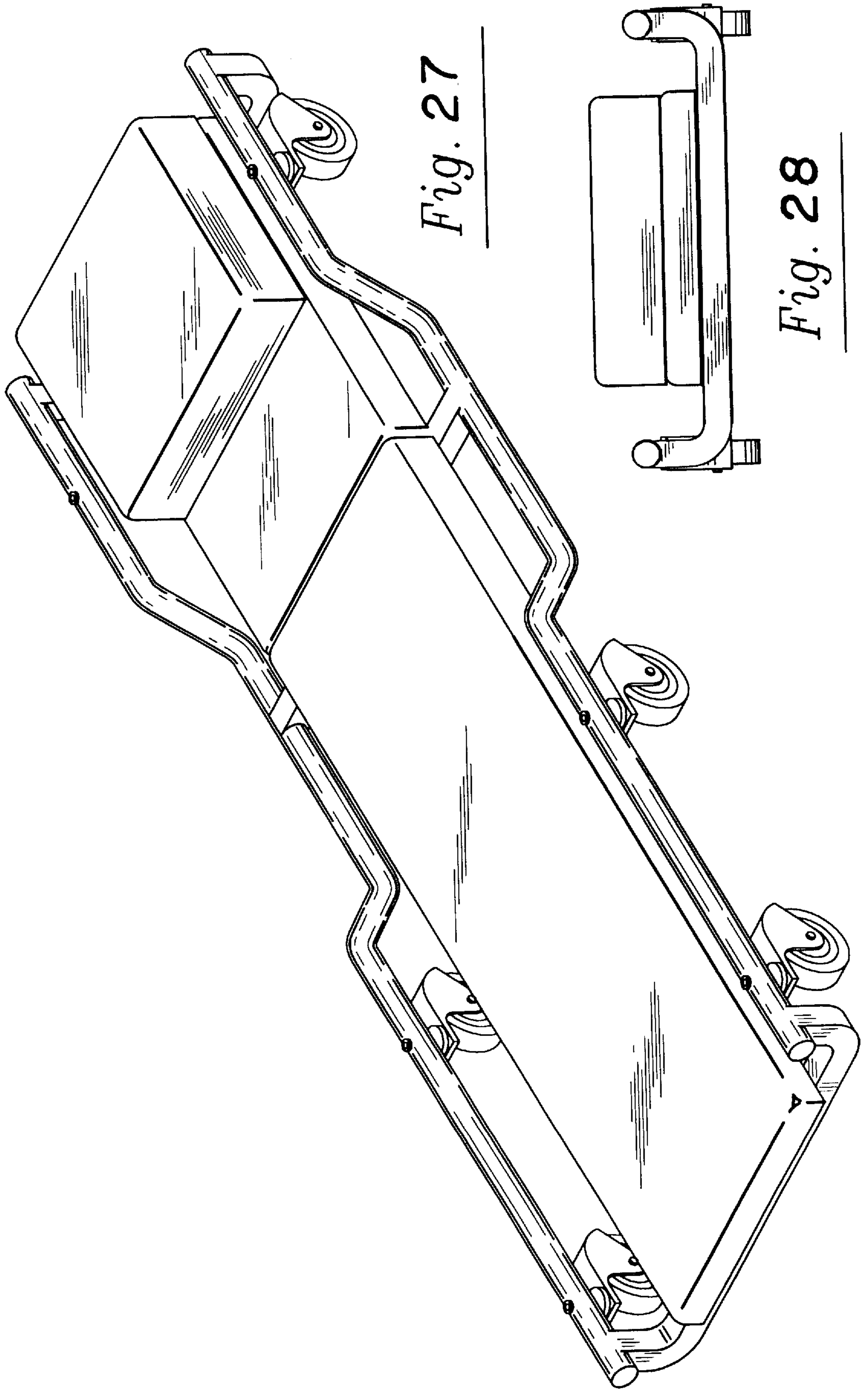


Fig. 27

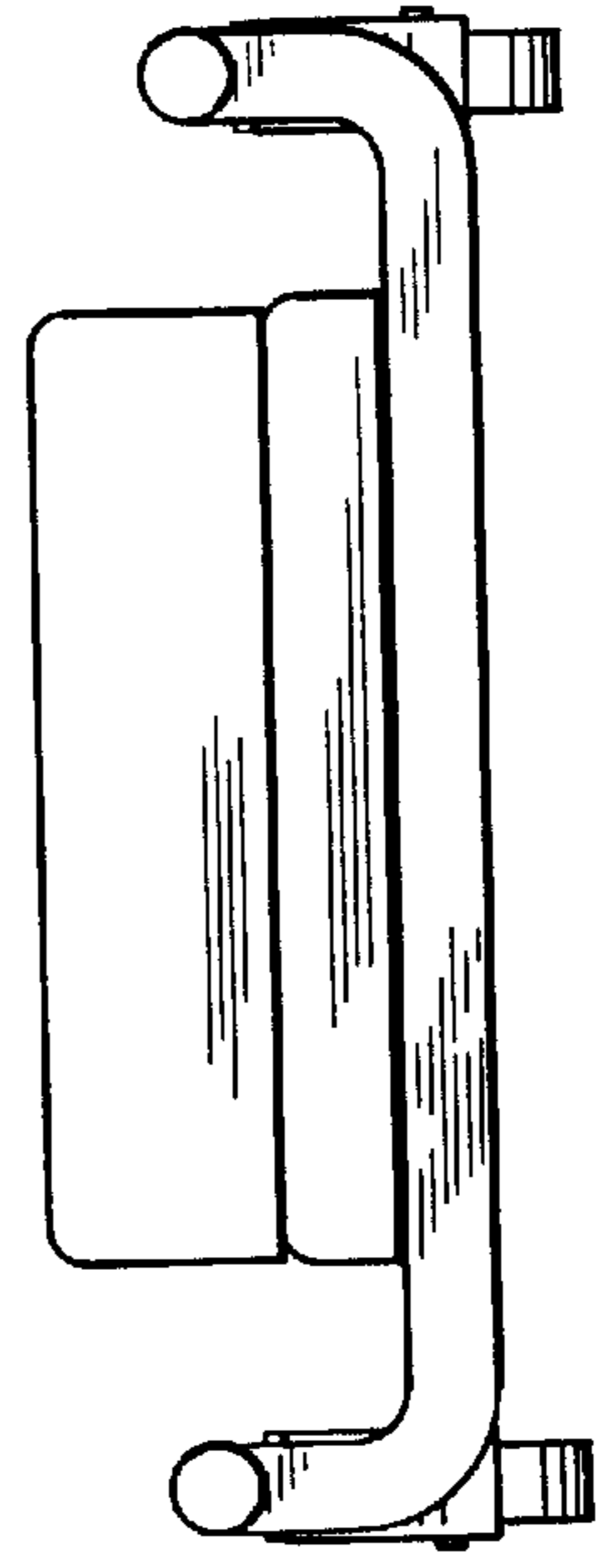


Fig. 28

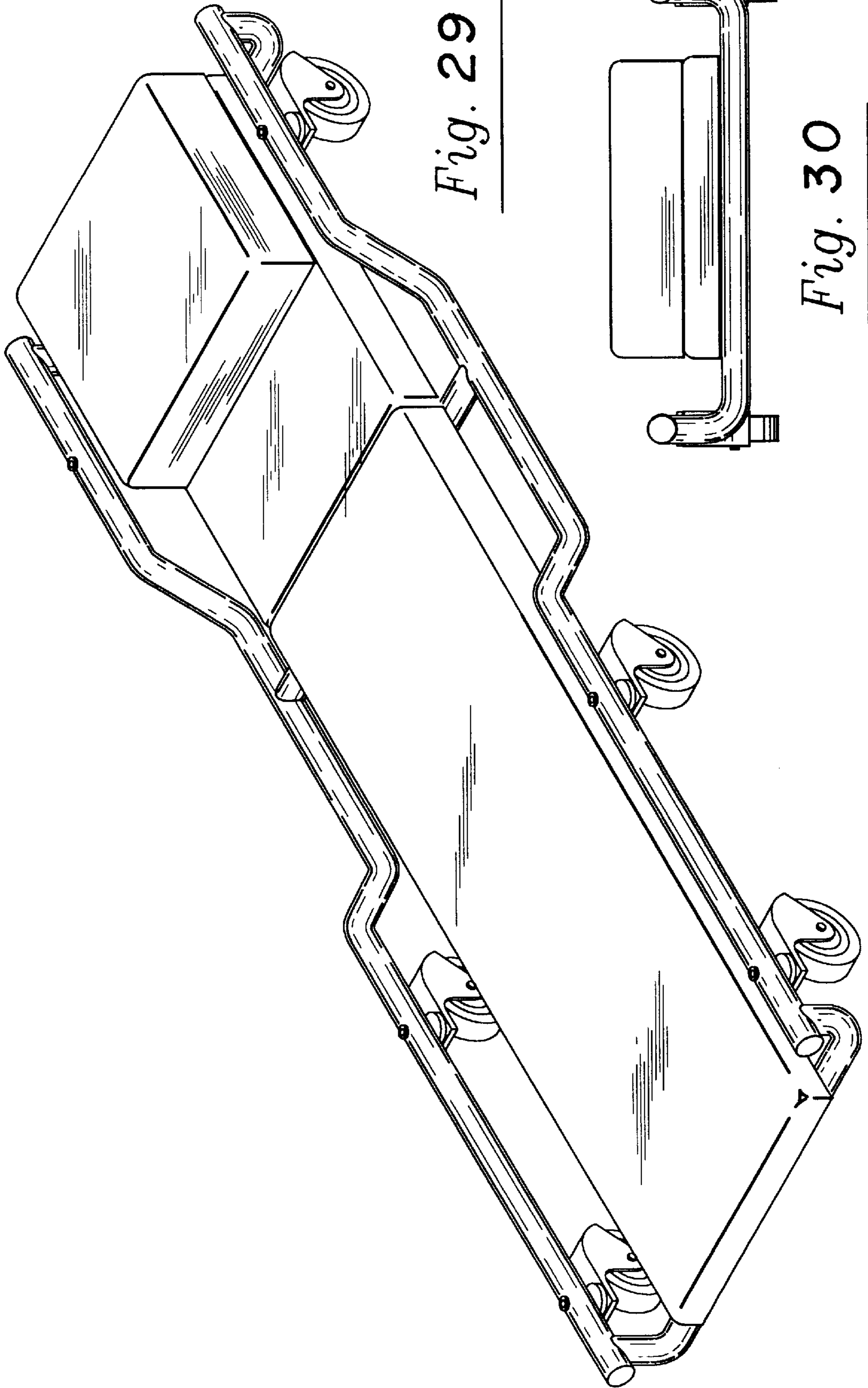


Fig. 29

Fig. 30

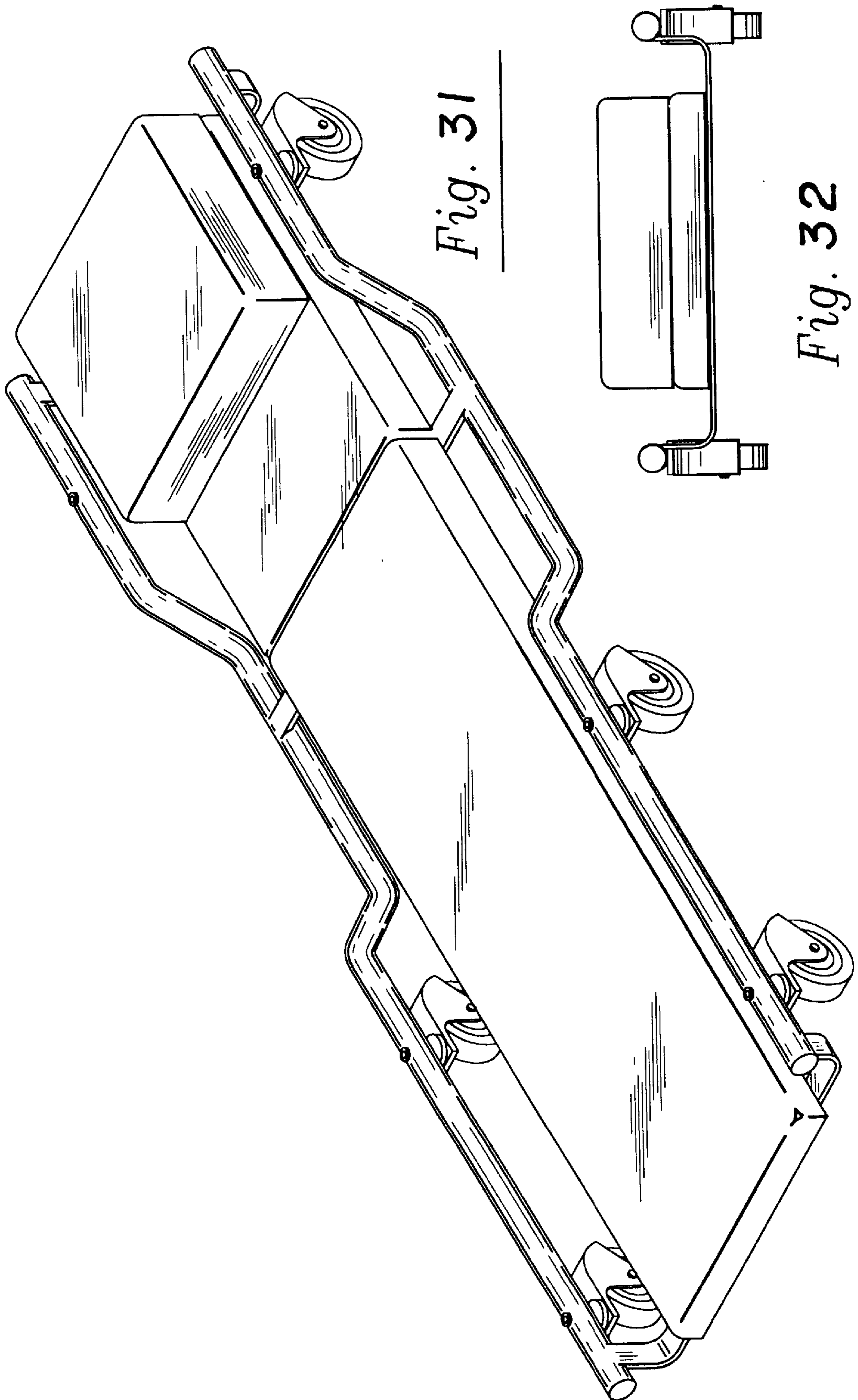


Fig. 31

Fig. 32

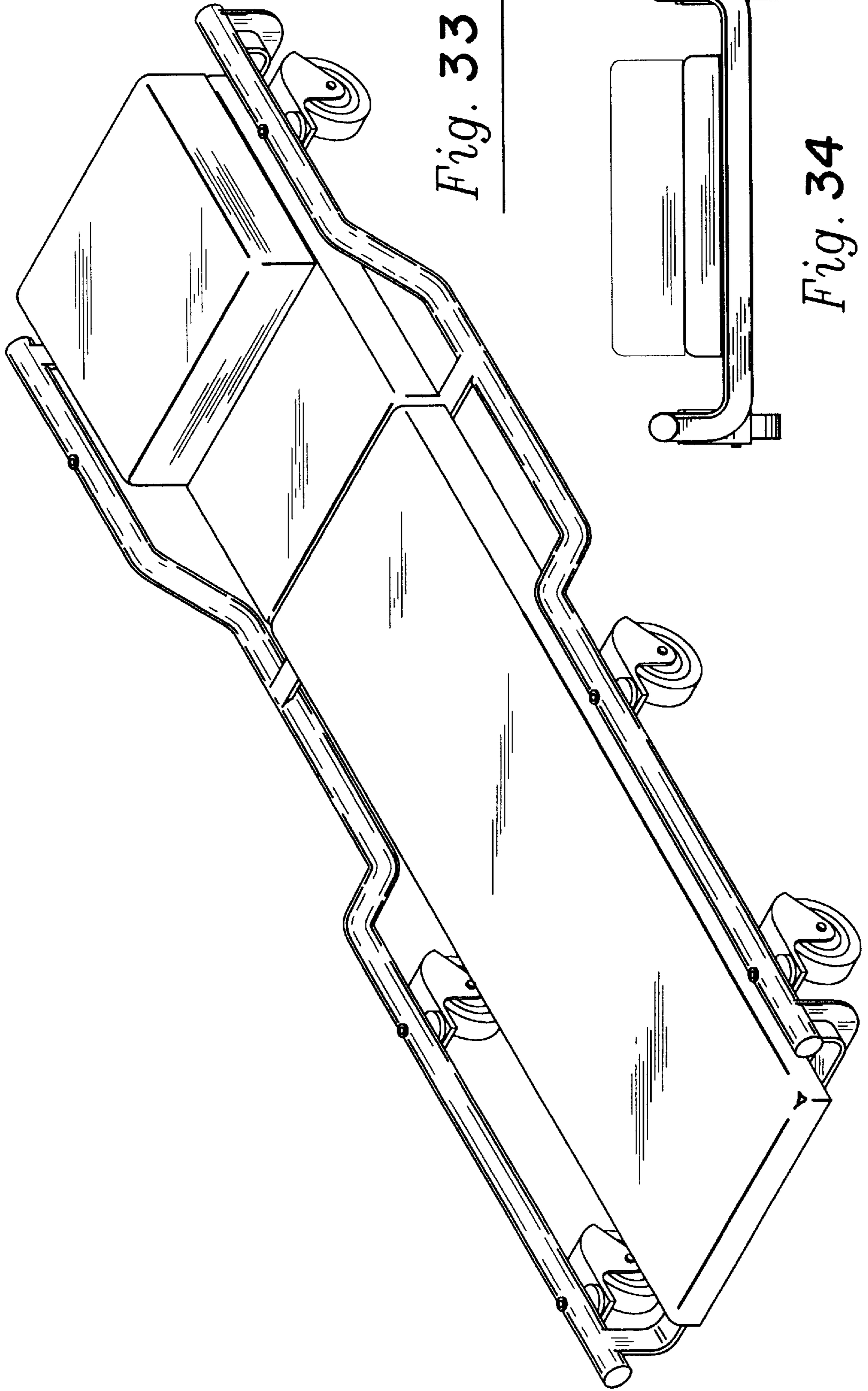


Fig. 33

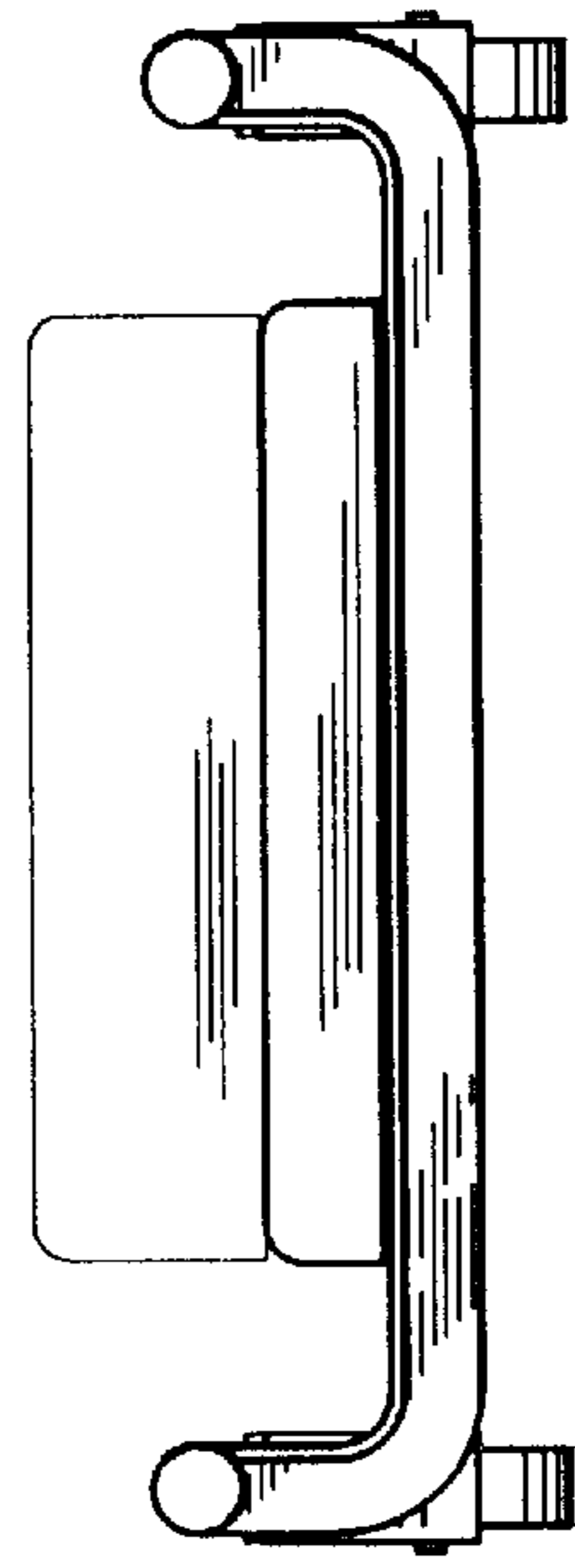


Fig. 34

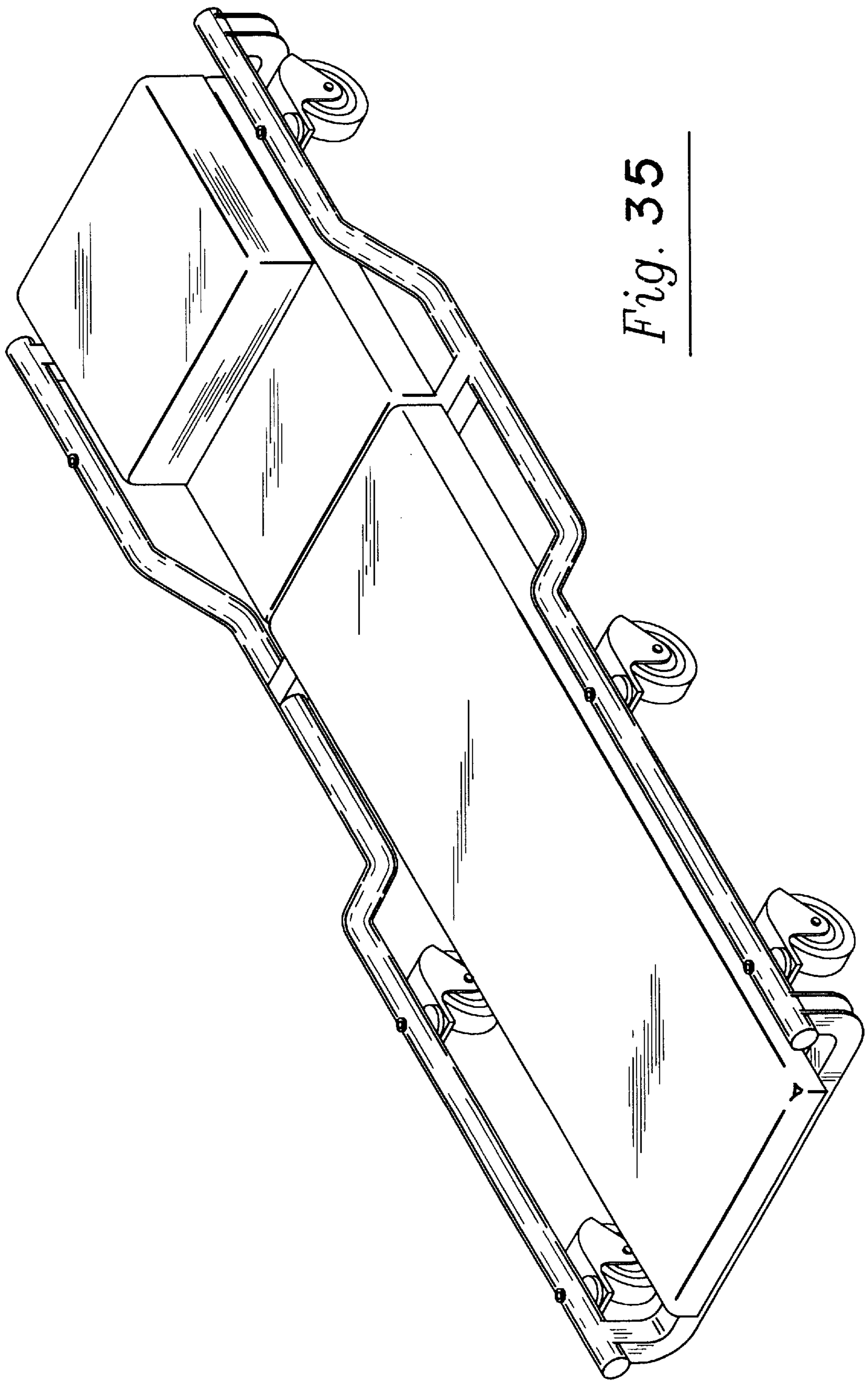


Fig. 35

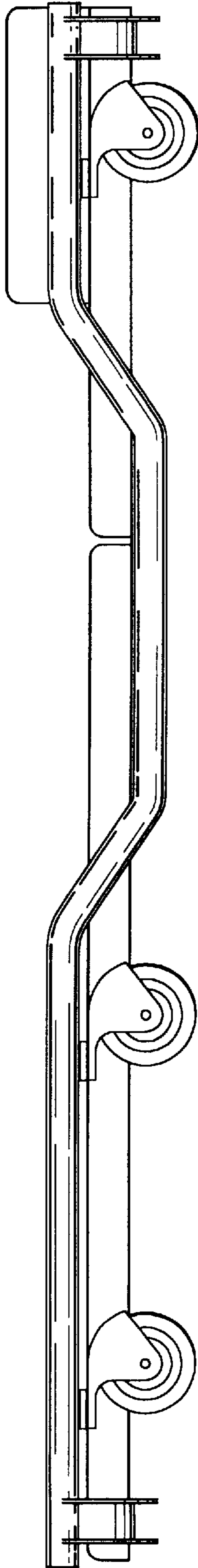


Fig. 36

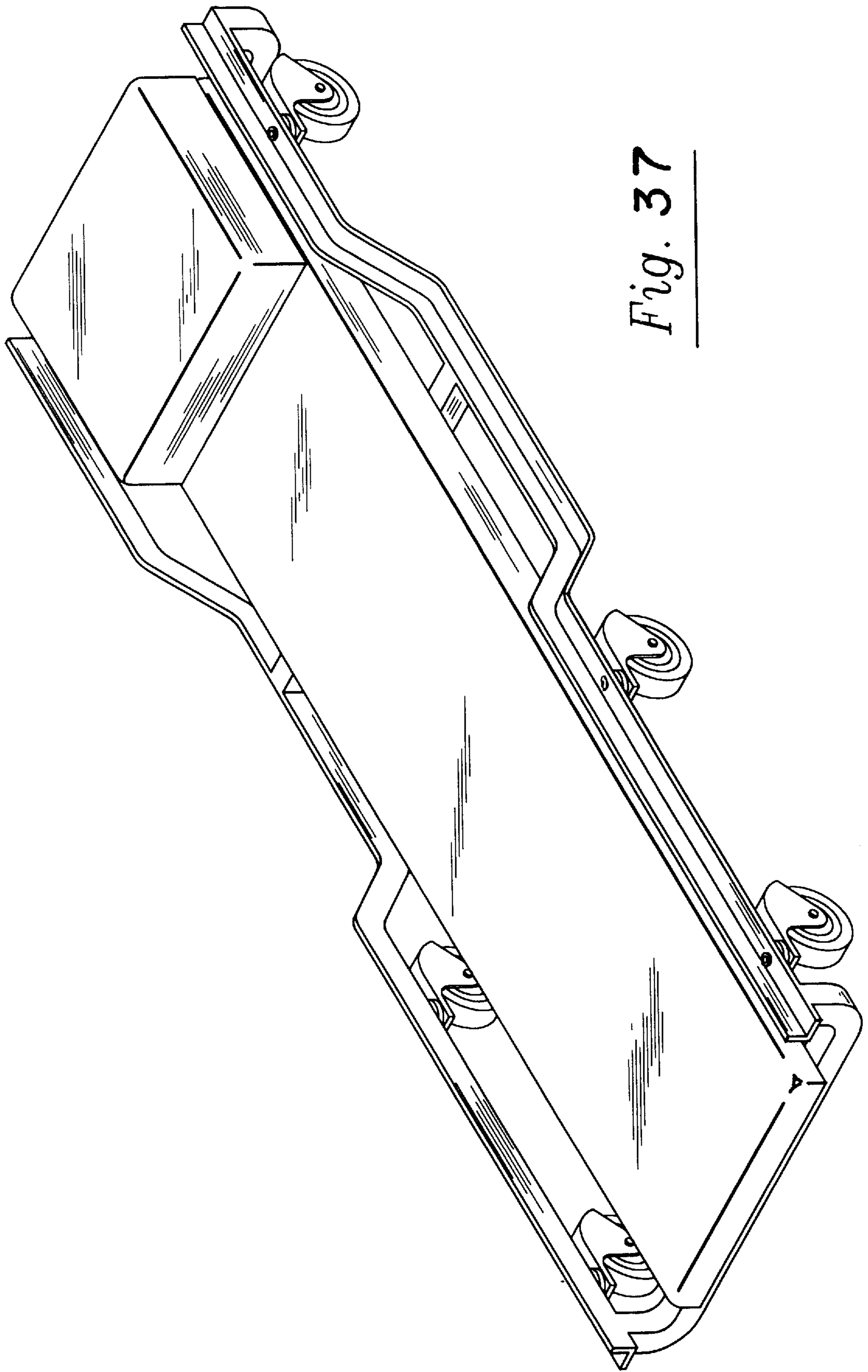


Fig. 37

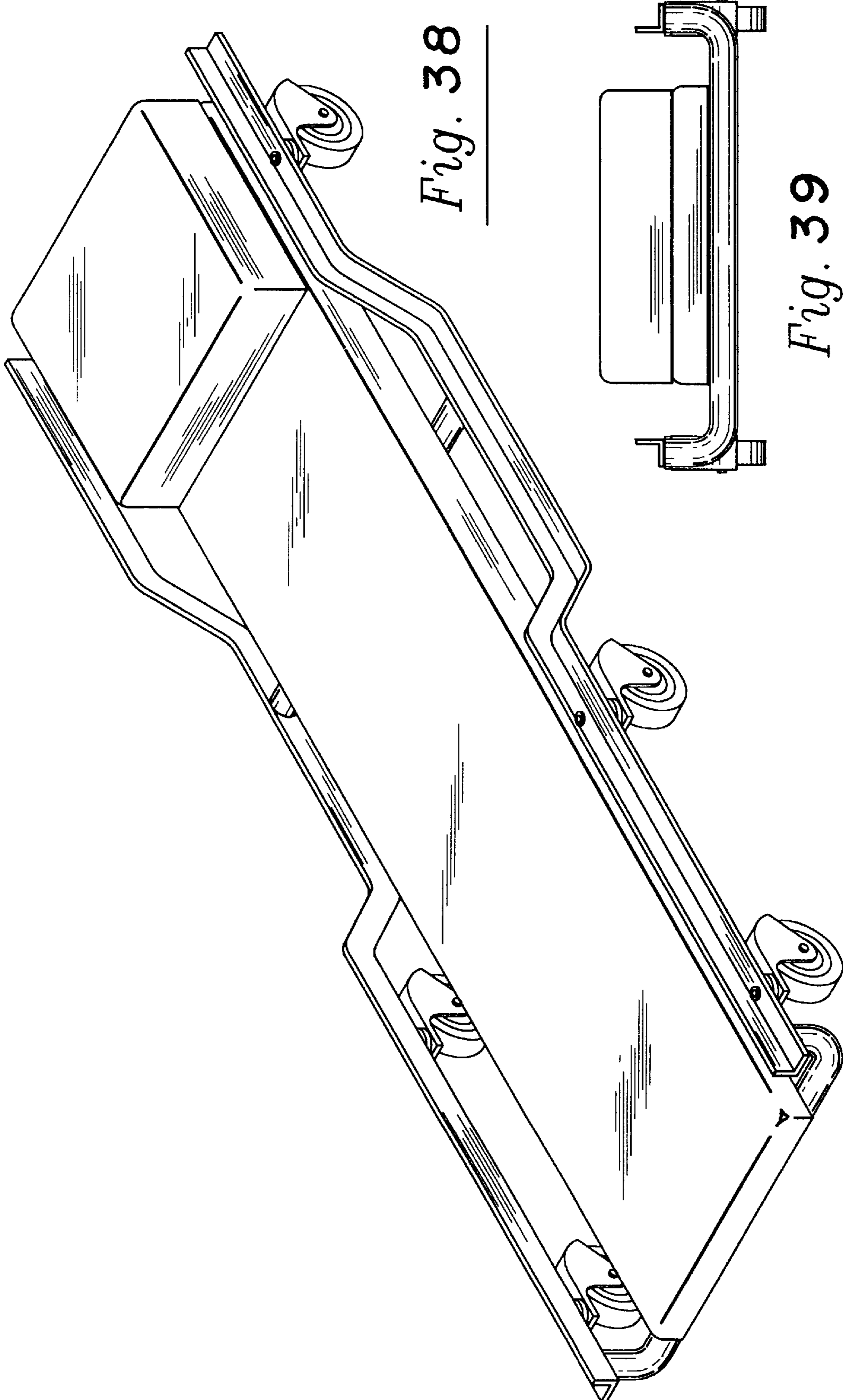


Fig. 38



Fig. 39

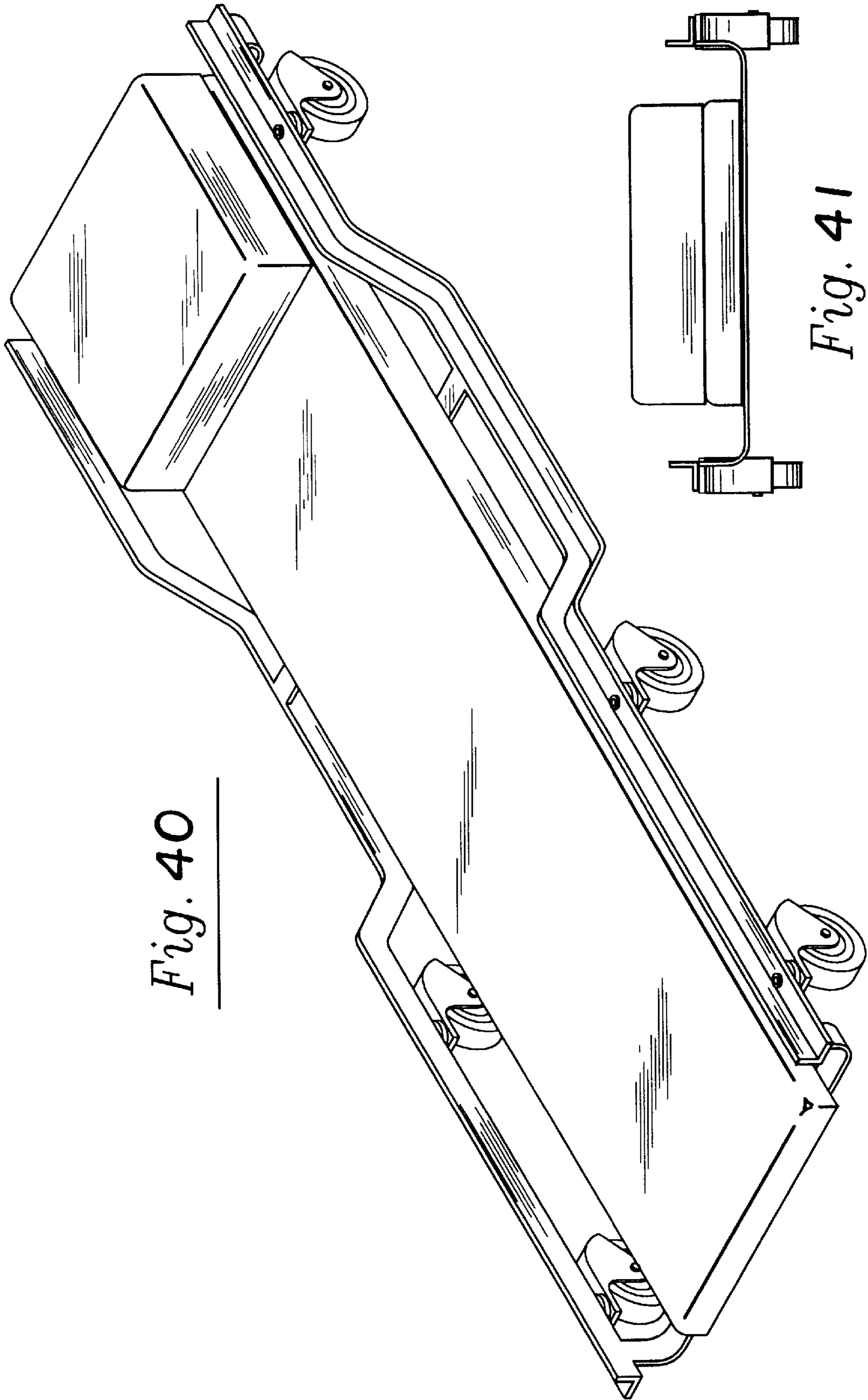


Fig. 40

Fig. 41

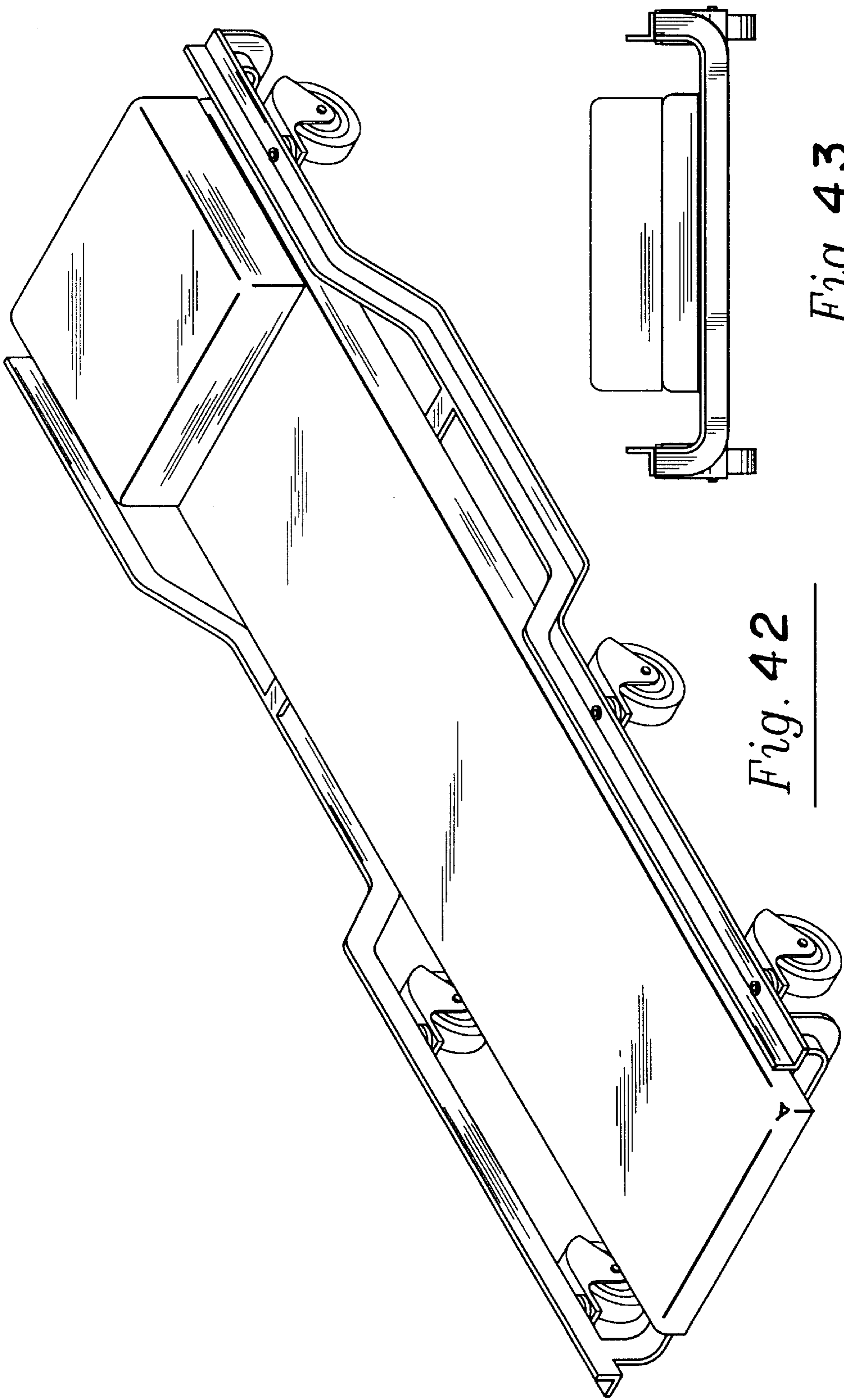


Fig. 42

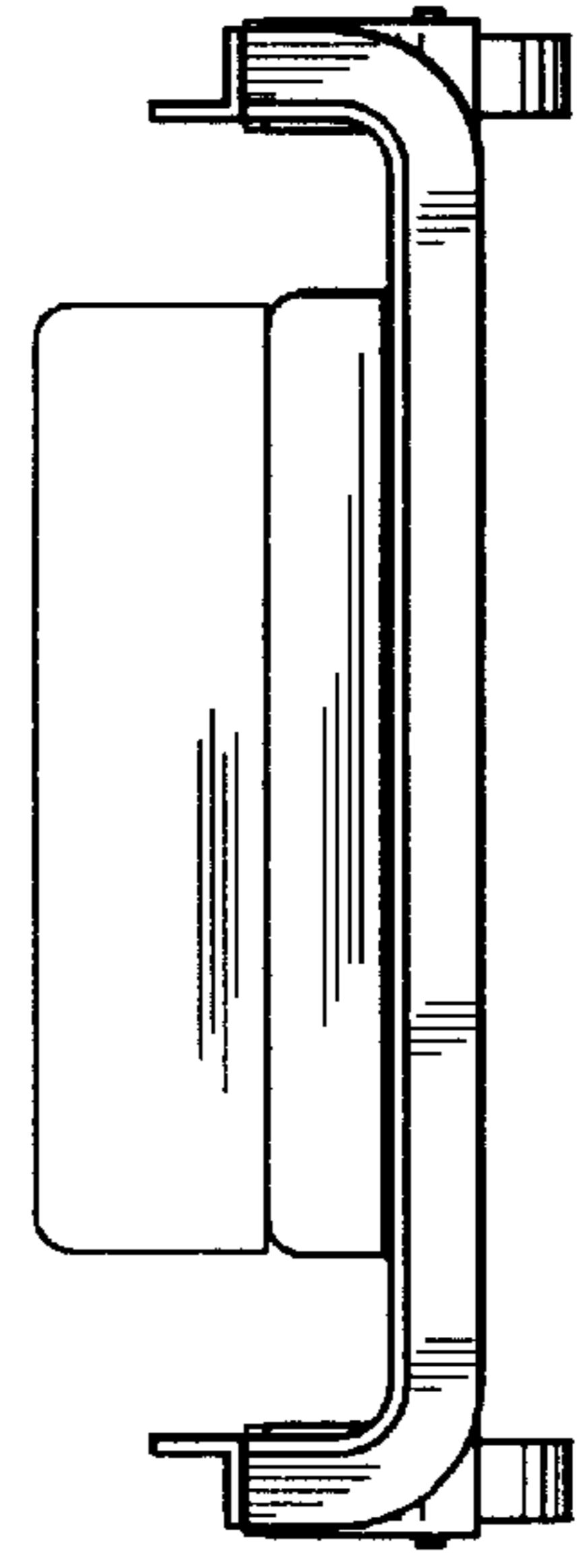


Fig. 43

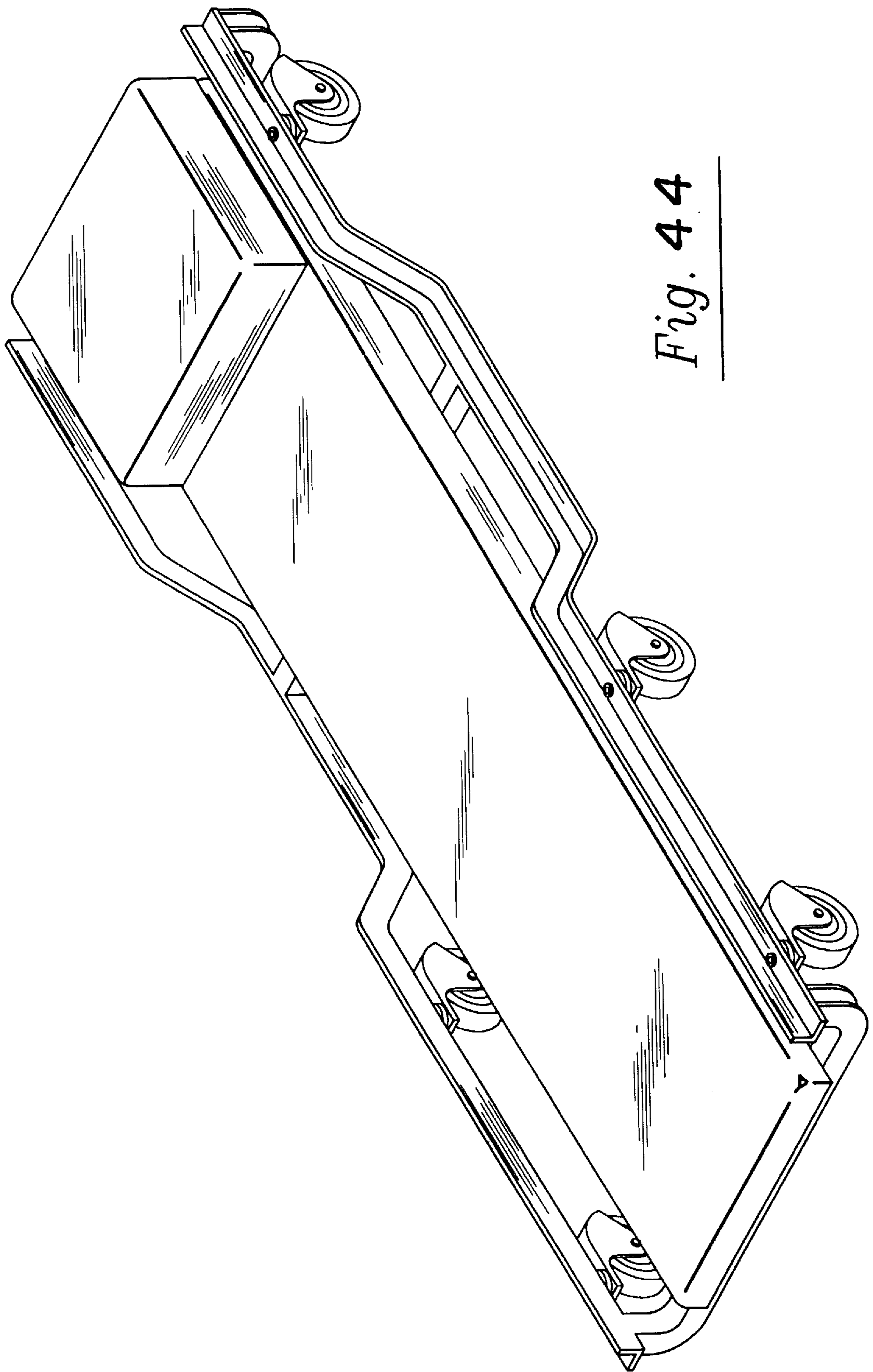


Fig. 44

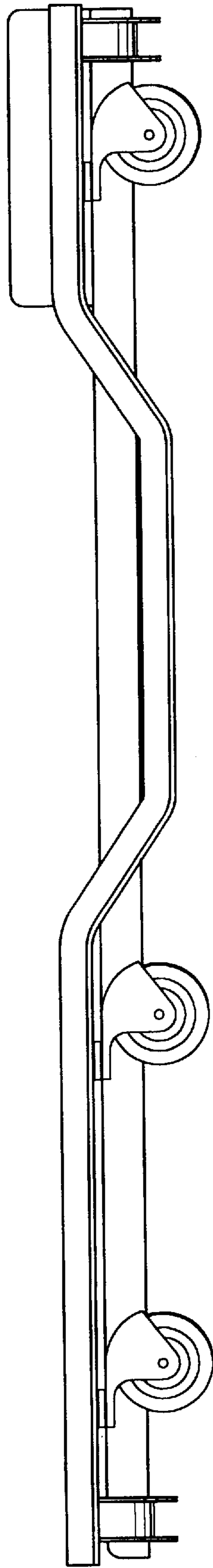


Fig. 45

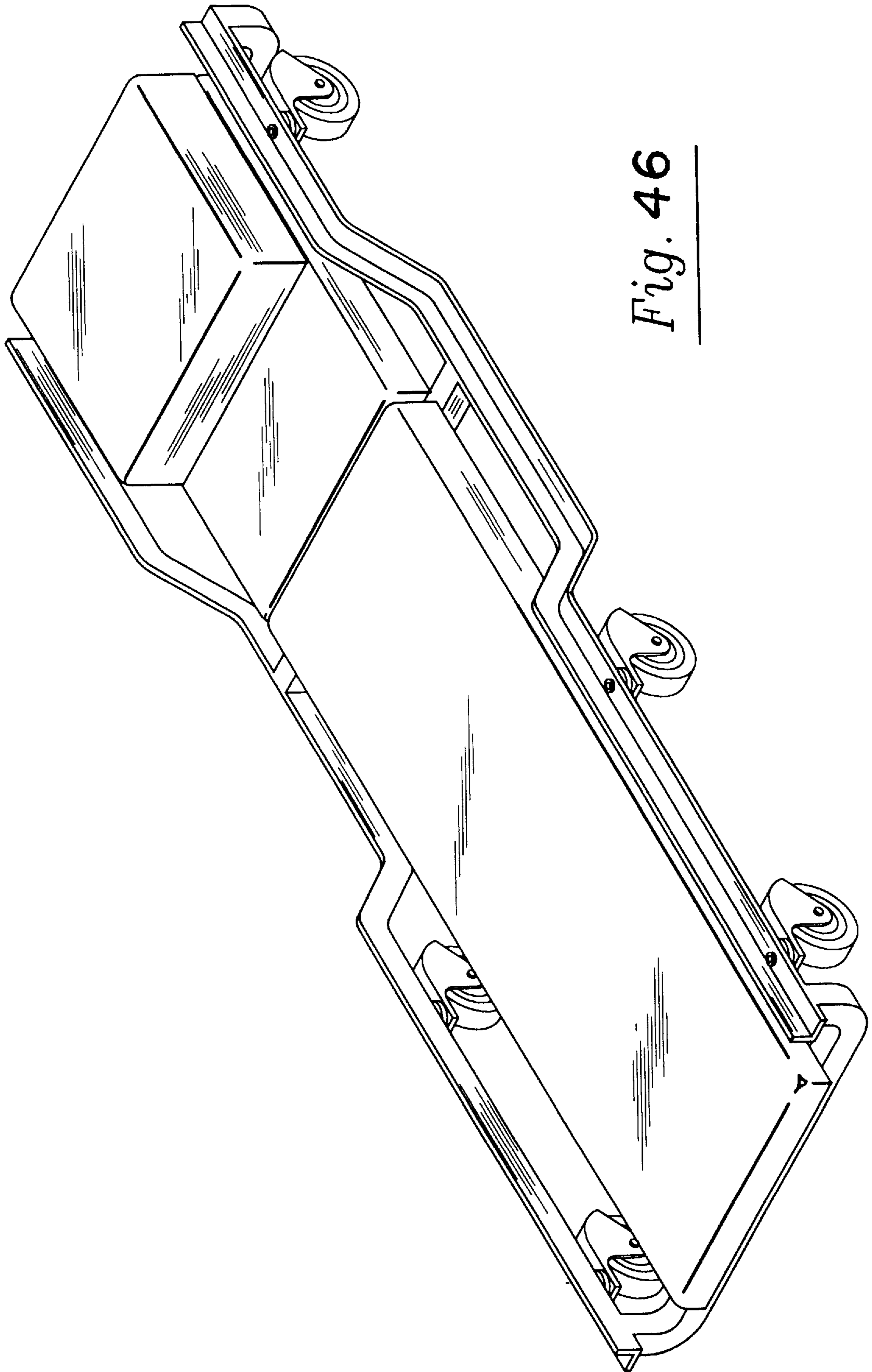


Fig. 46

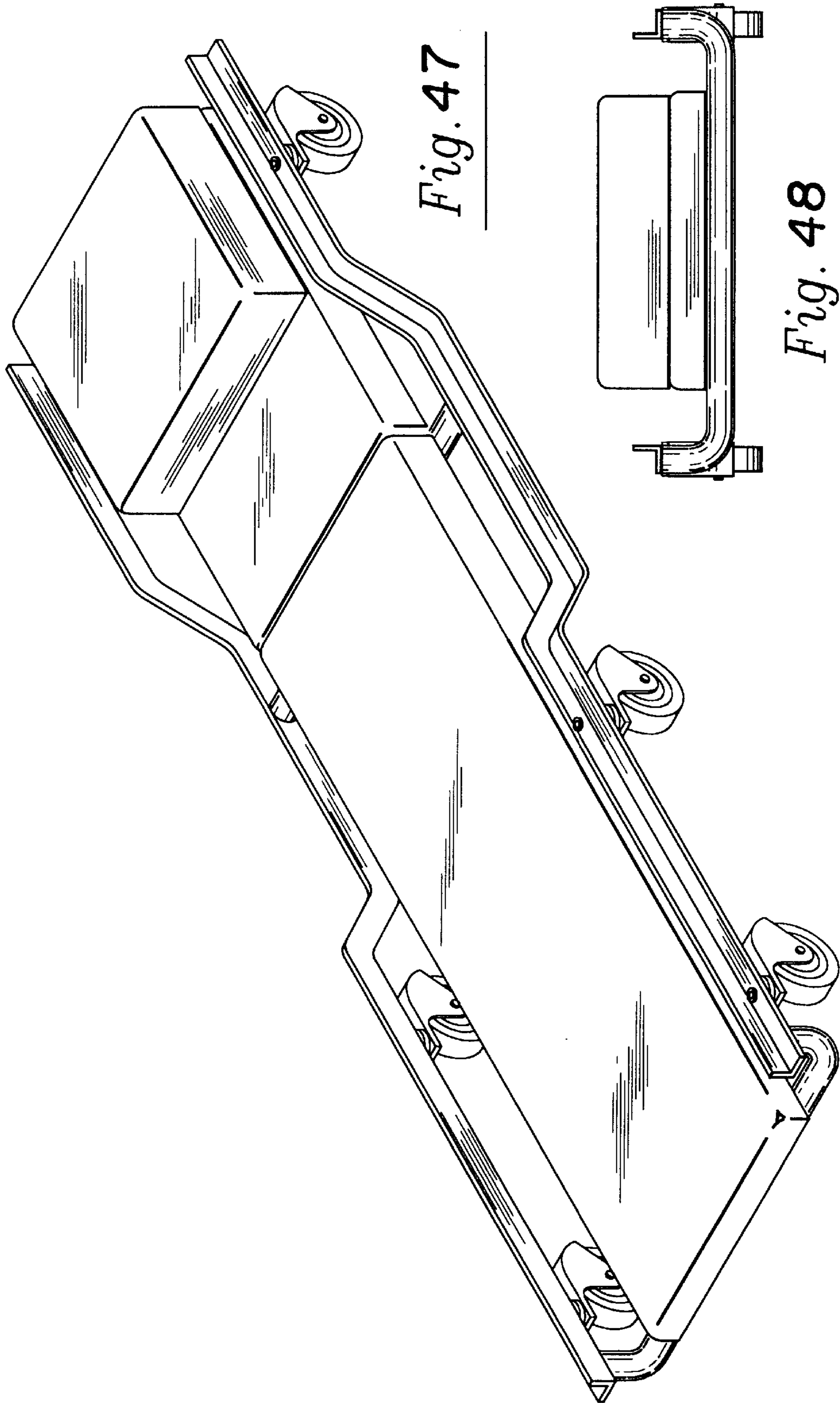
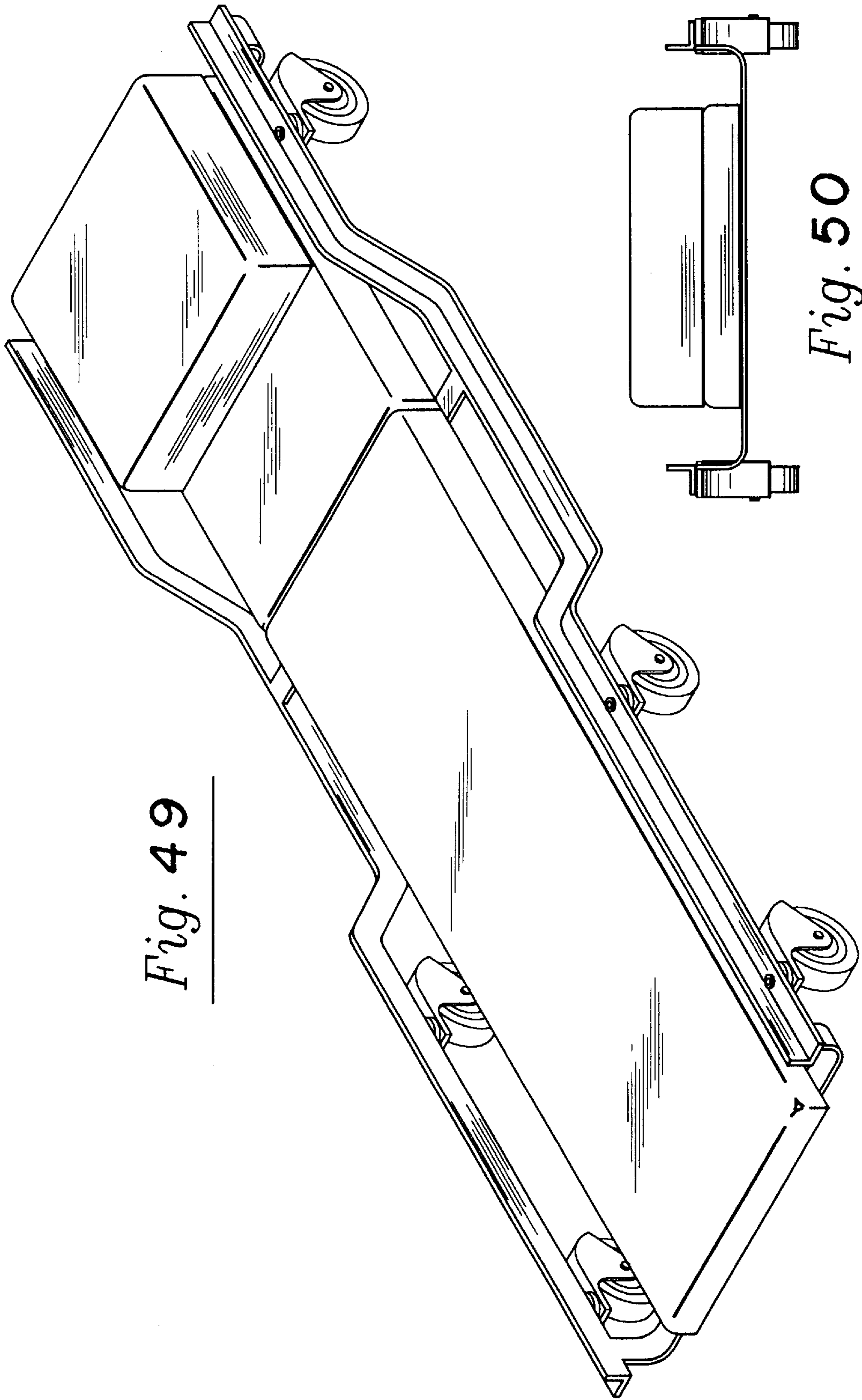


Fig. 47

Fig. 48



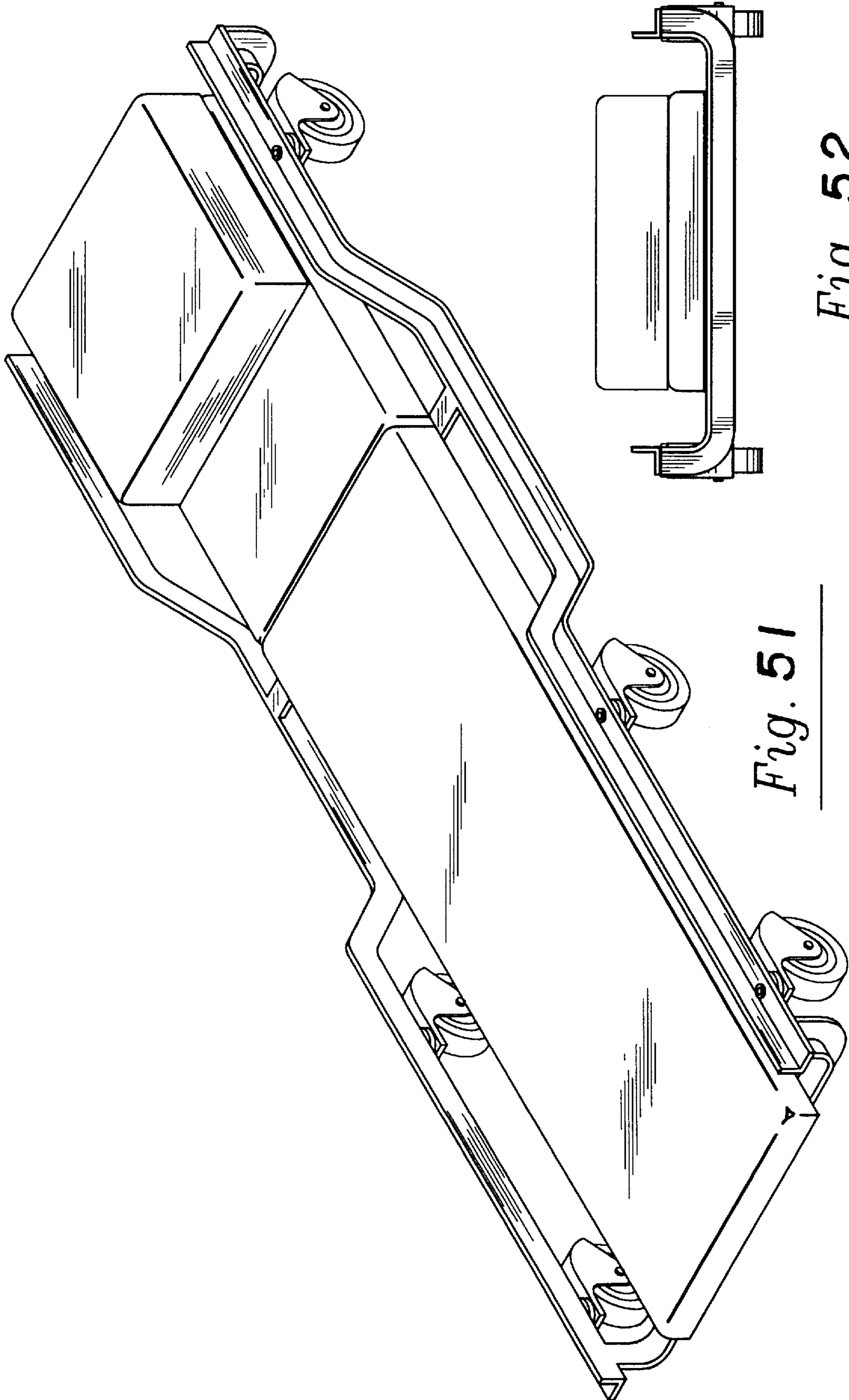


Fig. 51

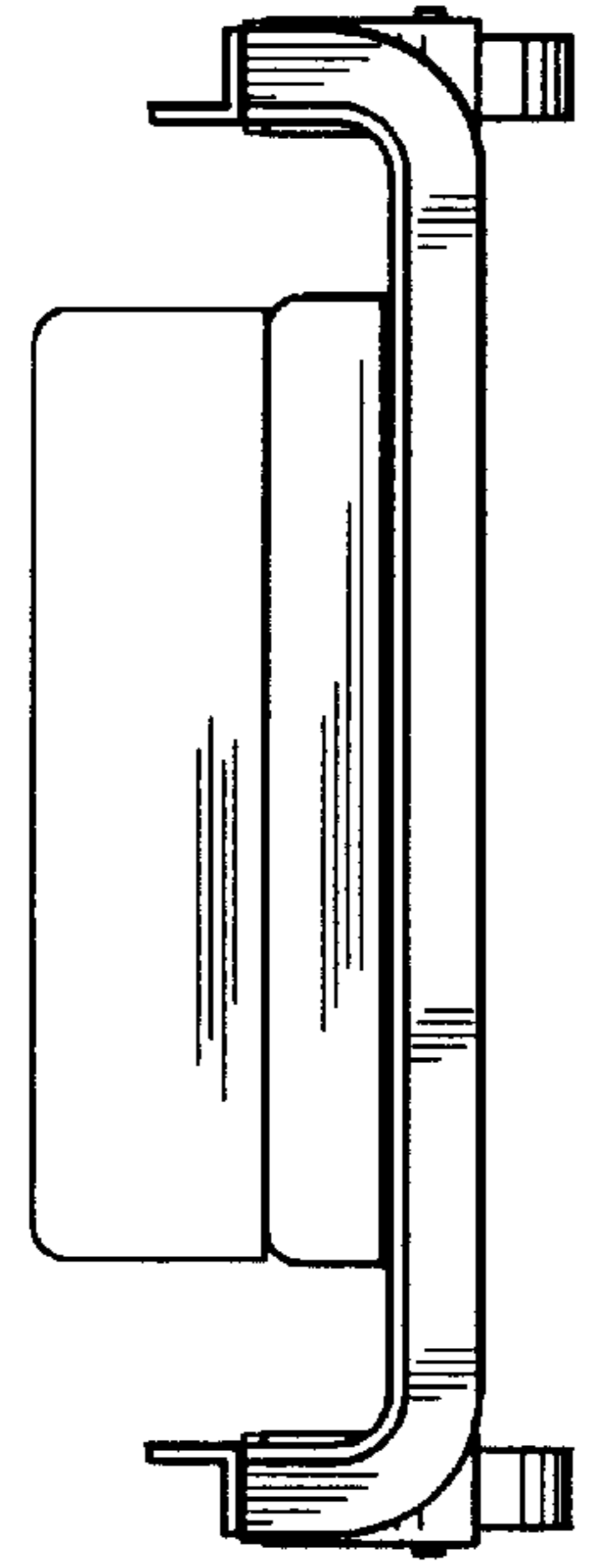


Fig. 52

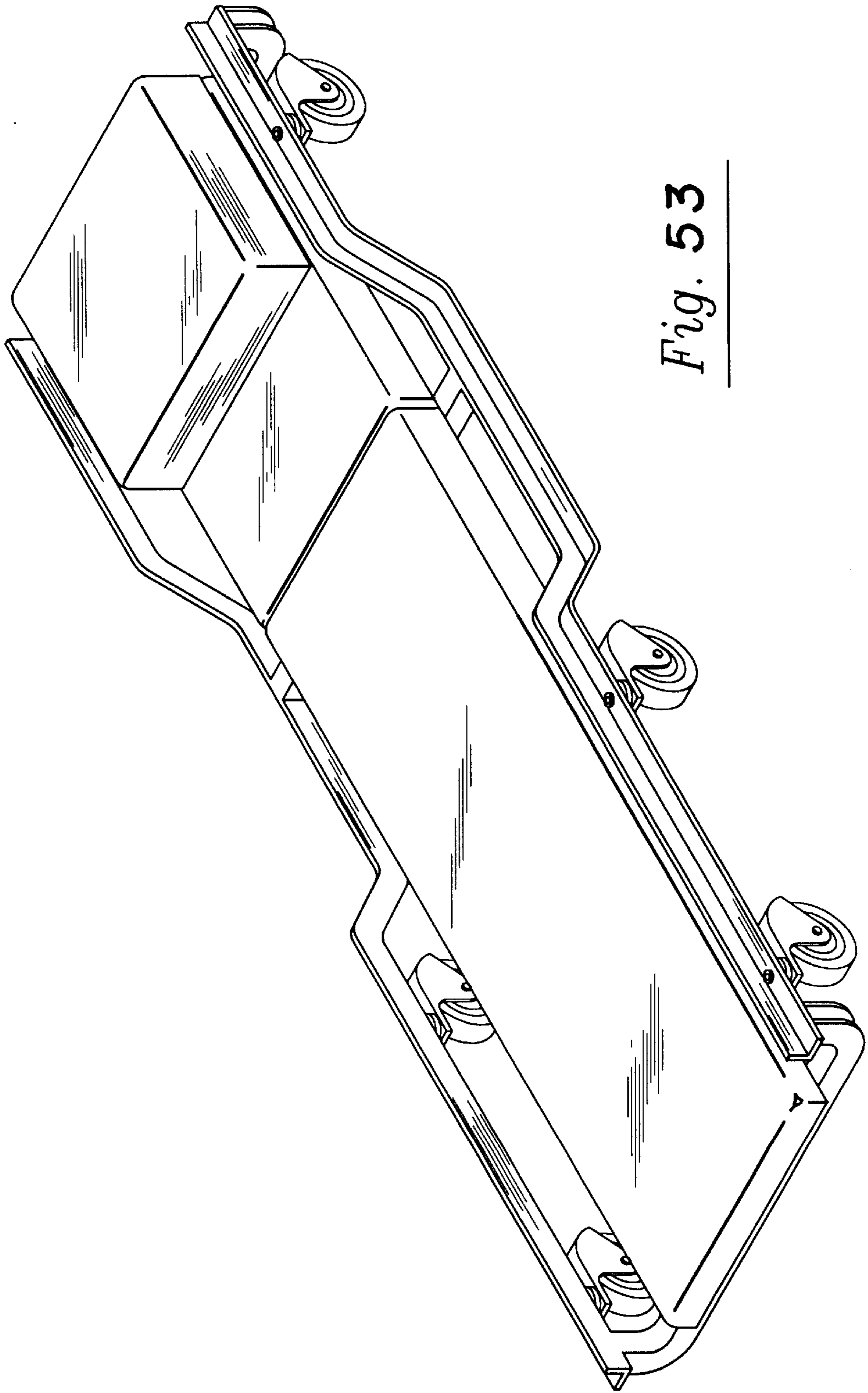


Fig. 53

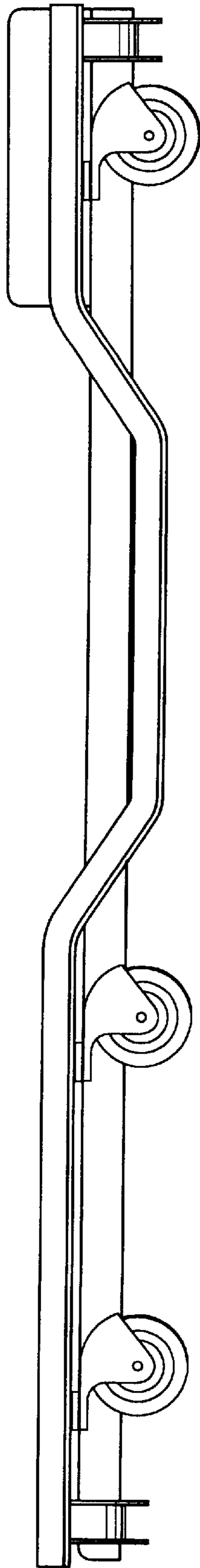


Fig. 54

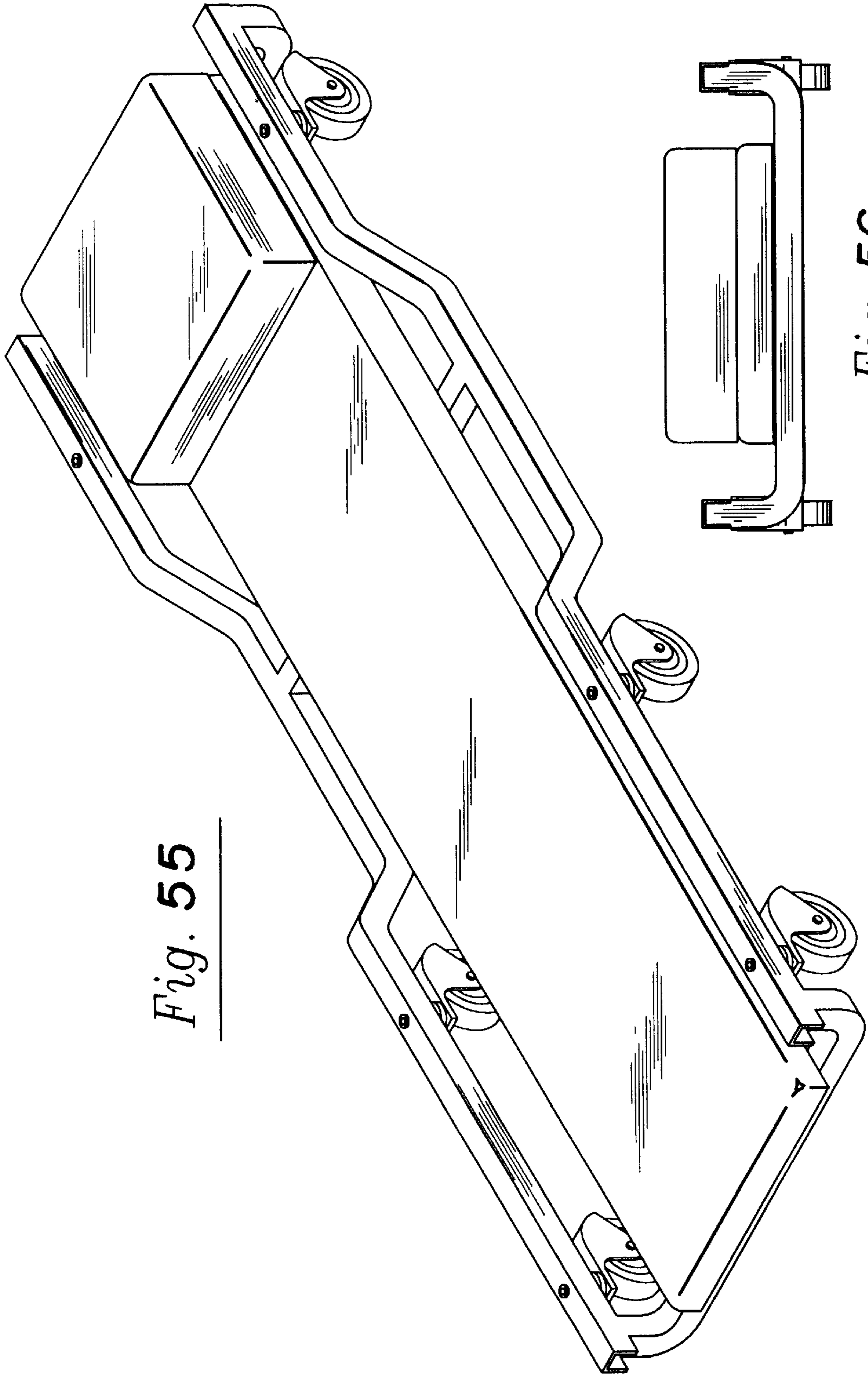


Fig. 55

Fig. 56

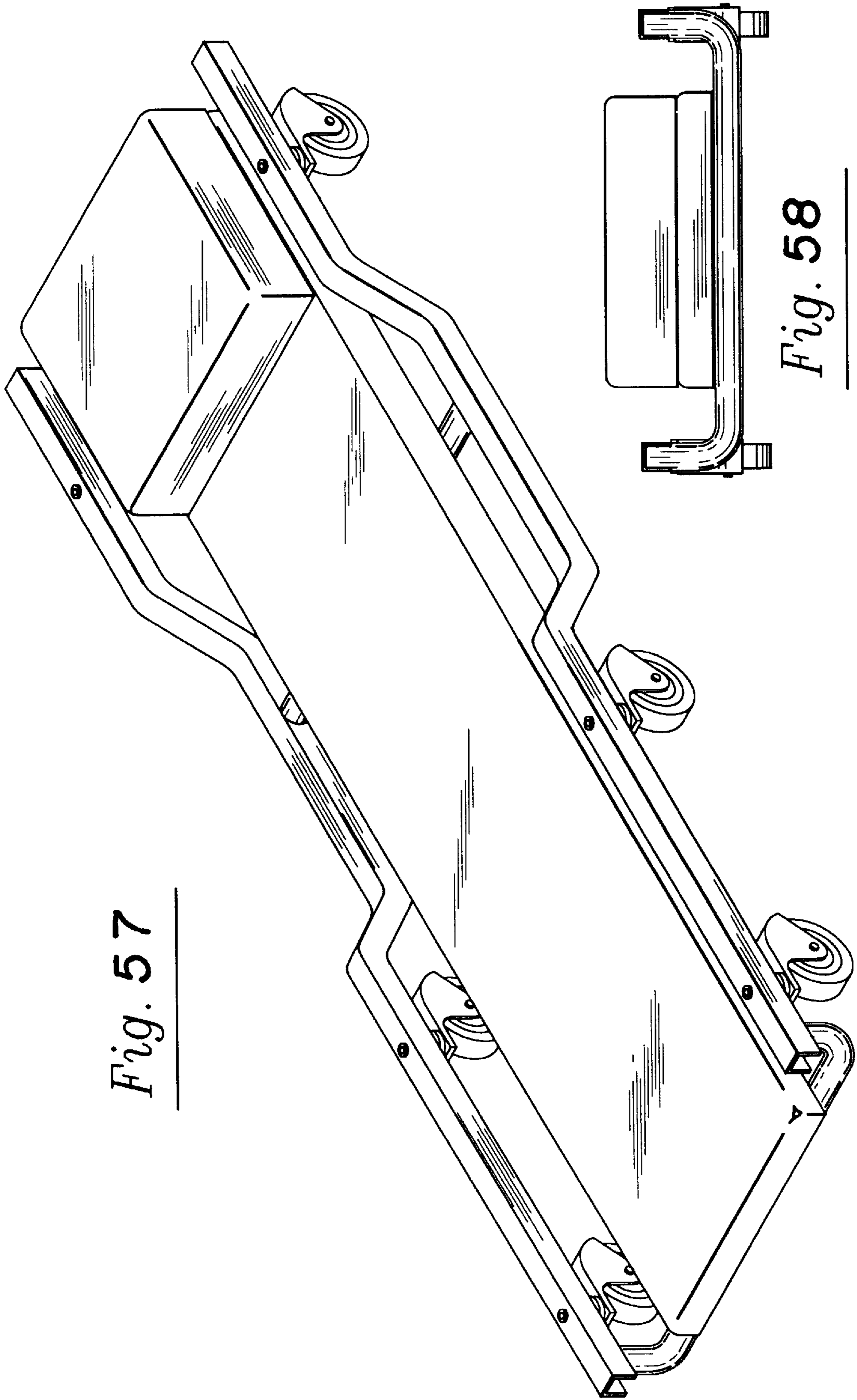


Fig. 57

Fig. 58

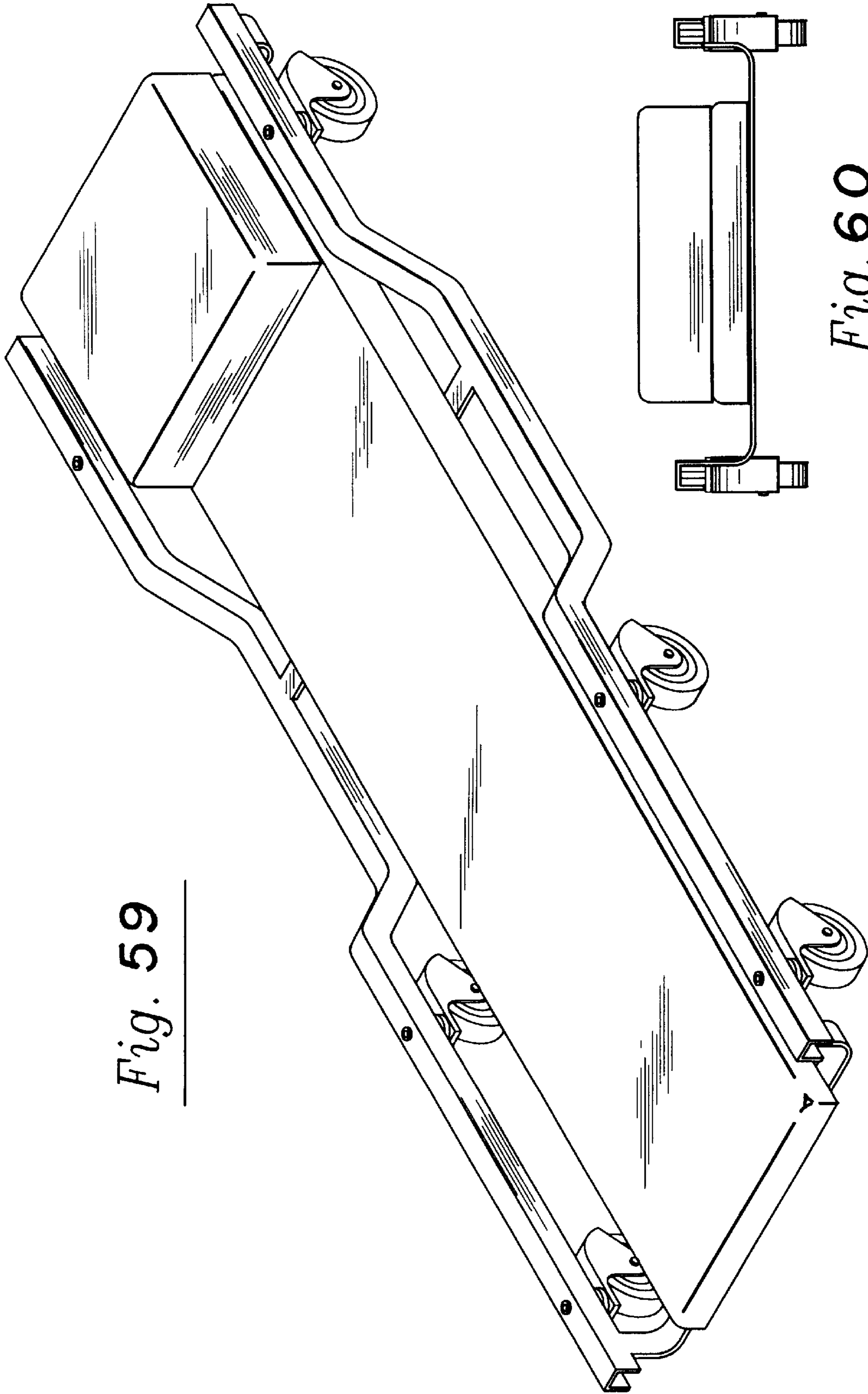


Fig. 59

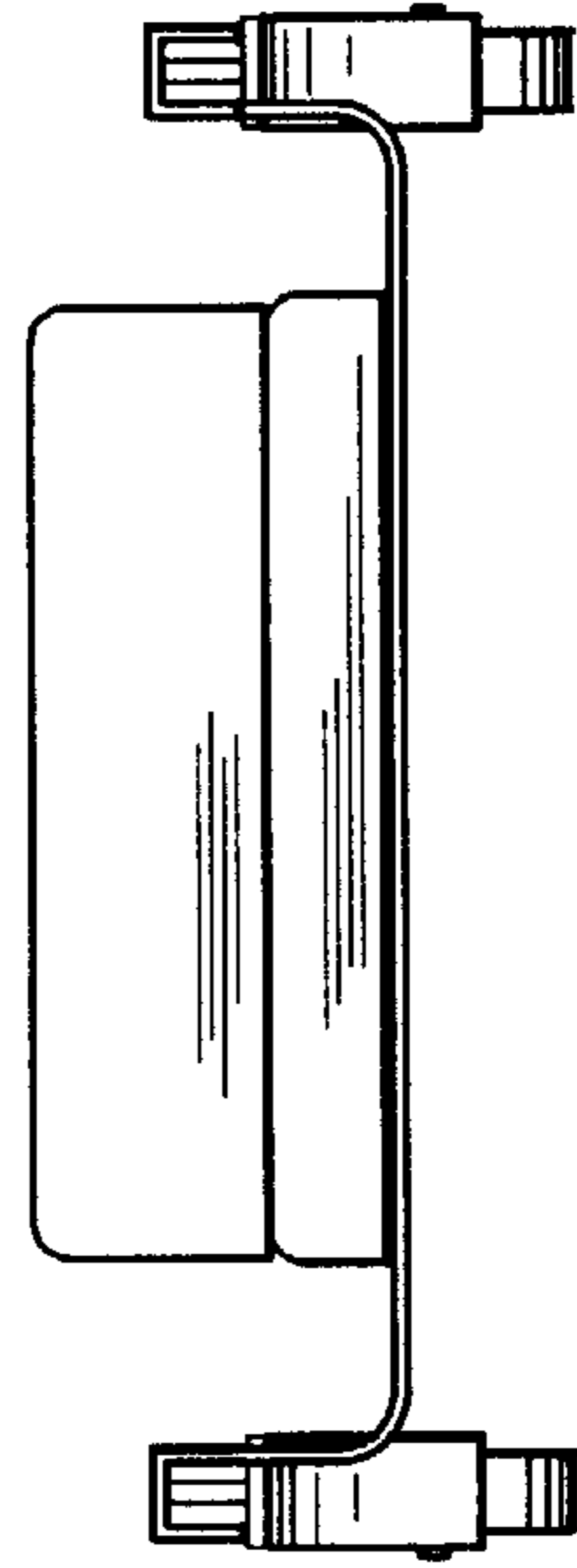


Fig. 60

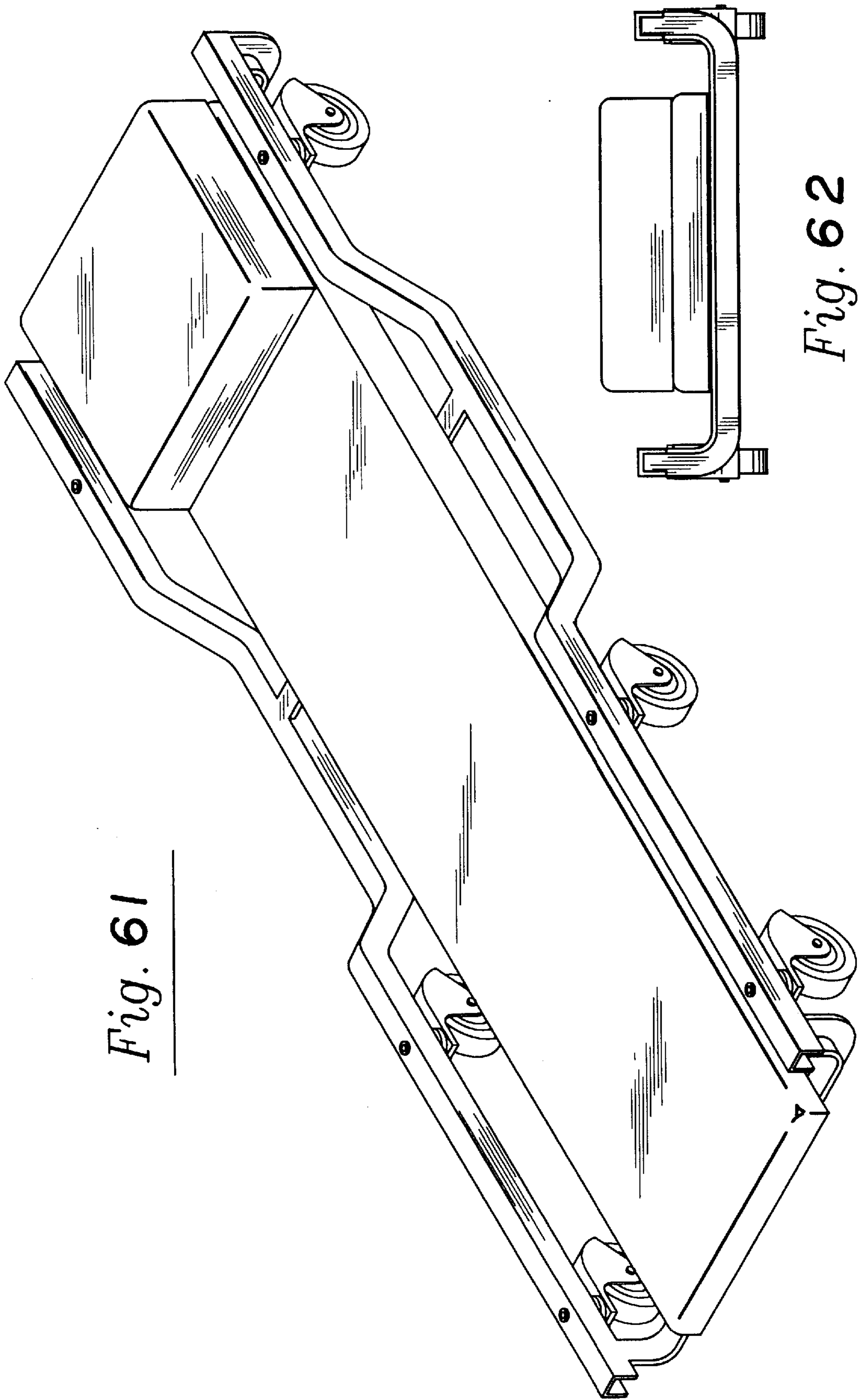


Fig. 61

Fig. 62

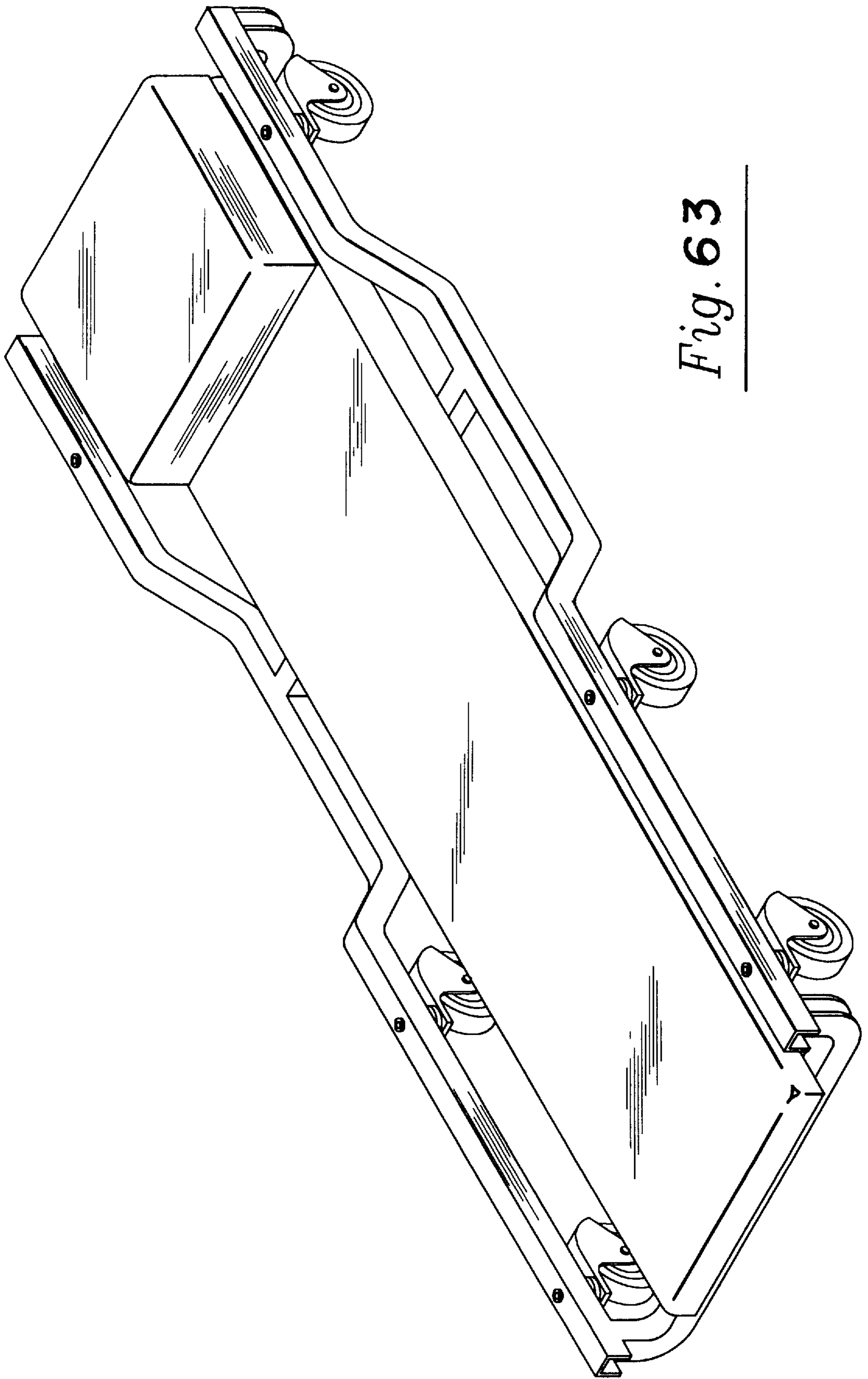


Fig. 63

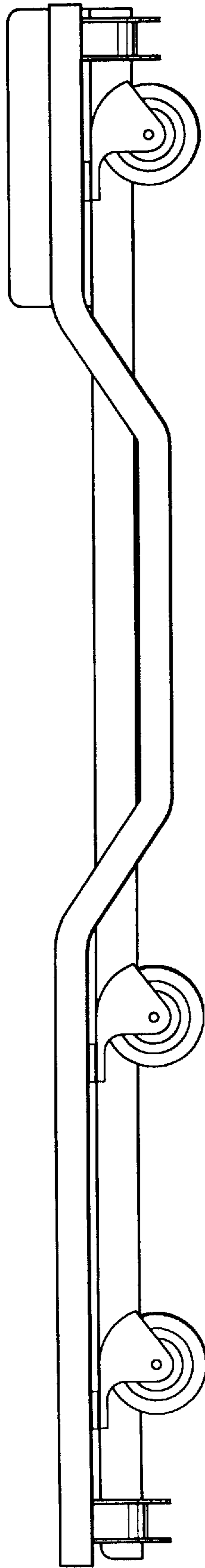


Fig. 64

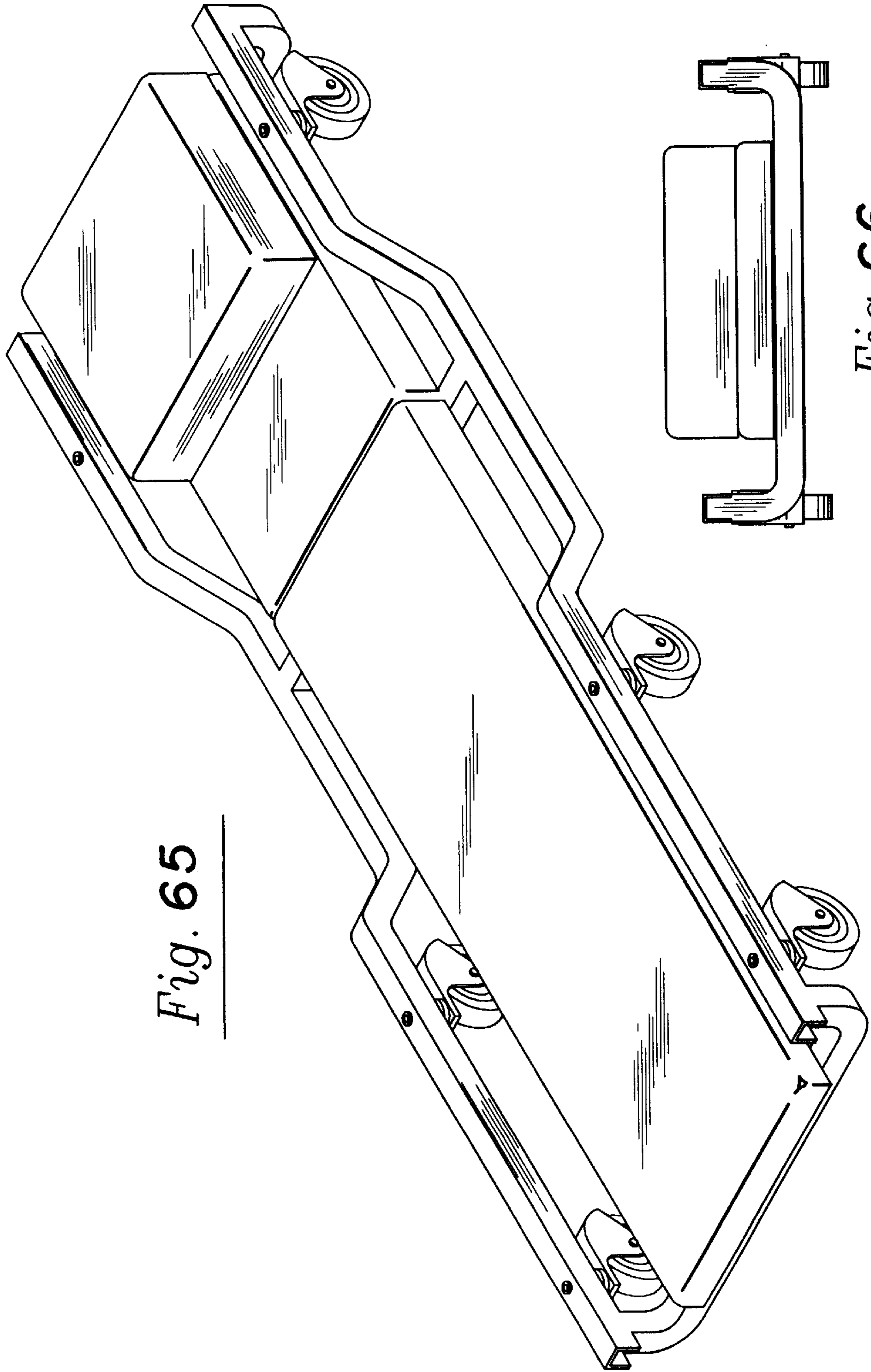


Fig. 65

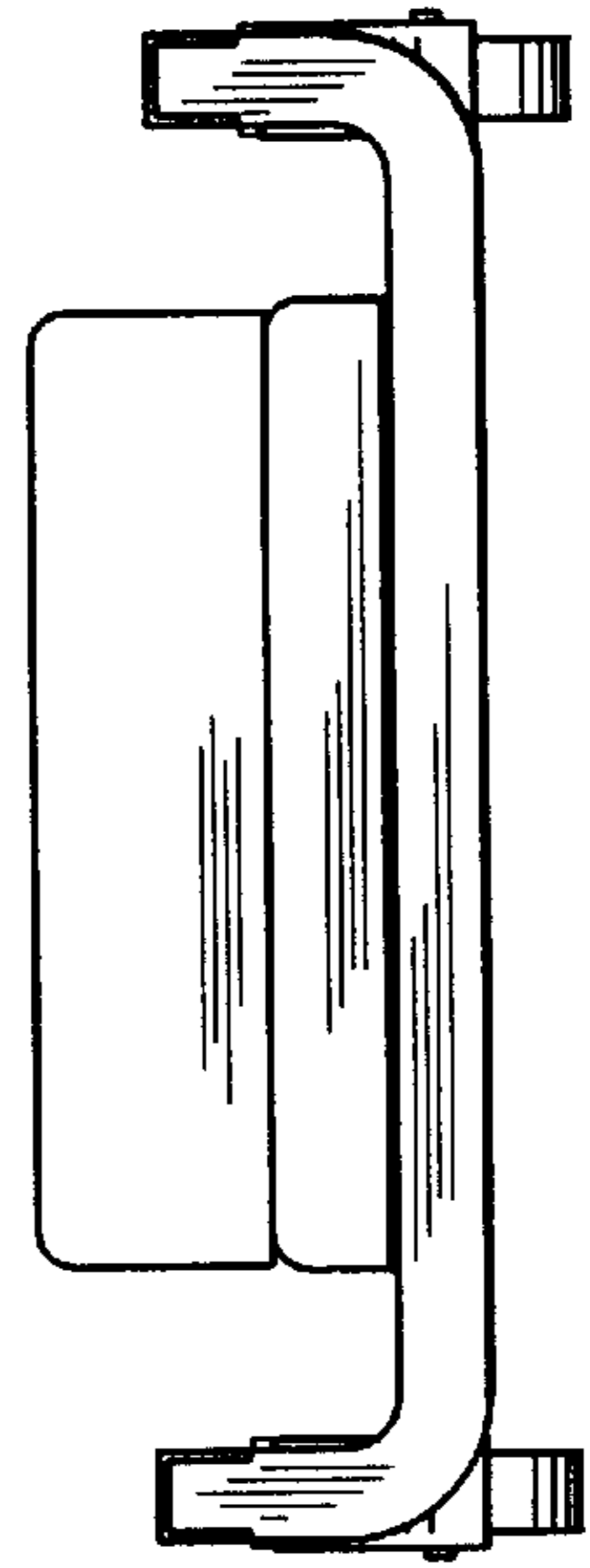


Fig. 66

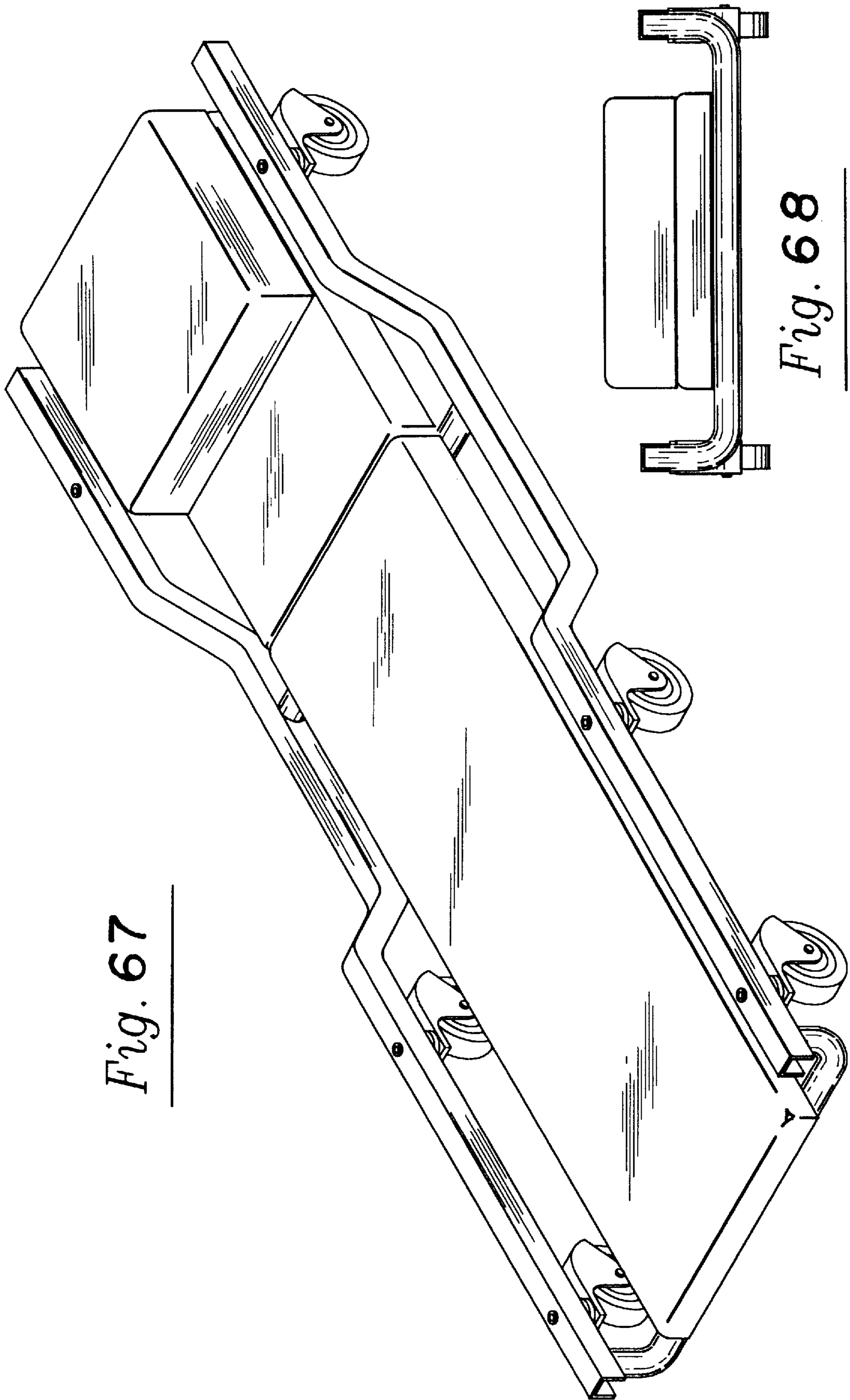


Fig. 67



Fig. 68

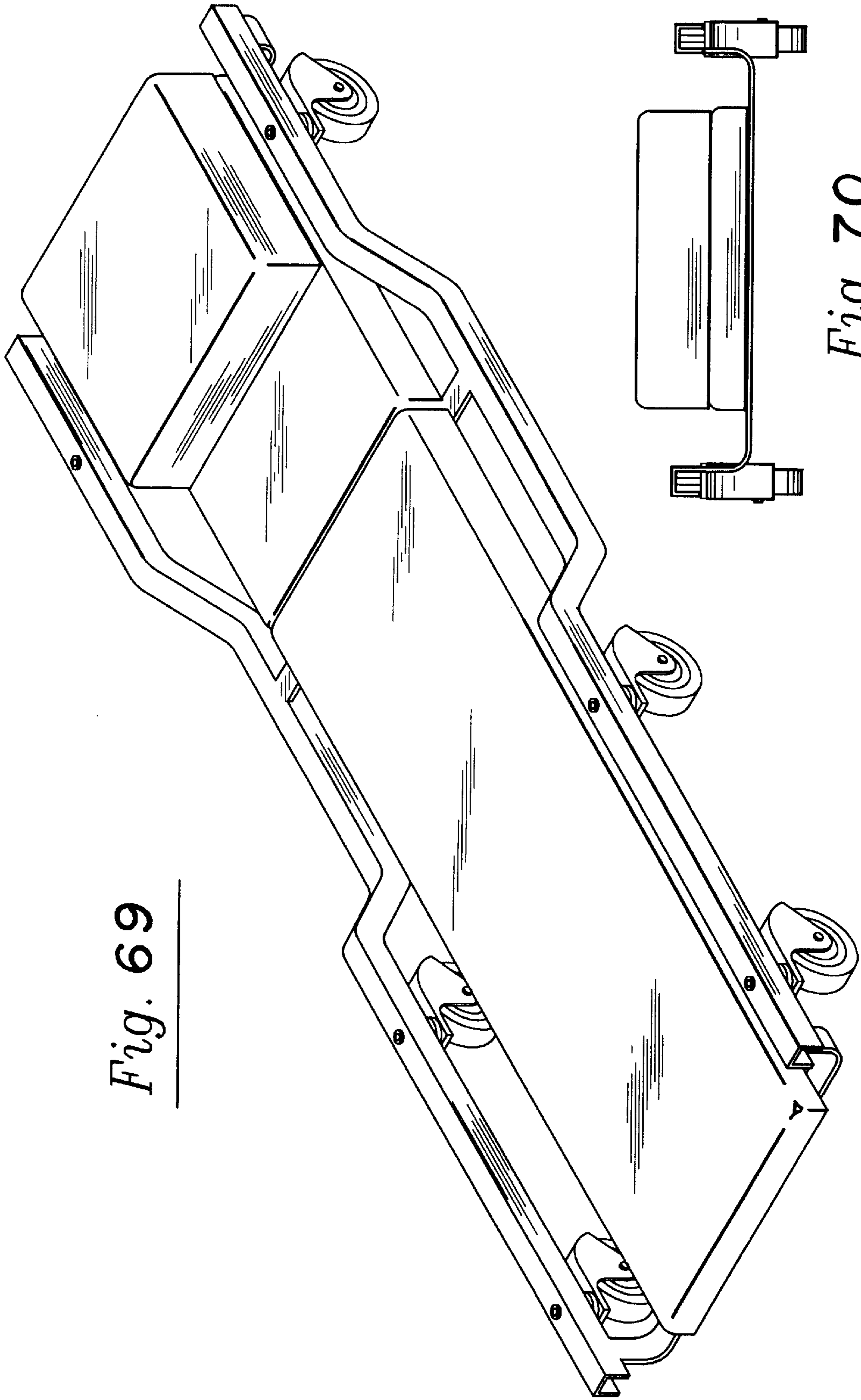


Fig. 69

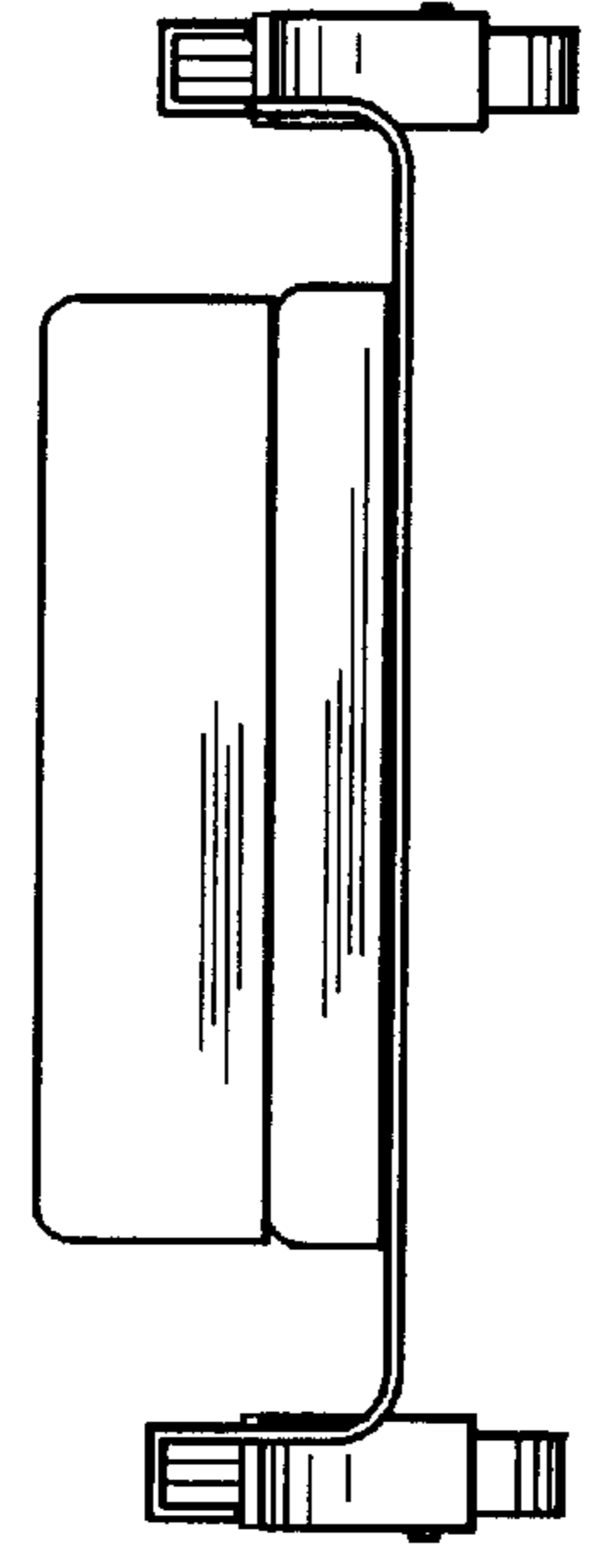


Fig. 70

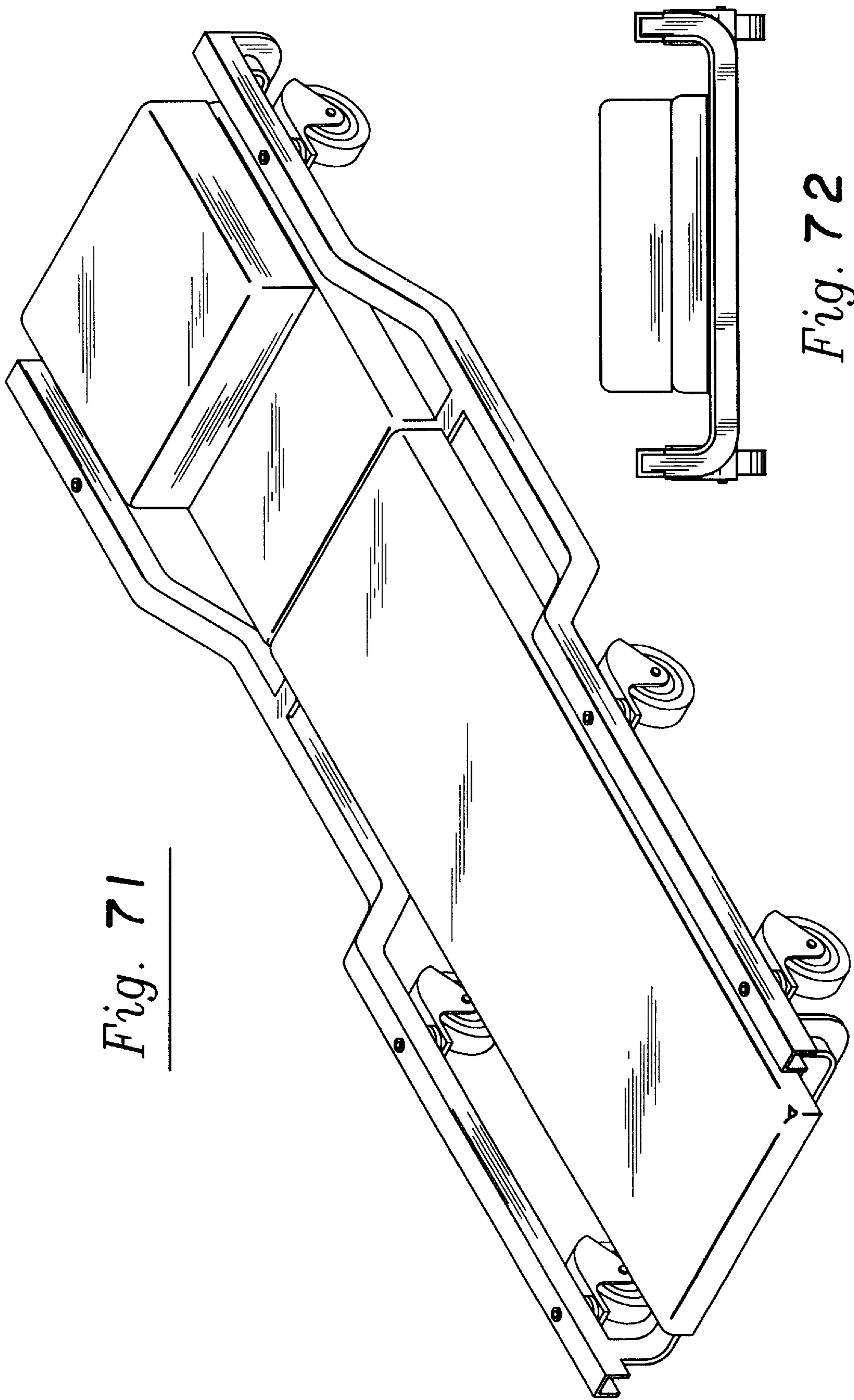


Fig. 71

Fig. 72

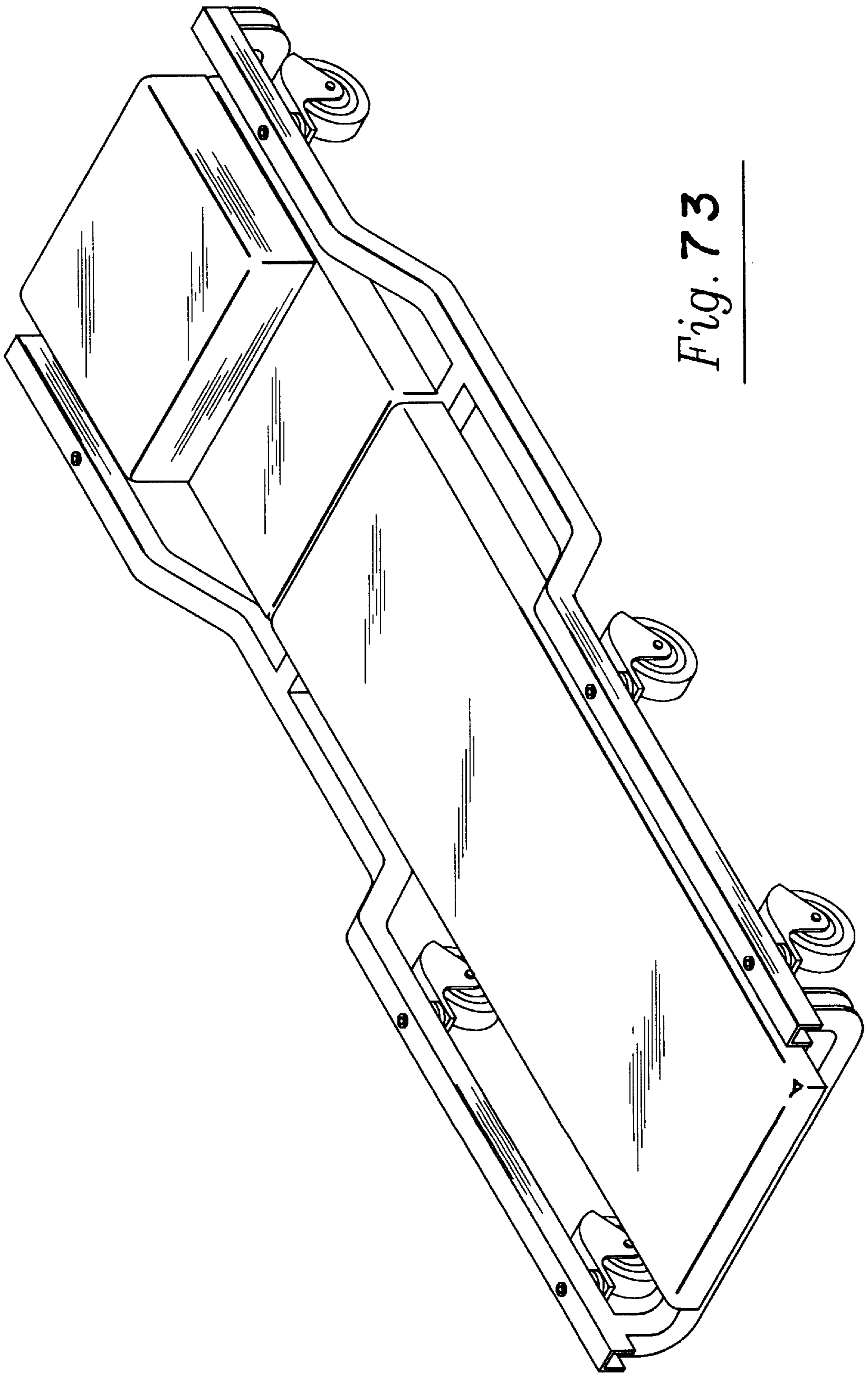


Fig. 73