



US00D406431S

United States Patent [19]

[11] Patent Number: **Des. 406,431**

Tisbo et al.

[45] Date of Patent: ****Mar. 2, 1999**

[54] **PORTABLE WORK CENTER**

[75] Inventors: **Thomas A. Tisbo**, Barrington Hills;
Torrence C. Anderson; **Michael R. Vogler**, both of Aurora, all of Ill.

[73] Assignee: **Suncast Corporation**, Batavia, Ill.

[**] Term: **14 Years**

[21] Appl. No.: **91,088**

[22] Filed: **Jul. 22, 1998**

[51] **LOC (6) Cl.** **12-02**

[52] **U.S. Cl.** **D34/20**; D6/481; D34/25

[58] **Field of Search** D34/12-27; 26/480,
26/481, 399, 438, 445; 211/59.1, 195; 312/71,
116, 140.1

Gardener's Eden, Summer 1996 Catalog, Advertisement for Work Bench, 1 page.

Gardener's Eden, Summer 1996 Catalog, Advertisement for Picket Fence Work Bench, 1 page.

Gardener's Supply Company Catalog, Spring 1996, Advertisement for Cedar Potting Bench, 3 pages.

Primary Examiner—Kay H. Chin
Attorney, Agent, or Firm—Welsh & Katz, Ltd.

[57] **CLAIM**

The ornamental design for a portable work center, as shown and described.

DESCRIPTION

FIG. 1 is a front perspective view of a portable work center showing our new design;

FIG. 2 is a top plan view thereof;

FIG. 3 is a bottom plan view thereof;

FIG. 4 is a front elevational view thereof;

FIG. 5 is a right side elevational view thereof;

FIG. 6 is a left side elevational view thereof;

FIG. 7 is a rear elevational view thereof;

FIG. 8 is a rear perspective view thereof; and,

FIG. 9 is a front perspective view thereof with the front door partially opened.

[56] **References Cited**

U.S. PATENT DOCUMENTS

D. 173,321	10/1954	Oakes et al.	D34/20
D. 234,078	1/1975	Emanuele	D34/20
D. 326,024	5/1992	Boyd et al.	D6/480
D. 341,458	11/1993	Carroll	D34/20
D. 358,693	5/1995	Burgess et al.	D34/19
D. 361,910	9/1995	Maple et al.	D6/445

OTHER PUBLICATIONS

The Barbeque Store, Advertisement for BBQ Kargo Kart, 1 page, © 1996-1997.

Rubbermaid, Advertisement for Heavy Duty Work Bench, 1 page (Obtain from Rubbermaid Inc. WebSite) © 1998.

1 Claim, 8 Drawing Sheets

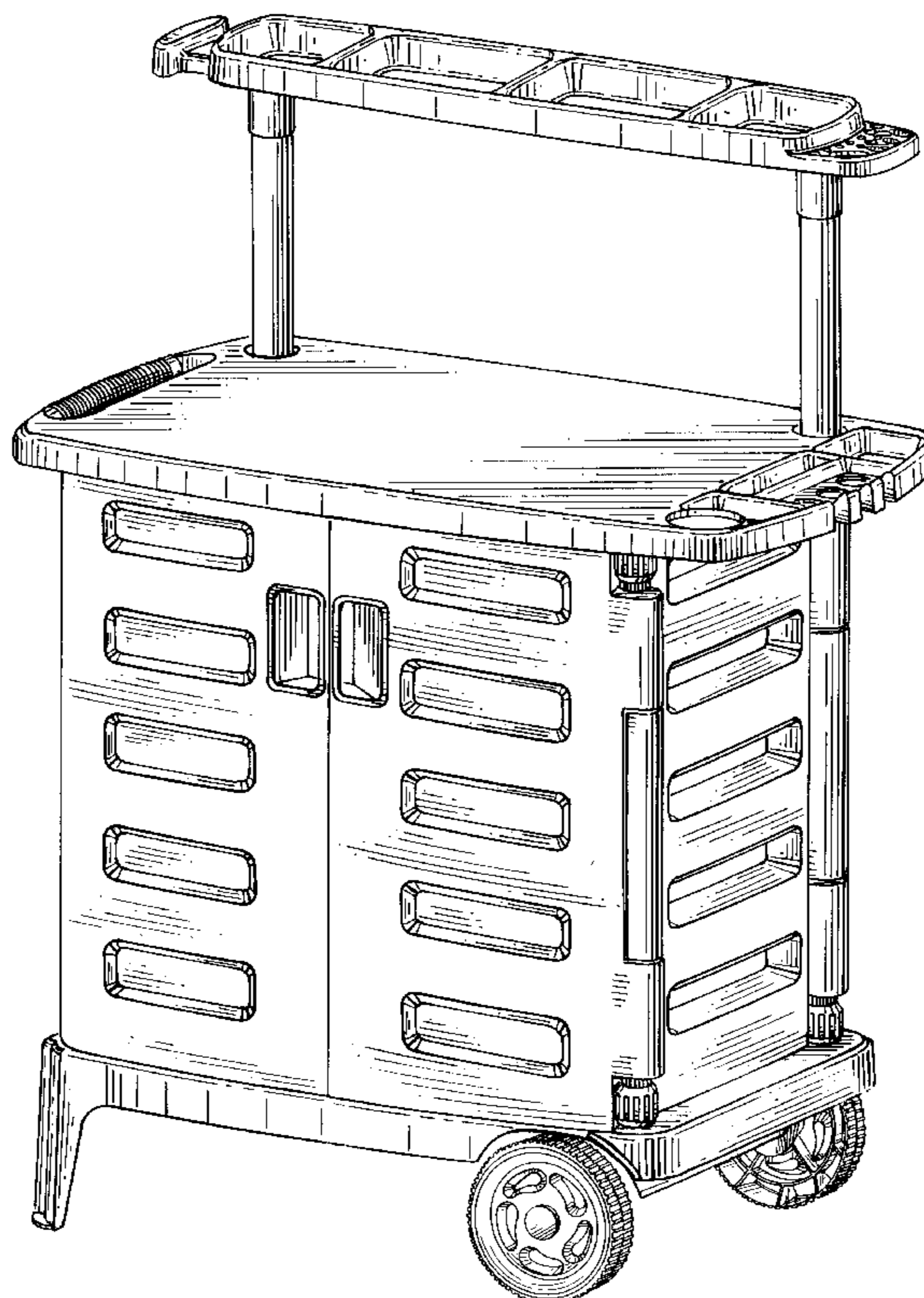


FIG. 1

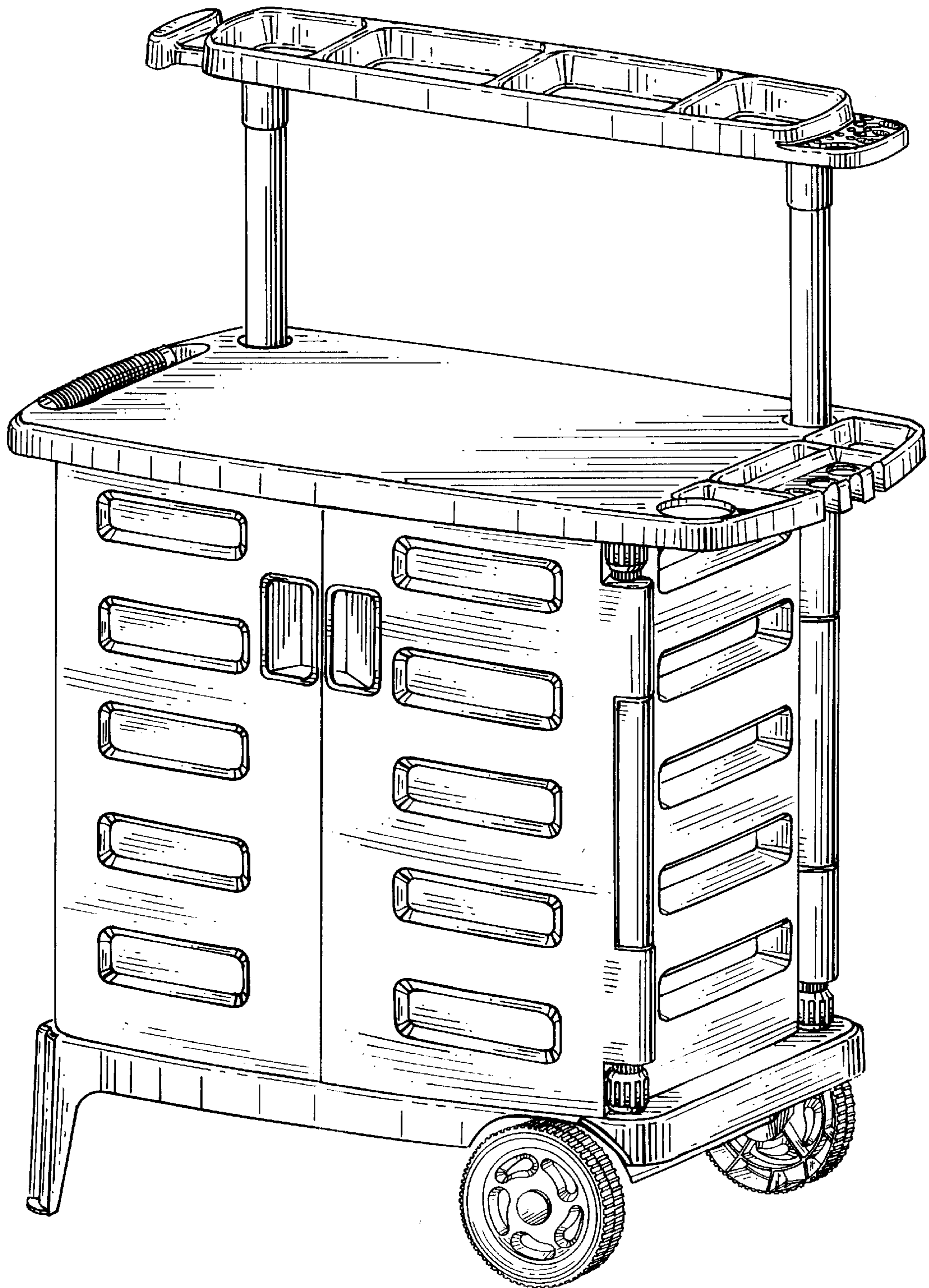


FIG. 2

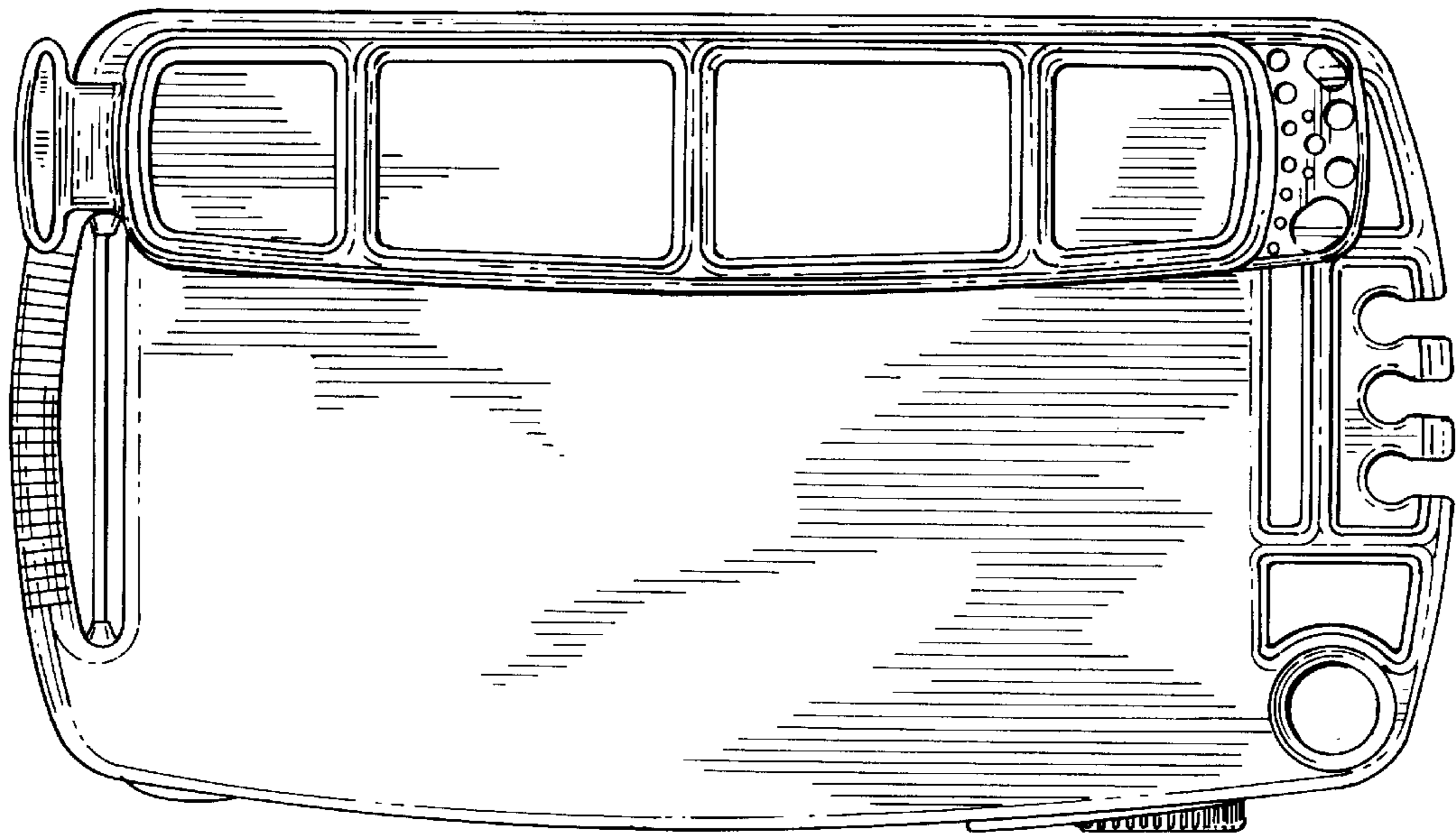


FIG. 3

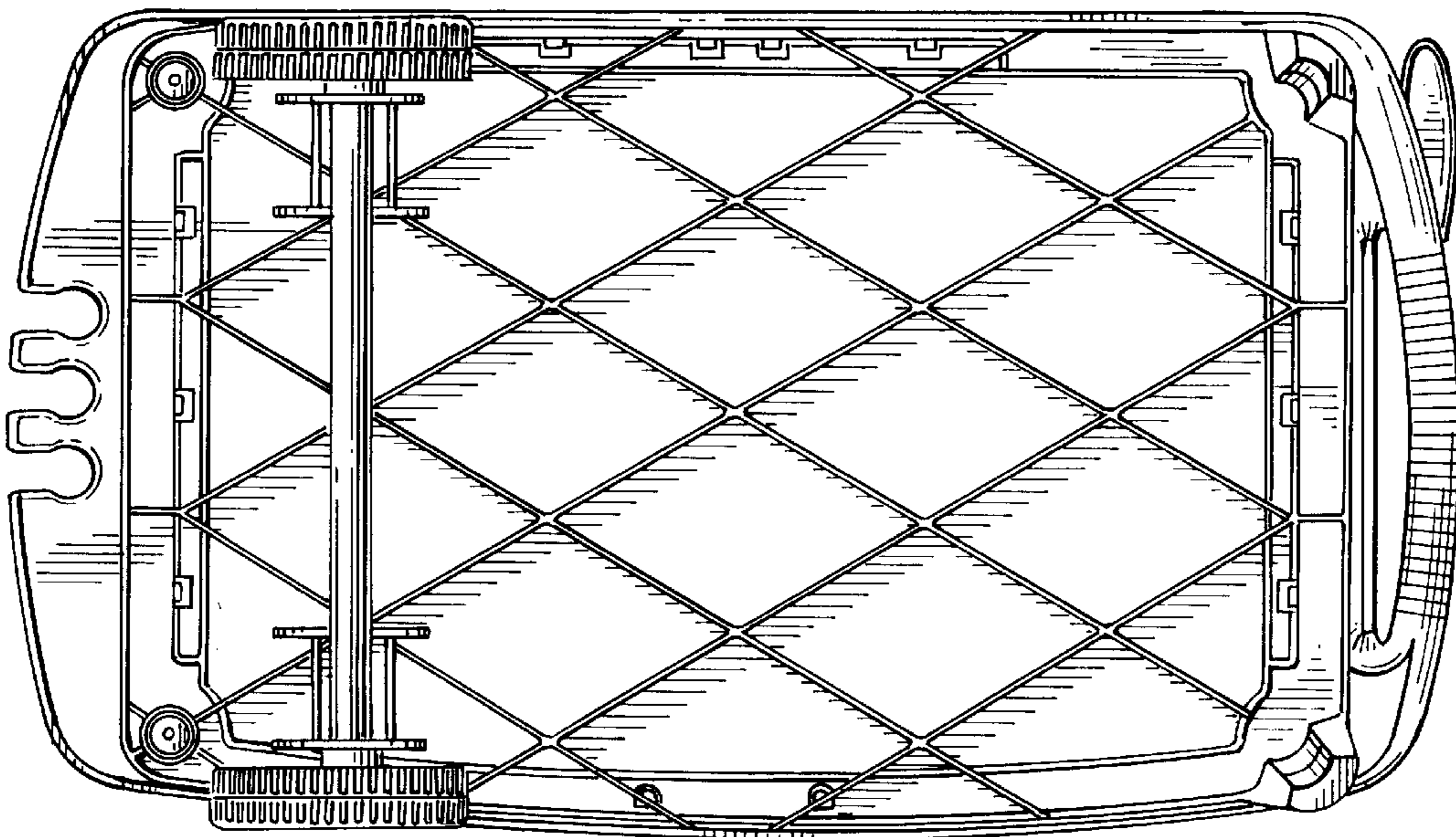


FIG. 4

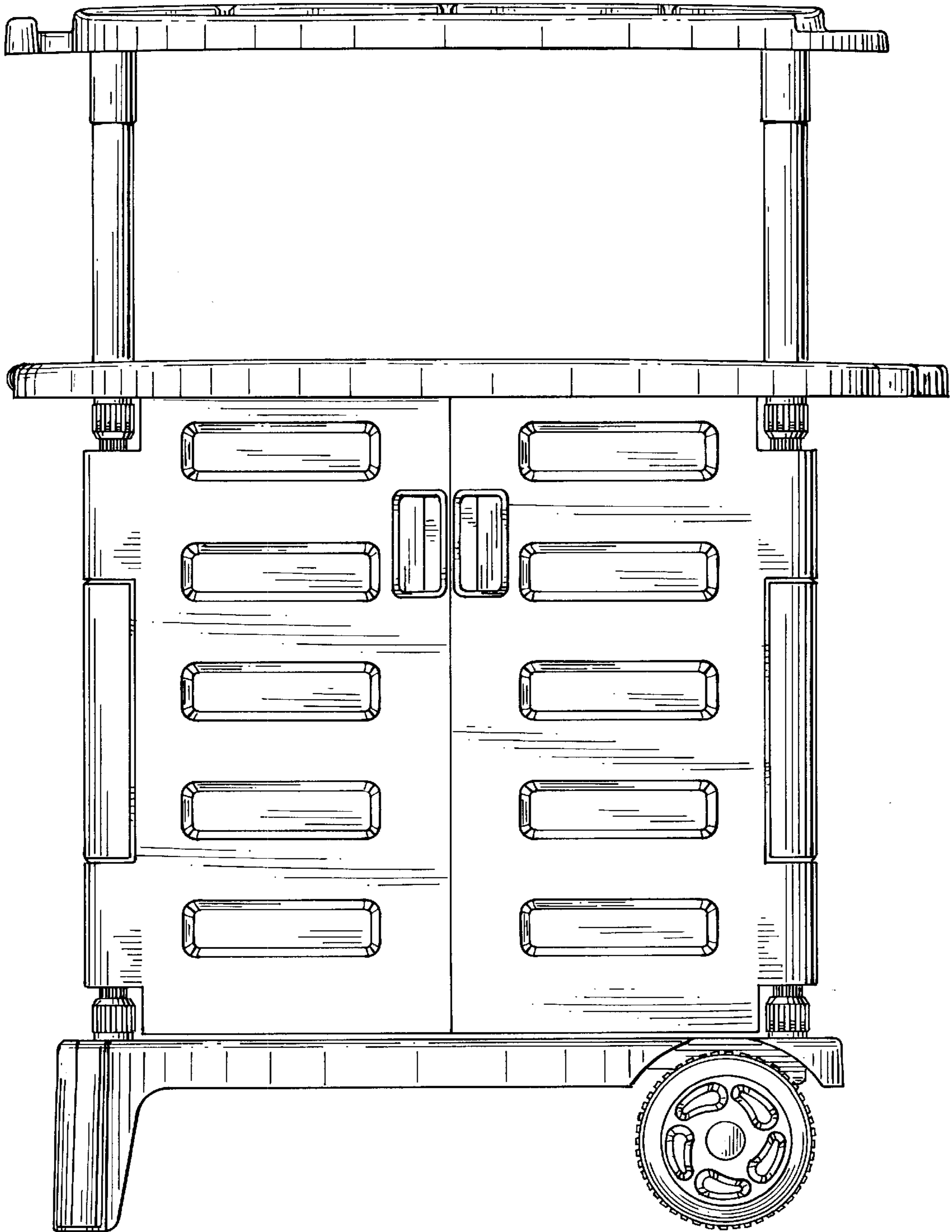
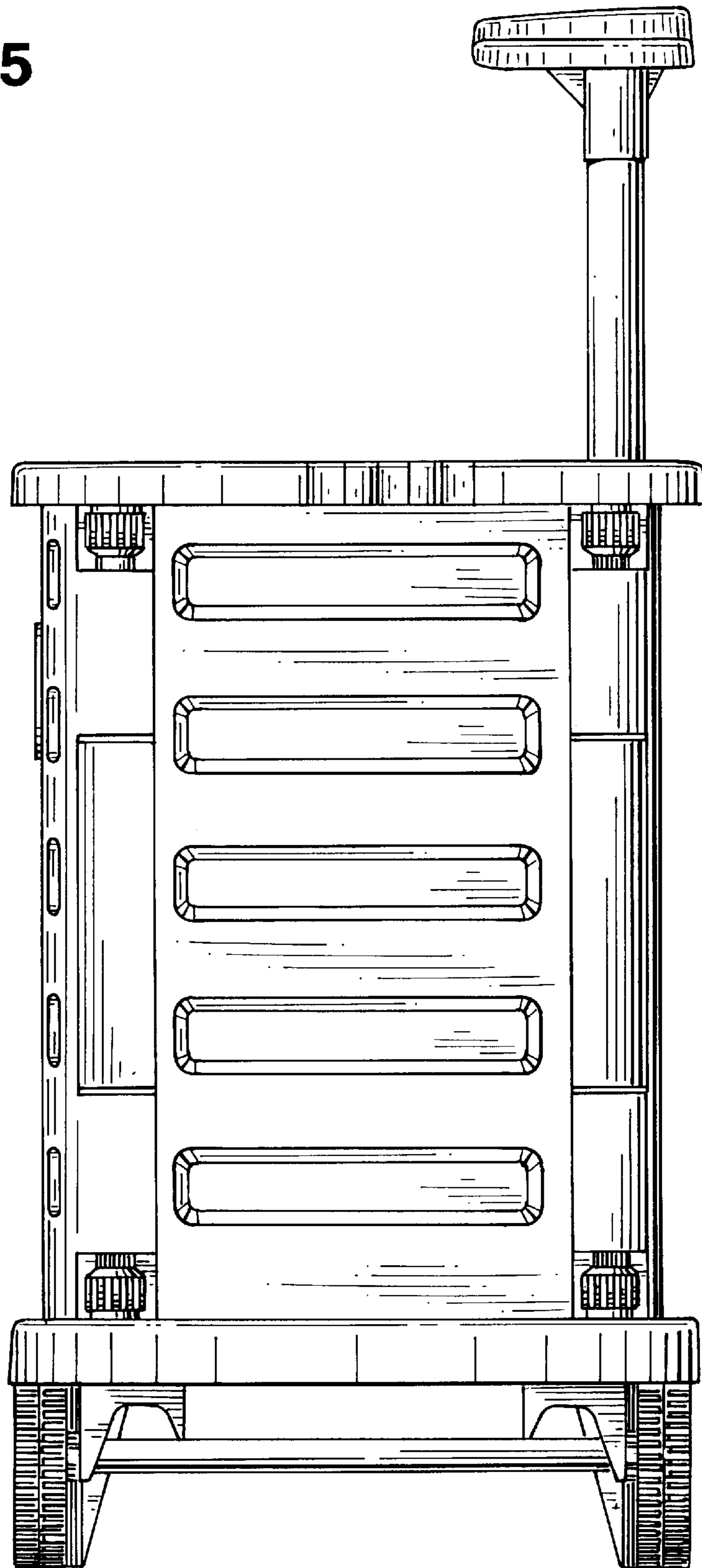


FIG. 5



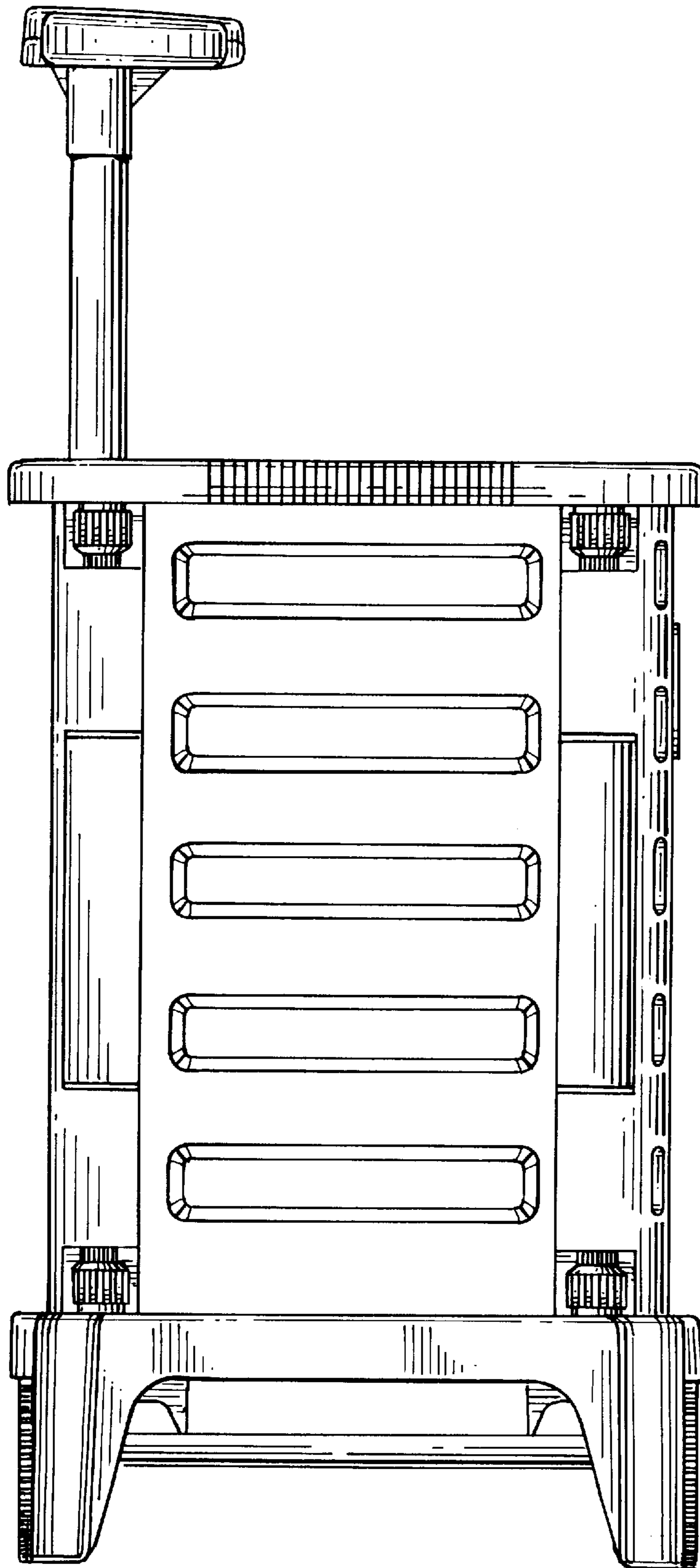


FIG. 6

FIG. 7

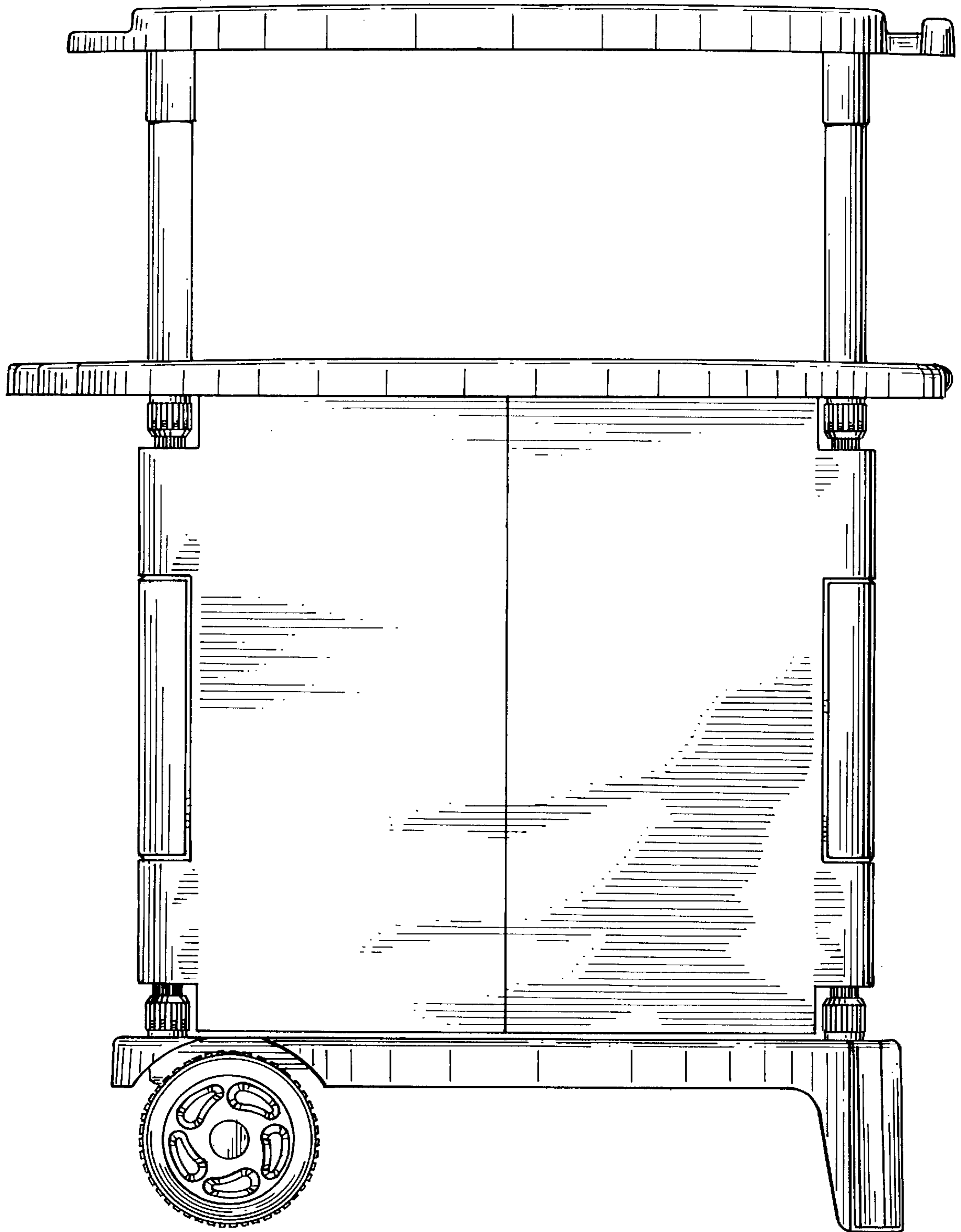


FIG. 8

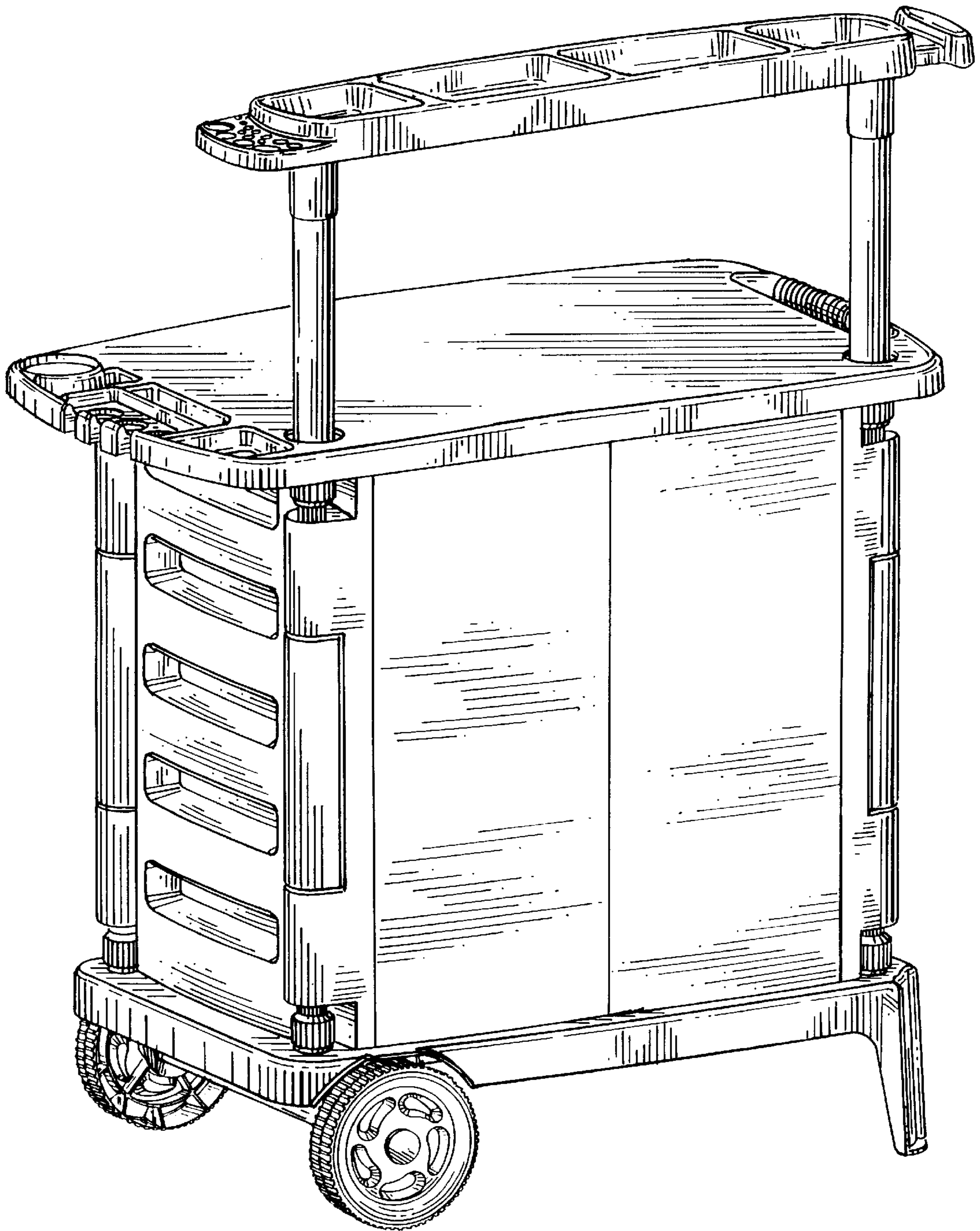


FIG. 9

