



US00D406430S

United States Patent [19] Ross

[11] **Patent Number: Des. 406,430**

[45] **Date of Patent: **Mar. 2, 1999**

[54] **SHOPPING CART**

[75] Inventor: **Mitch Dean Ross**, Birmingham, Ala.

[73] Assignee: **The Mall Cart, L.L.C.**, Homewood, Ala.

[**] Term: **14 Years**

[21] Appl. No.: **80,035**

[22] Filed: **Nov. 26, 1997**

[51] **LOC (6) Cl.** **12-02**

[52] **U.S. Cl.** **D34/19; D34/17**

[58] **Field of Search** **D34/12-27; 280/30, 280/641, 639, 47.34, 47.35, 33.991-33.997**

[56] **References Cited**

U.S. PATENT DOCUMENTS

D. 366,546	1/1996	Schaub et al.	D34/20
D. 367,347	2/1996	Moundrianakis	D34/17
3,118,684	1/1964	Kappen	280/33.991
4,165,088	8/1979	Nelson	280/47.35
4,763,907	8/1988	Raymond	280/47.35
4,796,909	1/1989	Kirkendall .	
4,826,186	5/1989	Hagelin	280/33.994
4,850,604	7/1989	Le Marchand et al.	280/33.996

5,141,241	8/1992	Autla	280/47.371
5,149,114	9/1992	Lewandowski et al.	280/33.992
5,203,579	4/1993	Lipschitz	280/33.991
5,662,342	9/1997	Basharat	280/33.997

Primary Examiner—Kay H. Chin
Attorney, Agent, or Firm—Sirote & Permutt

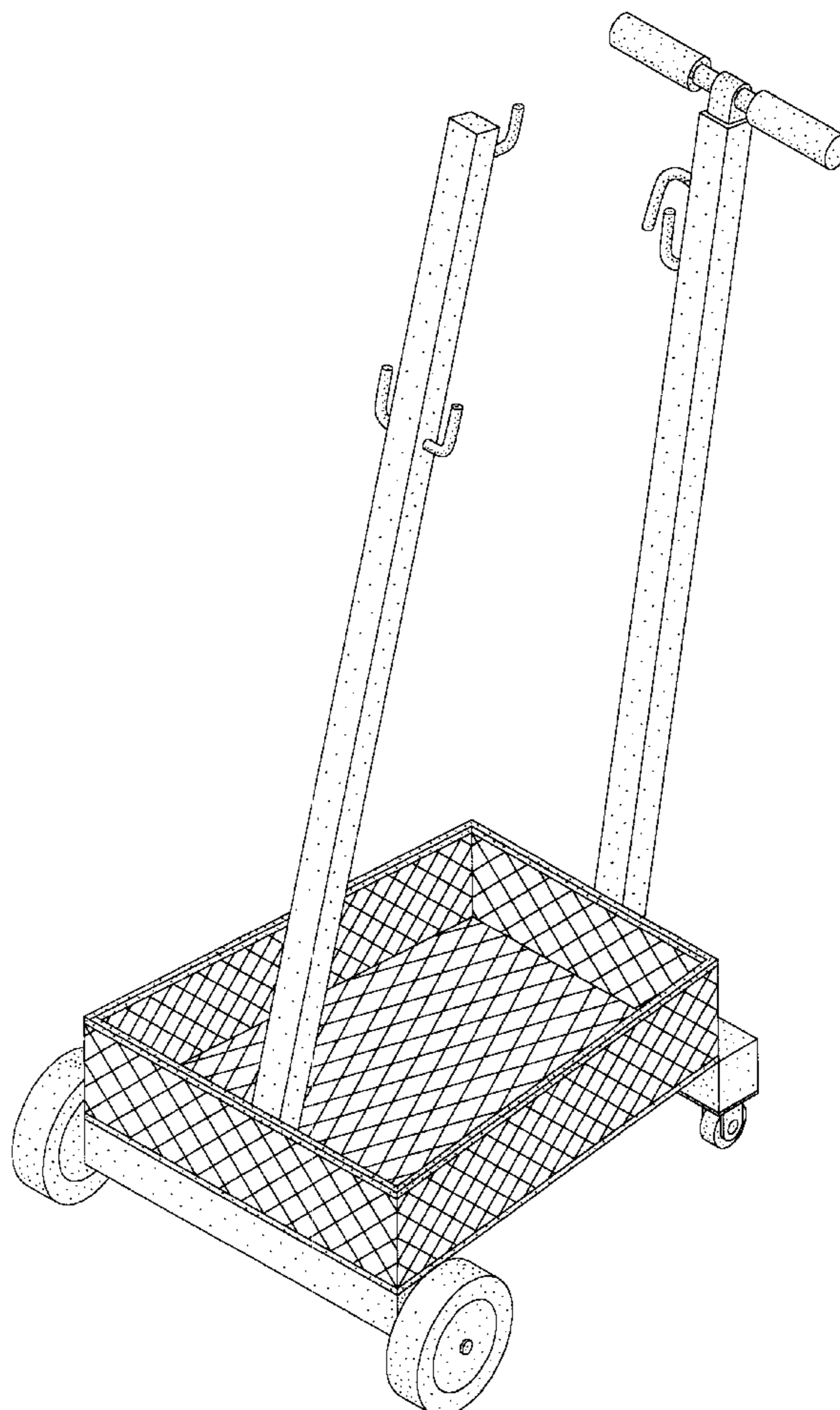
[57] **CLAIM**

The ornamental design for a shopping cart, as shown and described.

DESCRIPTION

FIG. 1 is a perspective view of a shopping cart showing my new design;
FIG. 2 is a side elevational view thereof;
FIG. 3 is a side elevational view of the side opposite that shown in FIG. 2;
FIG. 4 is a front elevational view thereof;
FIG. 5 is a rear elevational view thereof;
FIG. 6 is a top plan view thereof;
FIG. 7 is a bottom view thereof; and,
FIG. 8 is a perspective view of a second embodiment of the shopping cart, the sole difference between the first embodiment being in the different material of storage container.

1 Claim, 6 Drawing Sheets



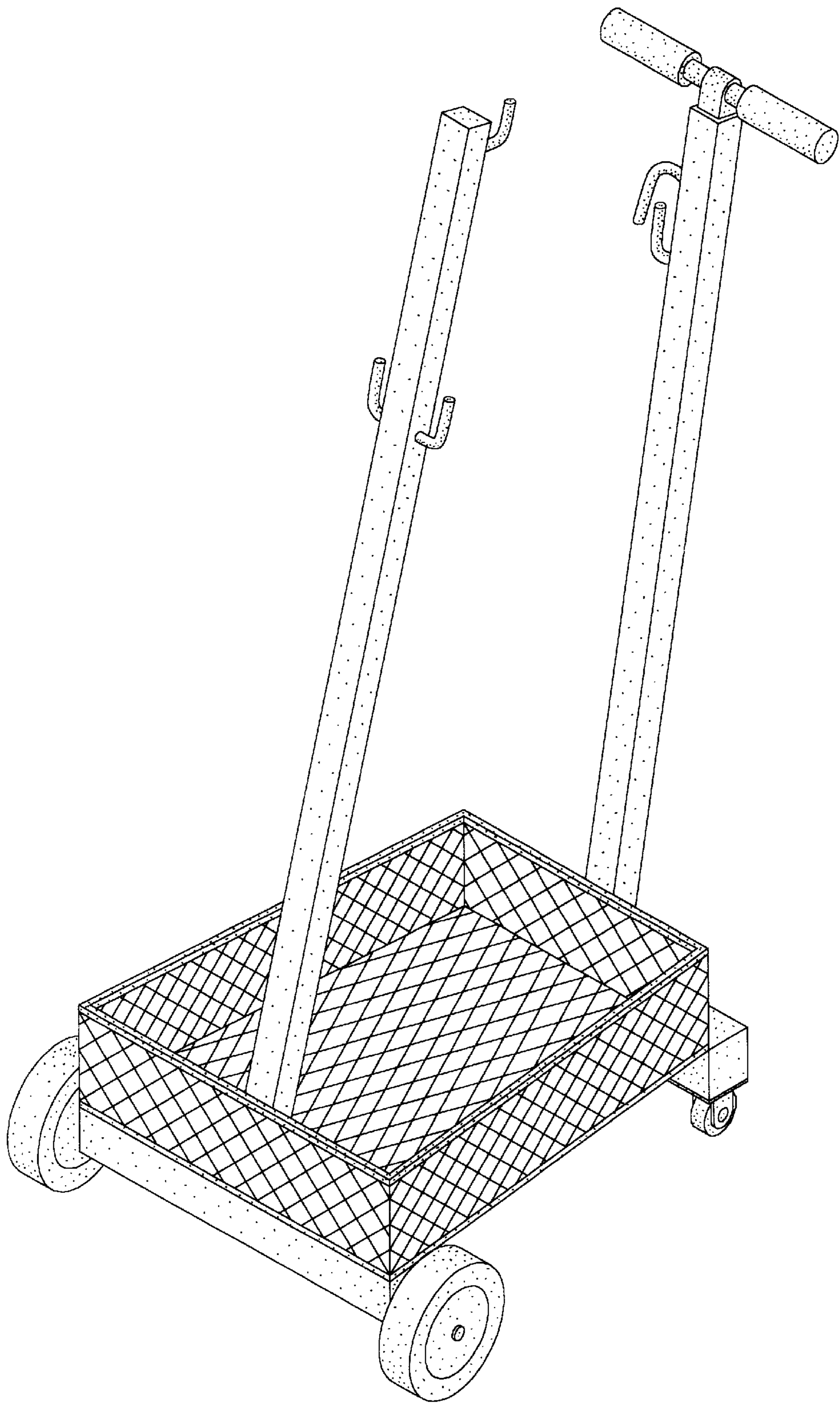


FIG. 1

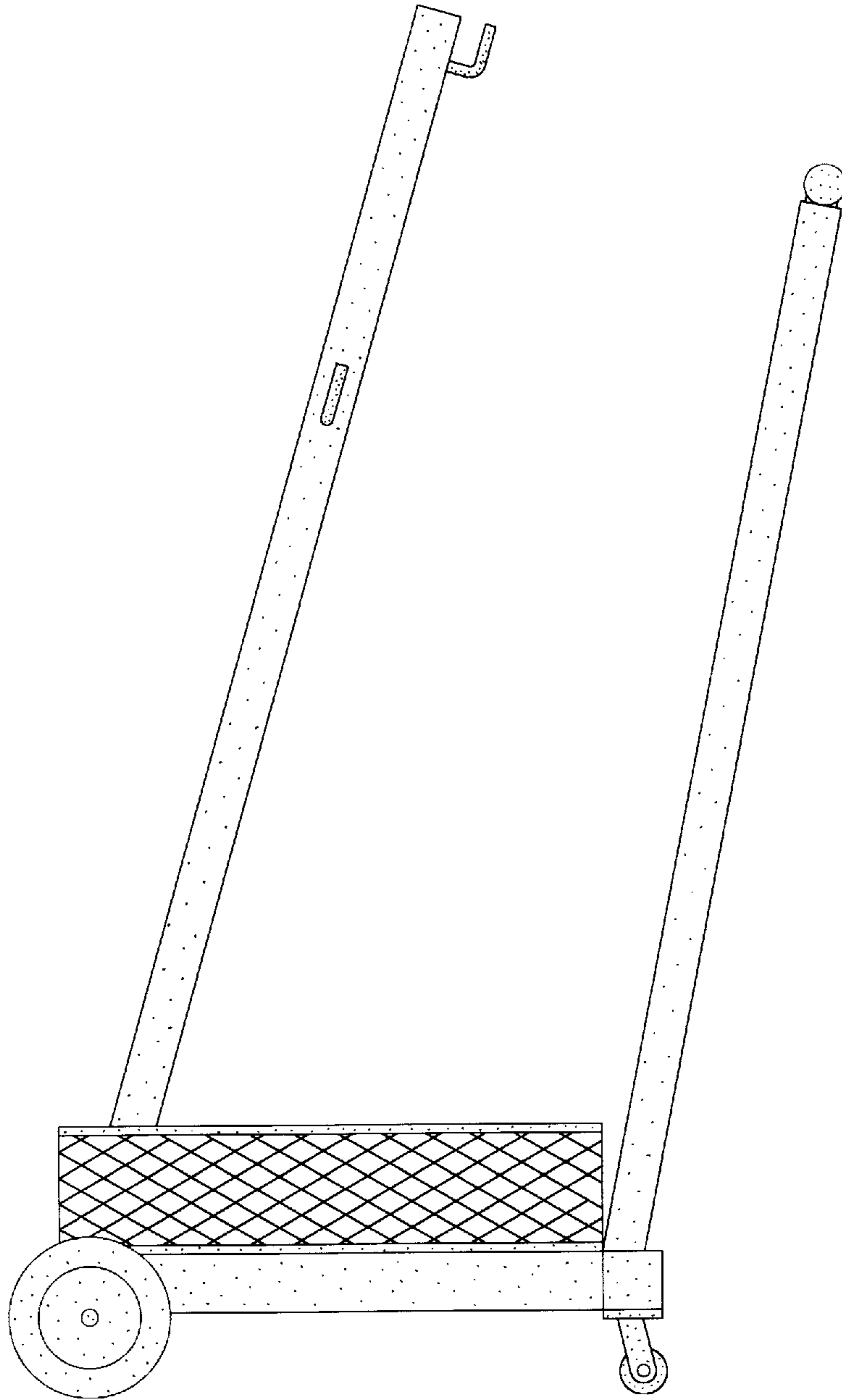


FIG. 2

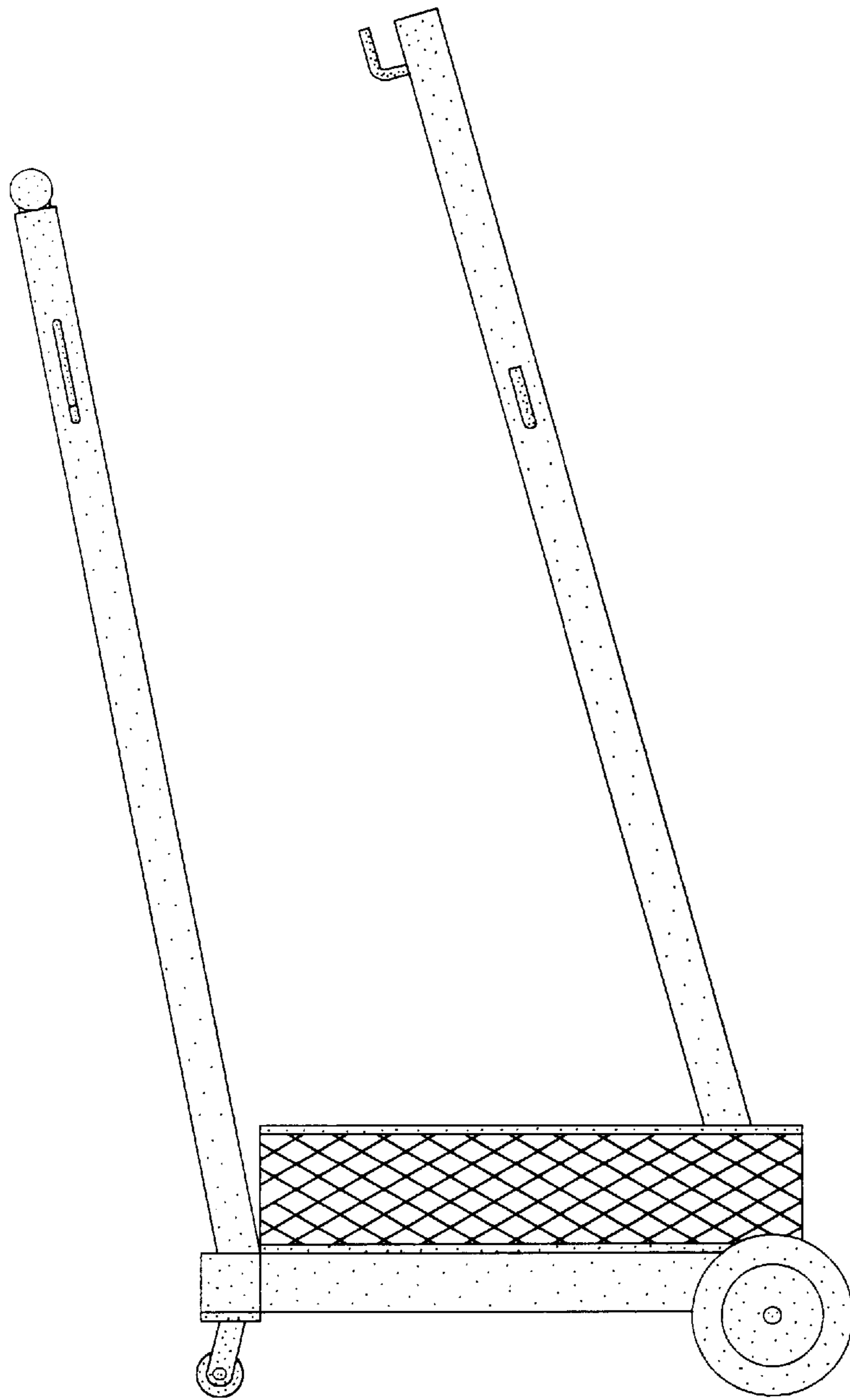


FIG. 3

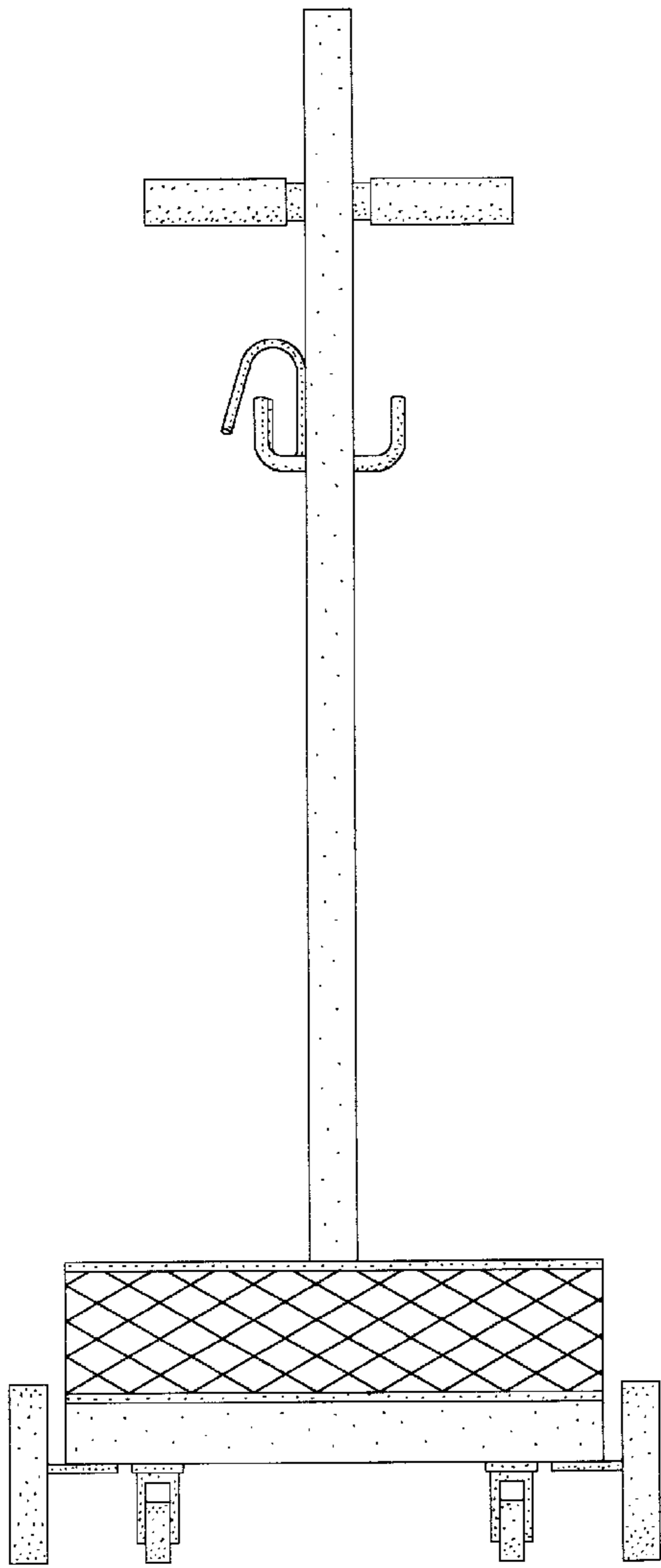


FIG. 4

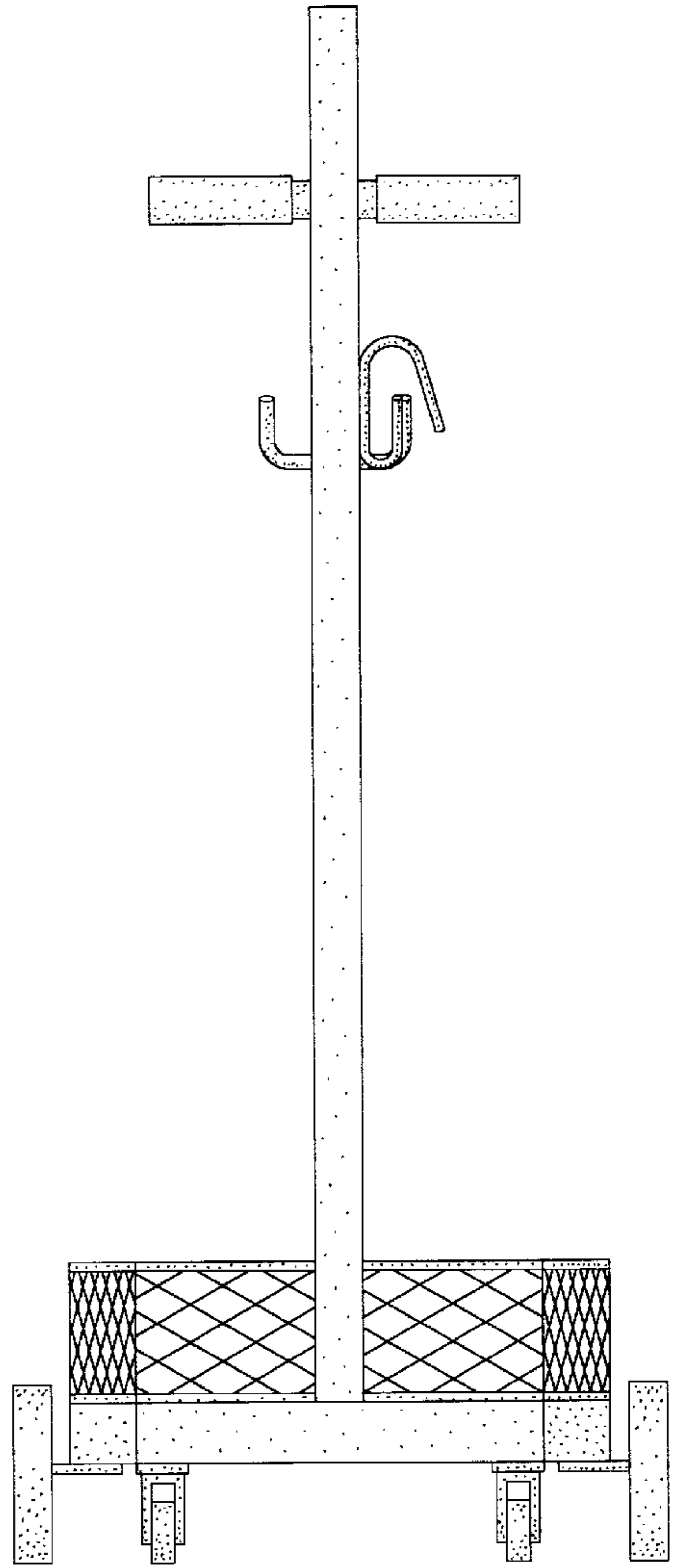


FIG. 5

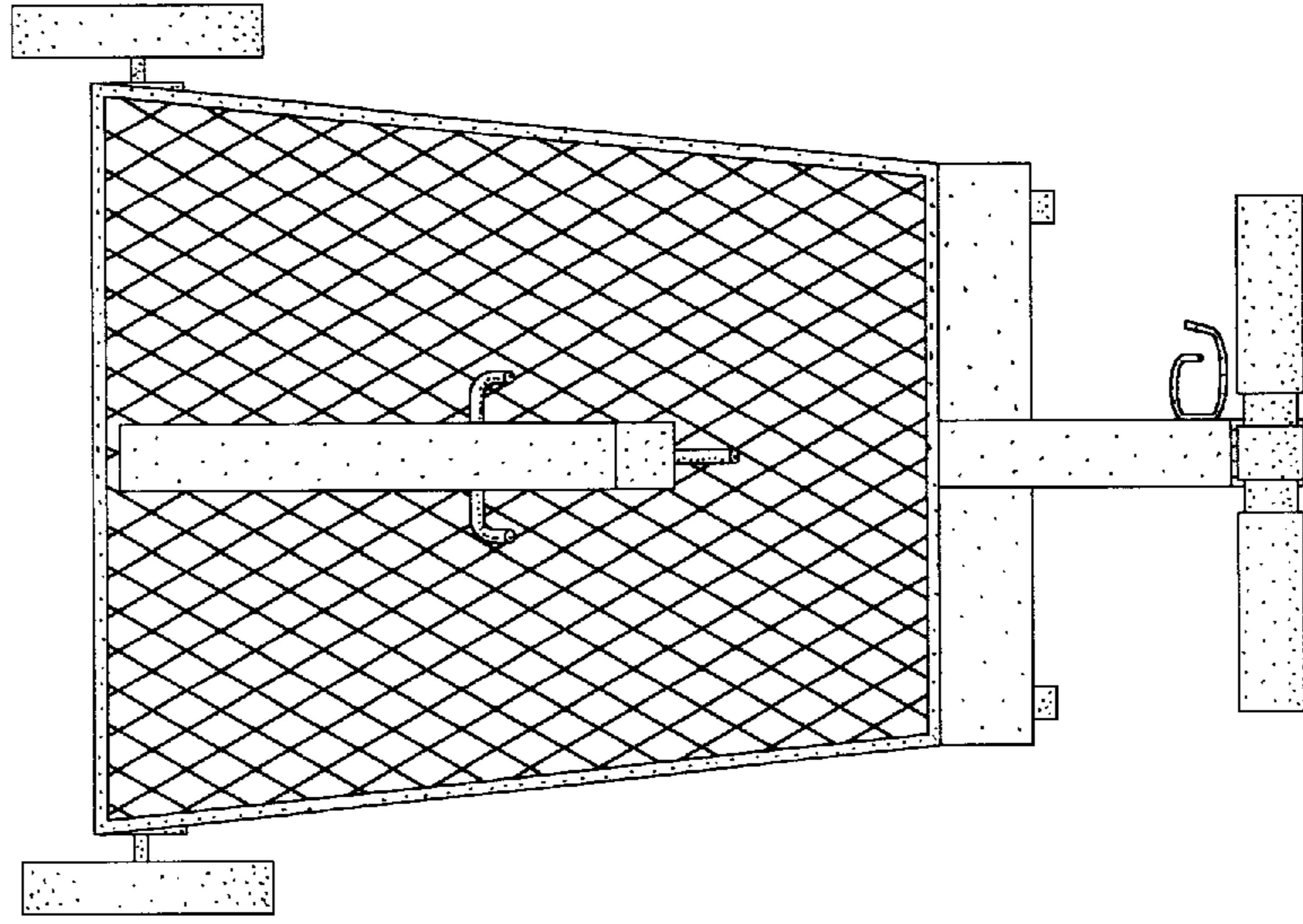


FIG. 6

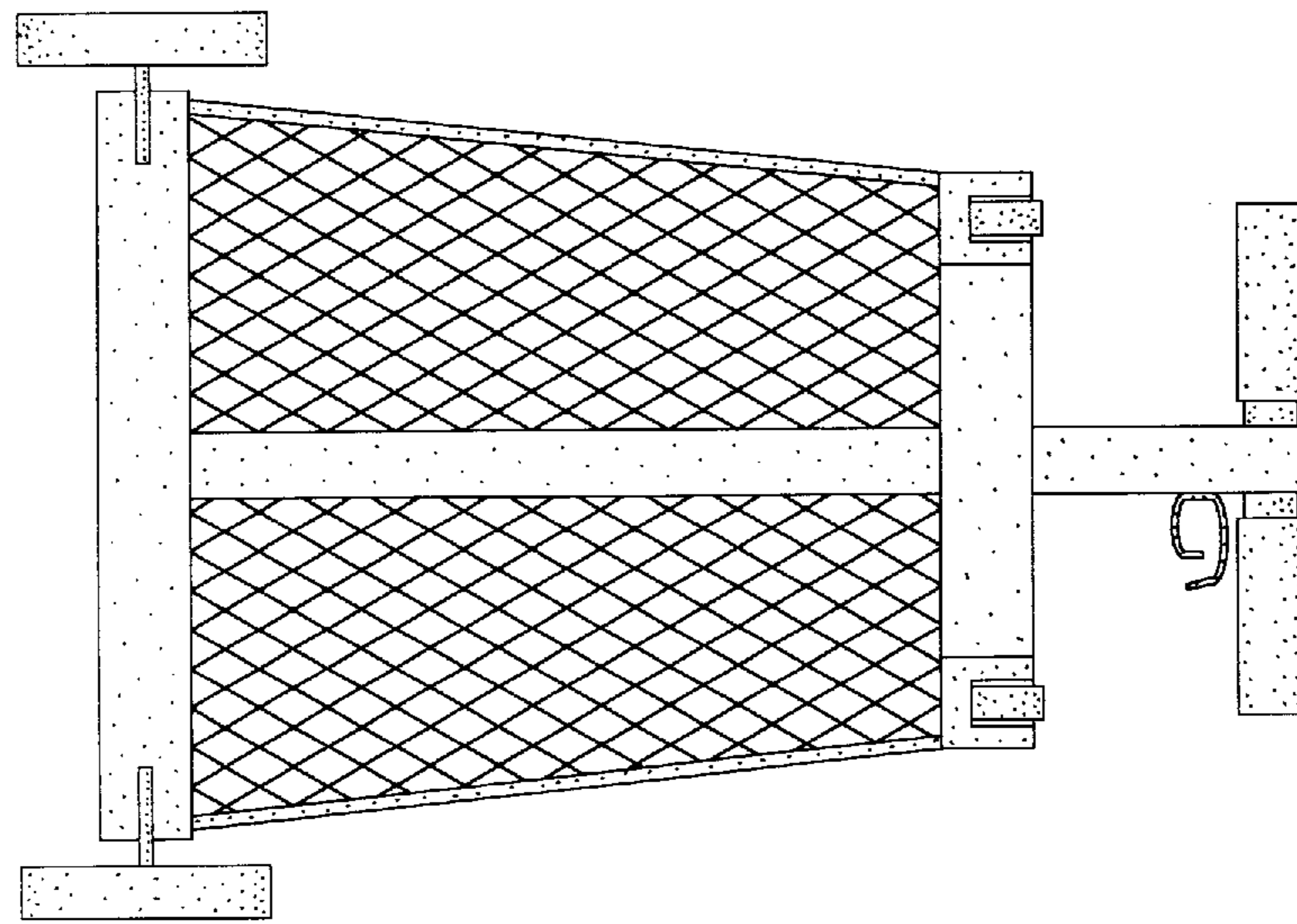


FIG. 7

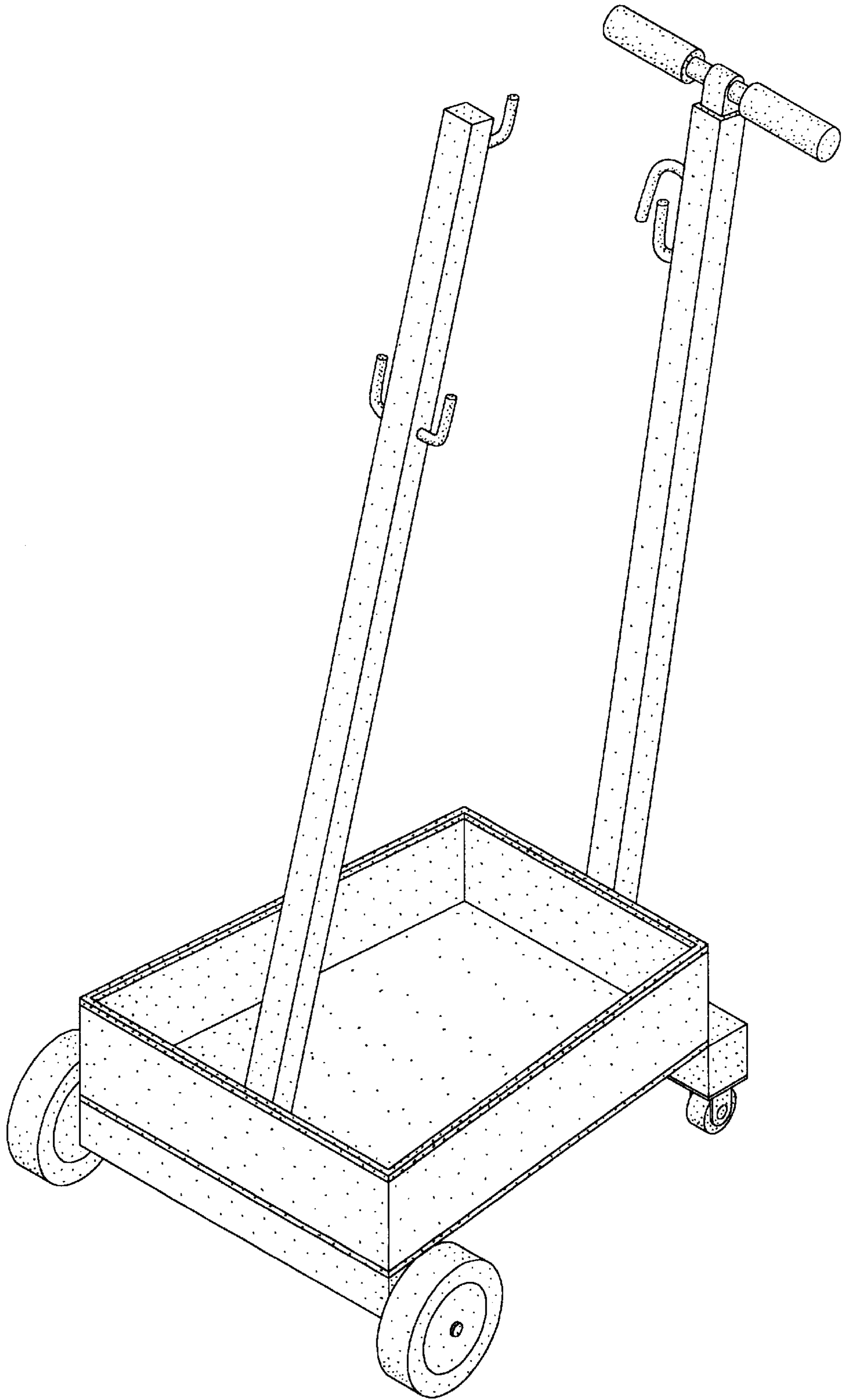


FIG. 8