



US00D406425S

# United States Patent [19] McIntyre

[11] **Patent Number: Des. 406,425**

[45] **Date of Patent: \*\*Mar. 2, 1999**

[54] **SQUEEGEE HANDLING TOOL FOR SILK SCREENING**

4,756,164 7/1988 Barnes et al. .... 101/129 X  
5,379,479 1/1995 Nelson ..... 15/245.1  
5,611,102 3/1997 Lesinsky et al. .... 15/245.1 X

[76] Inventor: **Glen McIntyre**, 1904 Miller St., Mena, Ark. 71953

*Primary Examiner*—Susan J. Lucas  
*Assistant Examiner*—Cynthia E. Ramirez  
*Attorney, Agent, or Firm*—Stephen D. Carver

[\*\*] Term: **14 Years**

[21] Appl. No.: **84,351**

[57] **CLAIM**

[22] Filed: **Mar. 2, 1998**

The ornamental design for a squeegee handling tool for silk screening, as shown and described.

[51] **LOC (6) Cl. .... 08-05**

**DESCRIPTION**

[52] **U.S. Cl. .... D32/41; D8/14**

[58] **Field of Search** ..... D35/40, 42, 46, D35/49; 15/236.01, 245.1, 144.1, 143.1; 16/111 R; D4/122; 101/114, 129; D8/14

FIG. 1 is a frontal isometric view thereof;  
FIG. 2 is a rear isometric view thereof;  
FIG. 3 is a rear elevational view;  
FIG. 4 is a side elevational view, the opposite side comprising a mirror image;  
FIG. 5 is a front elevational view;  
FIG. 6 is a top plan view; and,  
FIG. 7 is a bottom plan view.

[56] **References Cited**

**U.S. PATENT DOCUMENTS**

D. 217,002 3/1970 Wagner .  
D. 398,105 9/1998 Diehl et al. .... D32/35  
2,747,501 5/1956 Latimer .  
4,424,089 1/1984 Sullivan .

**1 Claim, 3 Drawing Sheets**

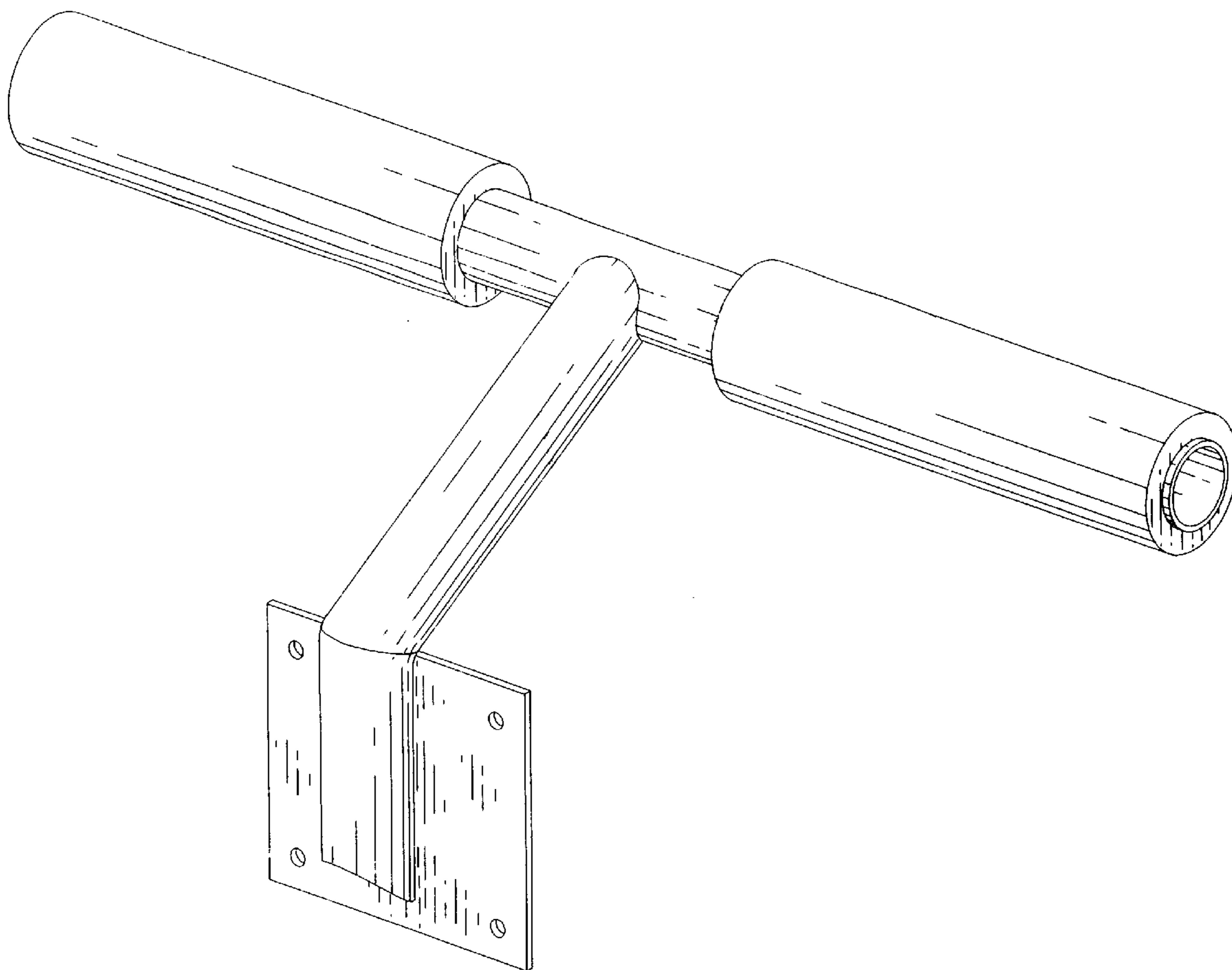


FIG. 1

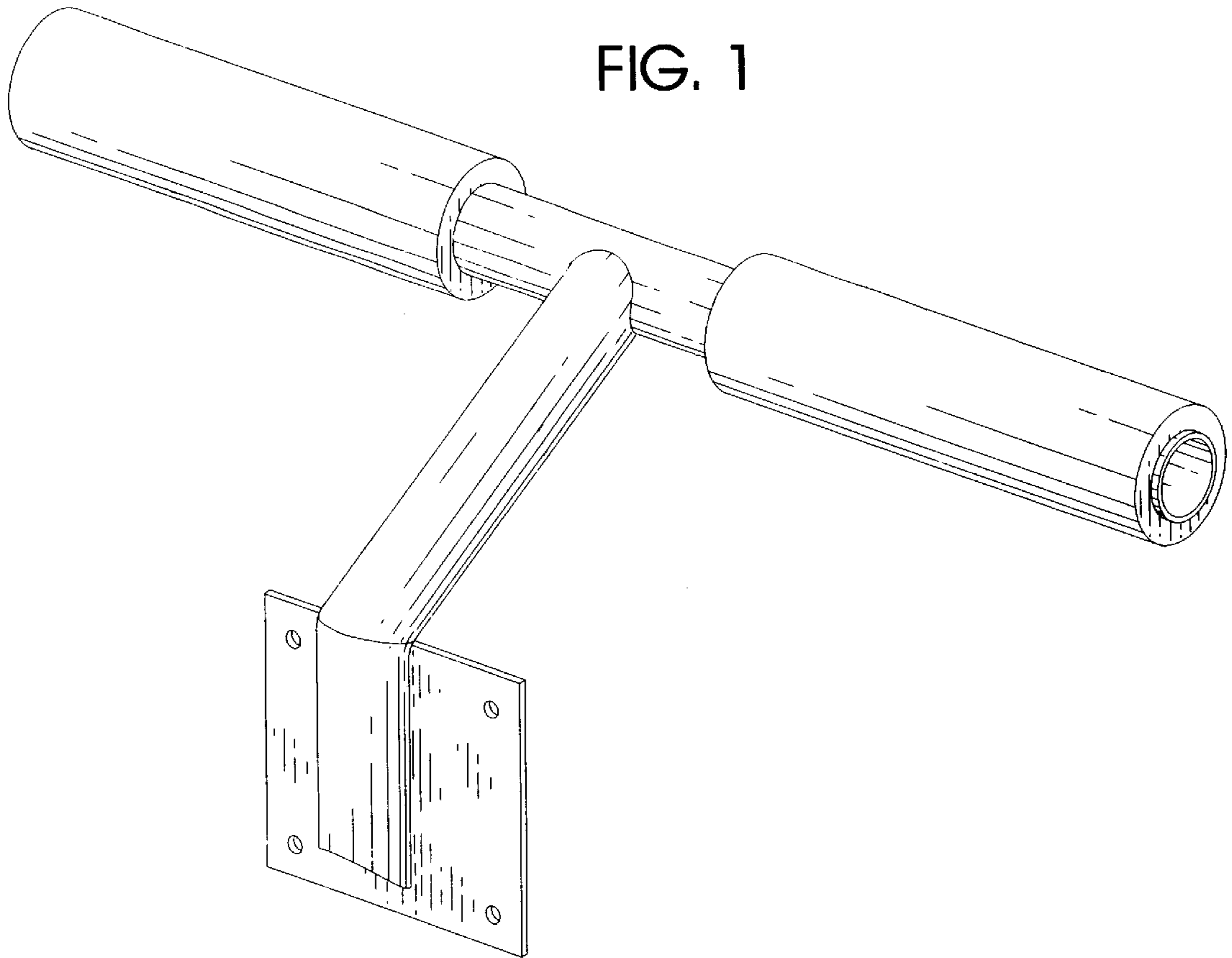


FIG. 2

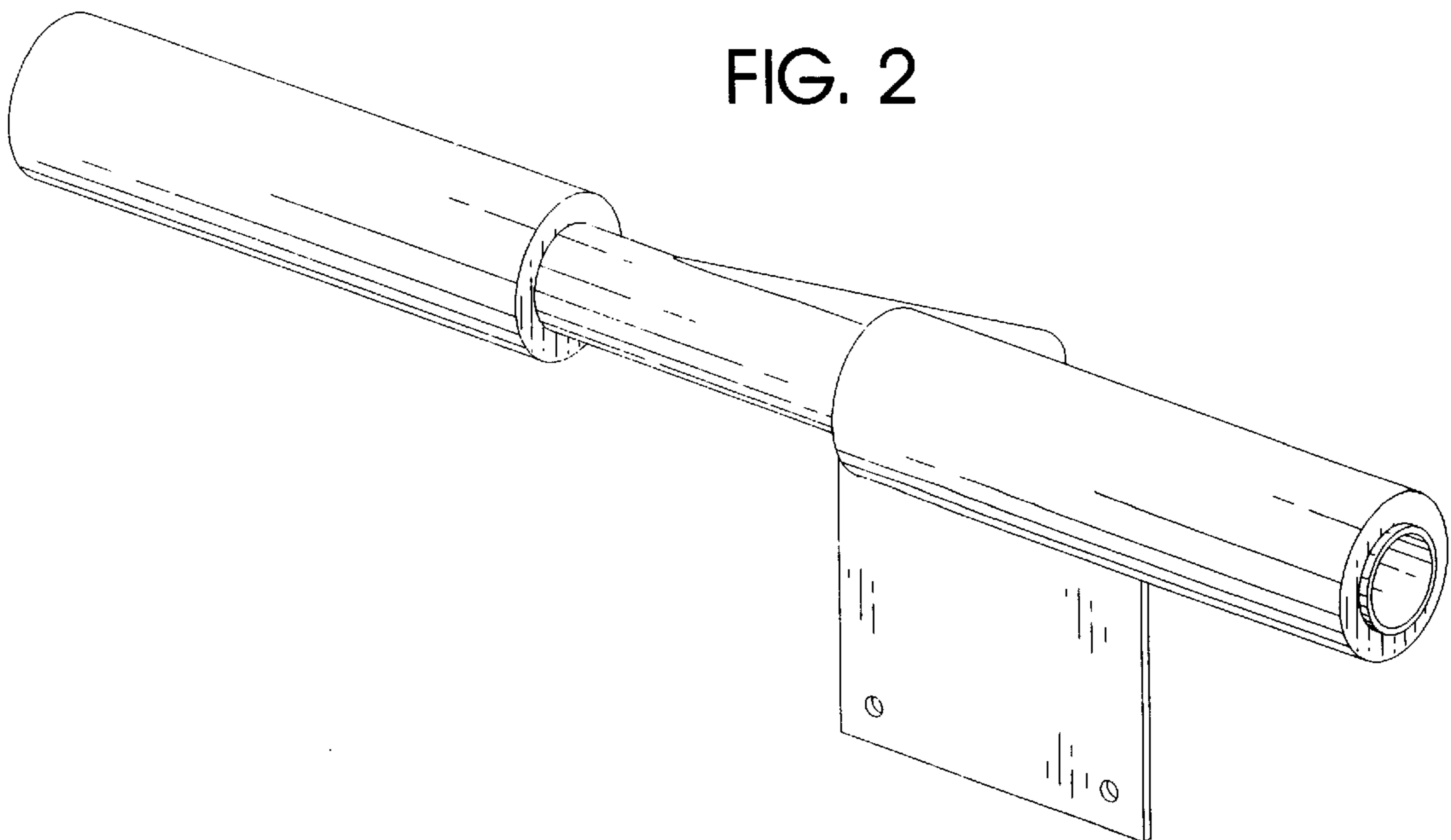


FIG. 3

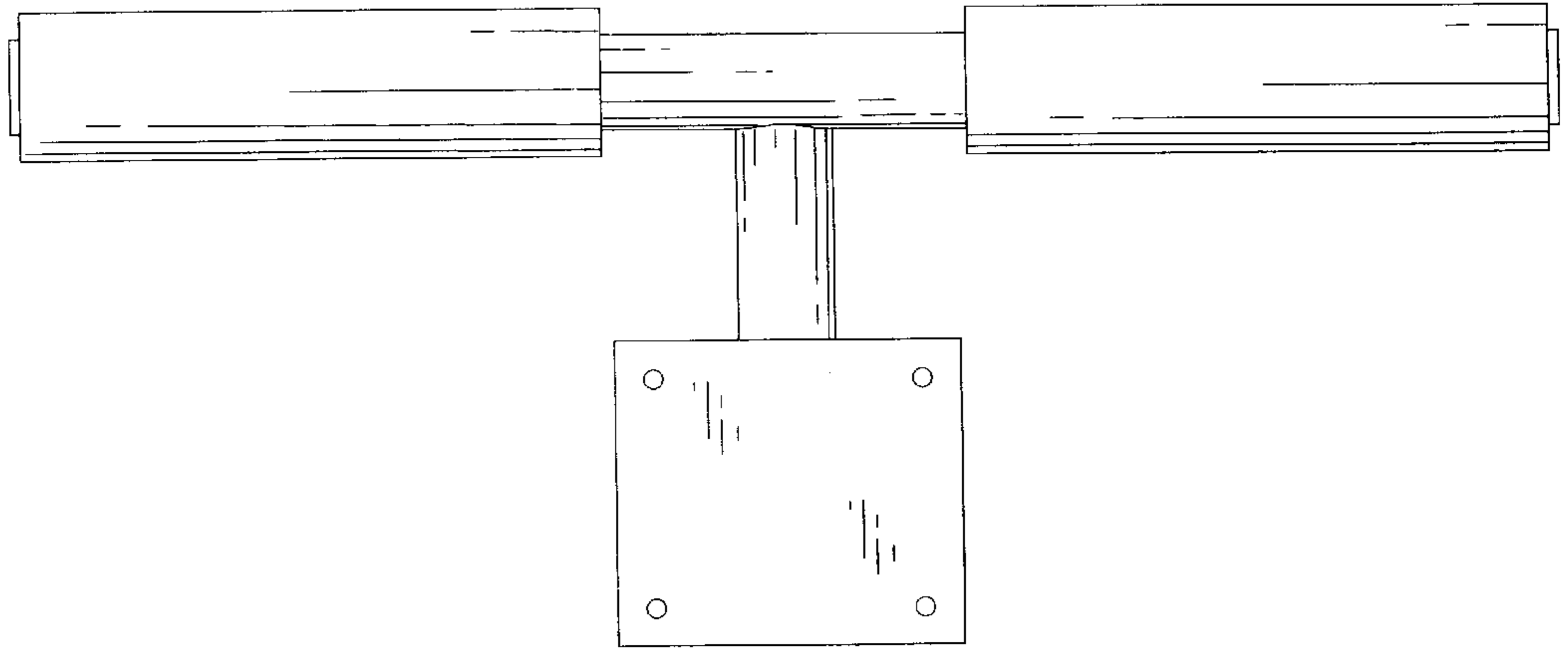


FIG. 4

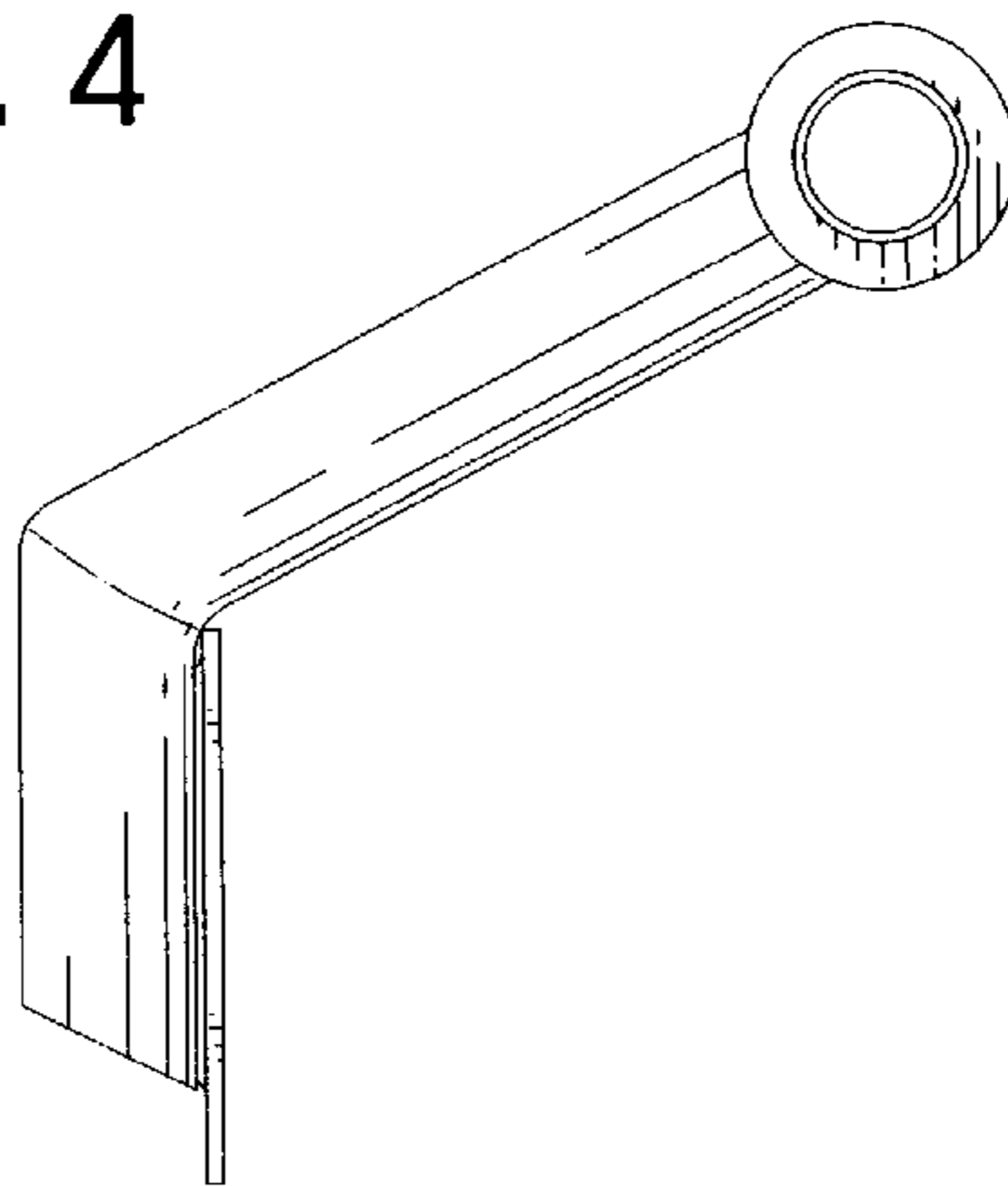


FIG. 5

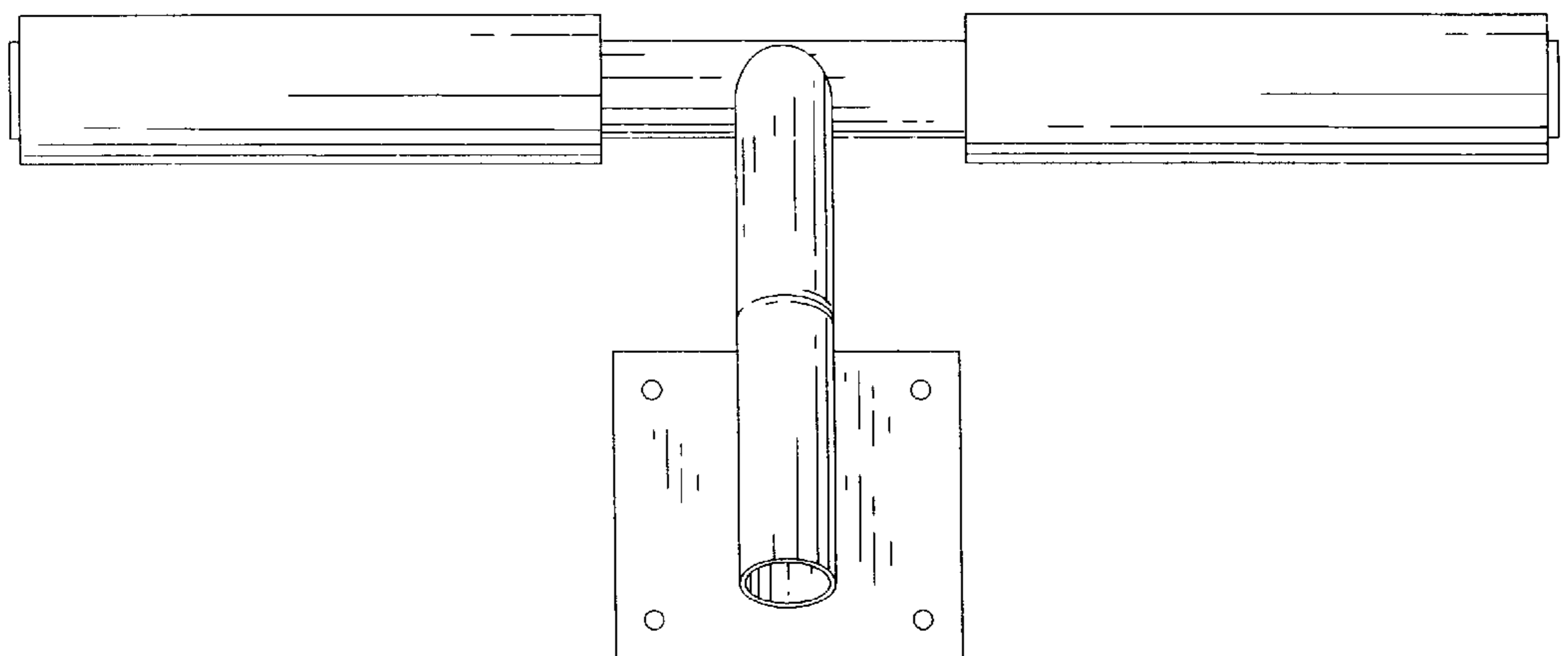


FIG. 6

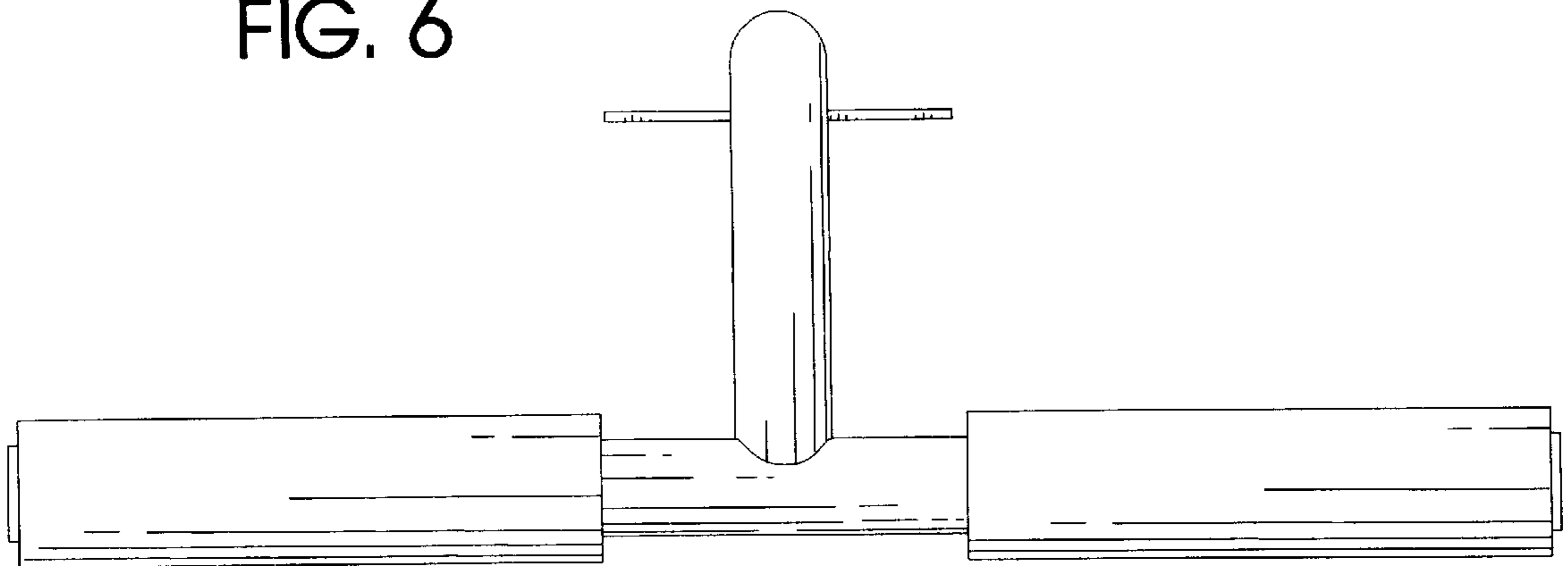


FIG. 7

