



US00D406420S

United States Patent [19] Sin

[11] **Patent Number: Des. 406,420**

[45] **Date of Patent: **Mar. 2, 1999**

[54] **VACUUM BROOM**

[75] Inventor: **Timmy Hok Yin Sin**, Hong Kong,
Hong Kong

[73] Assignee: **Techtronic Industries Co., Ltd.**, Tsuen
Wan, Hong Kong

[**] Term: **14 Years**

[21] Appl. No.: **63,653**

[22] Filed: **Dec. 12, 1996**

[30] **Foreign Application Priority Data**

Jun. 17, 1996 [HK] Hong Kong 2057077

[51] **LOC (6) Cl.** **15-05**

[52] **U.S. Cl.** **D32/22; D32/50**

[58] **Field of Search** D32/31, 22, 38,
D32/39, 40, 50, 52; 15/159.1, 184, 160,
344, 350, 393, 398, 400, 413

[56] **References Cited**

U.S. PATENT DOCUMENTS

D. 215,753 10/1969 Ballou D32/50

D. 283,176 4/1986 Lapin D32/50
D. 370,322 5/1996 Canni Ferrari D32/50
5,010,616 4/1991 Berti 15/159.1
5,414,889 5/1995 Sartori 15/159.1

Primary Examiner—Ruth McInroy
Attorney, Agent, or Firm—Leydig, Voit & Mayer, Ltd.

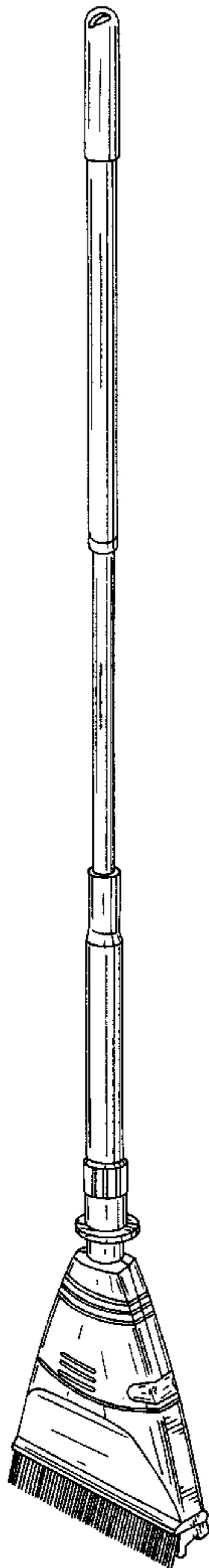
[57] **CLAIM**

The ornamental design for a vacuum broom, as shown and described.

DESCRIPTION

FIG. 1 is a front, right side and top perspective view of a vacuum broom showing my new design;
FIG. 2 is a top plan view thereof;
FIG. 3 is a bottom plan view thereof;
FIG. 4 is a front elevational view thereof;
FIG. 5 is a rear elevational view thereof;
FIG. 6 is a right side elevational view thereof; and,
FIG. 7 is a left side elevational view thereof.

1 Claim, 3 Drawing Sheets



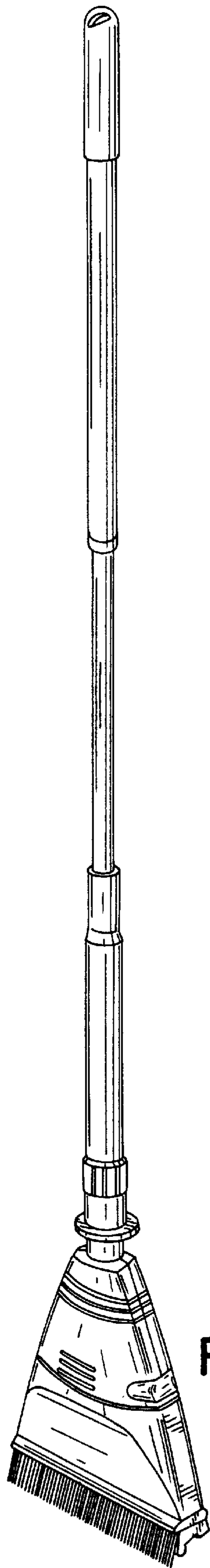


FIG. 1

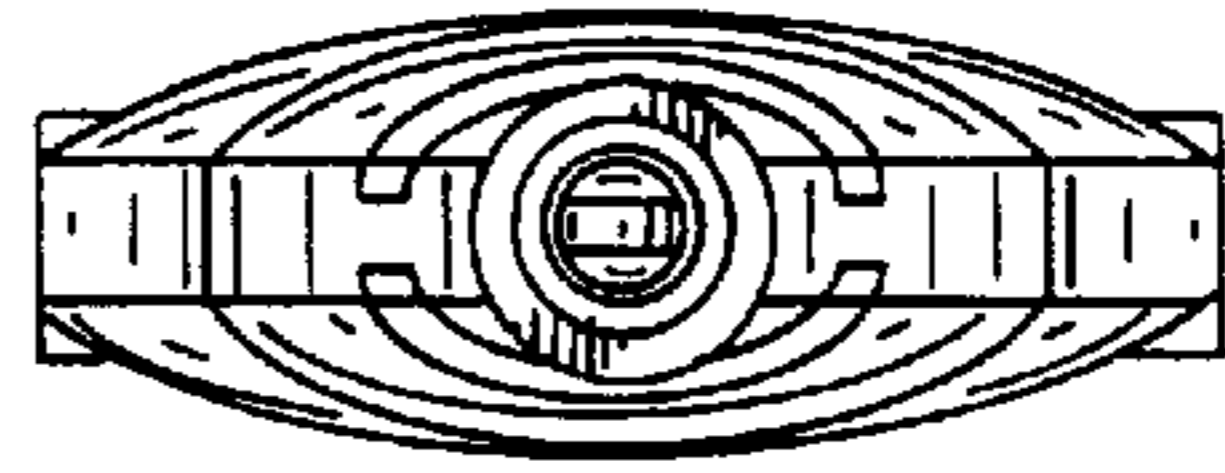


FIG. 2

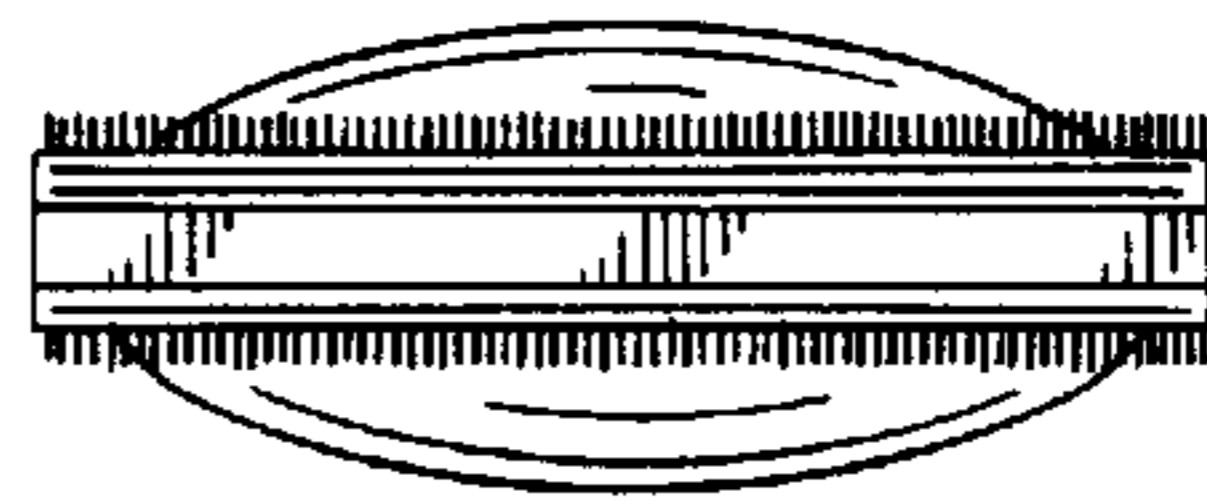


FIG. 3

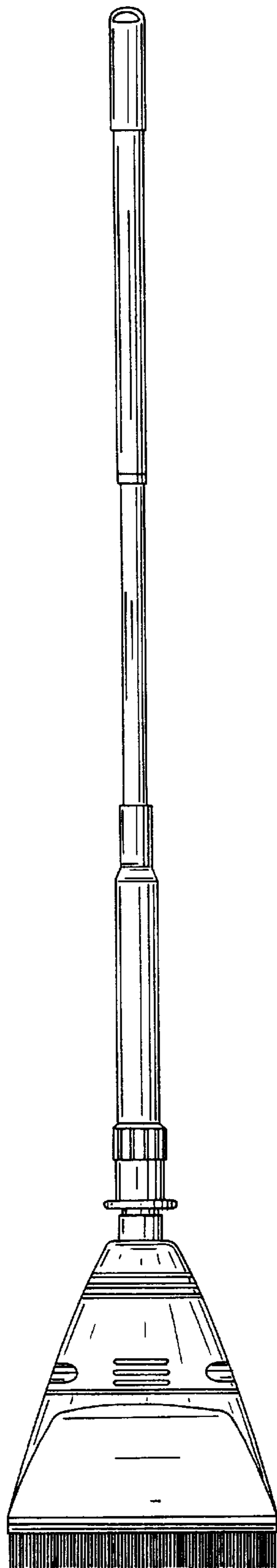


FIG. 4

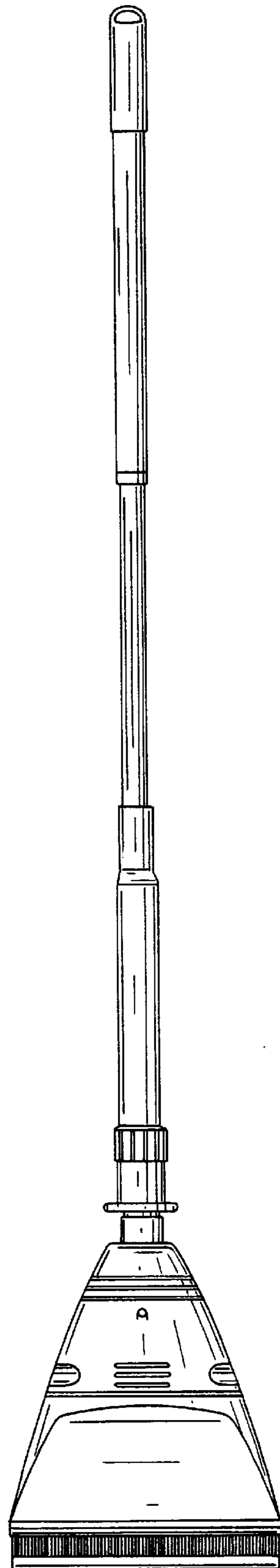


FIG. 5

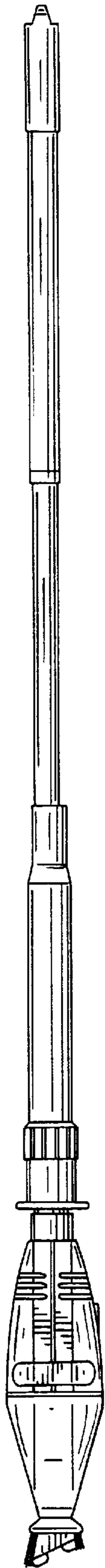


FIG. 6

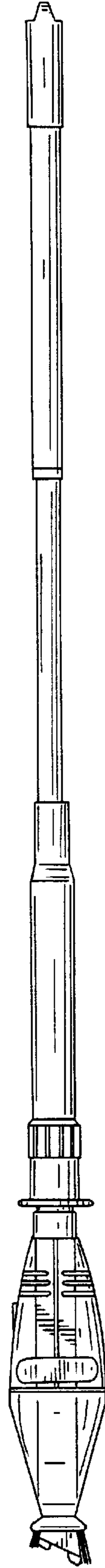


FIG. 7

UNITED STATES PATENT AND TRADEMARK OFFICE
CERTIFICATE OF CORRECTION

PATENT NO. : Des. 406,420
DATED : March 2, 1999
INVENTOR(S) : TIMMY HOK YIN SIN

It is certified that error appears in the above-identified patent and that said Letters Patent is hereby corrected as shown below:

On the title page,

Under Item [30], **Foreign Application Priority Data**,
change "Hong Kong" to --United Kingdom--.

Signed and Sealed this
Twelfth Day of October, 1999

Attest:



Q. TODD DICKINSON

Attesting Officer

Acting Commissioner of Patents and Trademarks