



US00D406417S

# United States Patent [19]

[11] **Patent Number: Des. 406,417**

**Linton et al.**

[45] **Date of Patent: \*\*Mar. 2, 1999**

[54] **PARTS WASHER**

[75] Inventors: **Paul W. Linton**, Vancouver, Wash.; **Hal W. Hardinge**, Lake Oswego, Oreg.; **David Alan Bergerud**, Vancouver, Wash.; **Bill George Epperson, Jr.**, Beaverton, Oreg.

[73] Assignee: **Landa, Inc.**, Portland, Oreg.

[\*\*] Term: **14 Years**

[21] Appl. No.: **73,420**

[22] Filed: **Jul. 7, 1997**

[51] **LOC (6) Cl.** ..... **15-05**

[52] **U.S. Cl.** ..... **D32/1**

[58] **Field of Search** ..... D32/1; 134/169 A, 134/58 R, 111, 180, 200, 172, 184, 186, 188, 198

The Hotsy Corp., Hotsy Tubs brochure, 1990.  
Hydro-Blast Inc., Automatic Cabinet Parts Washer brochure.  
Better Engineering, Mfg., Inc., The Purifiers Jet Washers brochure, 1992.  
Landa Spin Jet Automatic Parts Washer brochure, 1996.  
Membrane Technology, *Precision Cleaning*, vol. III, No. 8, Sep. 1995.  
Landa Spray Jet Parts Washer brochure, Jan. 1995.  
Landa Spray Jet Parts Washer Operator's Manual—Prior to Filing Date of Appn.  
Midco International Inc., Economite Power Gas Conversion Burners Installation and Service Instructions—Prior to Filing Date of Application.  
Grainger Industrial and Commercial Equipment and Supplies 1995 General Catalog No. 386, pp. 1554–1556, 1995.

*Primary Examiner*—Ruth McInroy  
*Attorney, Agent, or Firm*—Kolisch, Hartwell, Dickinson, McCormack & Heuser

[56] **References Cited**

**U.S. PATENT DOCUMENTS**

D. 298,372	11/1988	Taylor, Jr.	.....	D32/1
D. 306,785	3/1990	Soto	.....	D32/29
D. 339,666	9/1993	Knowlton	.....	D32/1
D. 370,096	5/1996	Niemela et al.	.....	D32/1
D. 370,754	6/1996	Miller	.....	D32/1
D. 374,316	10/1996	Niemela et al.	.....	D32/1
D. 384,446	9/1997	Linton et al.	.....	D32/1
1,927,665	9/1933	Kirby	.	
2,078,670	4/1937	Kirby	.	
3,020,918	2/1962	Albertson et al.	.	
3,324,867	6/1967	Freese	.	
3,971,394	7/1976	Osborne	.	
4,995,409	2/1991	Watts	.	
5,107,876	4/1992	Ozyjiwsky	.	

**FOREIGN PATENT DOCUMENTS**

1 293 424 4/1969 Germany .

**OTHER PUBLICATIONS**

Cuda Corporation Automatic Parts Washer brochure, 1994.  
Citation Industries Heavy Duty Jet Washer brochure.  
JBI Industries Spray Jet Parts Washers brochure.

[57] **CLAIM**

The ornamental design for a parts washer, as shown and described.

**DESCRIPTION**

FIG. 1 is an isometric view of a parts washer showing our new design;  
FIG. 2 is a front elevation view thereof;  
FIG. 3 is a rear elevation view thereof;  
FIG. 4 is a rear elevation view of FIG. 3 with the details shown in broken lines removed;  
FIG. 5 is a right side elevation view thereof;  
FIG. 6 is a left side elevation view thereof;  
FIG. 7 is a top plan view thereof;  
FIG. 8 is a top plan view of FIG. 6 with the details shown in broken lines removed; and,  
FIG. 9 is a bottom plan view thereof.  
The broken lines in FIGS. 1–3, 5–7 and 9 are shown for illustrative purposes only and form no part of the claimed design

**1 Claim, 4 Drawing Sheets**

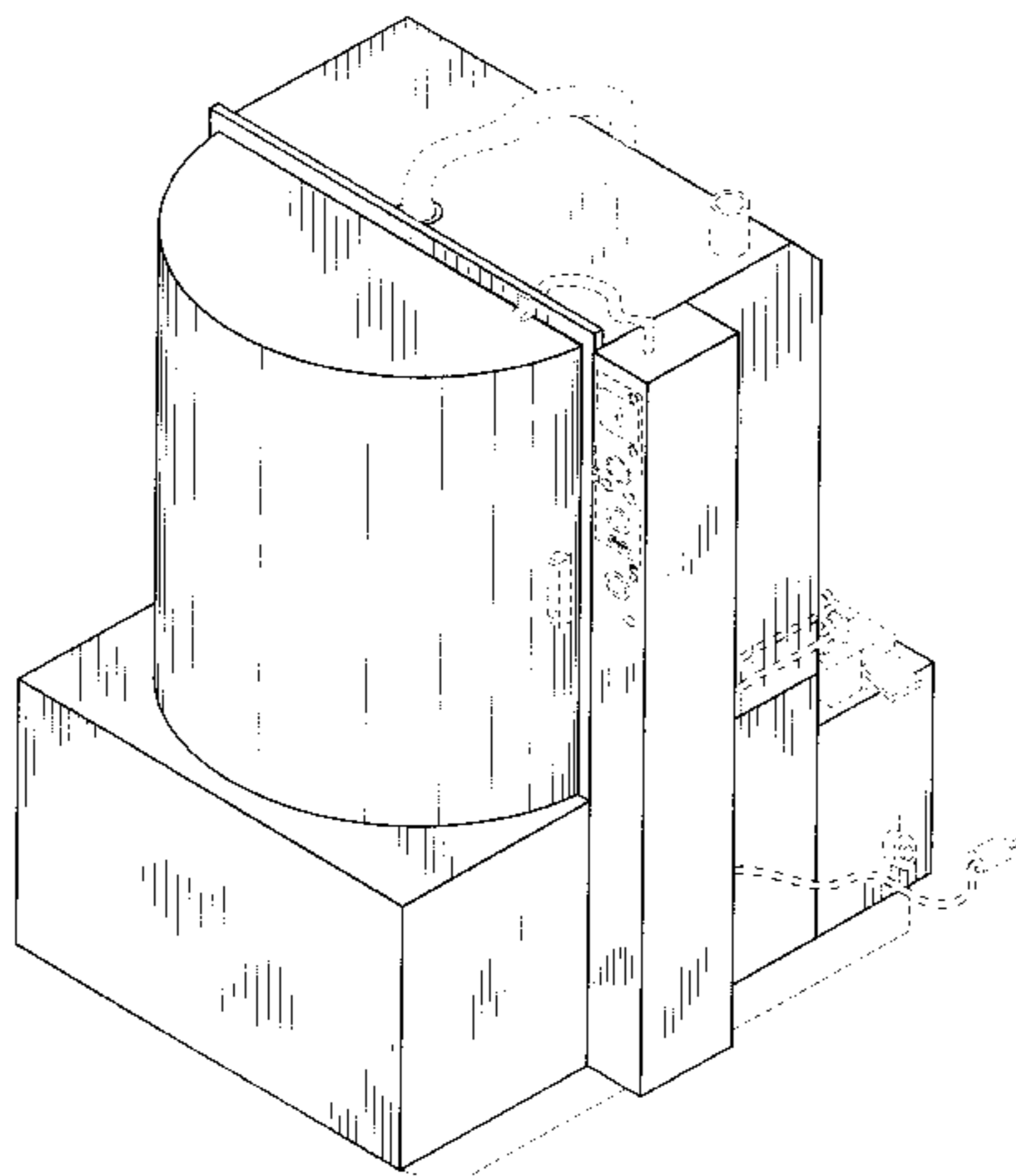


Fig. 1

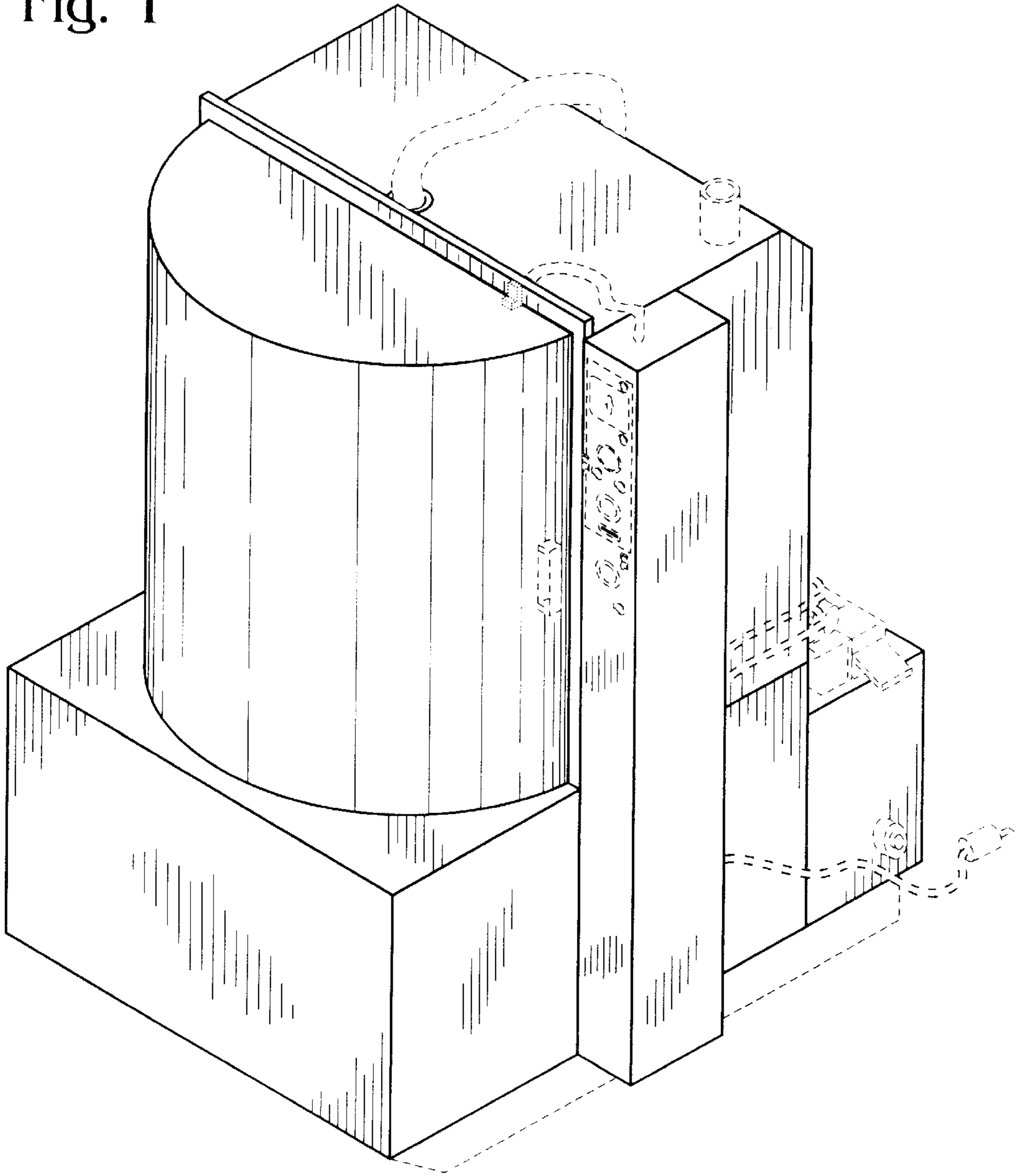


Fig. 2

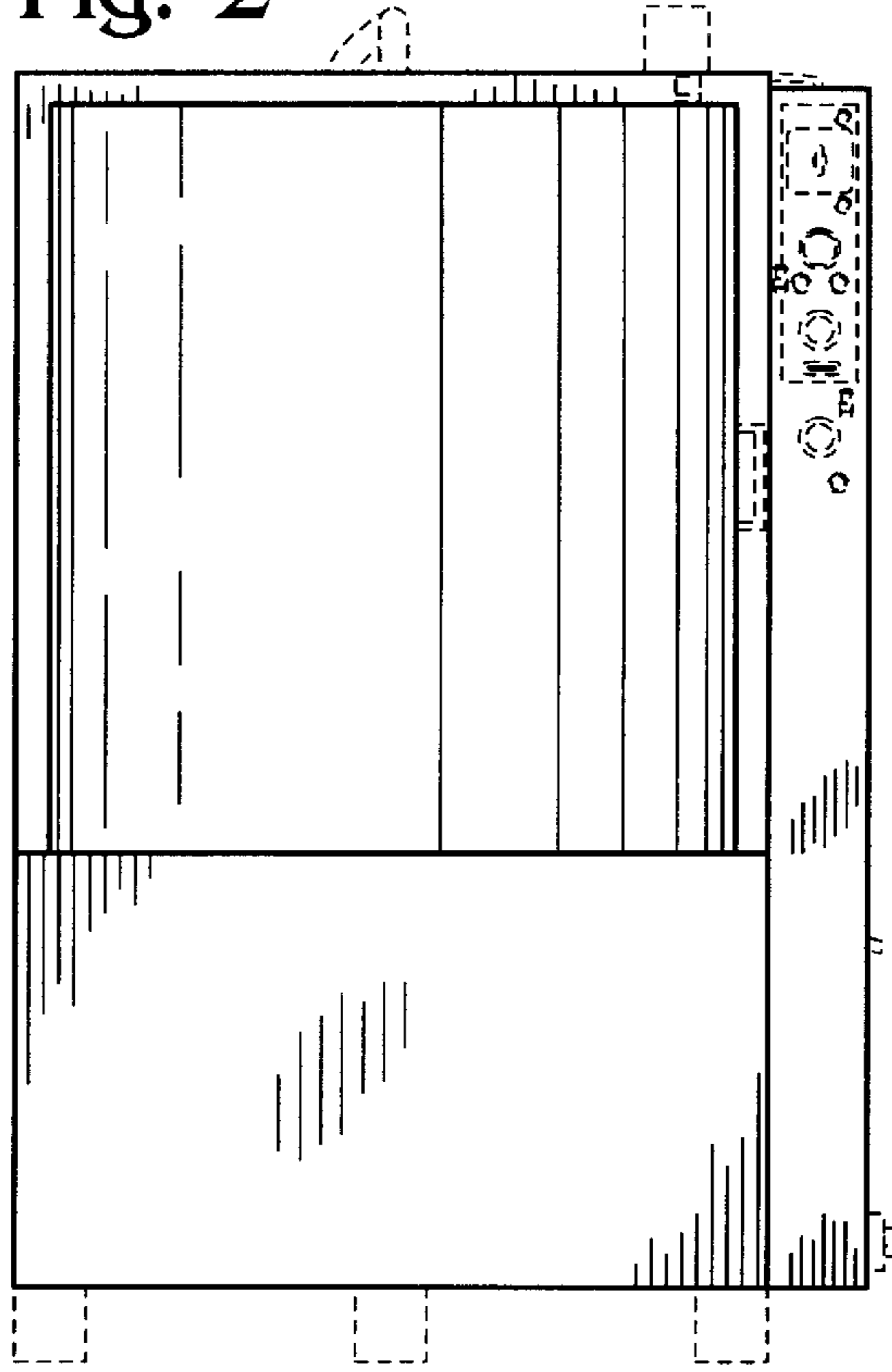


Fig. 3

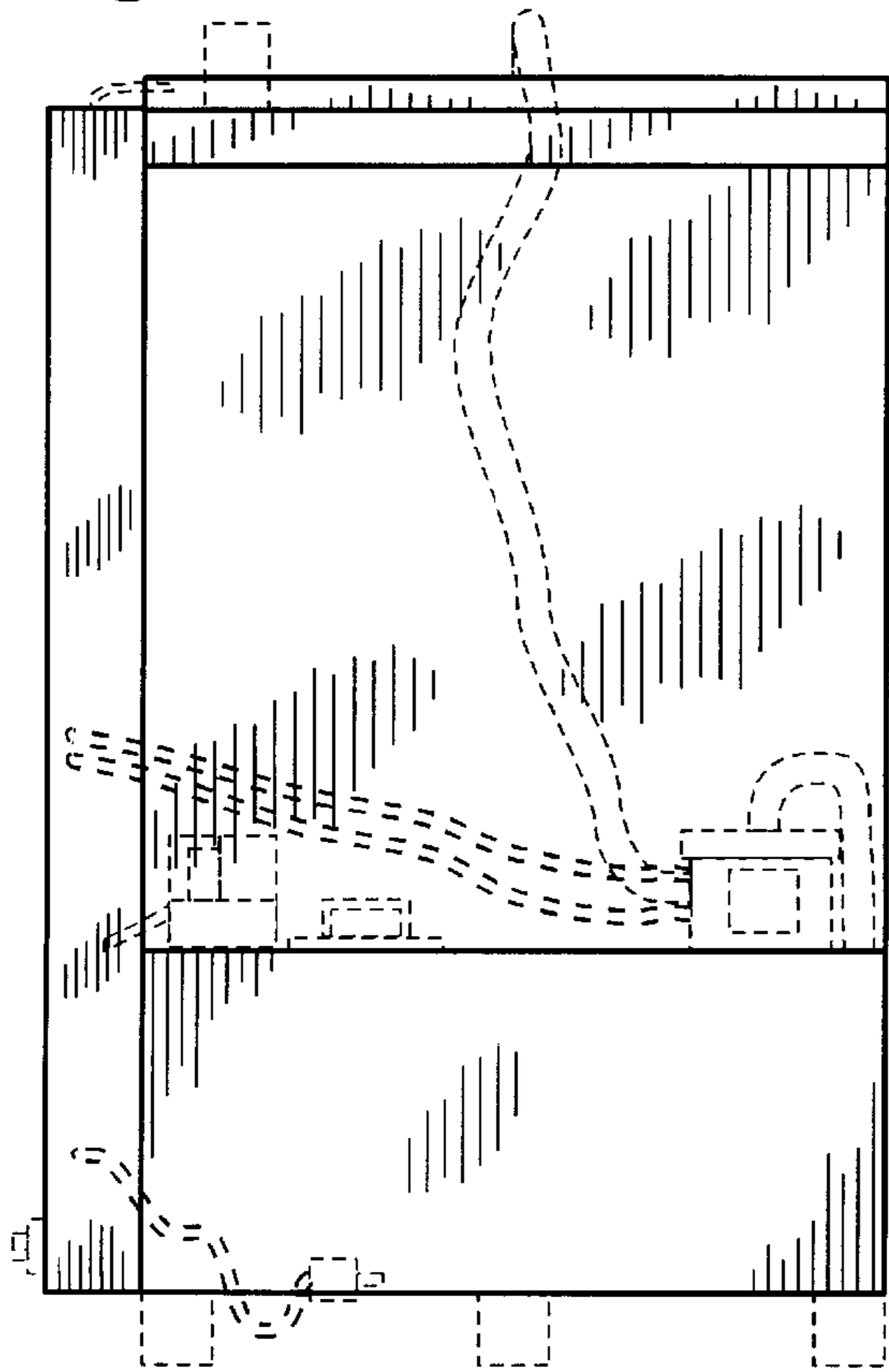


Fig. 4

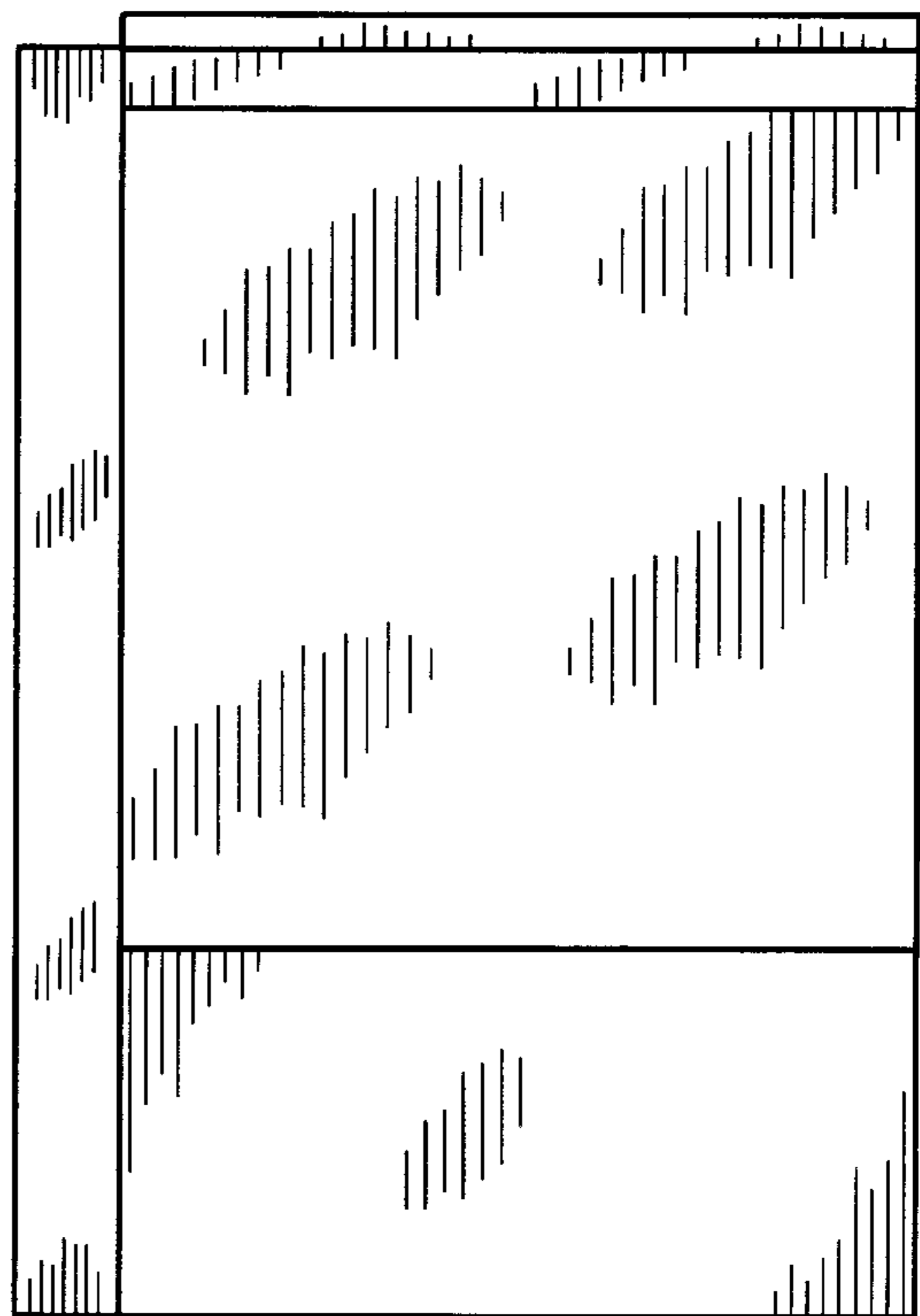


Fig. 5

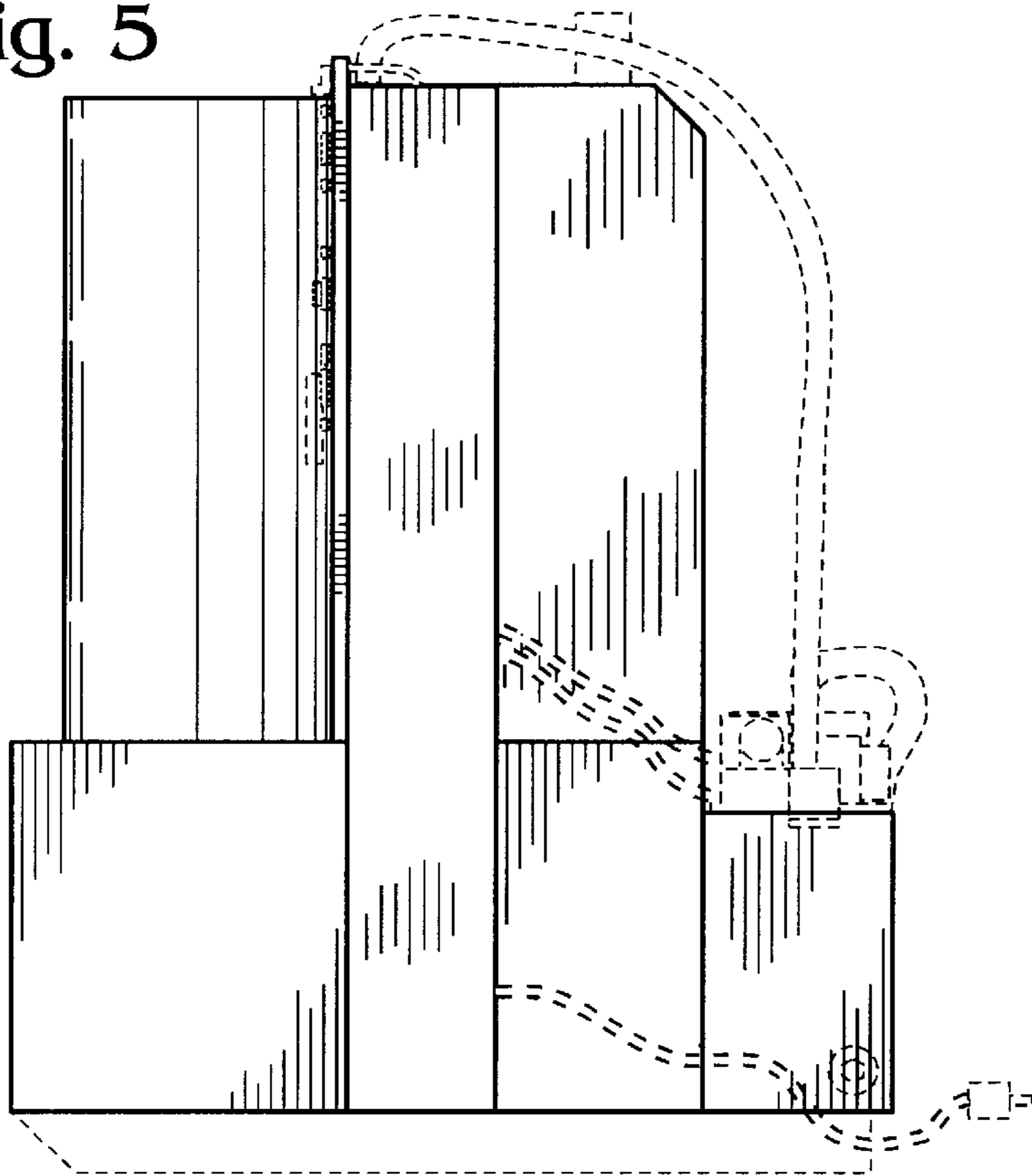


Fig. 6

