



US00D406396S

# United States Patent [19] Granwehr

[11] **Patent Number: Des. 406,396**

[45] **Date of Patent: \*\*Mar. 2, 1999**

[54] **COSMETIC CONTAINER**

[75] Inventor: **Stephen Granwehr**, Warwick, N.Y.

[73] Assignee: **Cosmetech International LLC**, New York, N.Y.

[\*\*] Term: **14 Years**

[21] Appl. No.: **80,200**

[22] Filed: **Dec. 3, 1997**

[51] **LOC (6) Cl. .... 28-03**

[52] **U.S. Cl. .... D28/76; D28/77; D28/82**

[58] **Field of Search .... D28/76, 77-84; D9/337, 503, 504, 418; D3/215, 225, 207, 212, 205, 200-203; 63/1.11, 1.14, 1.15, 18, 19; D11/2, 79, 80, 85; 132/293-307, 316; 206/37, 38, 235, 581, 823; 220/377, DIG. 26**

[56] **References Cited**

**U.S. PATENT DOCUMENTS**

D. 42,730	7/1912	Dailey .....	D11/80
D. 252,323	7/1979	Molenaar .....	D3/207 X
D. 272,804	2/1984	Braun .....	D9/504
316,118	4/1885	Cooke .....	63/18
D. 341,388	11/1993	Rocco .....	D3/274 X
D. 358,251	5/1995	Bettis .....	D3/208
D. 373,220	8/1996	Lund et al. ....	D28/77
D. 382,704	8/1997	Petruzzi .....	D3/207
1,363,218	12/1920	Barrows et al. ....	132/295
1,404,058	1/1922	Raynor .....	132/297
2,128,737	8/1938	Aronstein .....	132/294
2,565,076	8/1951	Haubrick .....	132/296 X
4,165,815	8/1979	Vetter .....	220/4.27 X
4,765,459	8/1988	Edwards .....	206/38.1
5,414,948	5/1995	Kudo .....	63/19 X

**FOREIGN PATENT DOCUMENTS**

660447 4/1987 Switzerland ..... 132/316

**OTHER PUBLICATIONS**

Beauty Fashion Jun. 1984, p. 34: cosmetic container on far right.

Modern Salon, Sep. 1987, p. 195—cosmetic container shown by arrow.

*Primary Examiner*—Philip S. Hyder

*Assistant Examiner*—C. Tuttle

*Attorney, Agent, or Firm*—Cowan, Liebowitz & Latman, P.C.

[57] **CLAIM**

The ornamental design for a cosmetic container, as shown and described.

**DESCRIPTION**

FIG. 1 is a perspective view of a cosmetic container showing my new design;

FIG. 2 is a top view thereof;

FIG. 3 is a bottom view thereof;

FIG. 4 is right side view thereof; the left side view being a mirror image of the right side view;

FIG. 5 is a right side view of my new design, with another cosmetic container on the top thereof shown in broken lines;

FIG. 6 is a right side view of my new design, with two cosmetic containers on the top thereof shown in broken lines;

FIG. 7 is a right side view of my new design, with another cosmetic container on the top thereof and another cosmetic container at the bottom thereof shown in broken lines;

FIG. 8 is a perspective view of a cosmetic container showing a second embodiment of my new design;

FIG. 9 is a top view thereof;

FIG. 10 is a bottom view thereof;

FIG. 11 is a right side view thereof; the left side view being a mirror image of the right side view;

FIG. 12 is a perspective view of a cosmetic container showing a third embodiment of my new design;

FIG. 13 is a top view thereof;

FIG. 14 is a bottom view thereof;

FIG. 15 is a perspective view of the cosmetic container shown in FIG. 12 with the cover removed for a complete disclosure of the underlying parts;

FIG. 16 is a top view thereof; and,

FIG. 17 is a right side view of the uncovered container shown in FIGS. 15 and 16, with additional containers on the top thereof shown in broken lines; the left side view being a mirror image thereof.

The portions shown in broken lines in FIGS. 5, 6, 7 and 17 are for illustrative purposes only and do not form part of the claimed design.

**1 Claim, 6 Drawing Sheets**

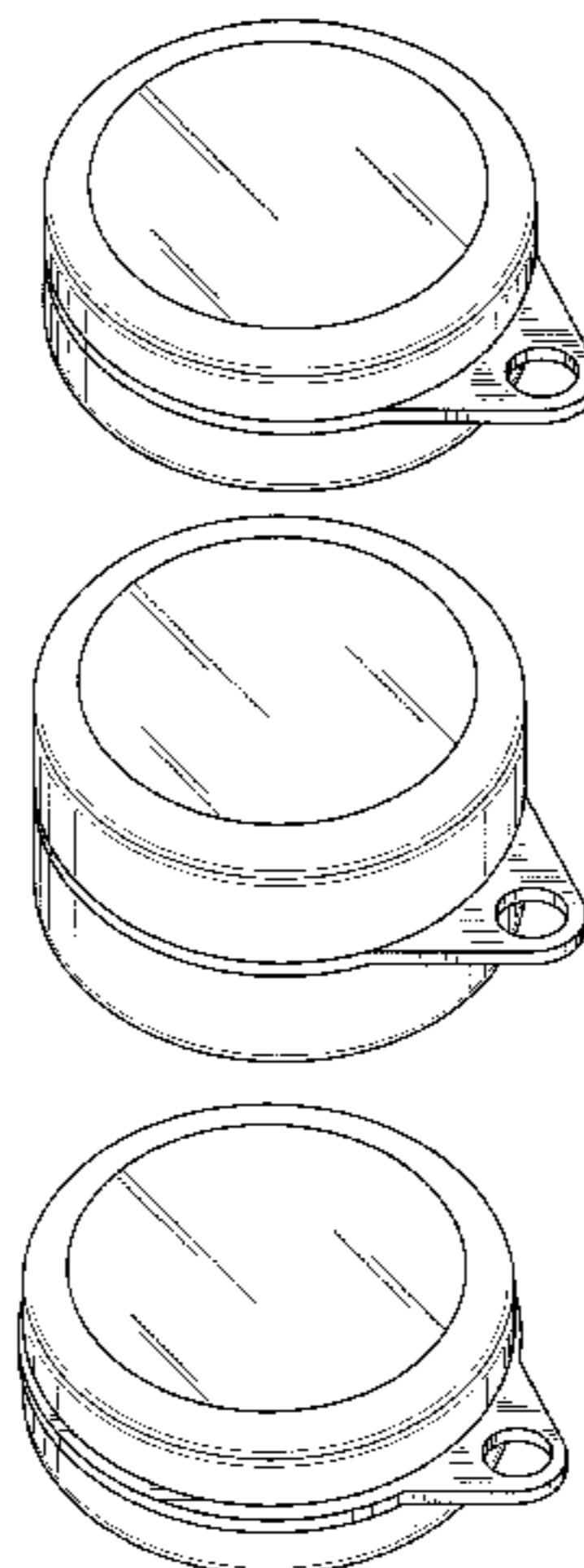


FIG. 1

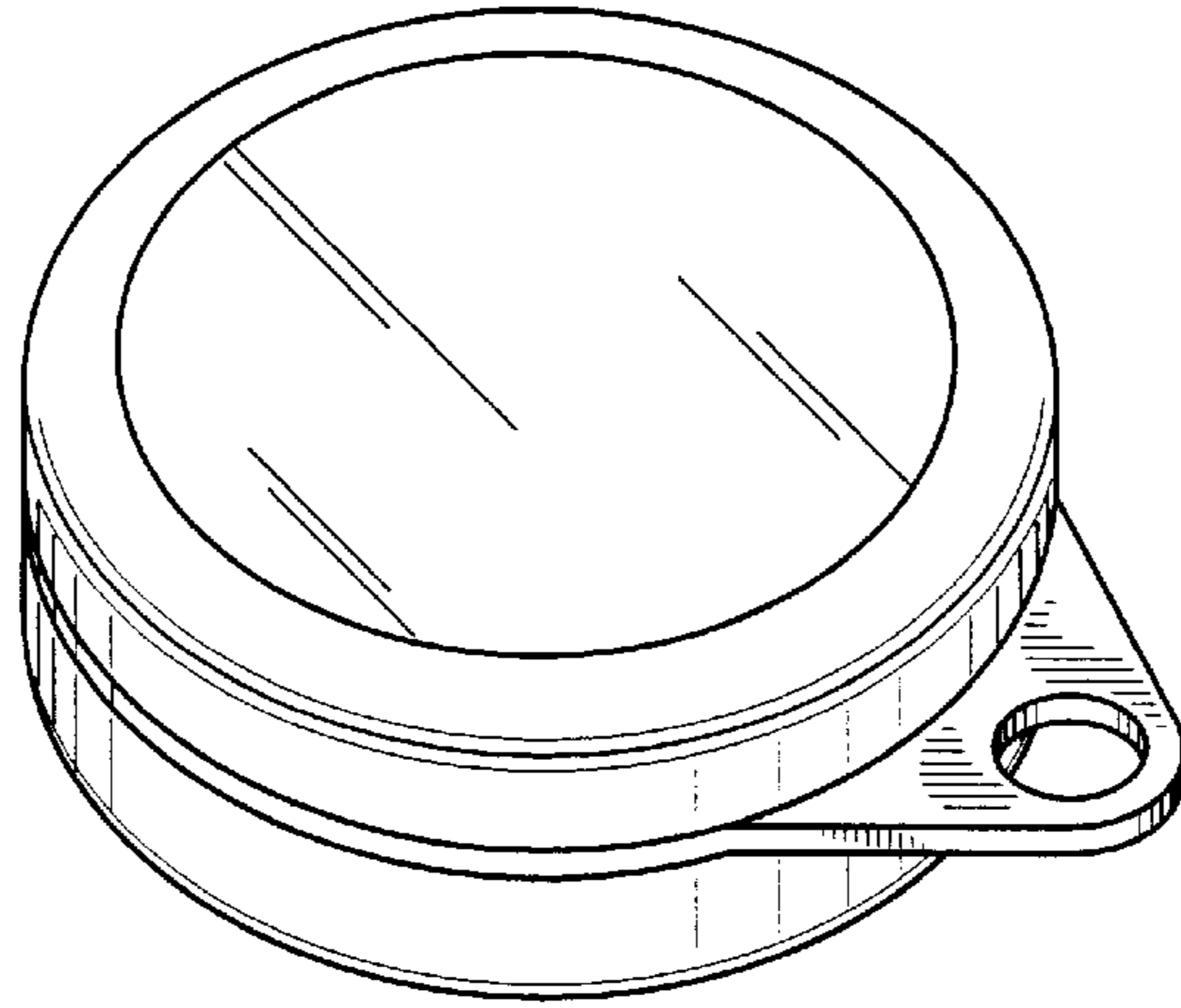


FIG. 2

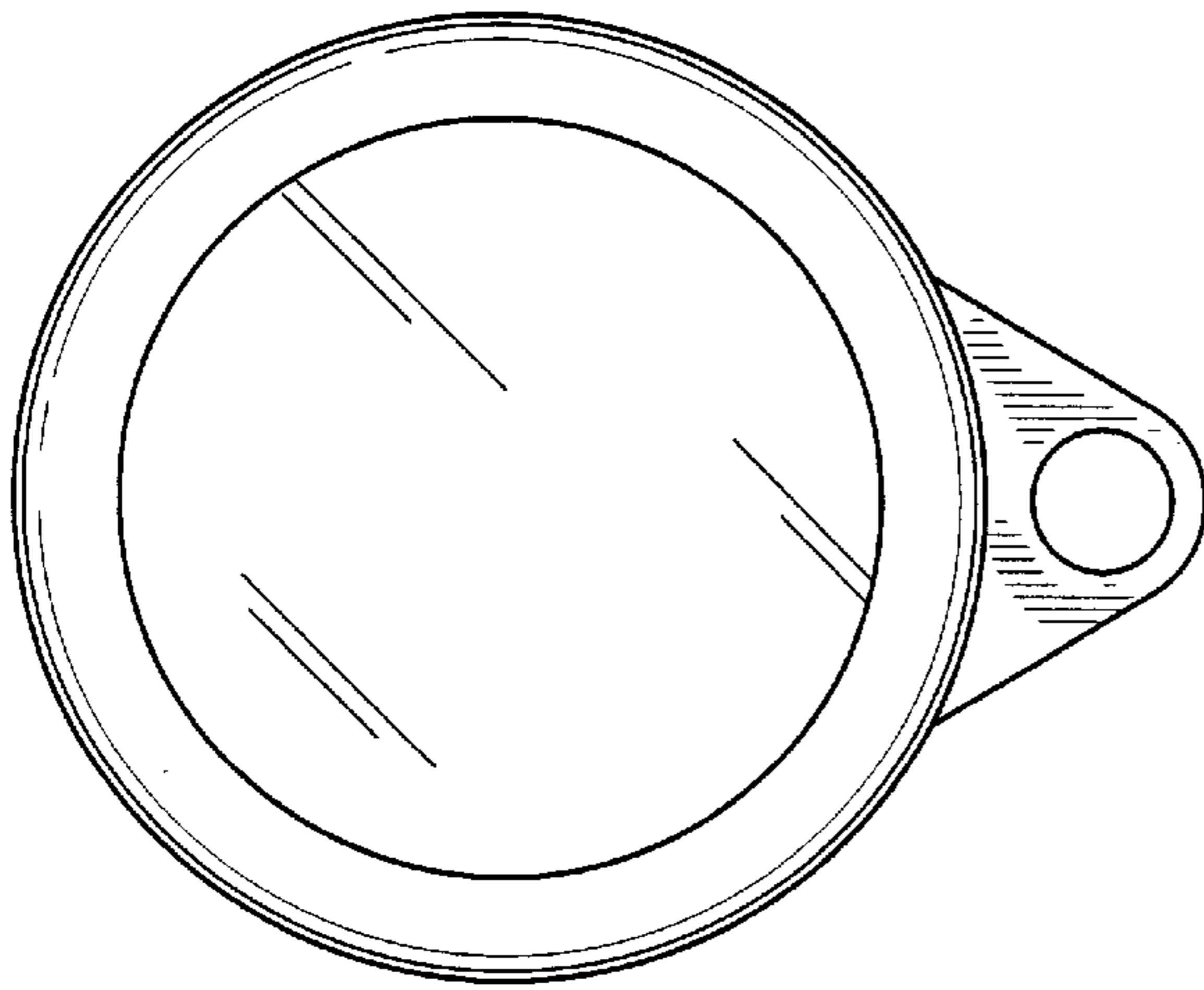


FIG. 3

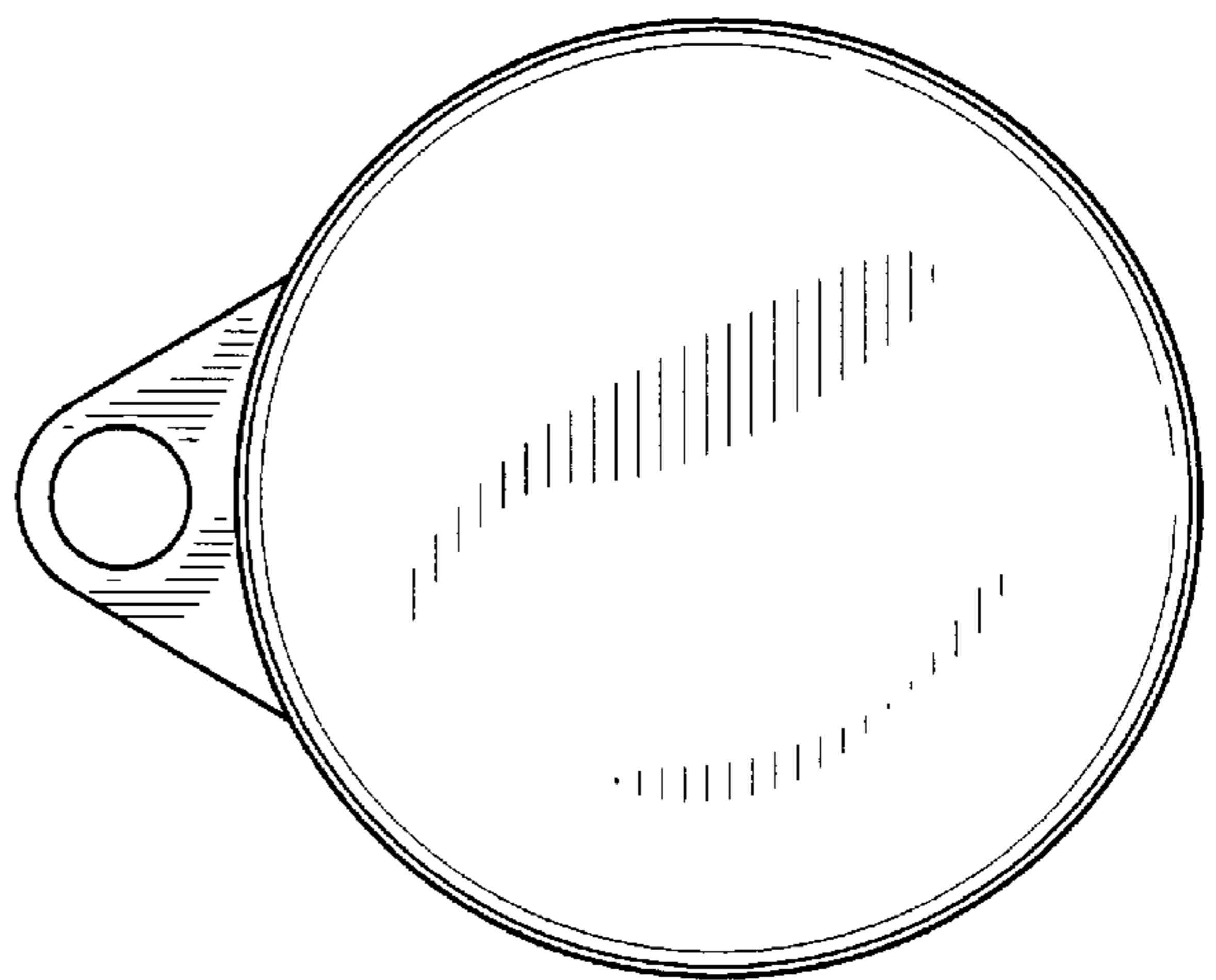


FIG. 4

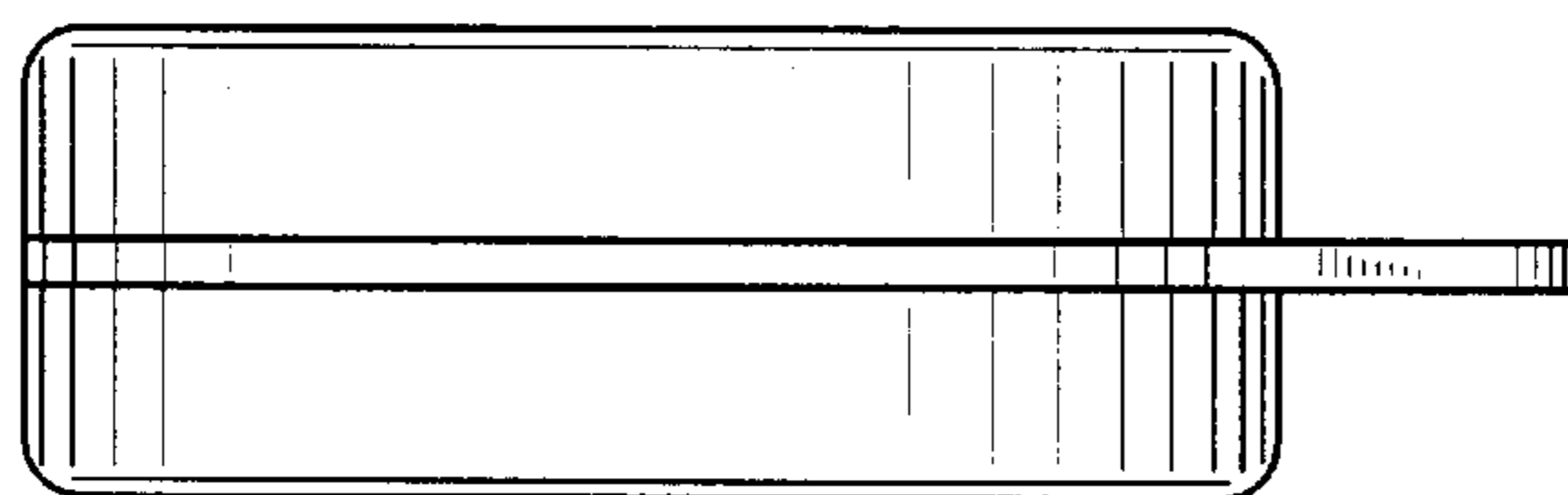


FIG. 5

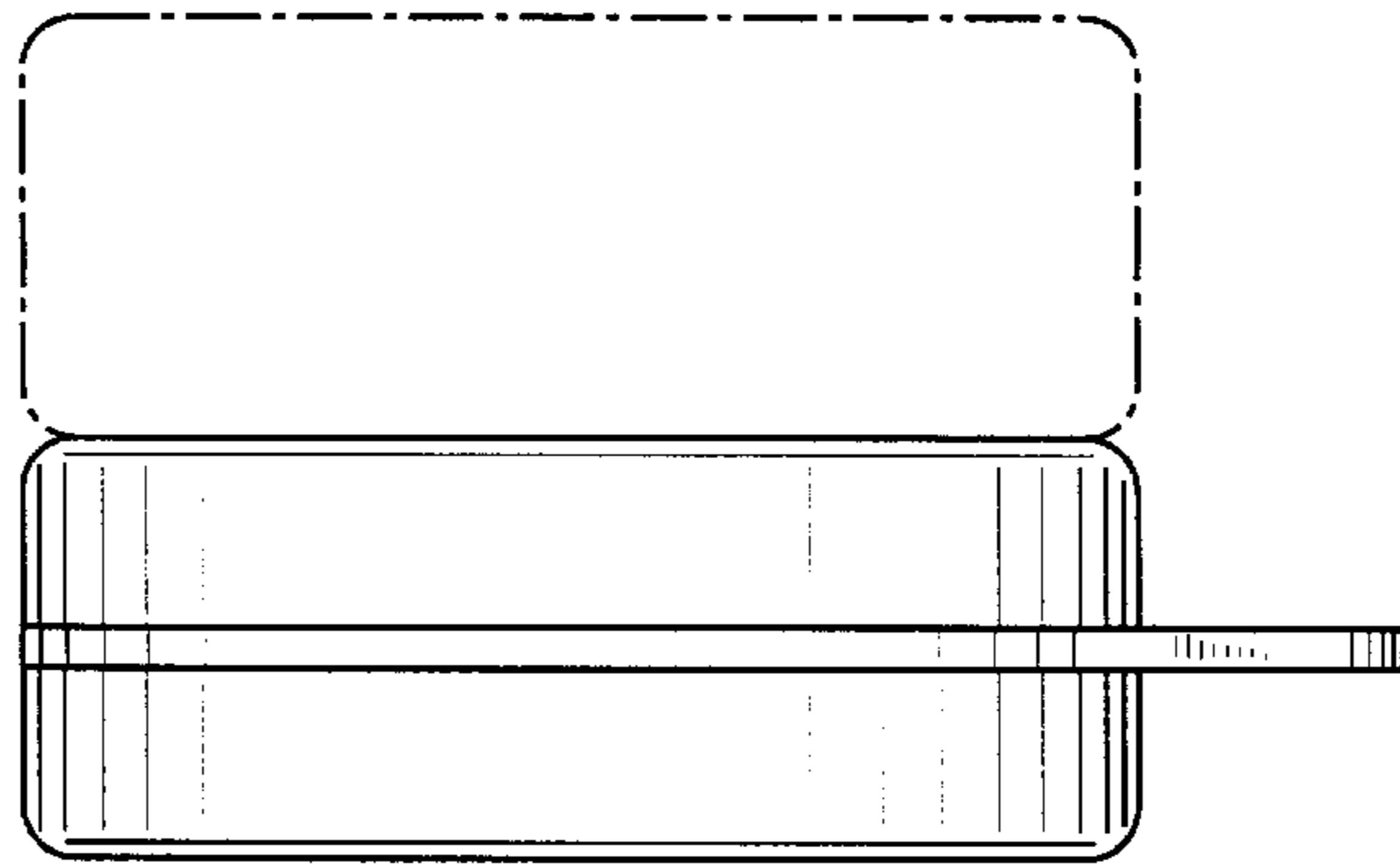


FIG. 6

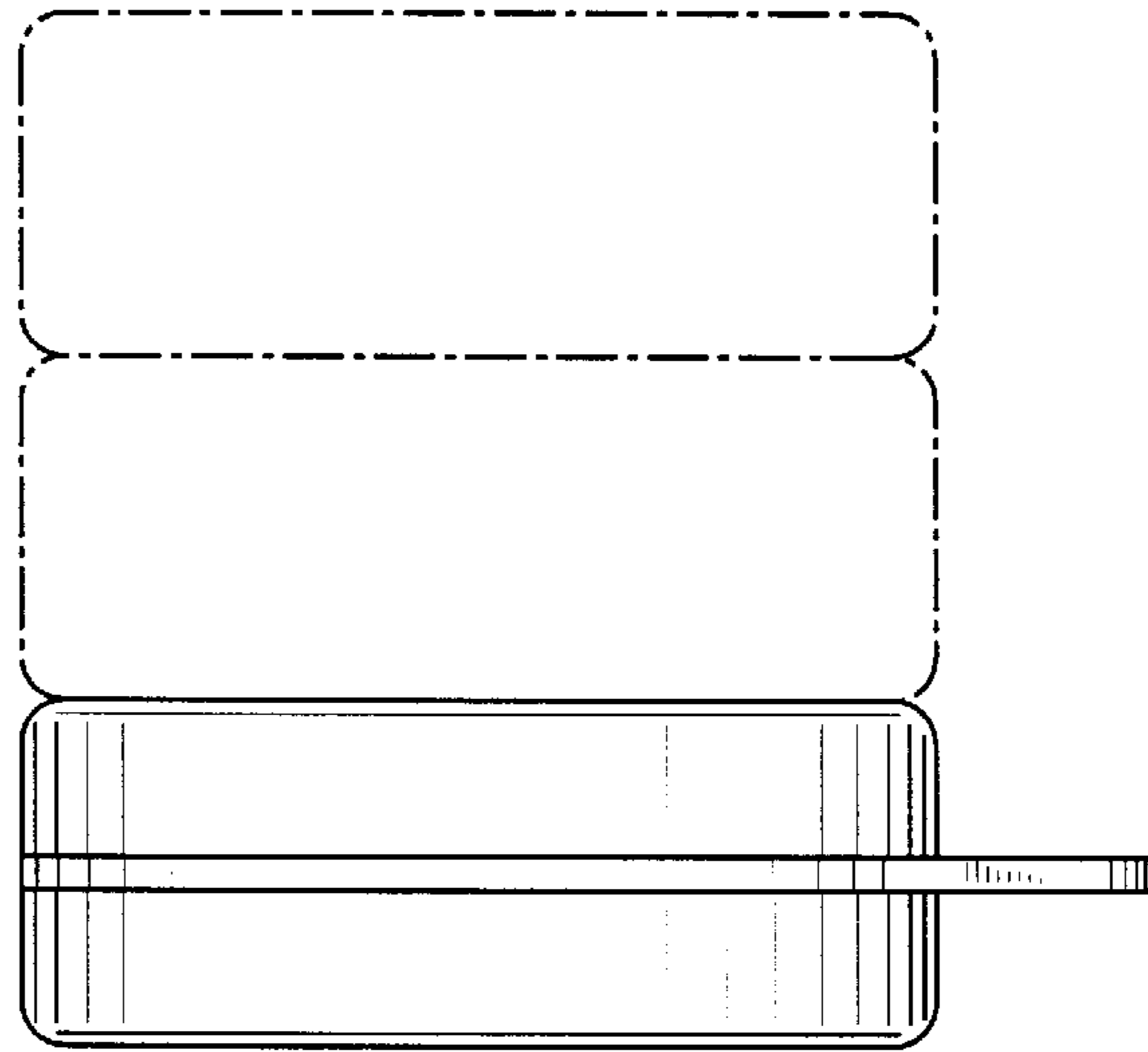
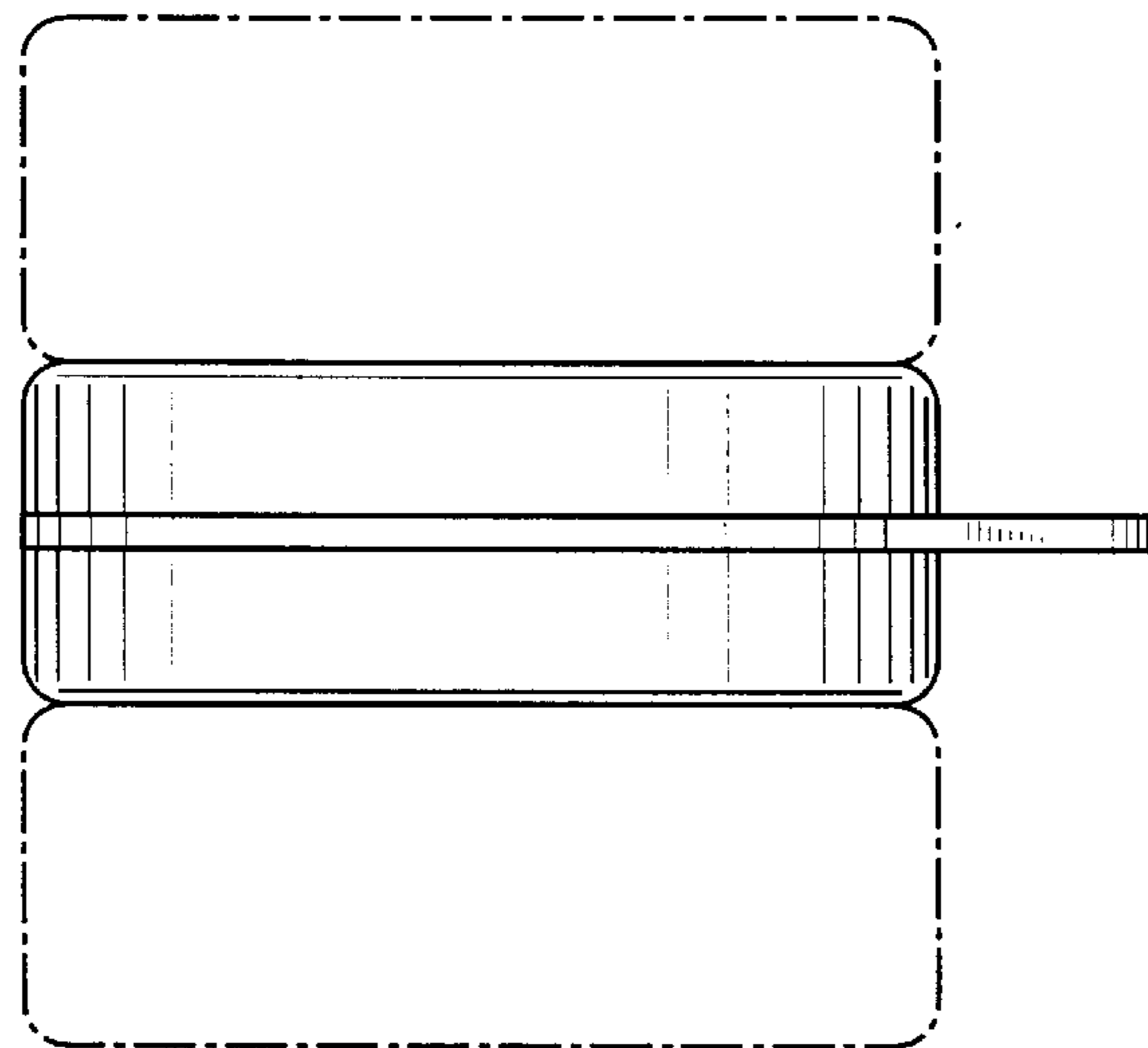
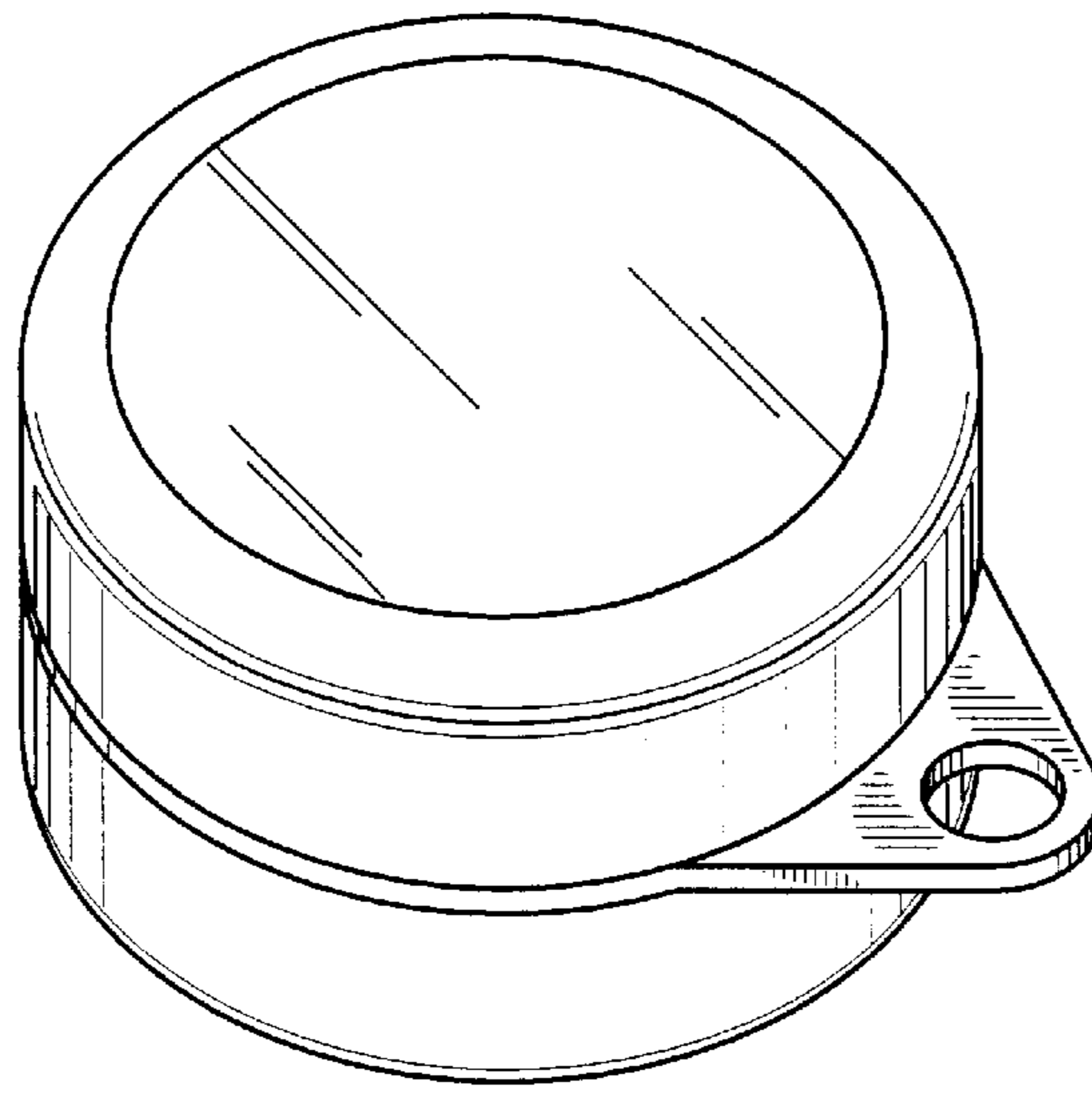


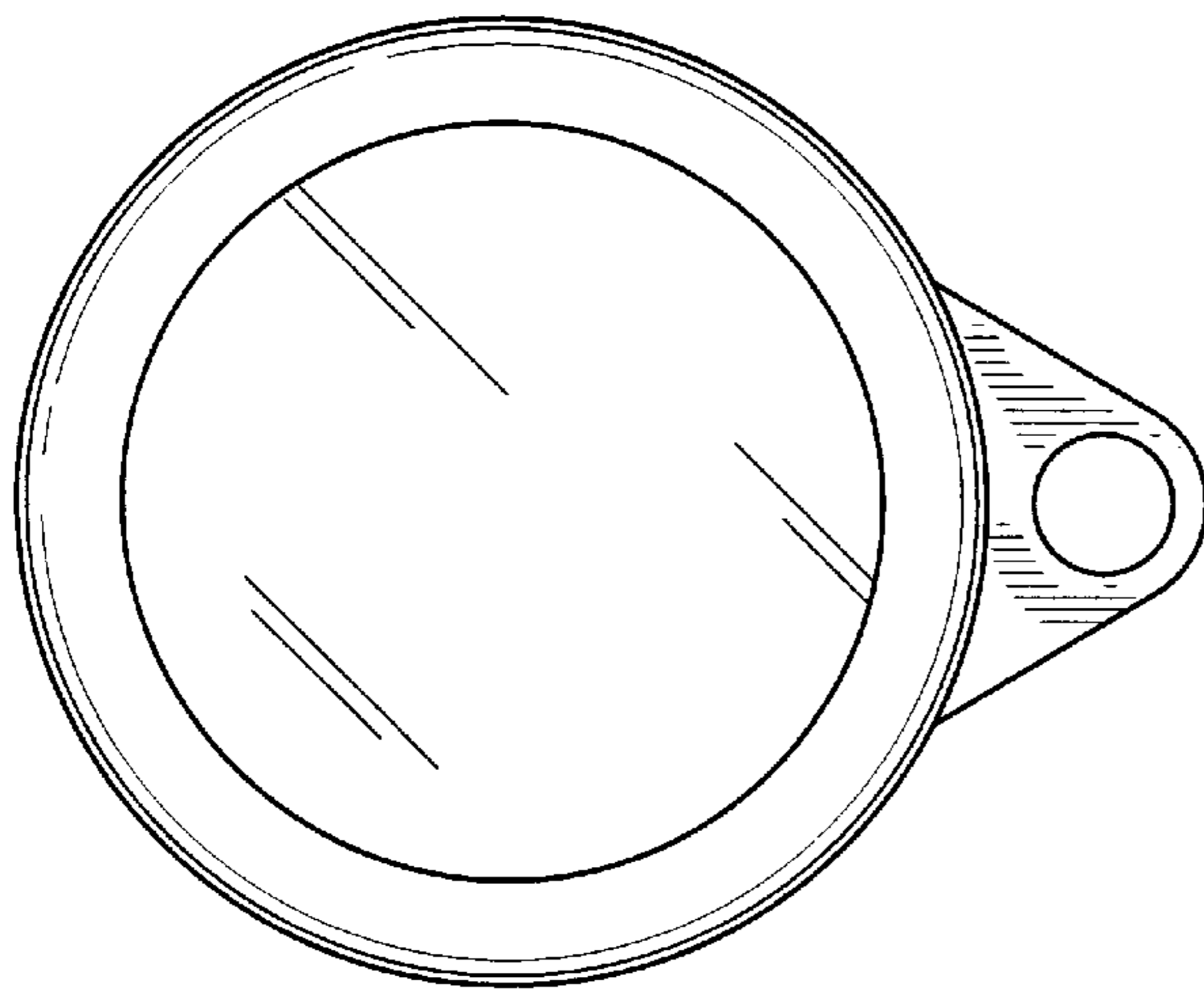
FIG. 7



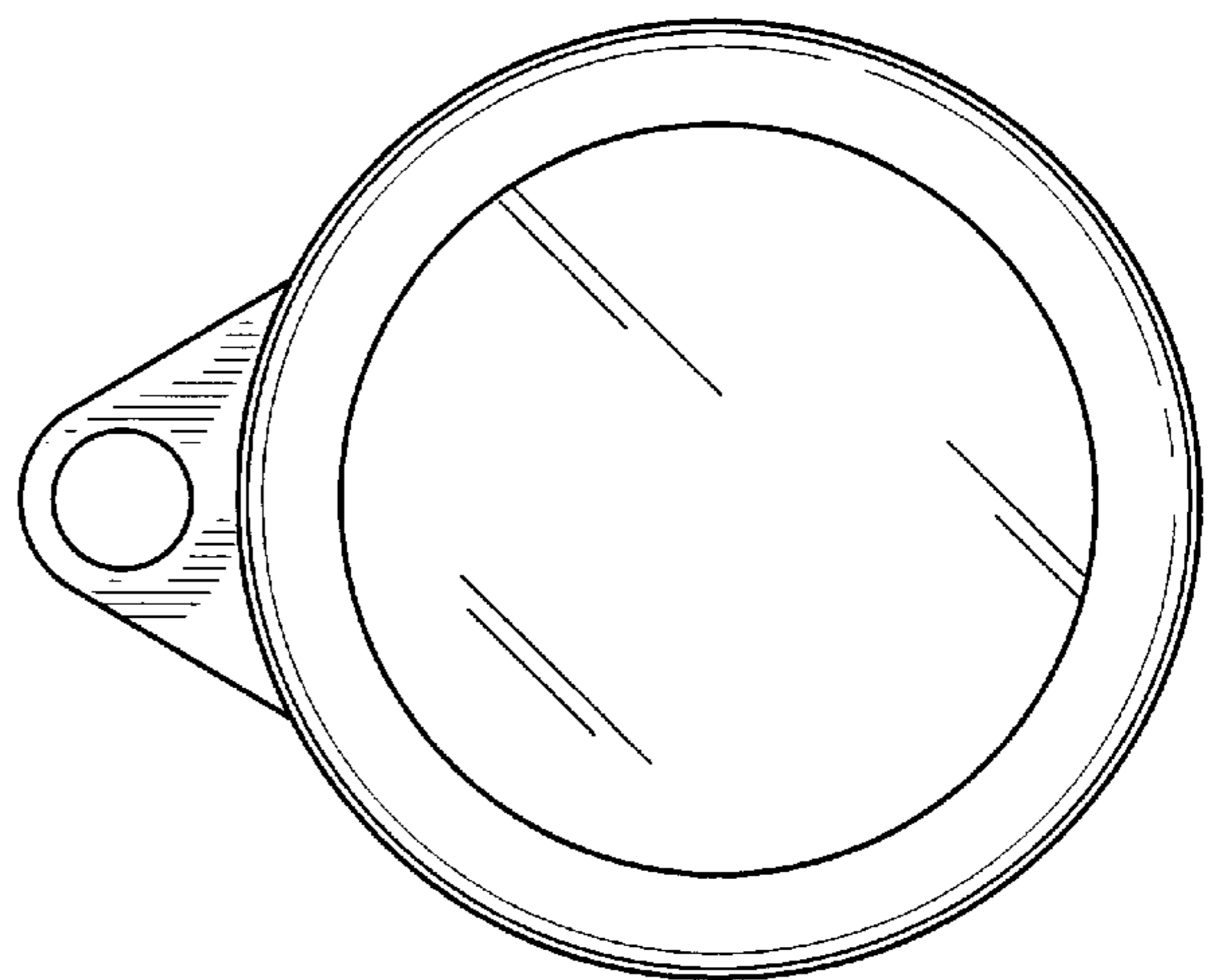
**FIG. 8**



**FIG. 9**



**FIG. 10**



**FIG. 11**

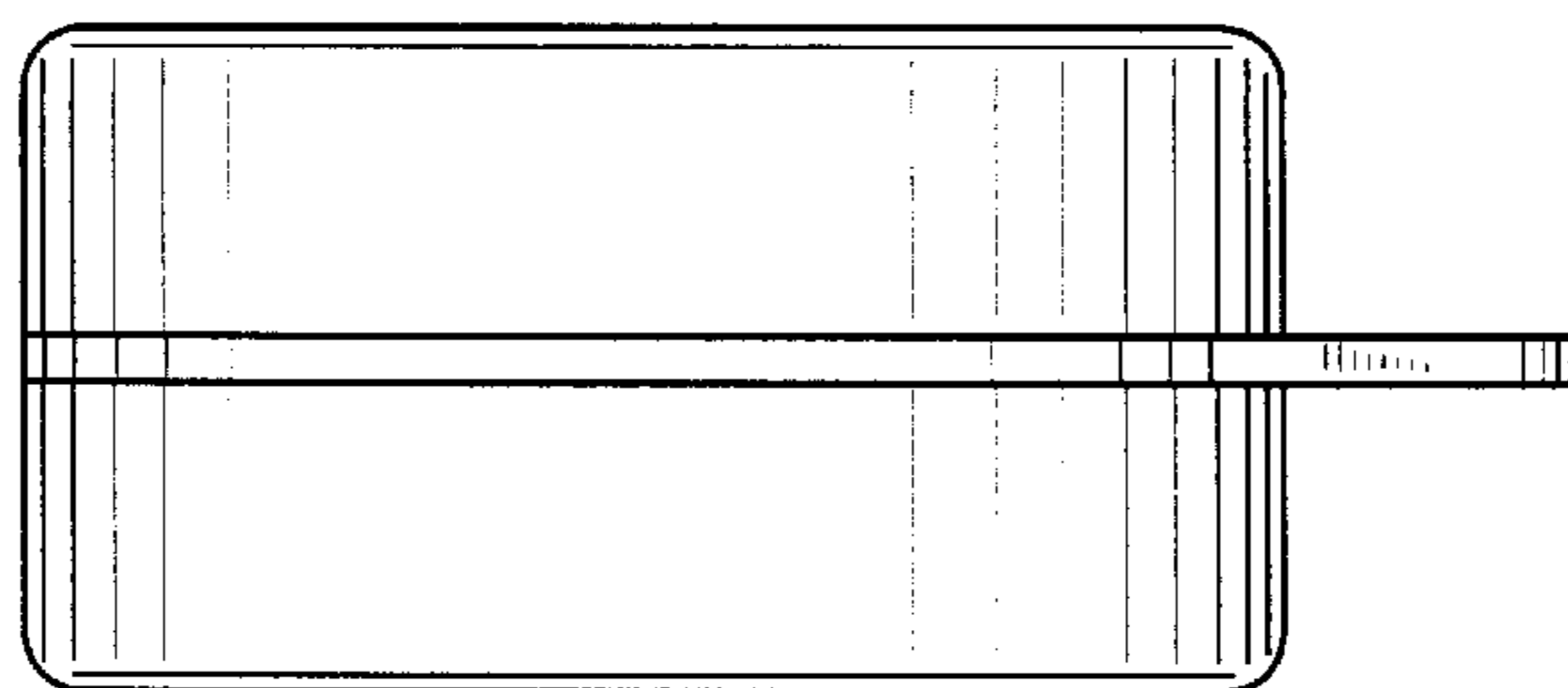




FIG. 12

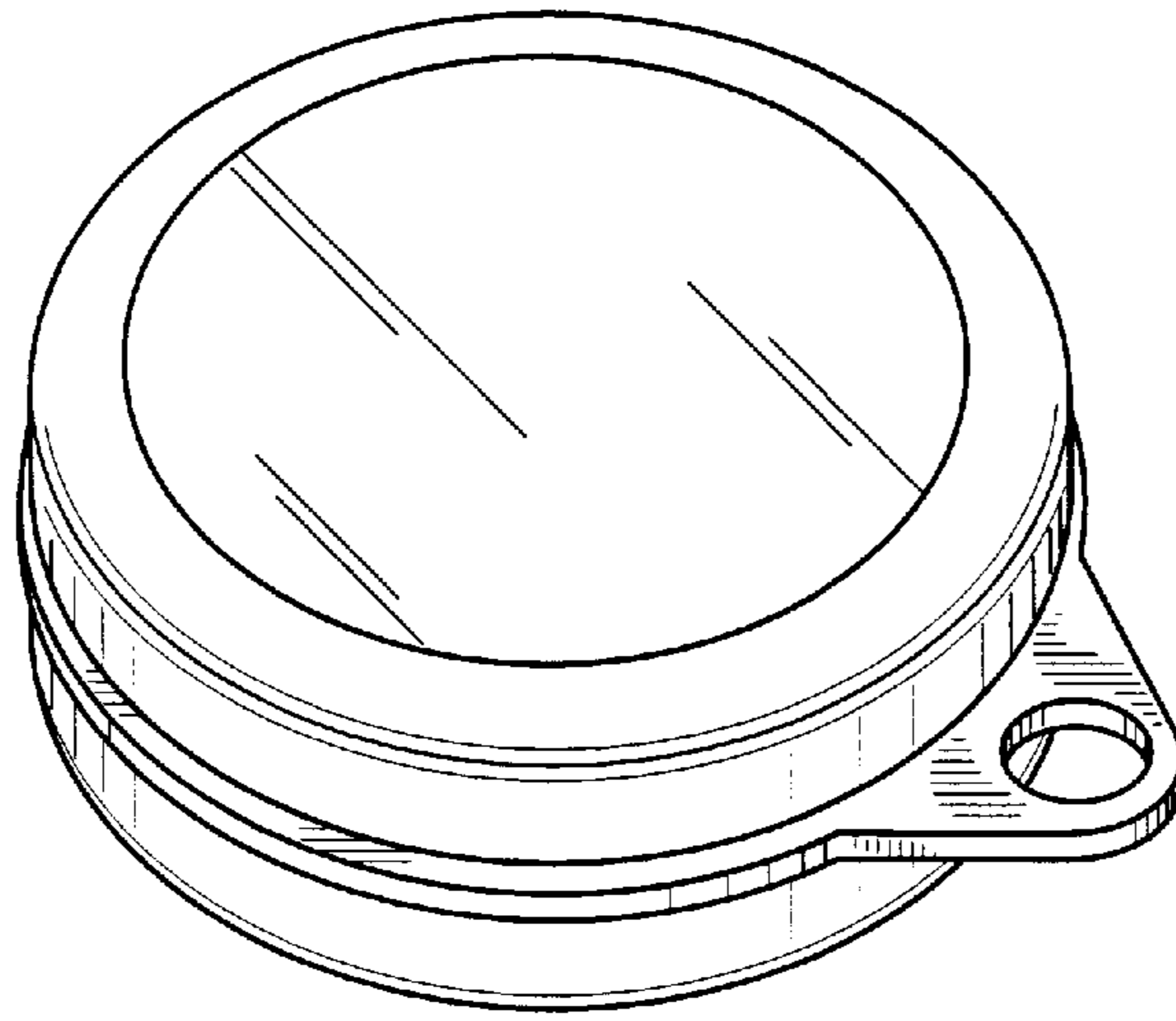


FIG. 13

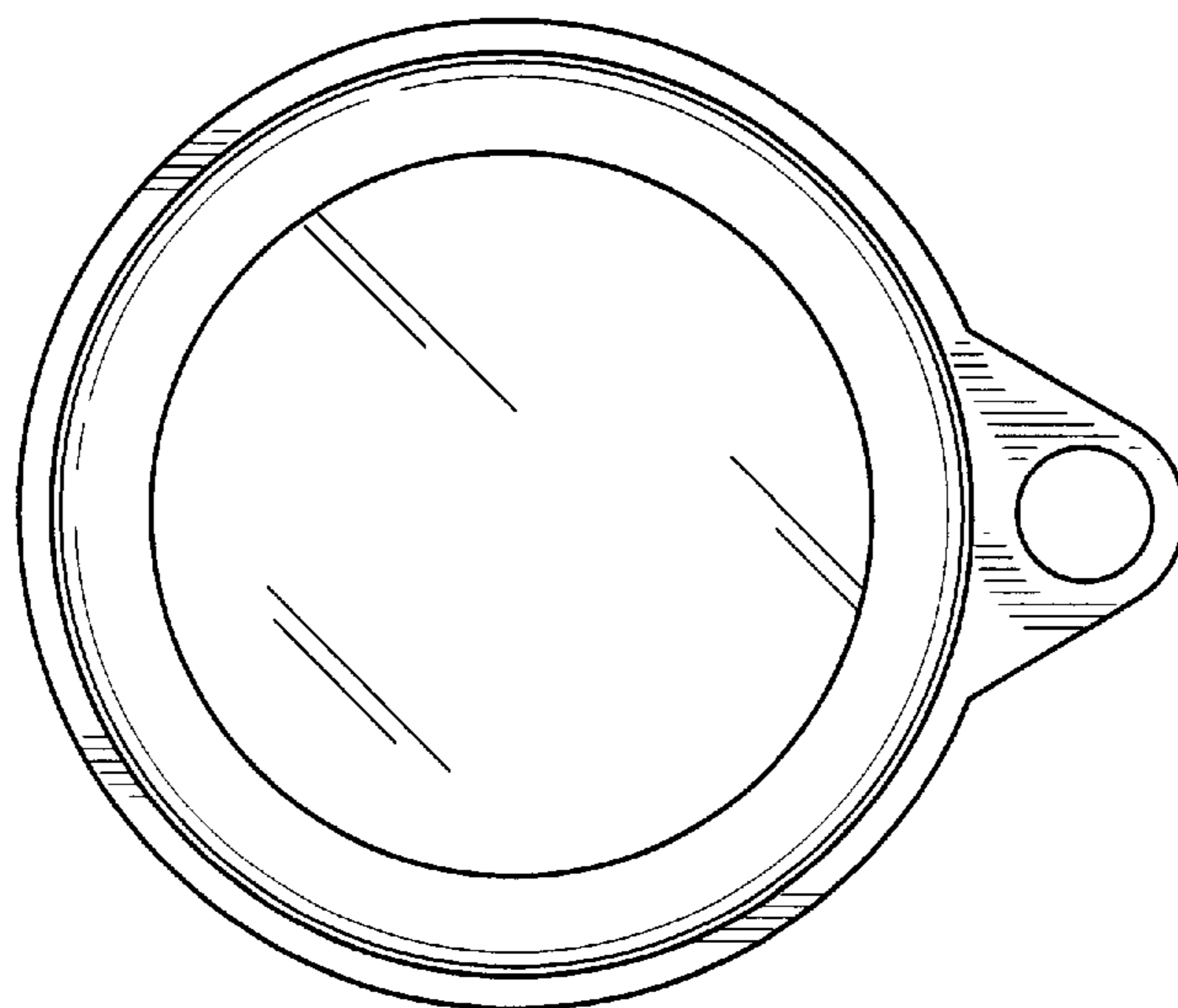


FIG. 14

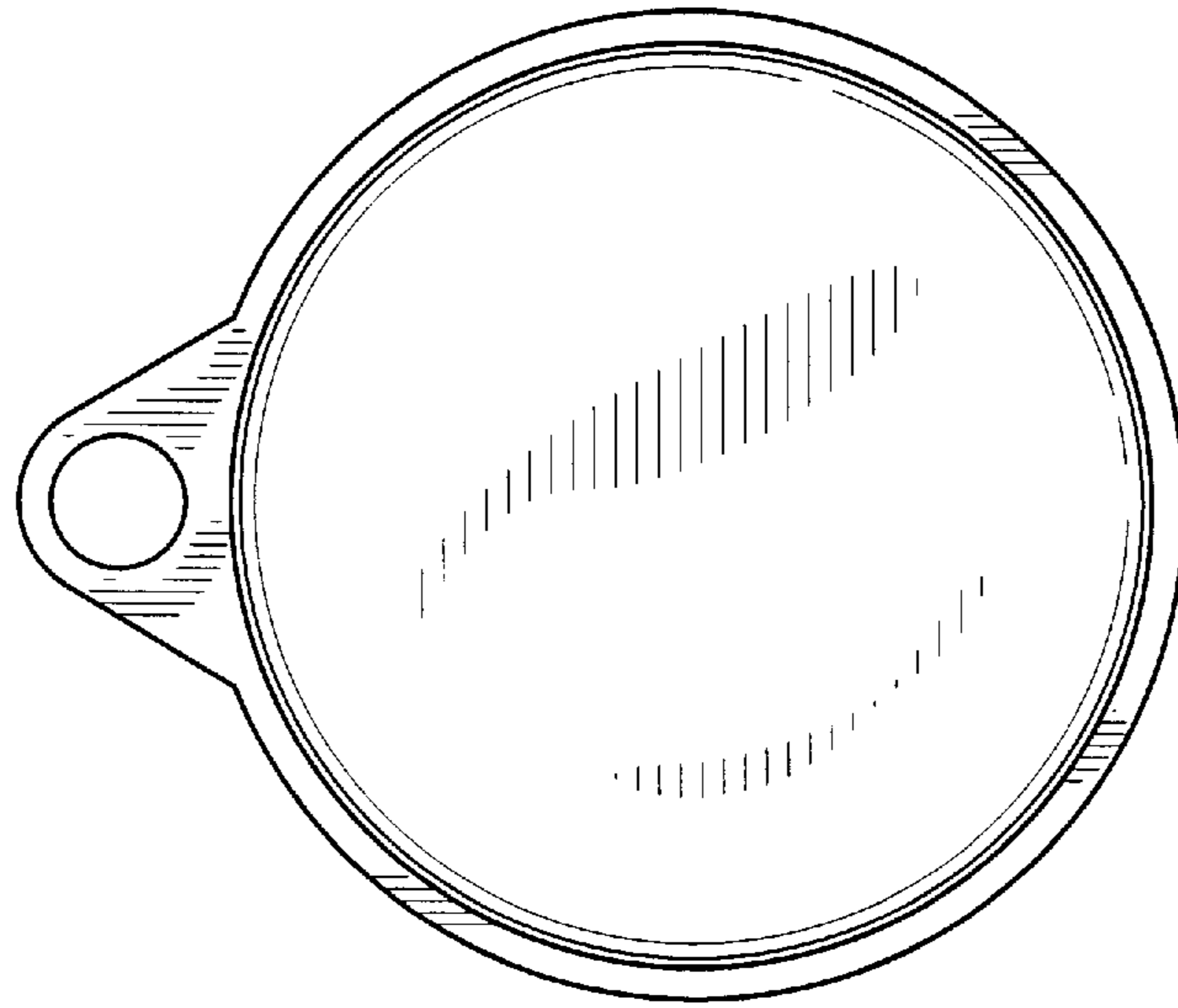


FIG. 15

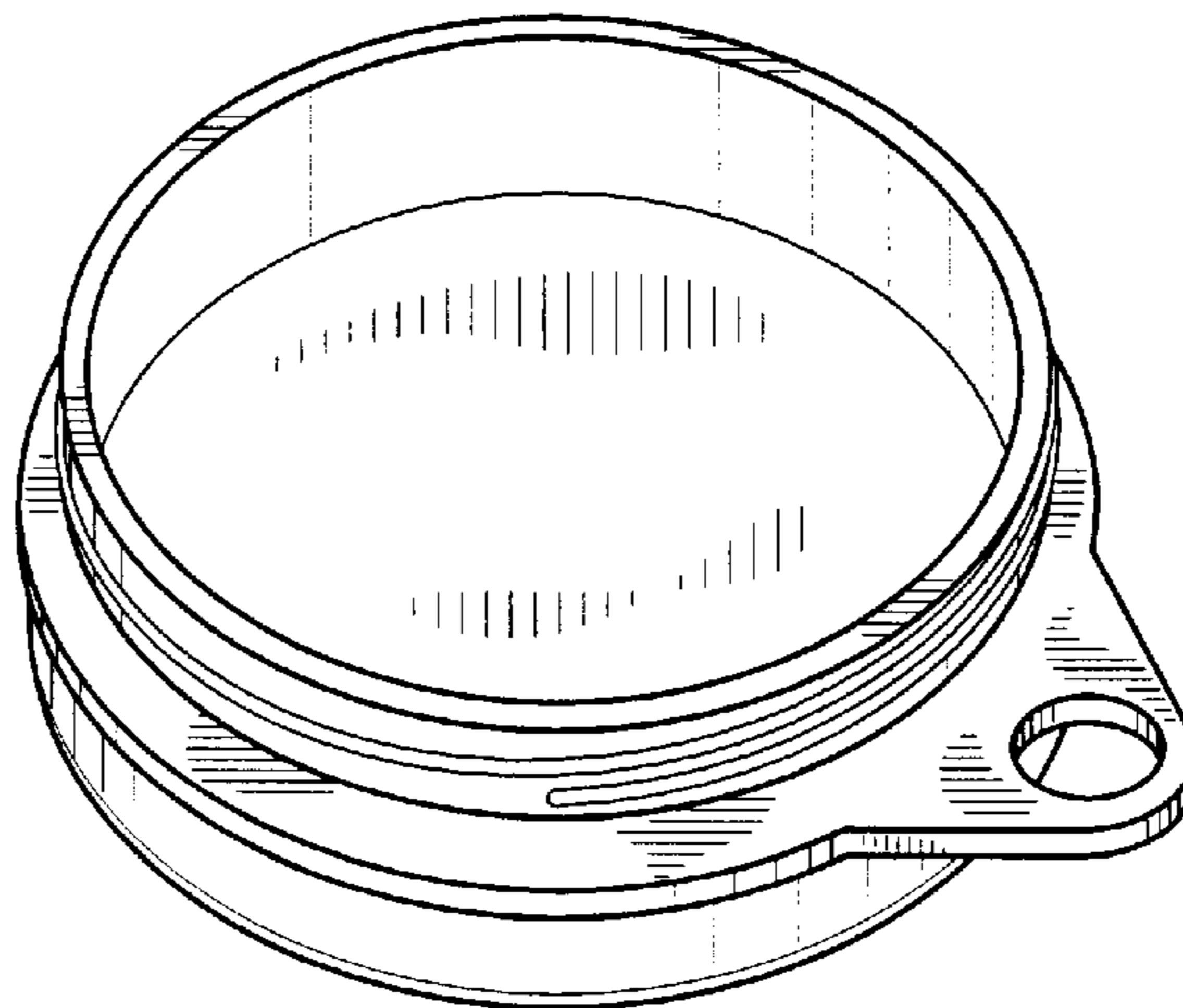


FIG. 16

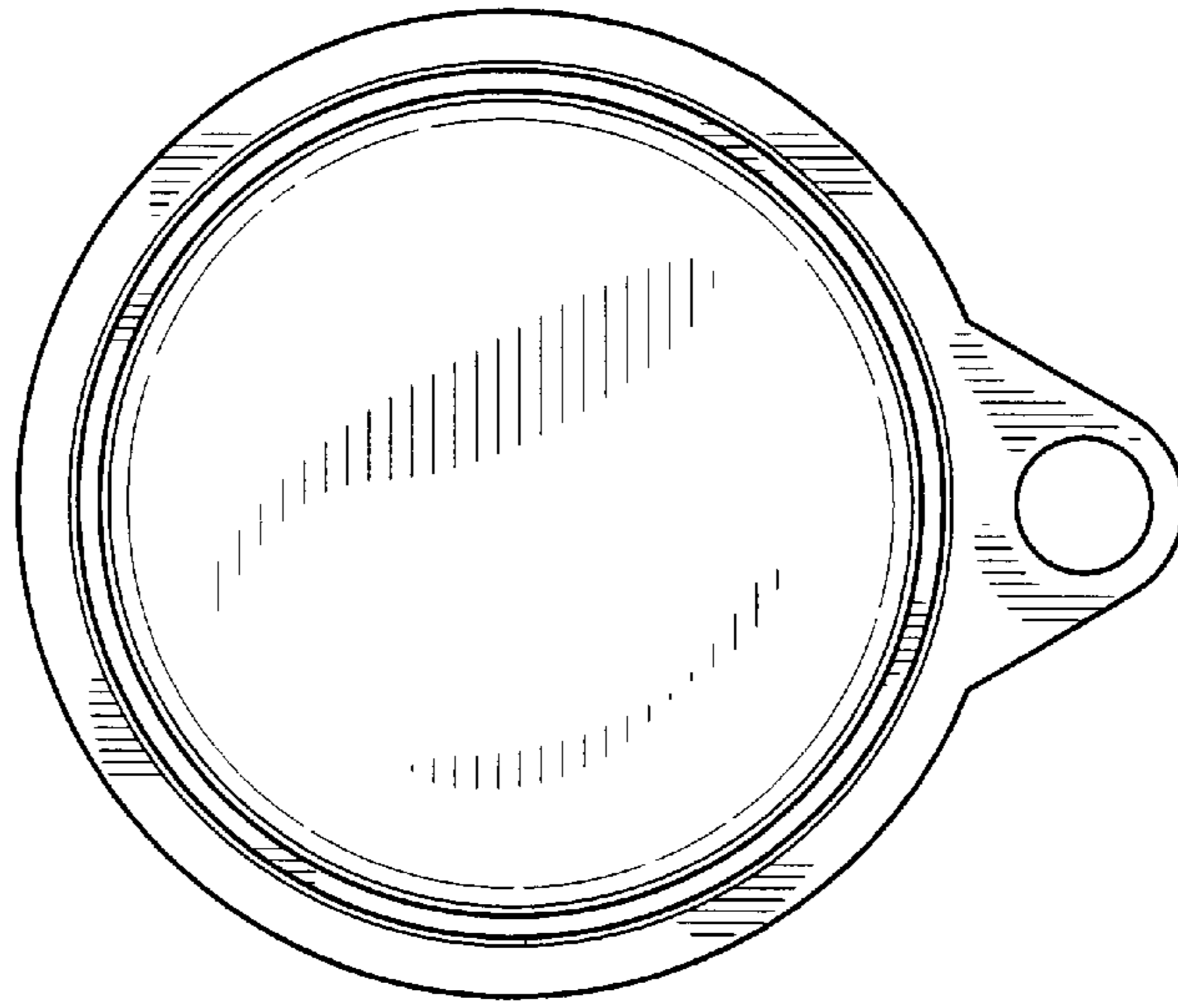


FIG. 17

