



US00D406392S

United States Patent [19] Walker

[11] **Patent Number: Des. 406,392**
[45] **Date of Patent: **Mar. 2, 1999**

[54] **EYE LASH CURLER**

5,309,640 5/1994 Caron 30/140
5,590,669 1/1997 McMullen 132/217

[76] Inventor: **Janine Walker**, Box 213, Nicktown,
Pa. 15762

FOREIGN PATENT DOCUMENTS

[**] Term: **14 Years**

1110619 2/1956 France 132/232
647084 10/1962 Italy 132/217
373627 5/1932 United Kingdom 219/225

[21] Appl. No.: **72,967**

Primary Examiner—Ted Shooman
Assistant Examiner—C. Tuttle

[22] Filed: **Jun. 26, 1997**

[51] **LOC (6) Cl.** **28-03**

[57] **CLAIM**

[52] **U.S. Cl.** **D28/36**

The ornamental design for a eye lash curler, as shown and described.

[58] **Field of Search** D28/36, 35; D8/57;
132/217, 216, 218, 224–229, 263, 269;
219/225, 227, 229, 90, 777; 30/140

DESCRIPTION

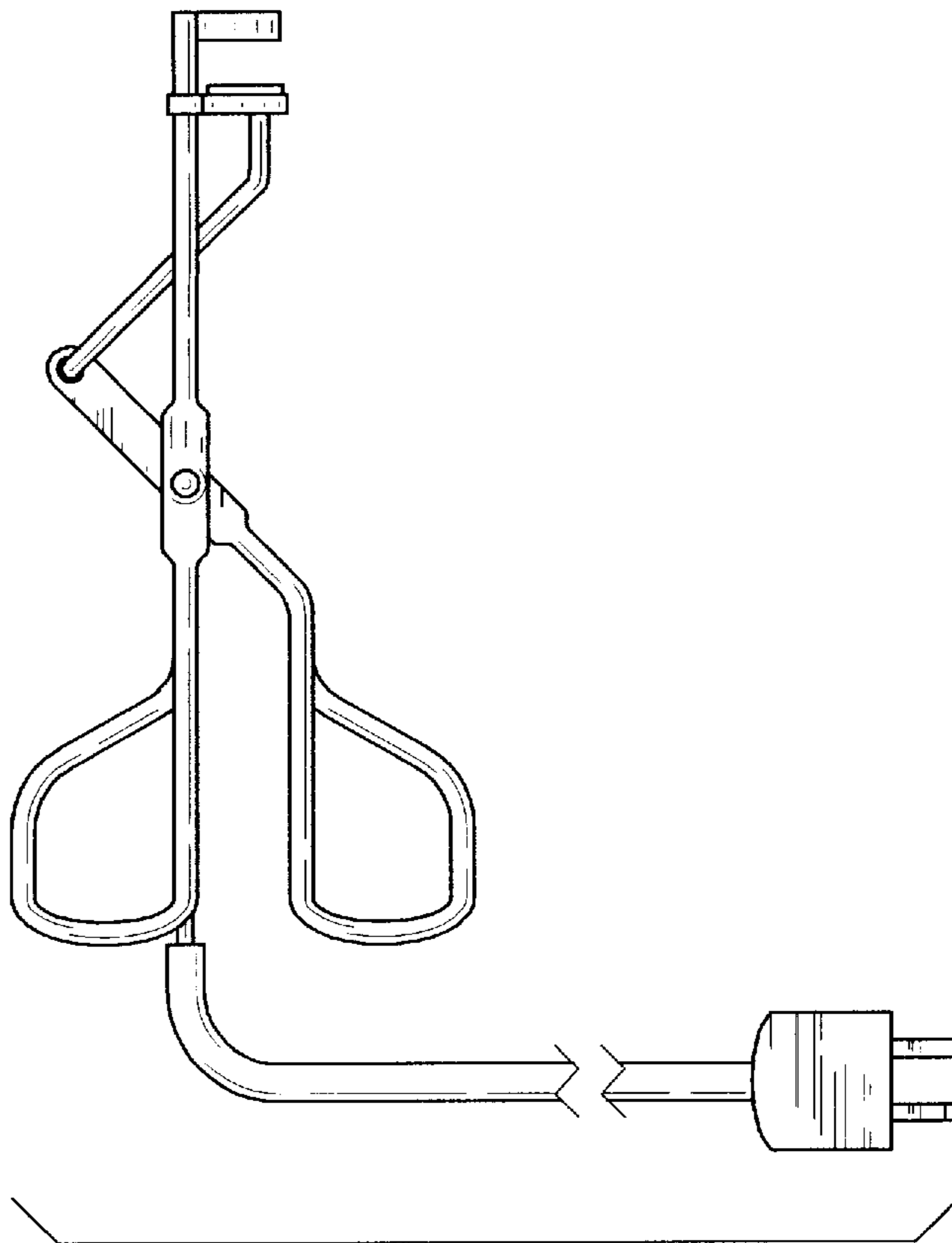
[56] **References Cited**

FIG. 1 is a left side elevational view of an eyelash curler showing my new design;
FIG. 2 is a right side elevational view thereof;
FIG. 3 is a rear elevational view thereof;
FIG. 4 is a front elevational view thereof;
FIG. 5 is a top plan view thereof; and,
FIG. 6 is a bottom plan view thereof.
The cord is shown partially broken away in the various views to indicate indeterminate length.

U.S. PATENT DOCUMENTS

D. 83,872	4/1931	McDonell et al.	D28/36
D. 242,081	10/1976	Pier	D28/36
1,904,575	4/1933	Tuttle et al.	132/317
2,400,696	5/1946	Jones	132/269
2,602,458	7/1952	Tuttle et al.	132/317
4,305,412	12/1981	Nist	132/317
4,791,944	12/1988	Stein	132/217
5,030,820	7/1991	Gibbon	131/229

1 Claim, 3 Drawing Sheets



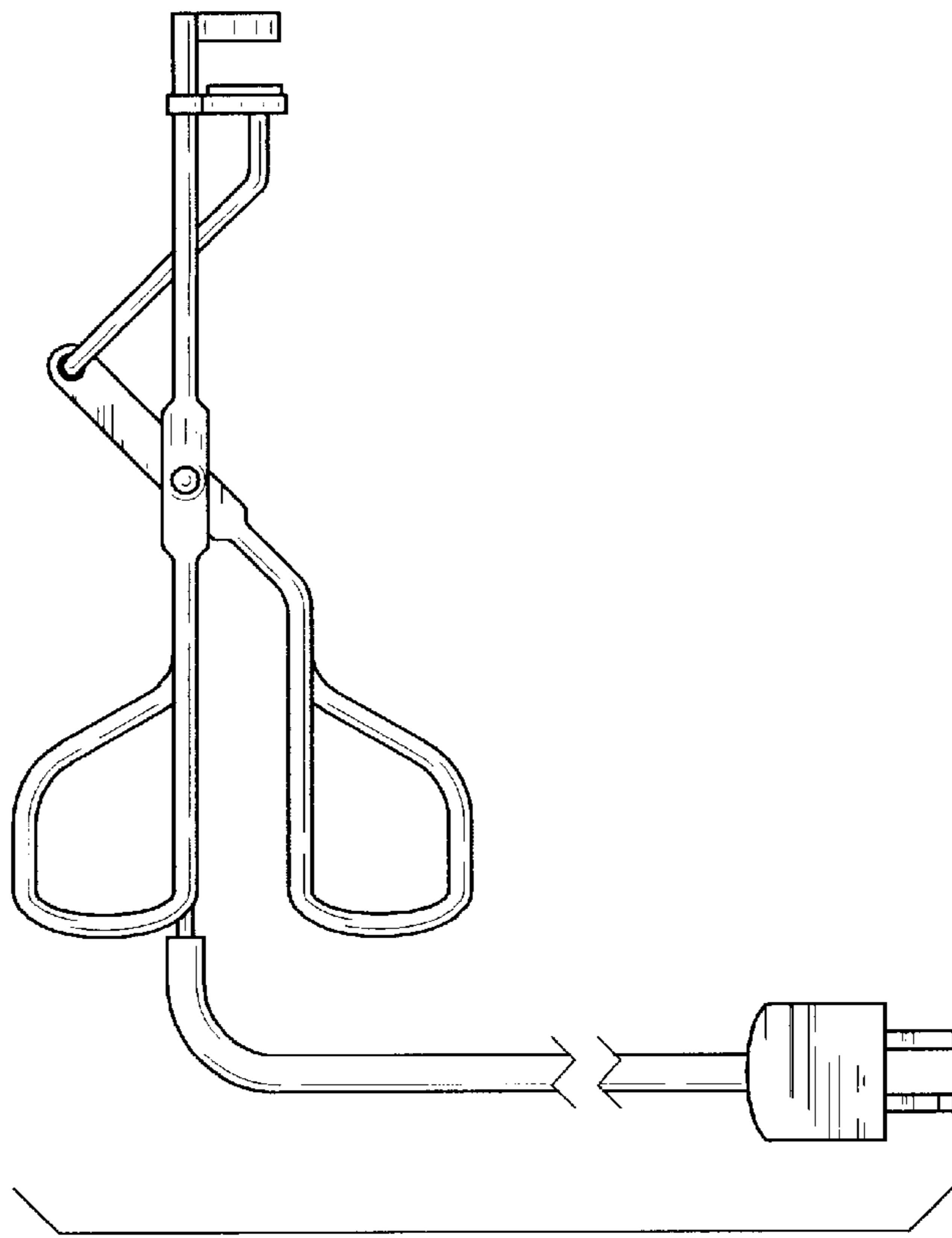


Fig. 1

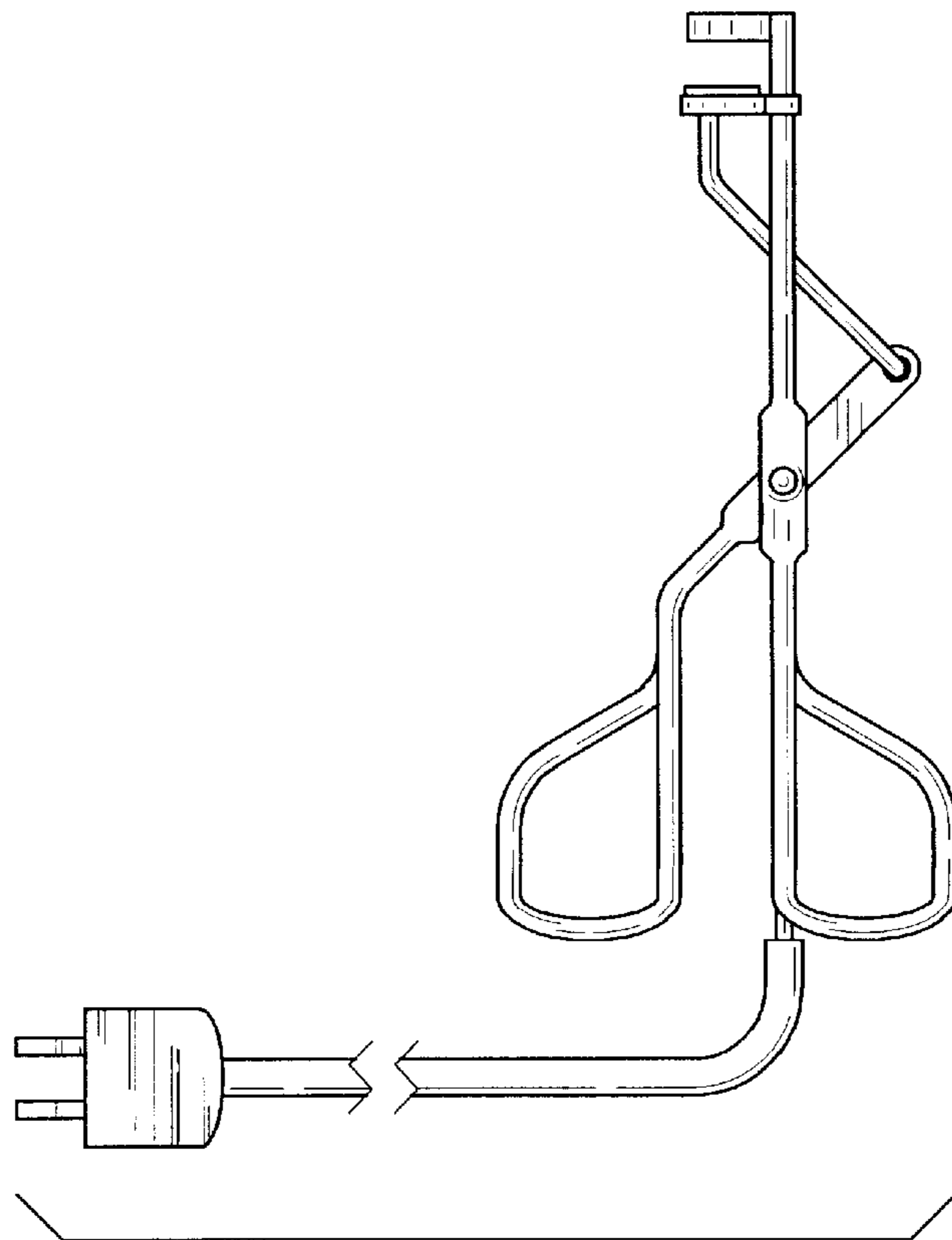


Fig. 2

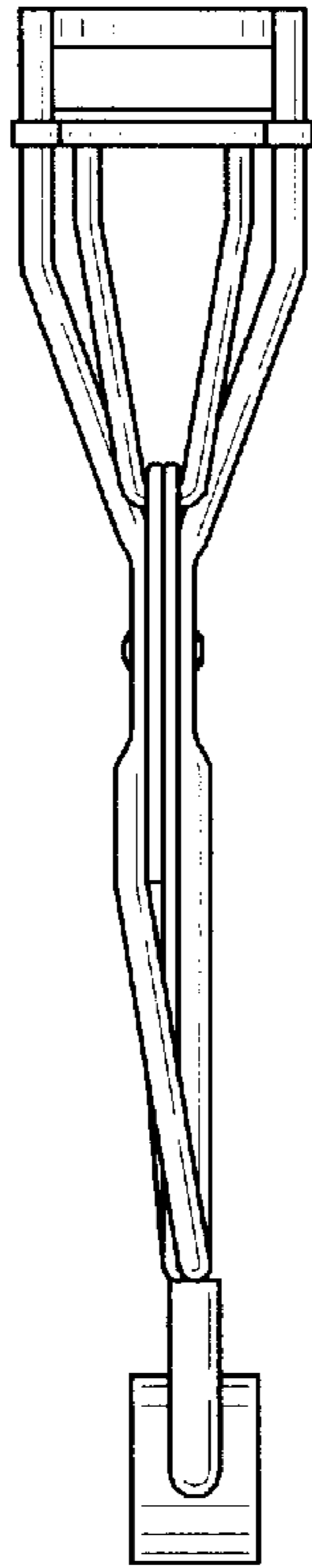


Fig. 3

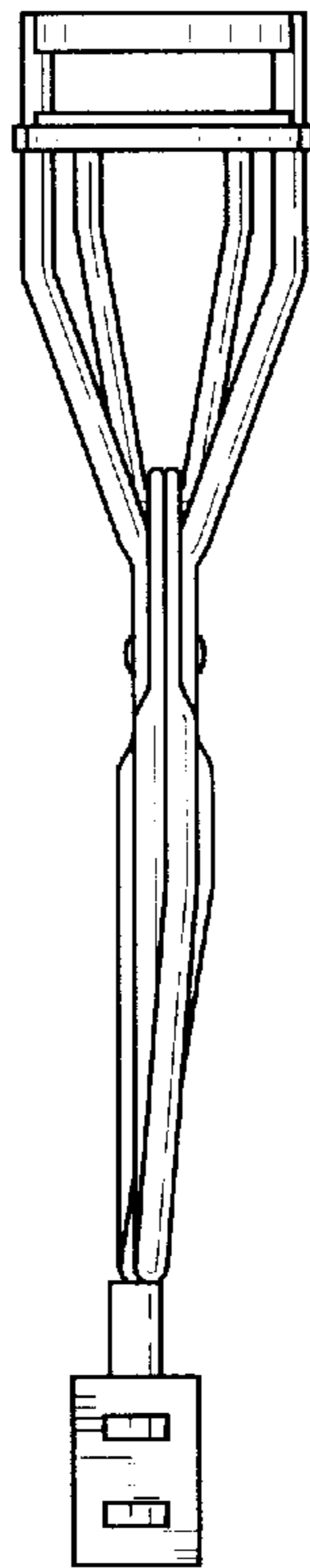


Fig. 4

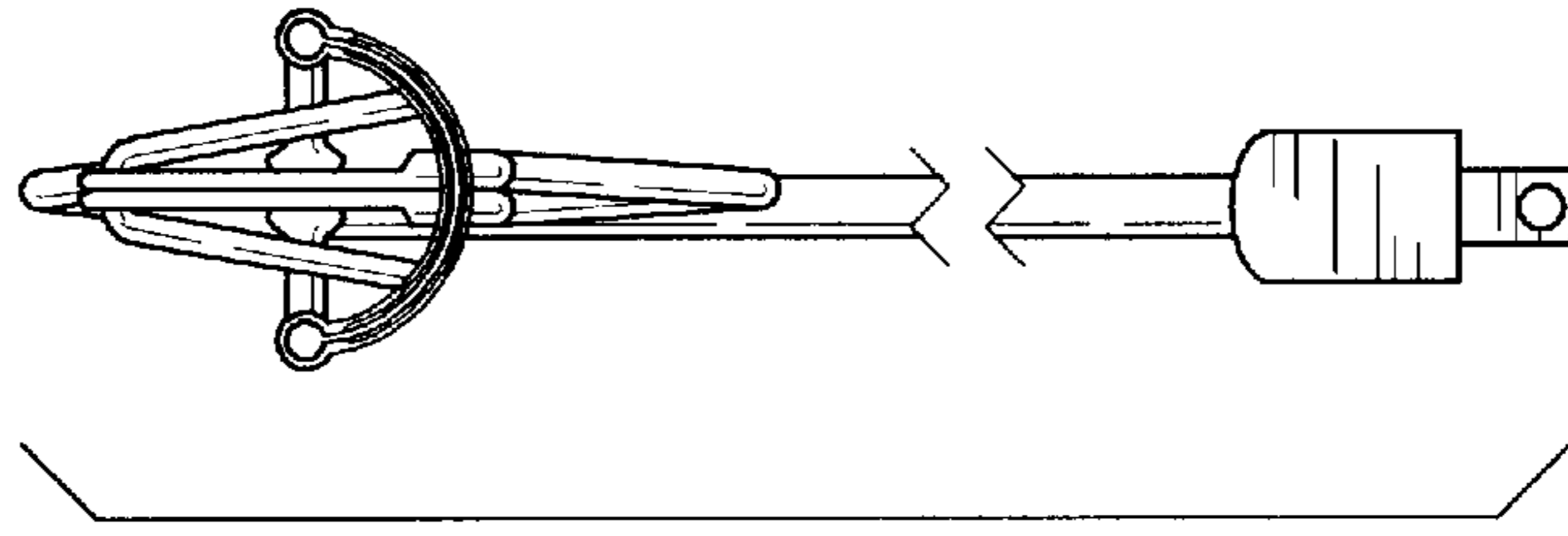


Fig. 5

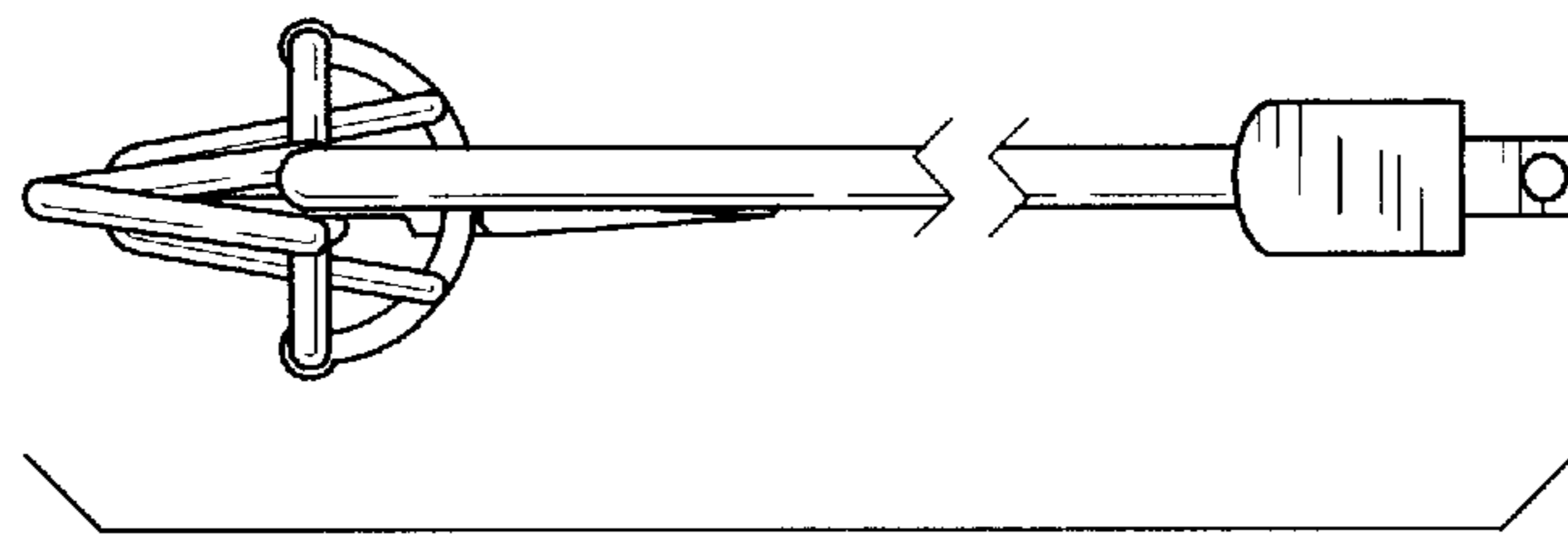


Fig. 6