



US00D406391S

United States Patent [19]

Lucero

[11] Patent Number: Des. 406,391

[45] Date of Patent: ***Mar. 2, 1999

[54] **TOOL FOR PRECISION HAIRCUTTING**

[76] Inventor: **Sally C. Lucero**, 5931 S. Datura Ct., Littleton, Colo. 80120

[*] Notice: The term of this patent shall not extend beyond the expiration date of Pat. No. D. 405,227.

[**] Term: **14 Years**

[21] Appl. No.: **71,562**

[22] Filed: **Jun. 2, 1997**

[51] **LOC (6) Cl.** **28-03**

[52] **U.S. Cl.** **D28/25; D28/21; D28/44**

[58] **Field of Search** **D28/21, 25; 132/219, 132/198, 213, 213.1, 214, 158, 159**

[56] **References Cited**

U.S. PATENT DOCUMENTS

D. 109,067	3/1938	Lipic, Jr.	D28/21
279,227	6/1883	Cullinan	132/141 X
D. 283,057	3/1986	Rogers	D28/25
531,468	12/1894	Noyes	132/141 X
686,198	11/1901	Boyard	132/162
1,608,581	11/1926	Caruso	132/158 X
1,632,238	6/1927	Lister	132/158
2,231,077	2/1941	Lambert	D28/21 X
2,589,469	3/1952	Zerbo	132/219
2,605,773	8/1952	Auclair	.	
2,786,477	3/1957	Cohen	.	
2,879,777	3/1959	Miller	.	
3,029,509	4/1962	Peters	D28/25 X
3,628,545	12/1971	Moody	D28/21 X

4,368,745	1/1983	McGuffey	.	
4,517,998	5/1985	Furco	.	
4,605,020	8/1986	Lavoie	.	
4,905,717	3/1990	Taylor et al.	132/148
5,107,869	4/1992	Henry	132/213.1

FOREIGN PATENT DOCUMENTS

431720	11/1911	France	132/148
--------	---------	--------	-------	---------

OTHER PUBLICATIONS

Hong Kong Enterprise Dec. 1980, p. 303 –item Nos. 240 and 240A.

Hong Kong Enterprise Jun. 1993, p. 933 –comb indicated by arrow.

Primary Examiner—Philip S. Hyder
Assistant Examiner—C. Tuttle
Attorney, Agent, or Firm—William E. Hein

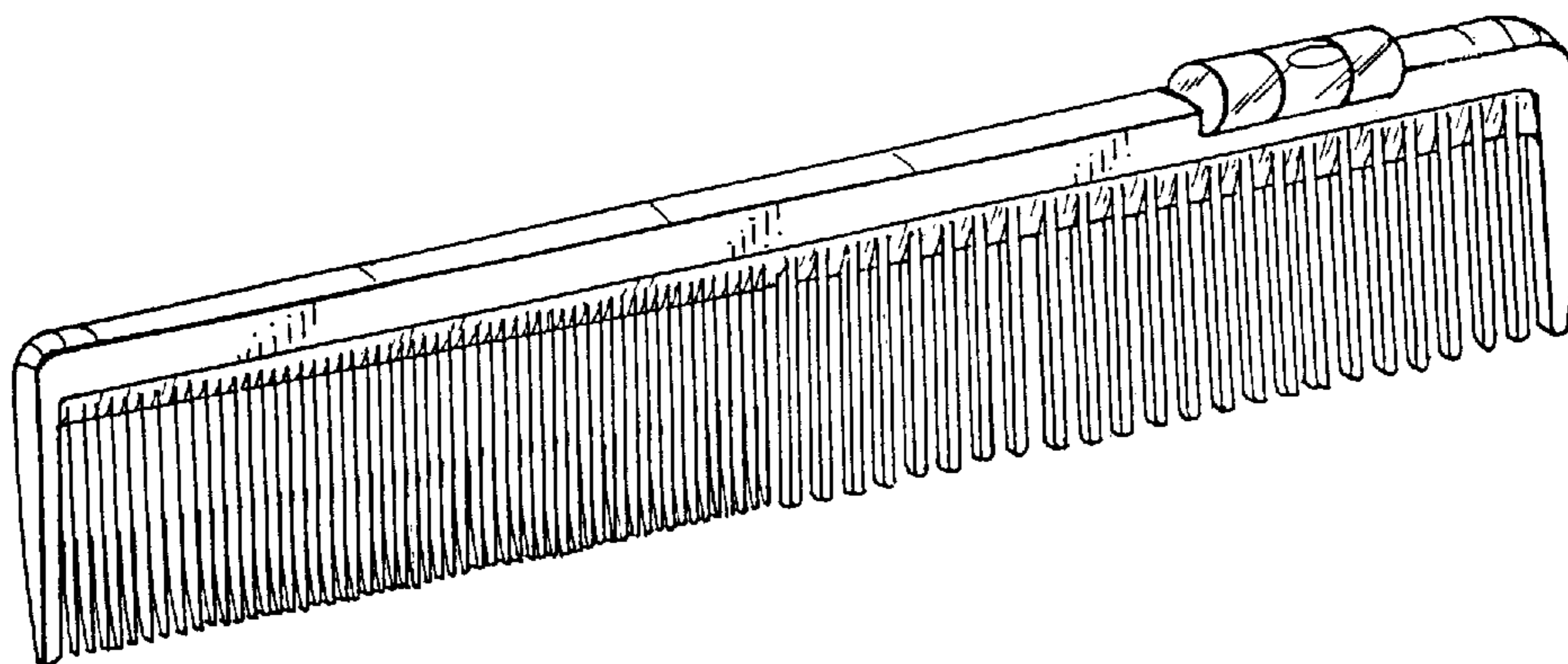
[57] **CLAIM**

The ornamental design for a tool for precision haircutting, as shown and described.

DESCRIPTION

FIG. 1 is a front perspective view of a tool for precision haircutting, showing my new design;
FIG. 2 is a front elevation view, the rear elevation view being a mirror image thereof;
FIG. 3 is a top plan view;
FIG. 4 is a left side elevation view; and,
FIG. 5 is a right side elevation view.
The undisclosed bottom edge of the spine forms no part of the claimed design.

1 Claim, 1 Drawing Sheet



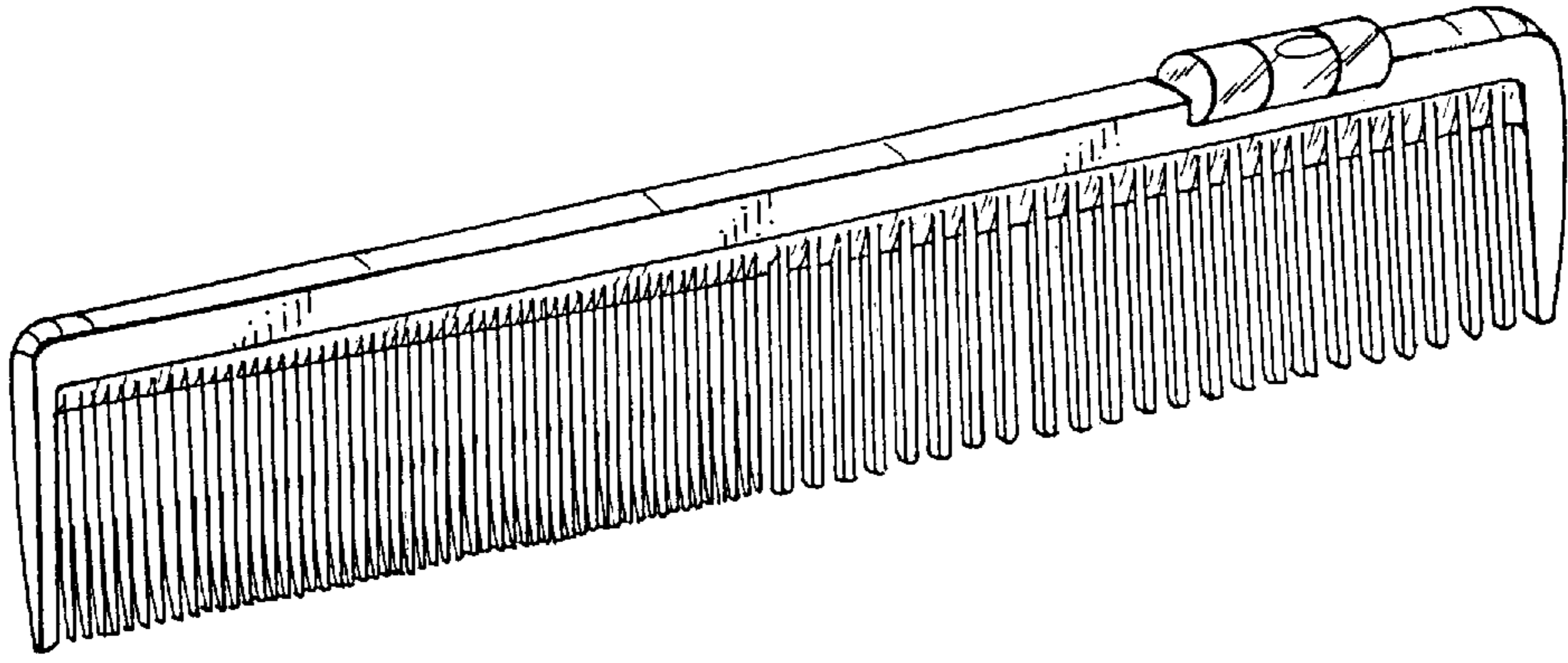


FIG. 1

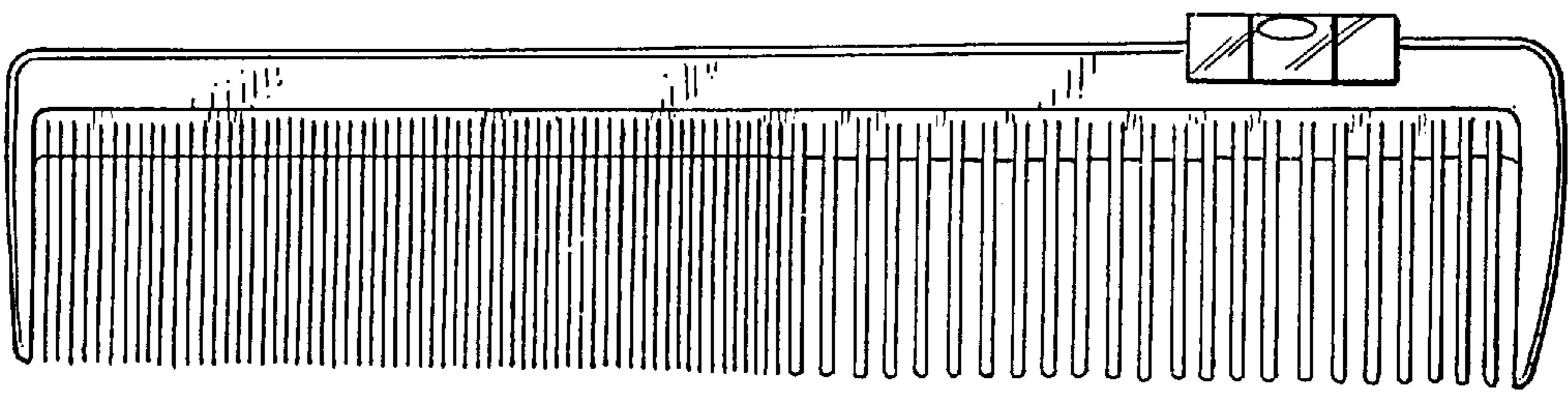


FIG. 2

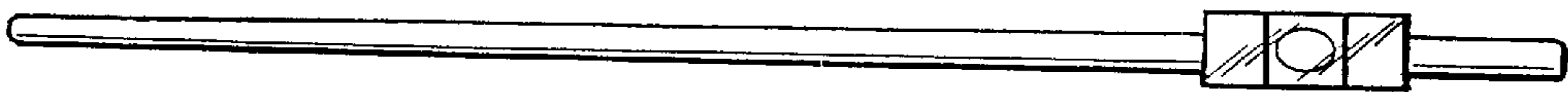


FIG. 3



FIG. 4



FIG. 5