



US00D406385S

United States Patent [19]

Davis, Jr.

[11] **Patent Number: Des. 406,385**

[45] **Date of Patent: **Mar. 2, 1999**

[54] **SUPPORT ARM FOR LIGHTING FIXTURE**

[75] Inventor: **William S. Davis, Jr.**, Fort Worth, Tex.

[73] Assignee: **Davoil, Inc.**, Fort Worth, Tex.

[**] Term: **14 Years**

[21] Appl. No.: **81,629**

[22] Filed: **Jan. 7, 1998**

[51] **LOC (6) Cl.** **26-99**

[52] **U.S. Cl.** **D26/145**

[58] **Field of Search** D26/87, 92, 140,
D26/142, 145, 152, 155; 362/147, 432

[56] **References Cited**

U.S. PATENT DOCUMENTS

- D. 58,721 8/1921 Dahl D26/145
- D. 62,319 5/1923 Crowell D26/155
- D. 66,056 11/1924 Abrams D26/145

D. 123,876 12/1940 Elting D26/145

Primary Examiner—Susan J. Lucas
Attorney, Agent, or Firm—Felsman, Bradley, Gunter & Dillon, LLP

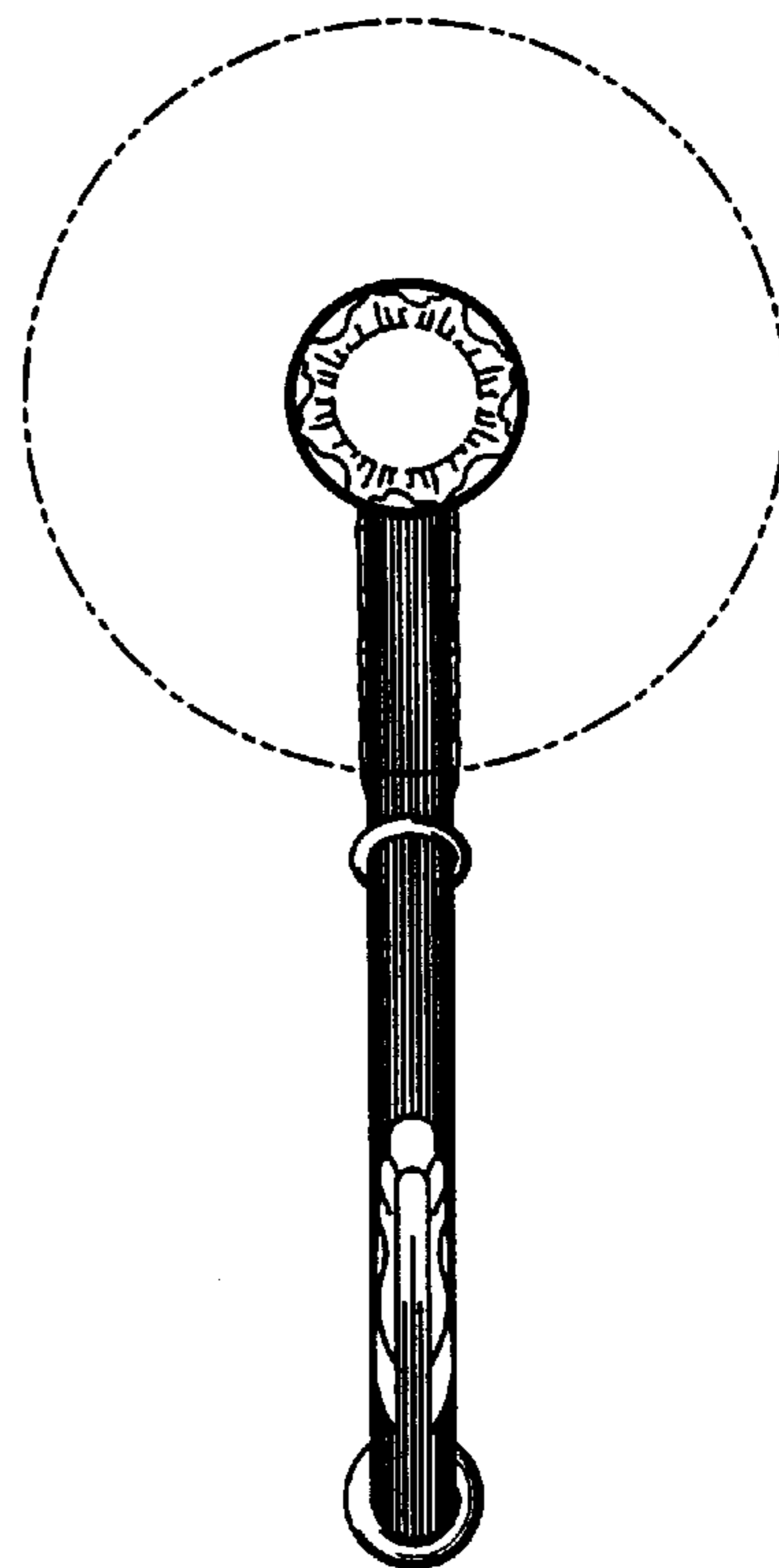
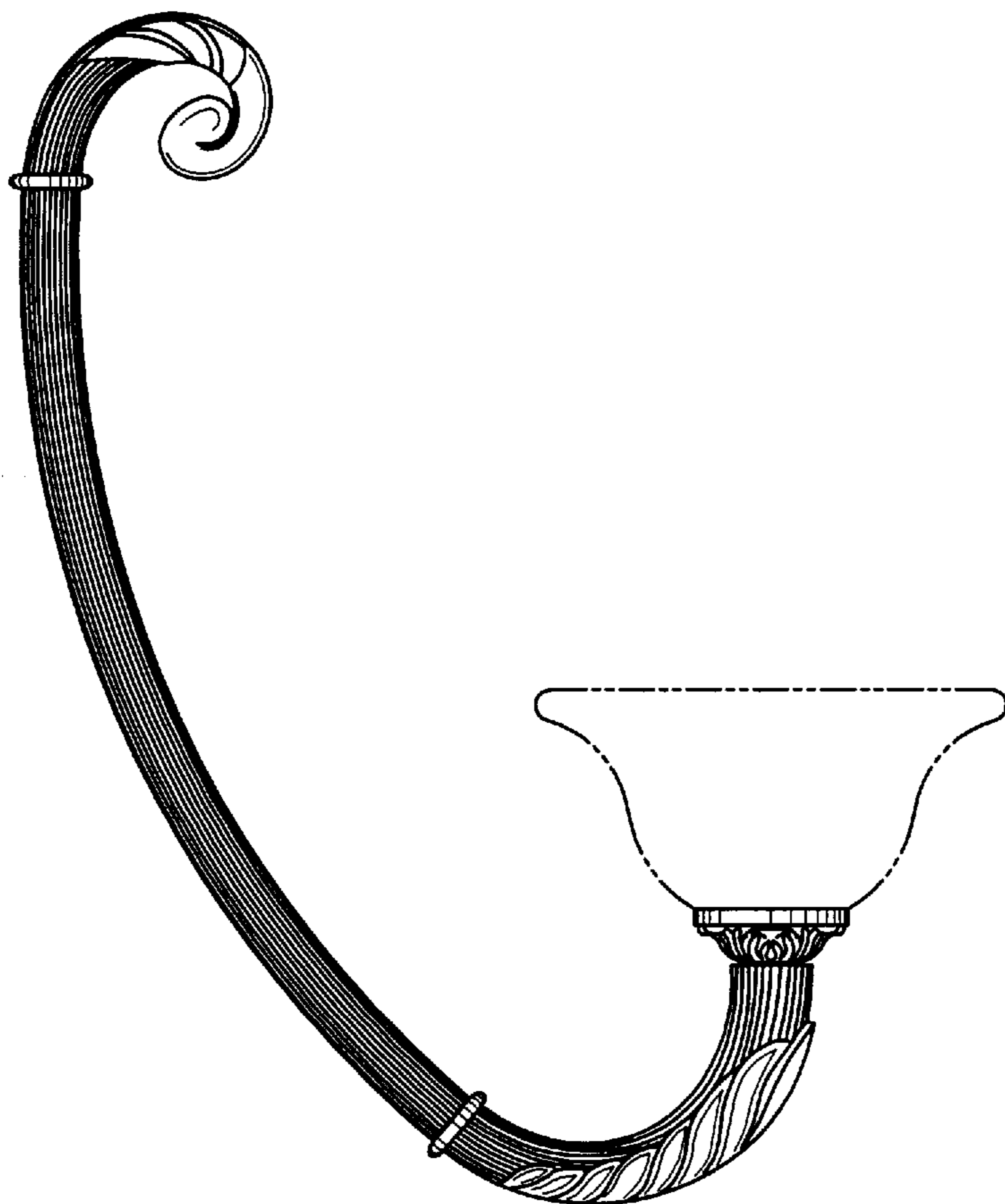
[57] **CLAIM**

The ornamental design for a support arm for lighting fixture, as shown and described.

DESCRIPTION

FIG. 1 is a front view of the lighting fixture support arm; FIG. 2 is a top view of the lighting fixture support arm; FIG. 3 is a rear view of the lighting fixture support arm; FIG. 4 is a bottom view of the lighting fixture support arm; FIG. 5 is a side view of the lighting fixture support arm; and, FIG. 6 is a left side view of the lighting fixture support arm. The broken lines are shown for illustrative purposes only and form no part of the claimed design.

1 Claim, 3 Drawing Sheets



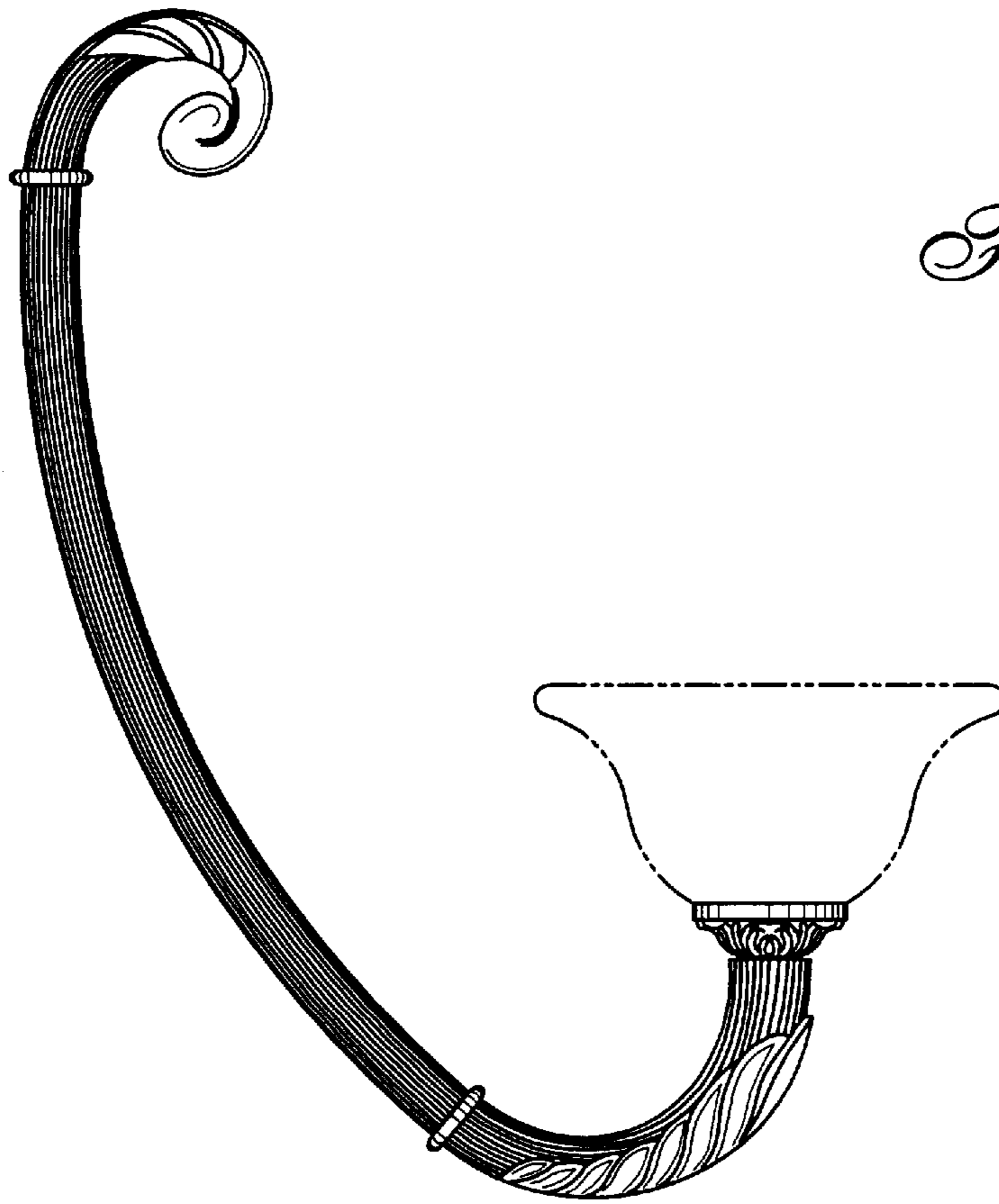


Fig. 1

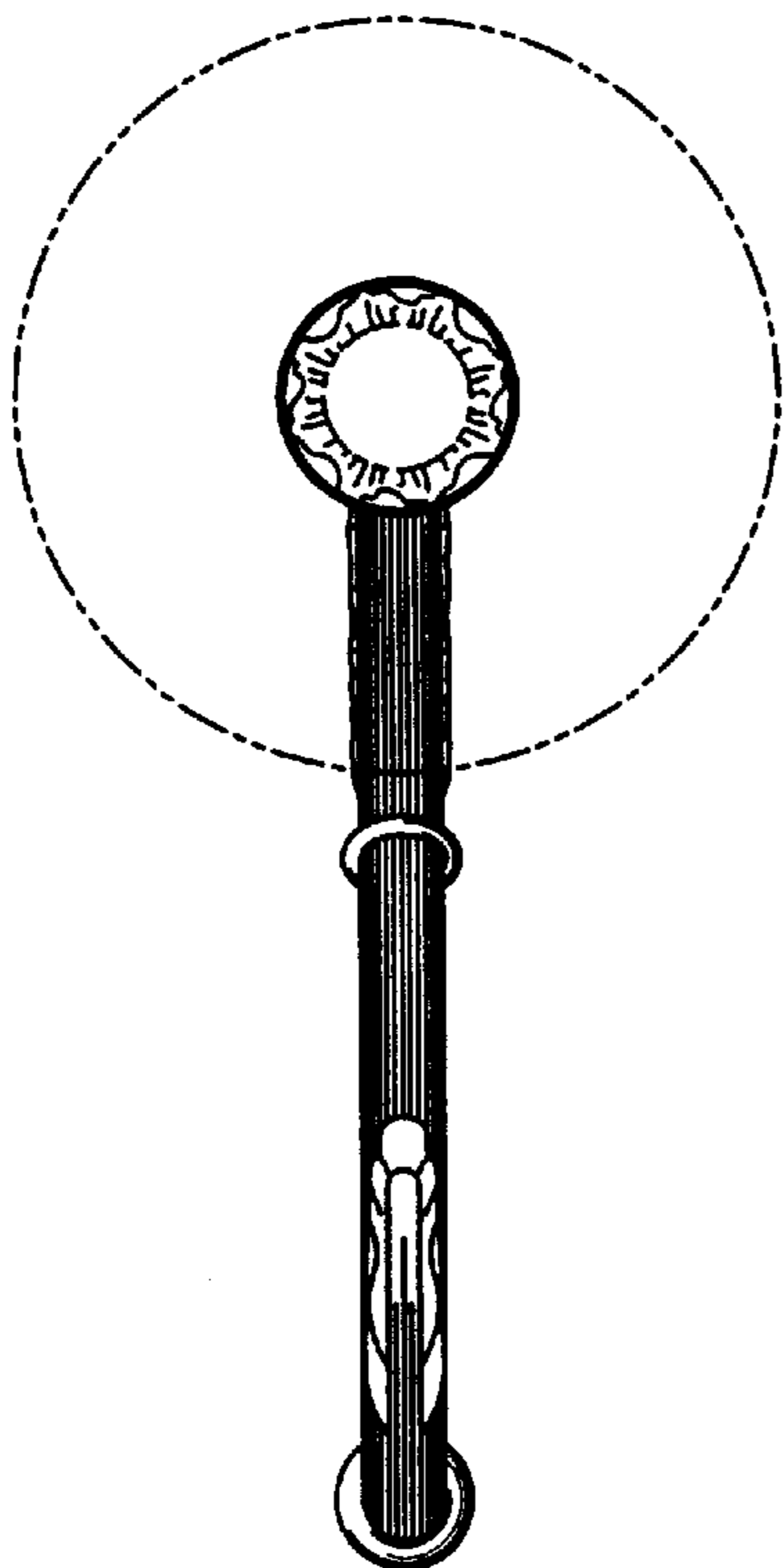


Fig. 2

Fig. 3

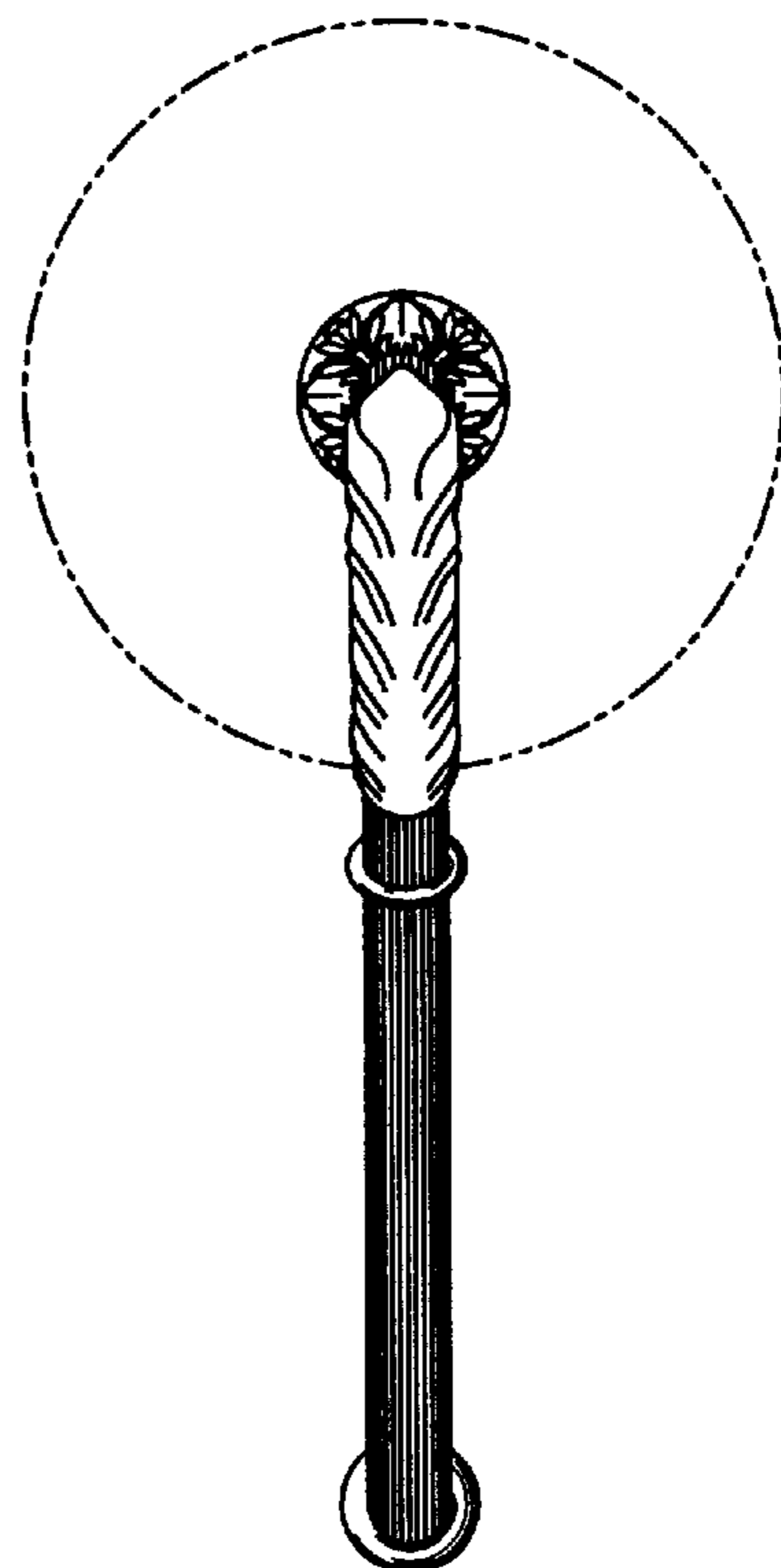
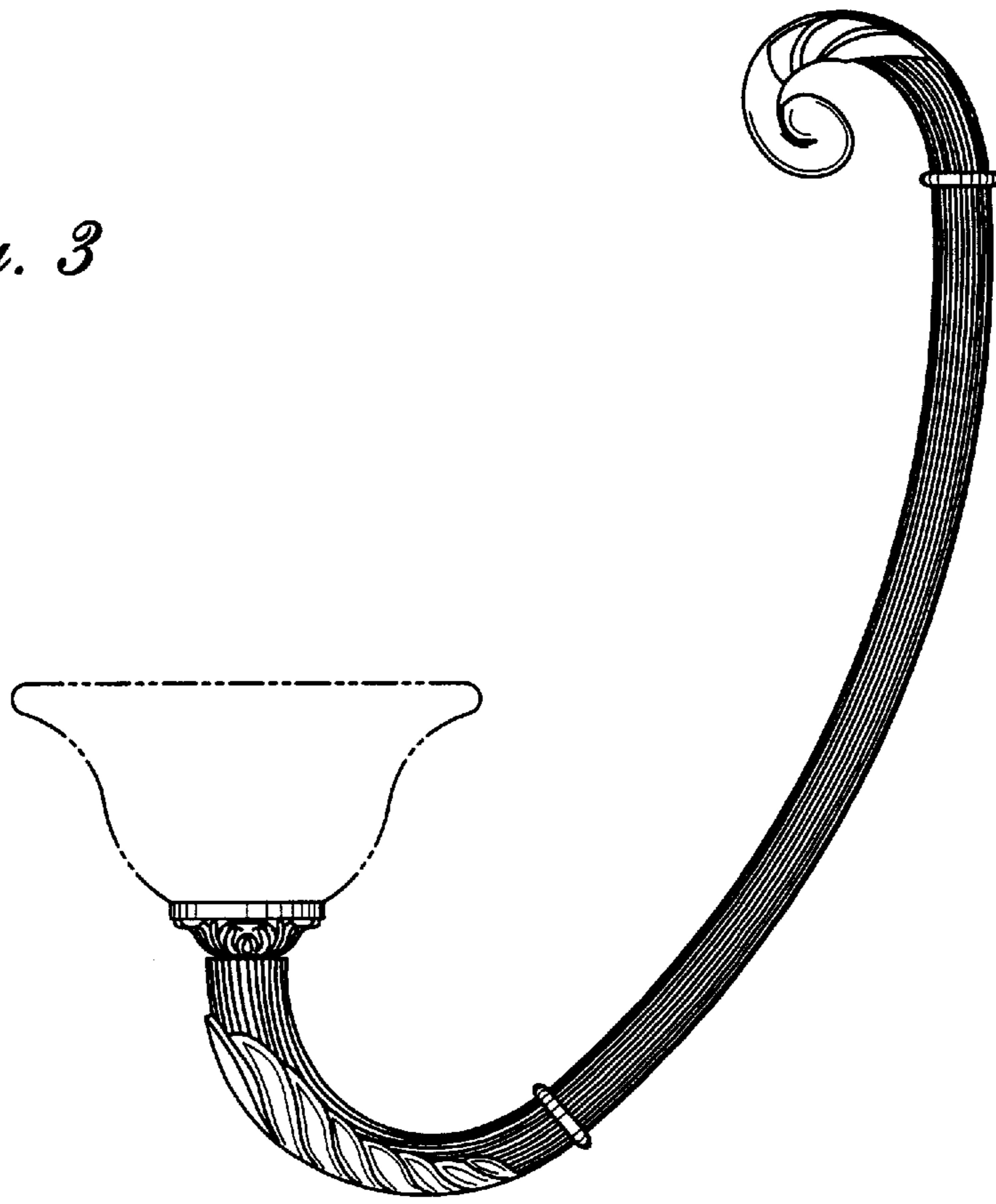


Fig. 4

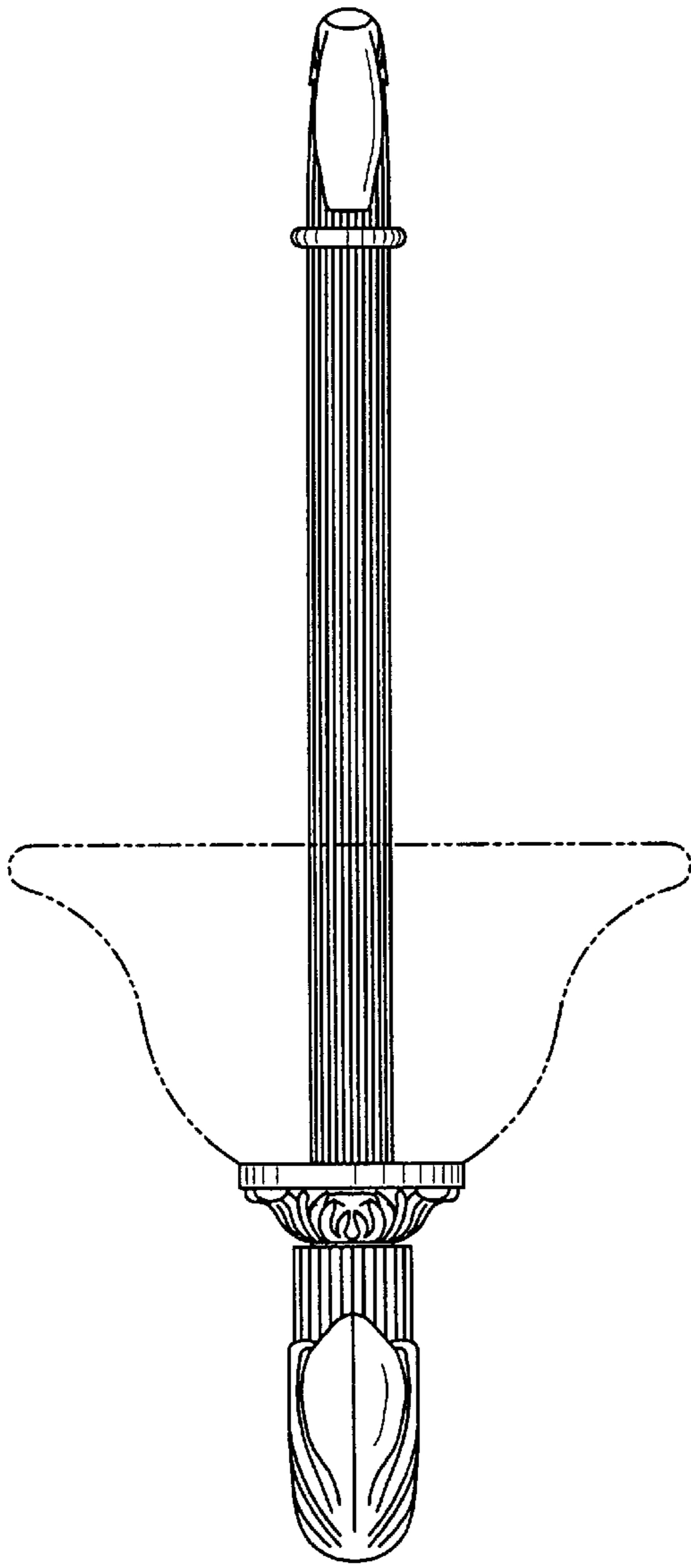


Fig. 5

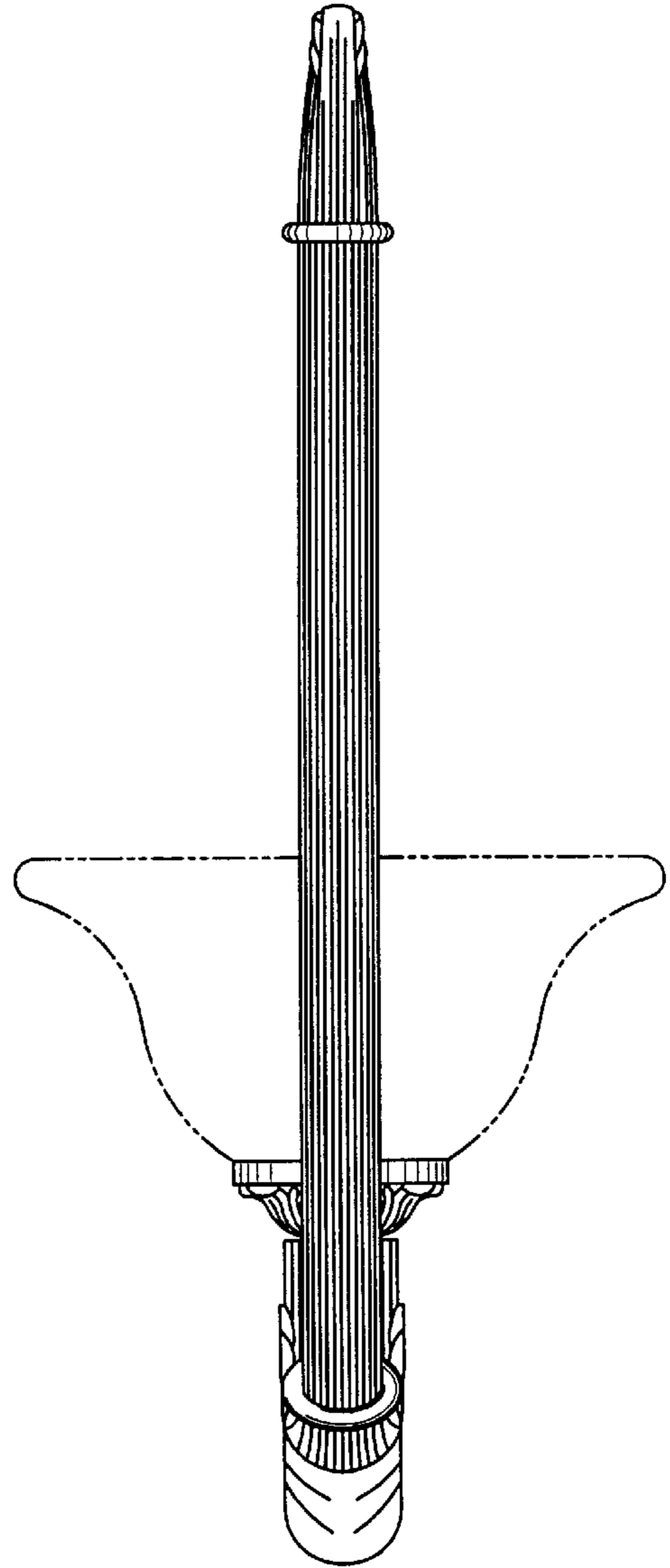


Fig. 6