



US00D406383S

United States Patent [19]

Adams

[11] **Patent Number: Des. 406,383**

[45] **Date of Patent: **Mar. 2, 1999**

[54] **DECORATIVE LIGHT HOLDER**

[75] Inventor: **William E. Adams**, Portersville, Pa.

[73] Assignee: **Adams Mfg. Corp.**, Portersville, Pa.

[**] Term: **14 Years**

[21] Appl. No.: **87,677**

[22] Filed: **May 7, 1998**

[51] **LOC (6) Cl.** **26-99**

[52] **U.S. Cl.** **D26/138**

[58] **Field of Search** D26/138; 362/296,
362/382, 439; D8/378, 395; 24/16 PB,
129 R, 339

[56] **References Cited**

U.S. PATENT DOCUMENTS

D. 363,211	10/1995	Noble	D8/395
D. 387,652	12/1997	Carlson, Jr.	D8/395
D. 536,246	3/1995	Adams	.	
4,707,892	11/1987	Nelson	.	
4,883,290	11/1989	Landa	.	
5,060,961	10/1991	Bontrager	.	
5,575,446	11/1996	Swenson et al.	D8/395

OTHER PUBLICATIONS

P. 184 of Official Gazette of Nov. 6, 1996, showing figure and claim 1 of U.S. Patent No. 5,570,952 to William F. Protz, Jr.

Product Sheet for Adams Party Lighters, date Nov., 1995.

Primary Examiner—Holly Baynham

Attorney, Agent, or Firm—Buchanan Ingersoll, P. C.

[57] **CLAIM**

The ornamental design for a decorative light holder, as shown and described.

DESCRIPTION

FIG. 1 is a top view thereof;

FIG. 2 is a front view thereof;

FIG. 3 is a left side view;

FIG. 4 is a rear view thereof;

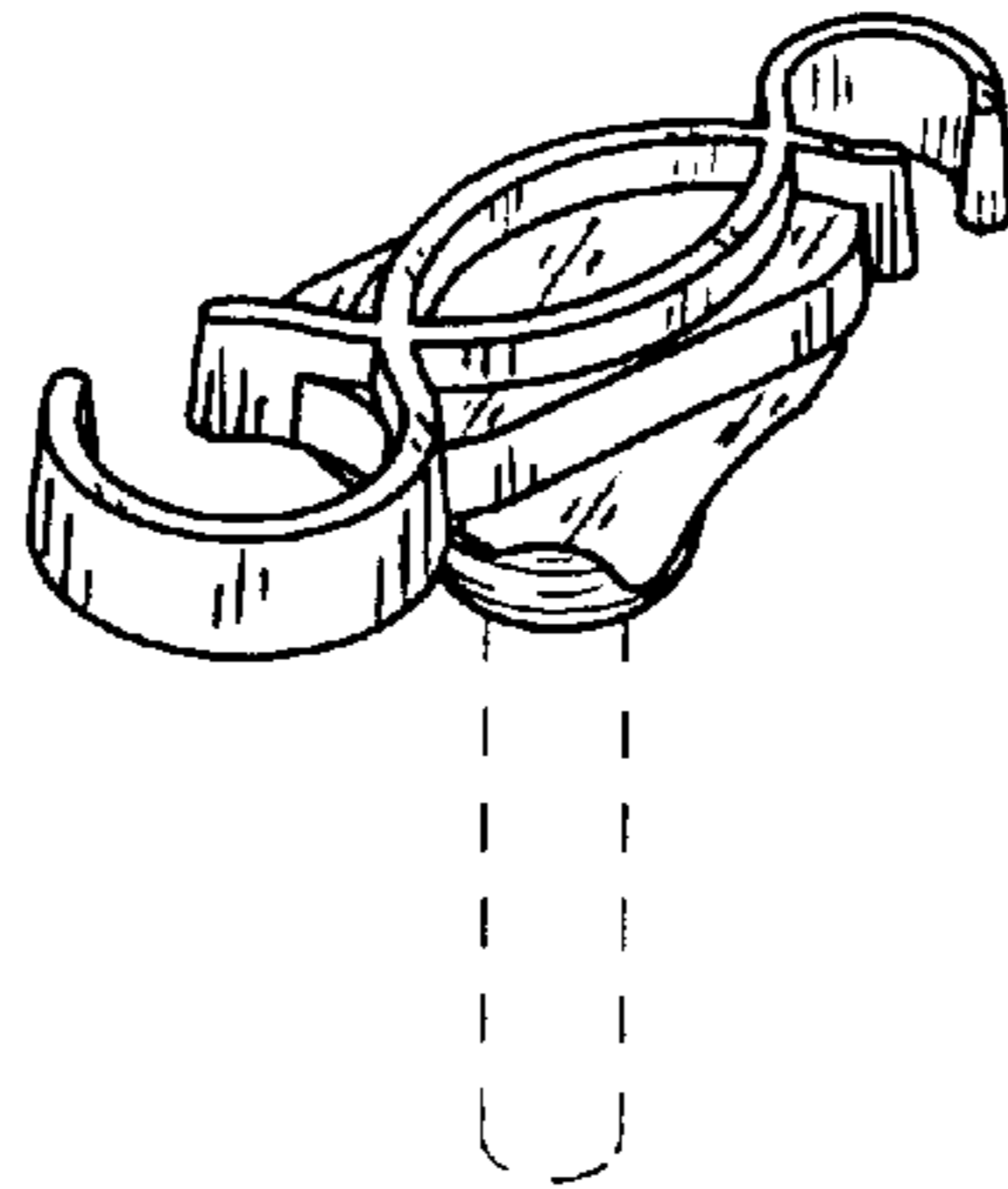
FIG. 5 is a right side view thereof;

FIG. 6 is a bottom view thereof; and,

FIG. 7 is a perspective view thereof.

The broken line showing of a light holder stake is for illustrative purposes only and forms no part of the claimed design.

1 Claim, 1 Drawing Sheet



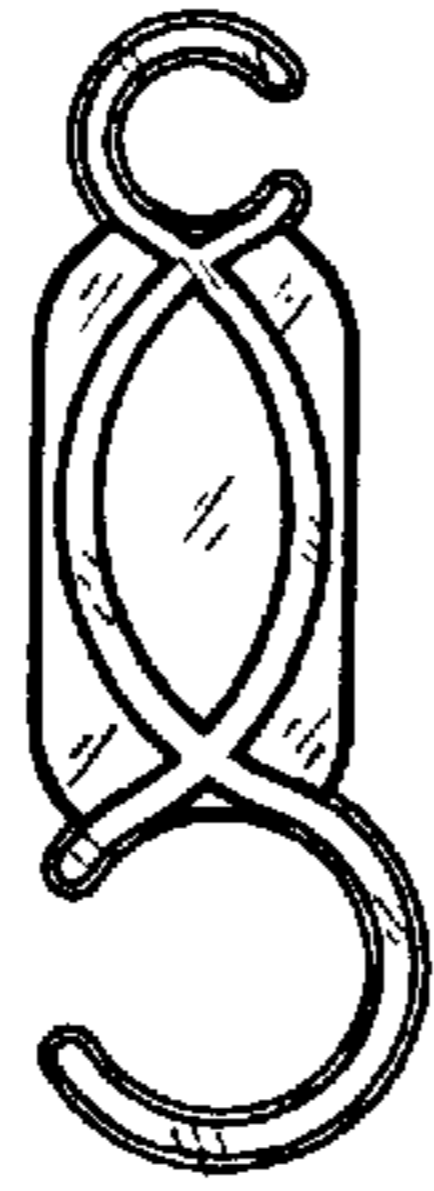


Fig. 1

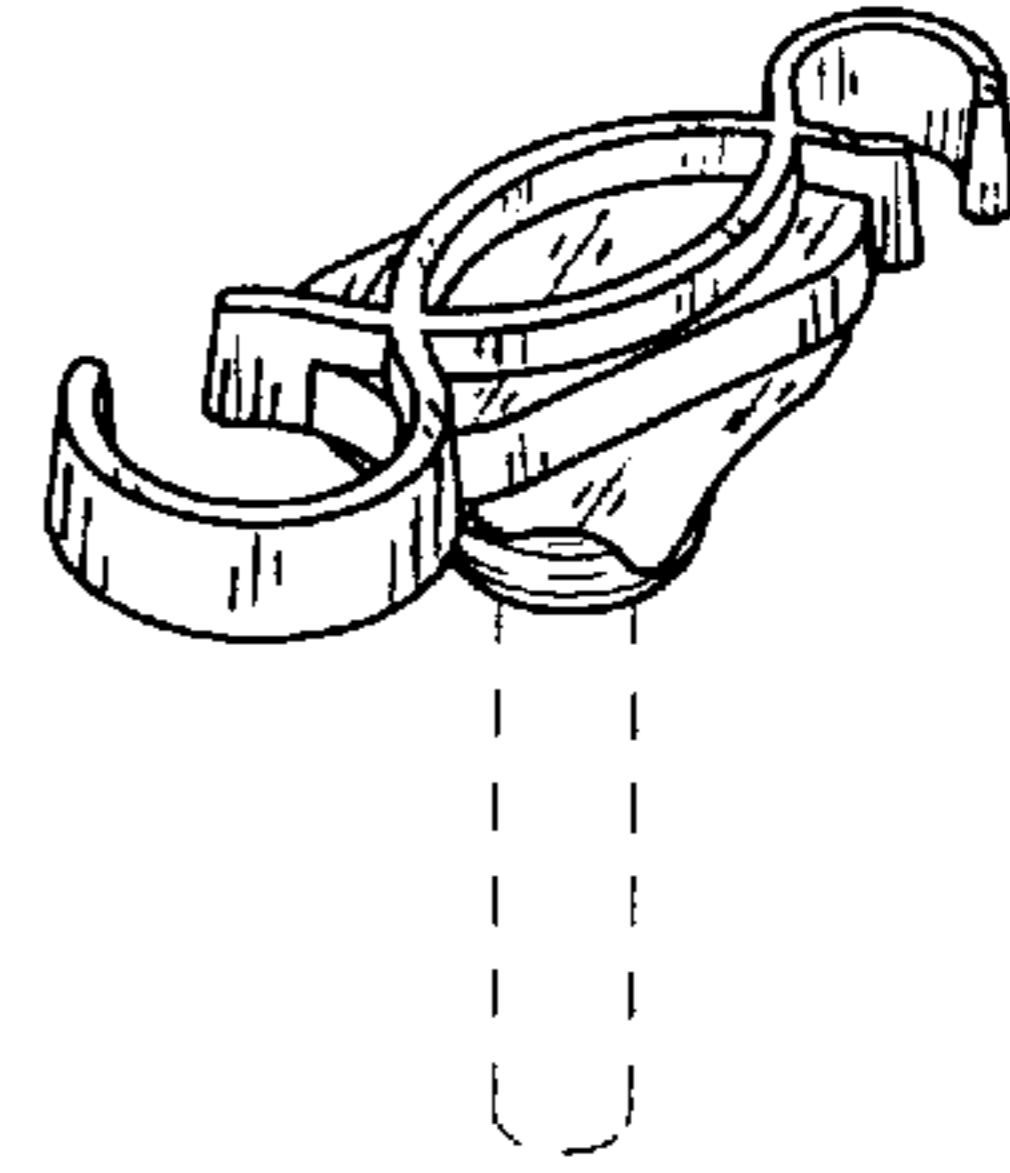


Fig. 7

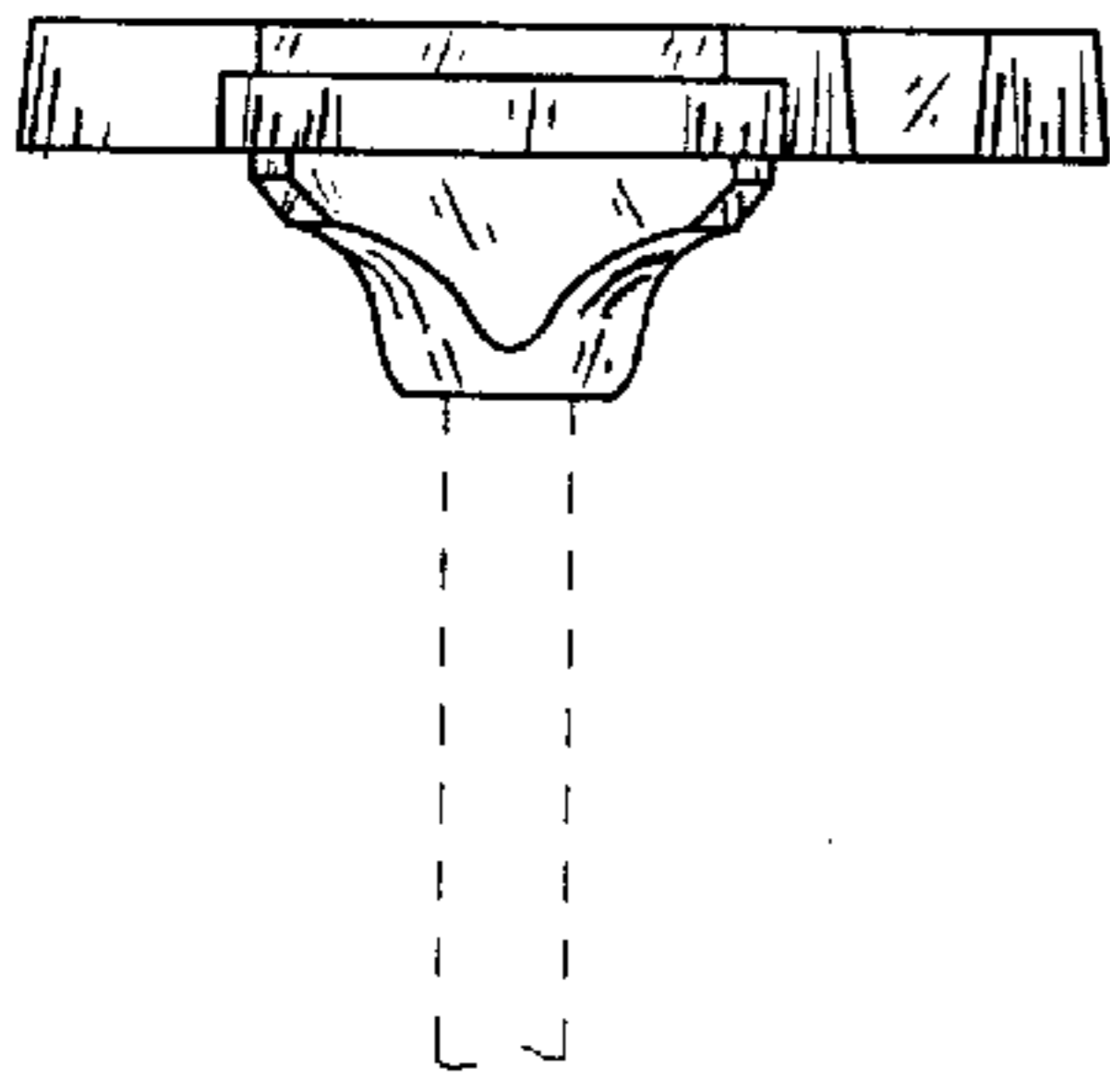


Fig. 2

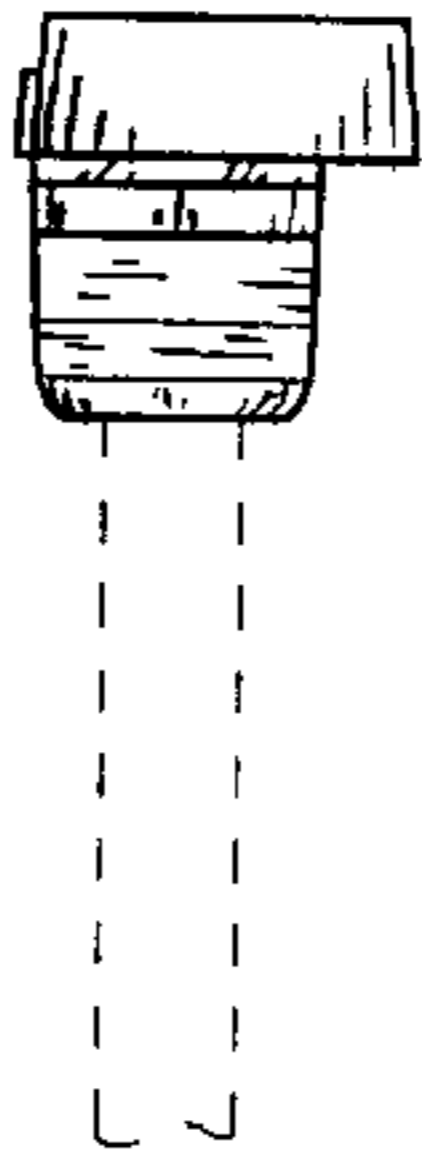


Fig. 3

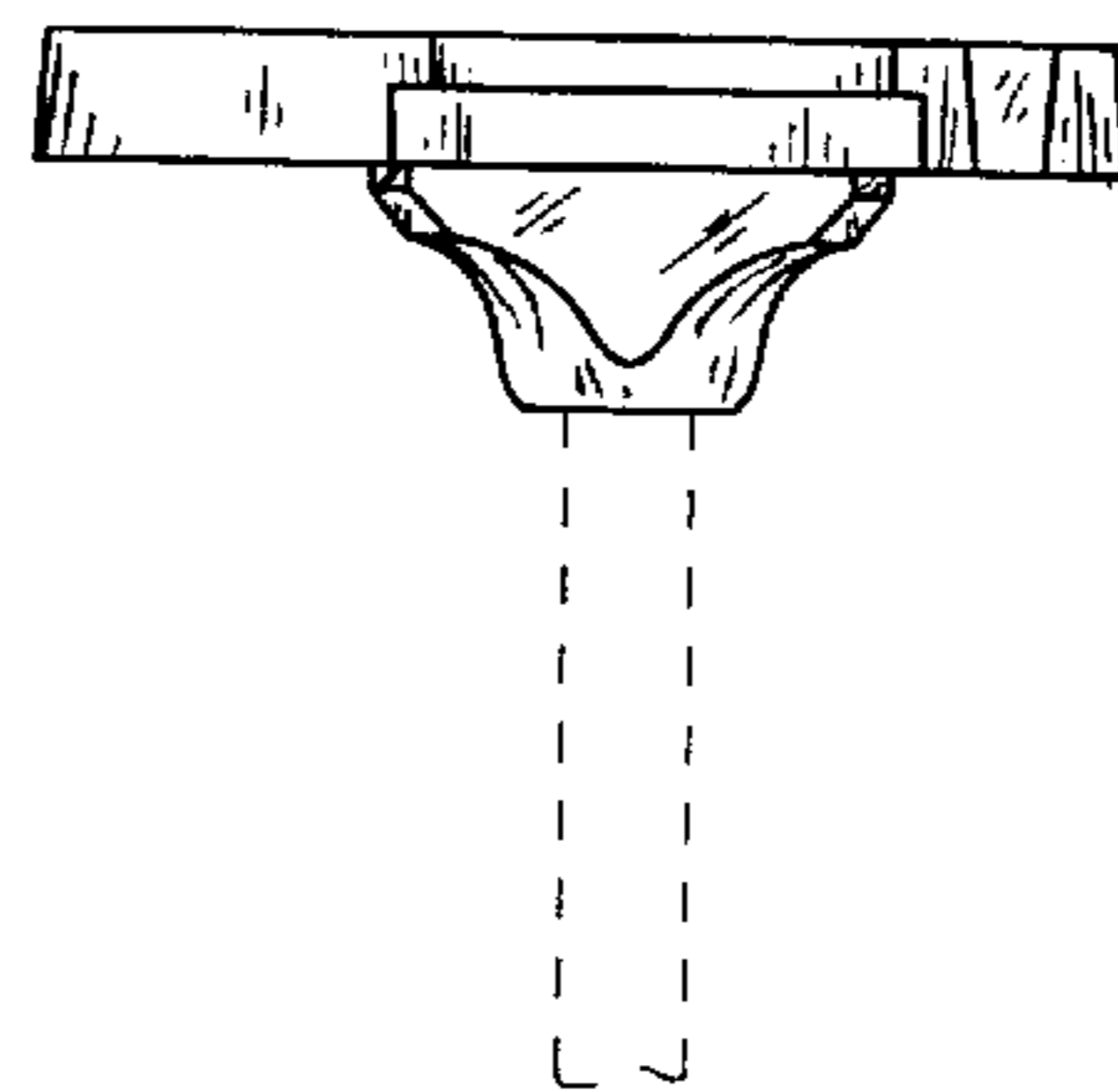


Fig. 4

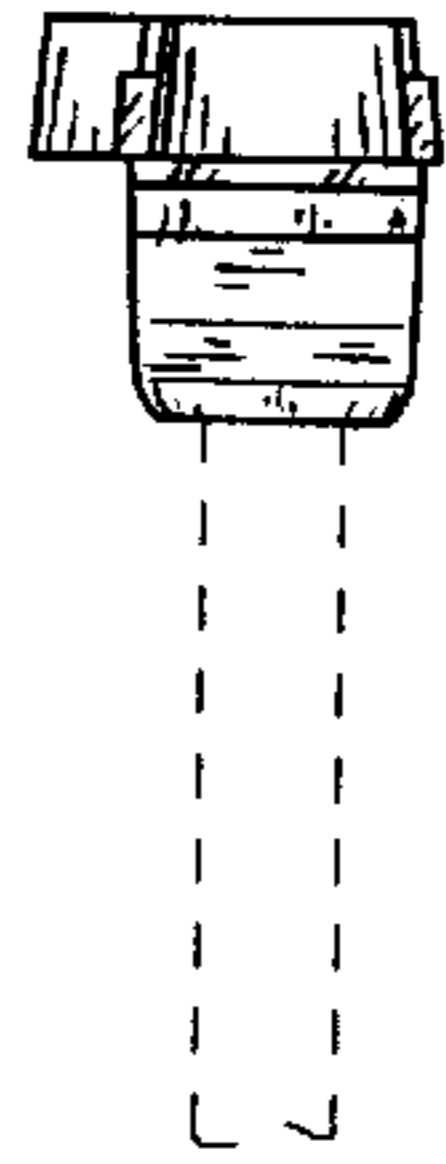


Fig. 5

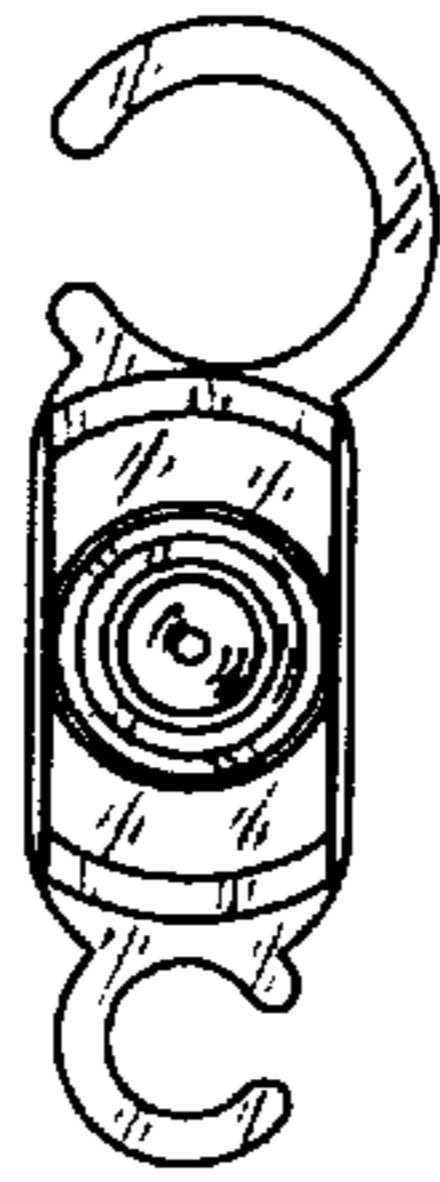


Fig. 6