



US00D406379S

United States Patent [19]
Andrews

[11] **Patent Number: Des. 406,379**

[45] **Date of Patent: **Mar. 2, 1999**

[54] **ELECTRONIC CANDLE**

[75] Inventor: **Curtis Andrews**, Washington, D.C.

[73] Assignee: **Sung Sik Yang**, McLean, Va.; a part interest

[**] Term: **14 Years**

[21] Appl. No.: **80,836**

[22] Filed: **Dec. 17, 1997**

[51] **LOC (6) Cl.** **26-05**

[52] **U.S. Cl.** **D26/96**

[58] **Field of Search** 362/410, 414,
362/806, 810, 392, 396; D26/93, 102-112,
9, 96

[56] **References Cited**

U.S. PATENT DOCUMENTS

| | | | | | |
|-----------|--------|----------|-------|---------|---|
| 2,435,811 | 2/1948 | Waters | | 362/810 | X |
| 3,368,107 | 2/1968 | Skirvin | | 362/810 | X |
| 4,608,011 | 8/1986 | Comstock | | 362/810 | X |
| 5,601,360 | 2/1997 | Paquette | | 362/810 | X |

Primary Examiner—Susan J. Lucas
Attorney, Agent, or Firm—Browdy and Neimark

[57] **CLAIM**

The ornamental design for an electronic candle, as shown and described.

DESCRIPTION

FIG. 1 is a perspective view of an electronic candle in accordance with the present design; FIG. 2 is a top plan view thereof; FIG. 3 is a bottom plan view thereof; FIG. 4 is a front elevational view thereof; and, FIG. 5 is a rear elevational view thereof.

Except for the on-off switch and the shape of the light bulb at the top of the device of the present design, the electronic candle is symmetrical about its vertical axis. The precise location of the on-off switch as best seen in FIGS. 1 and 4 is hereby disclaimed, as is the functional cover plate for a battery which is illustrated in FIG. 3 the switch and battery cover both being shown in broken lines for illustrative purposes only, forming no part of the claimed design.

1 Claim, 2 Drawing Sheets

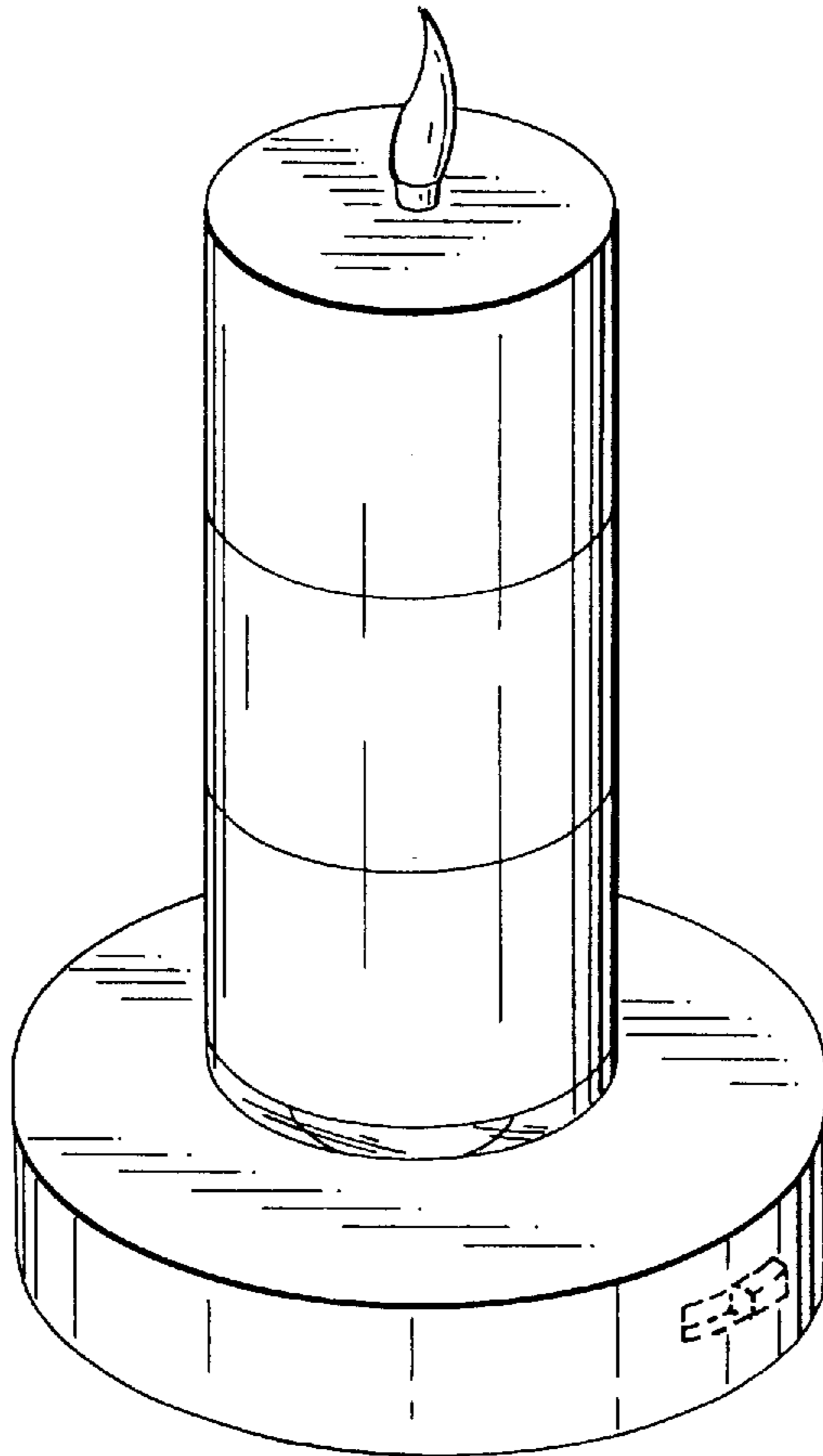


FIG. 1

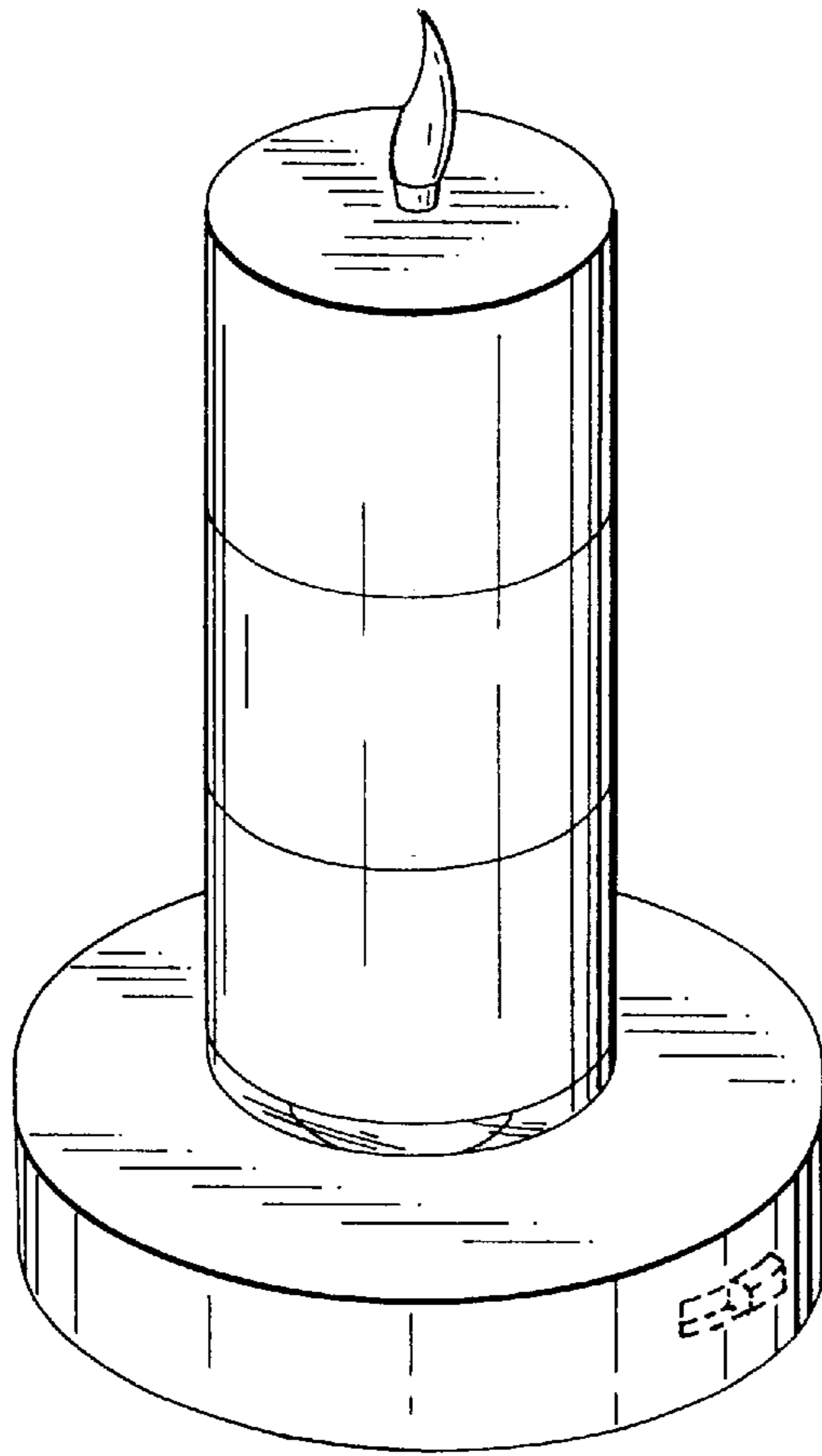


FIG. 2

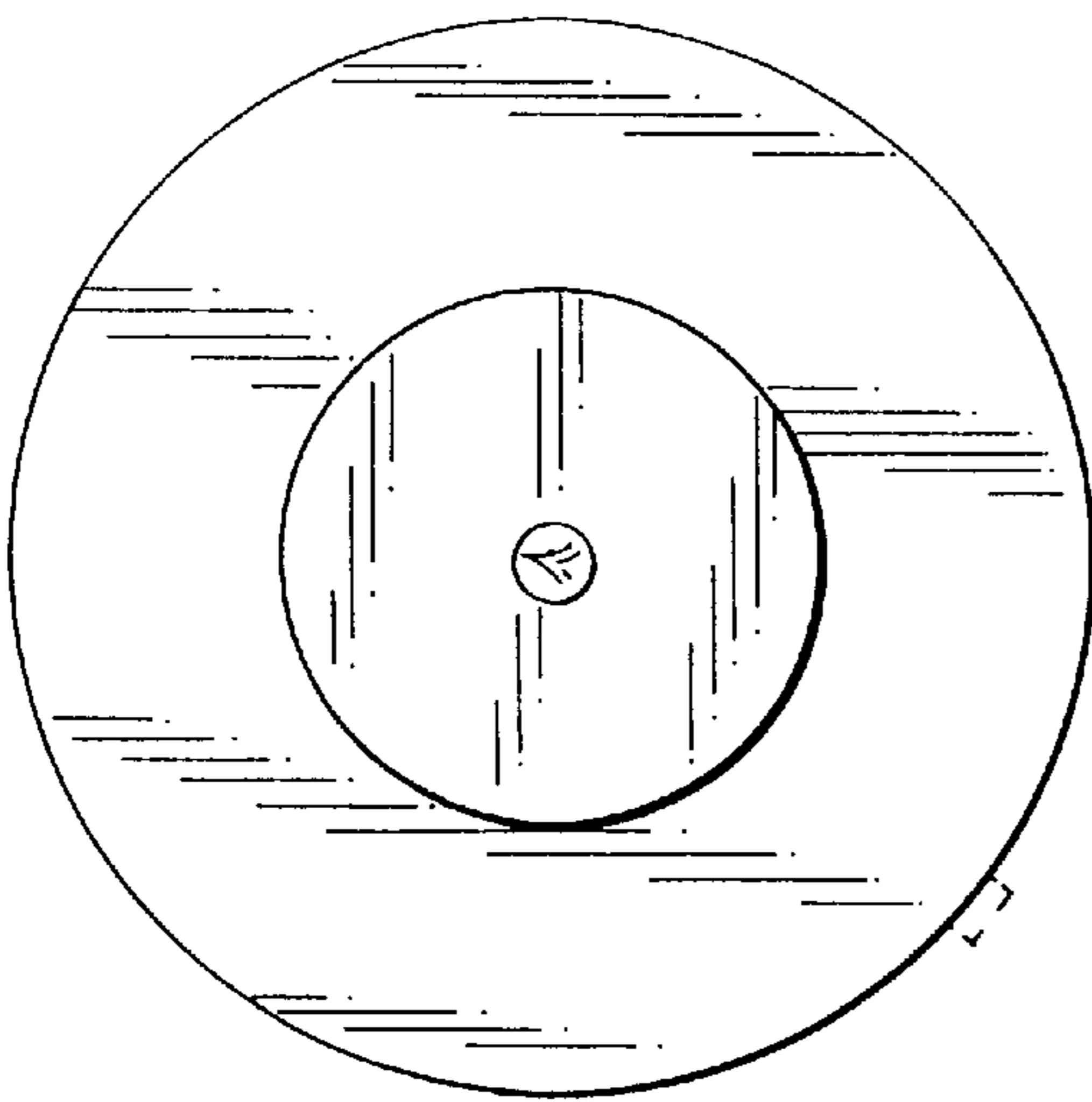


FIG. 3

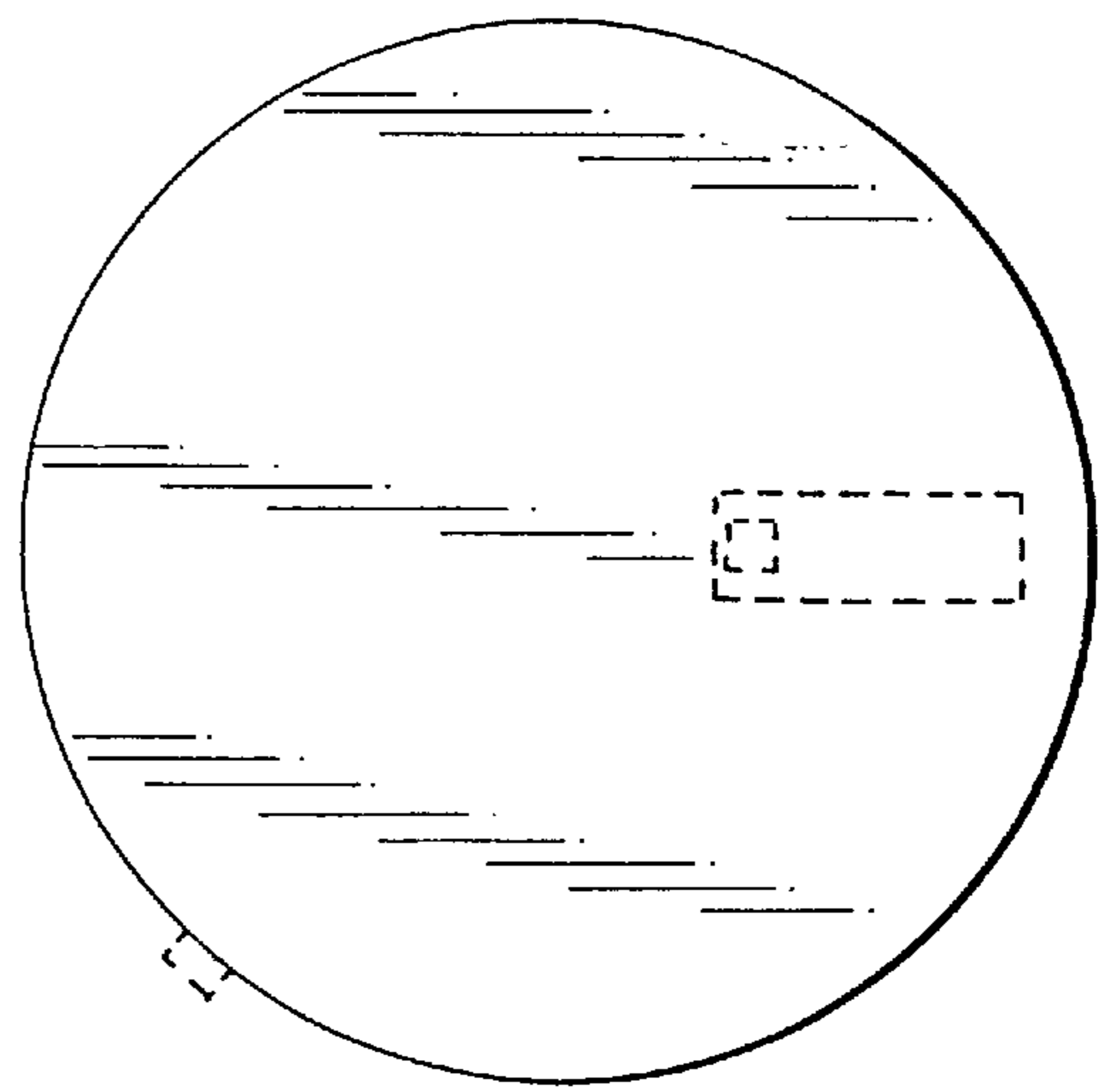


FIG. 4

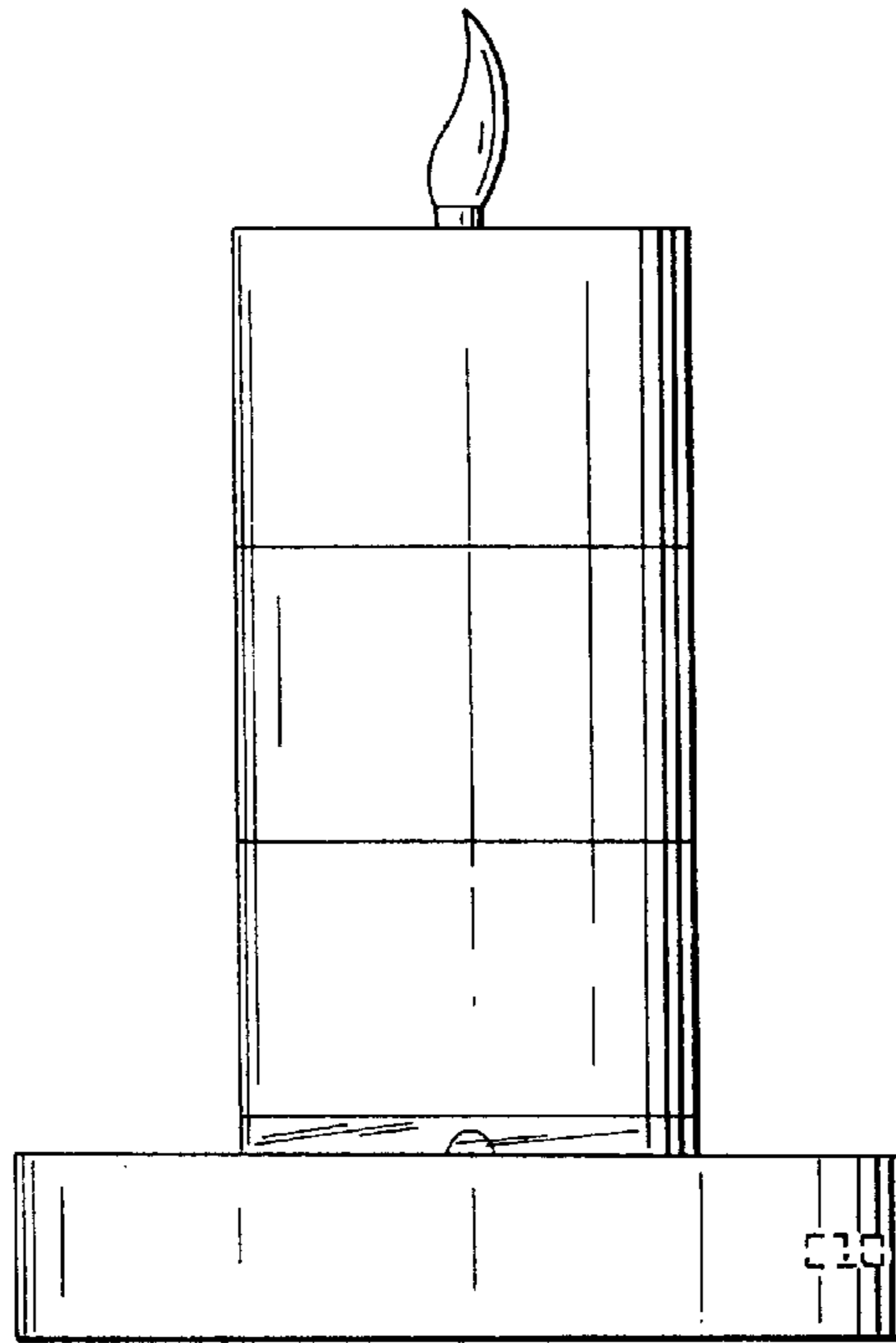


FIG. 5

