



US00D406371S

United States Patent [19]
Van Der Bel

[11] **Patent Number: Des. 406,371**
[45] **Date of Patent: **Mar. 2, 1999**

[54] **SURGICAL HEADLIGHT**

[75] Inventor: **Frans G. Van Der Bel**, Southbridge,
Mass.

[73] Assignee: **Applied Fiberoptics, Inc.**, Sturbridge,
Mass.

[**] Term: **14 Years**

[21] Appl. No.: **89,322**

[22] Filed: **Jun. 12, 1998**

[51] **LOC (6) Cl.** **26-02**

[52] **U.S. Cl.** **D26/39**

[58] **Field of Search** D26/37-50; 362/157,
362/158, 183, 184, 187-191, 194-200,
202, 103, 105

[56] **References Cited**

U.S. PATENT DOCUMENTS

D. 238,958	2/1976	Feinbloom	D26/39
D. 266,192	9/1982	Feinbloom	D26/39
D. 274,758	7/1984	Shing	D26/39
D. 300,868	4/1989	Conforti	D26/39

D. 337,838	7/1993	Van Der Bel	D26/39
D. 362,080	9/1995	Lehrer et al.	D26/39
D. 373,433	9/1996	Feinbloom	D26/39
D. 383,229	9/1997	Kiichiro	D26/39
2,234,995	3/1941	Waechter	D26/39
3,008,040	11/1961	Moore	D26/39
3,042,797	7/1962	Rubens	D26/39

Primary Examiner—Marcus A. Jackson
Attorney, Agent, or Firm—Blodgett & Blodgett, P.C.

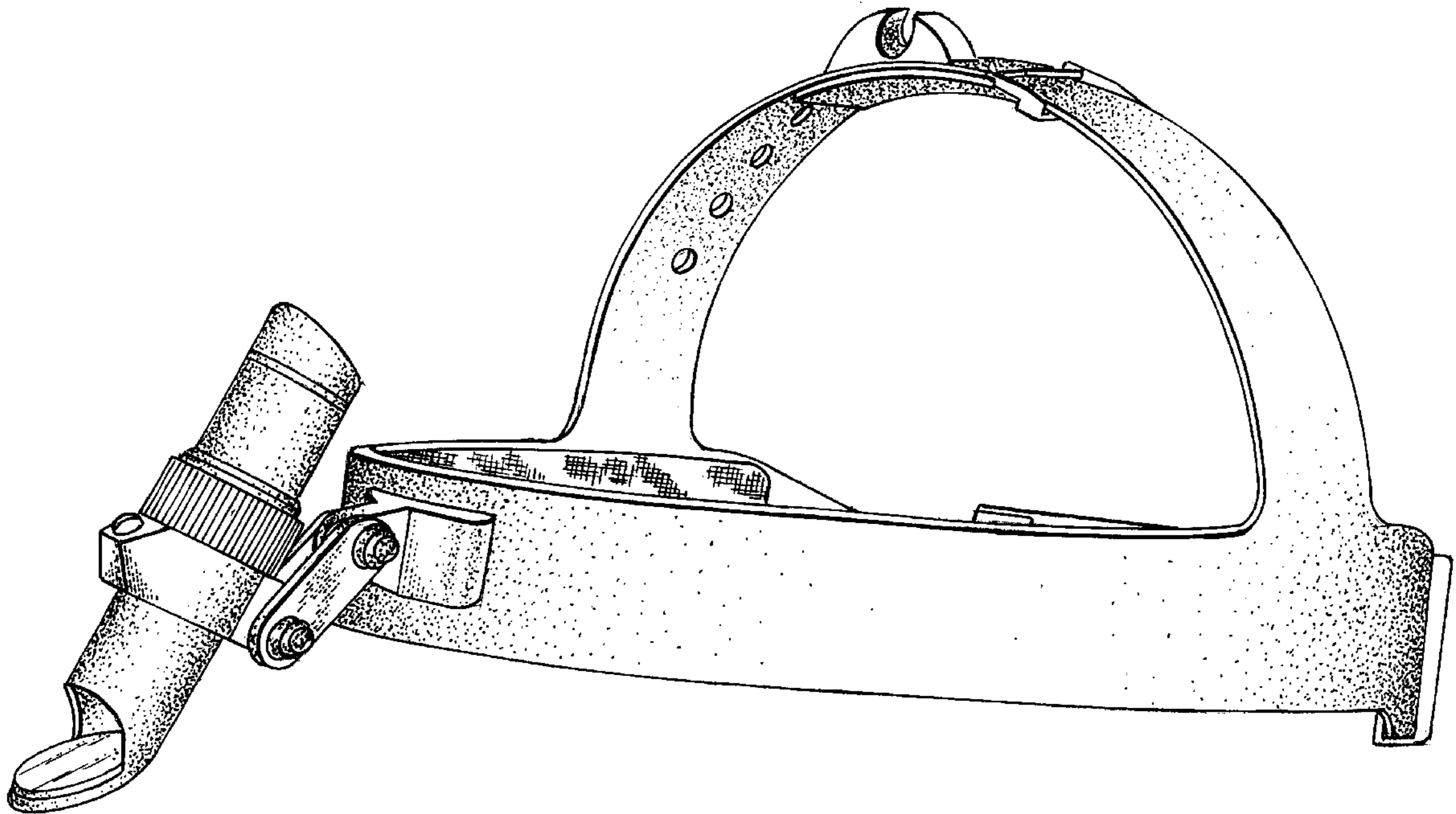
[57] **CLAIM**

I claim the ornamental design for surgical headlight, as shown and described.

DESCRIPTION

FIG. 1 is a perspective view of the surgical headlight showing my new design;
FIG. 2 is a top plan view thereof;
FIG. 3 is a bottom plan view thereof;
FIG. 4 is a front elevational view thereof;
FIG. 5 is a rear elevational view thereof;
FIG. 6 is a right side plan view thereof; and,
FIG. 7 is a left side plan view thereof.

1 Claim, 6 Drawing Sheets



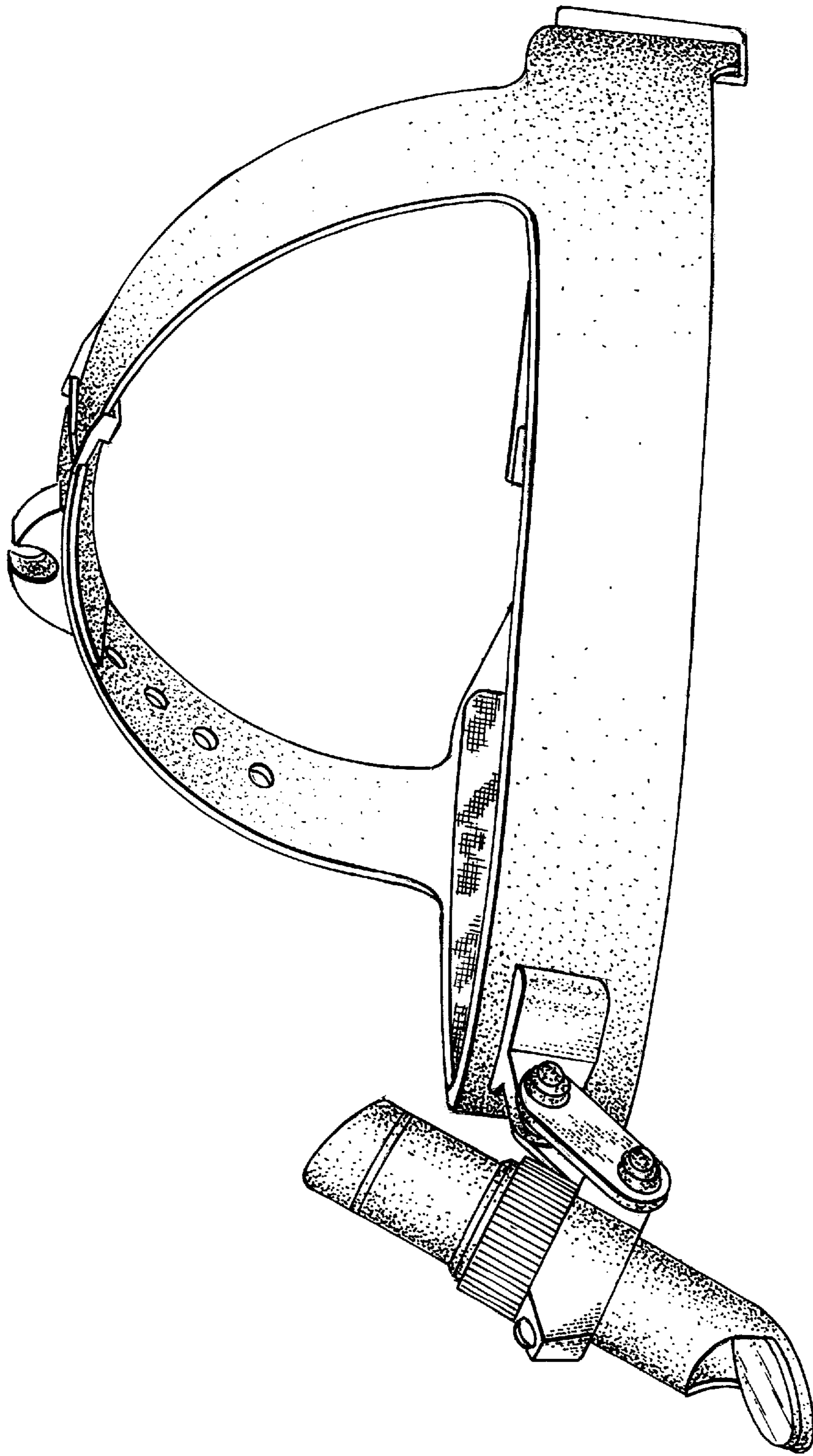


FIG. 1

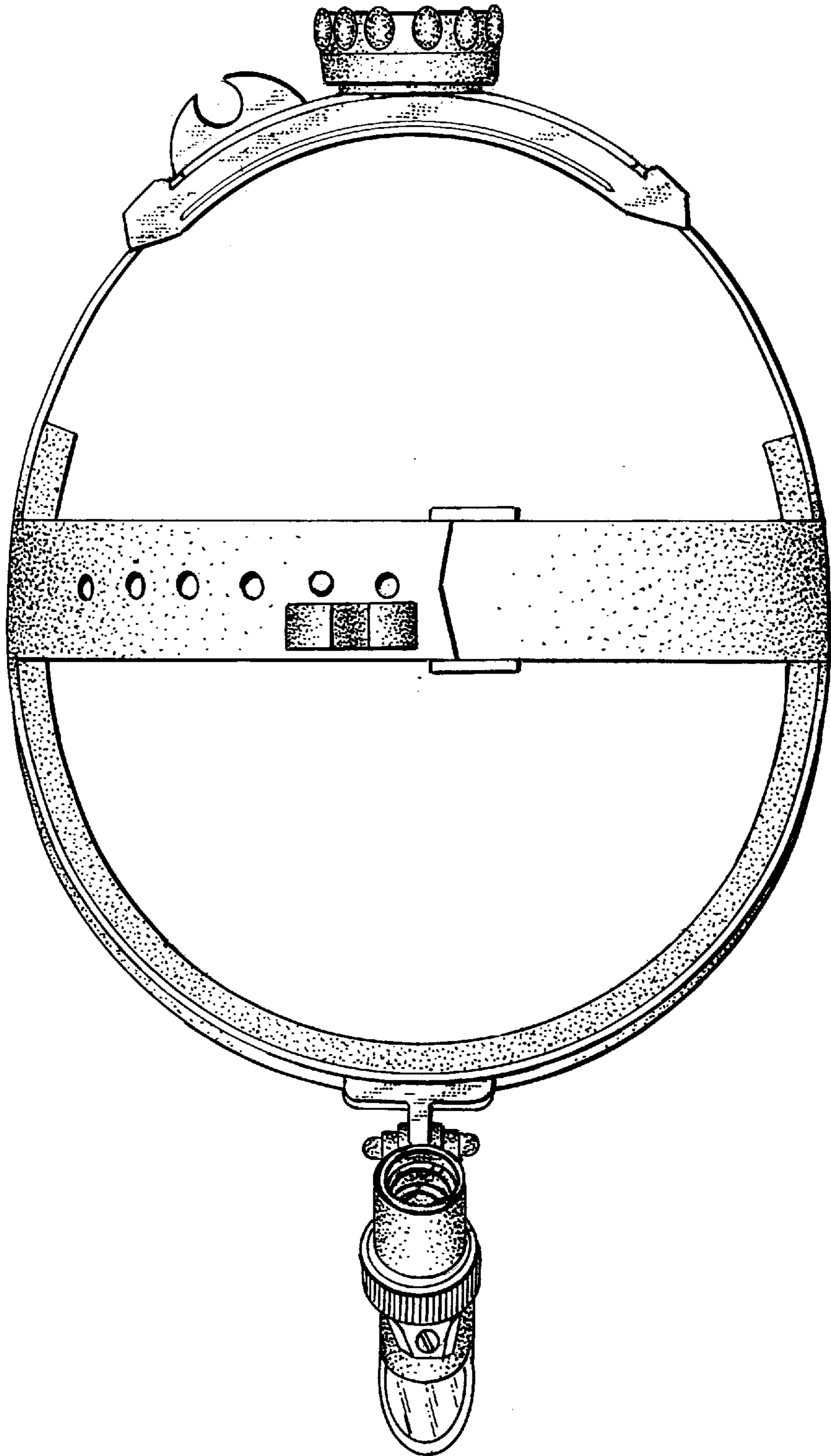


FIG. 2

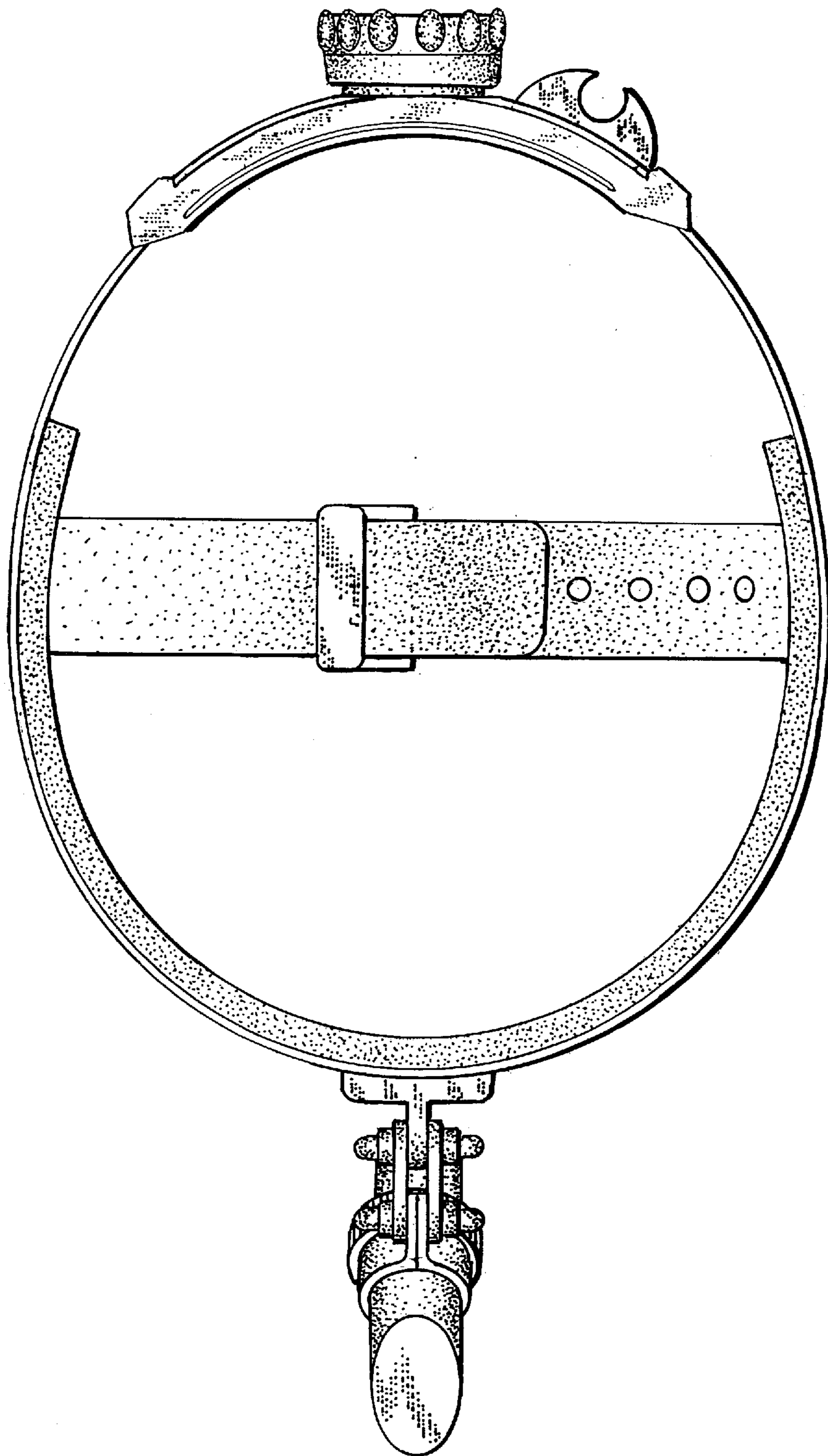


FIG. 3

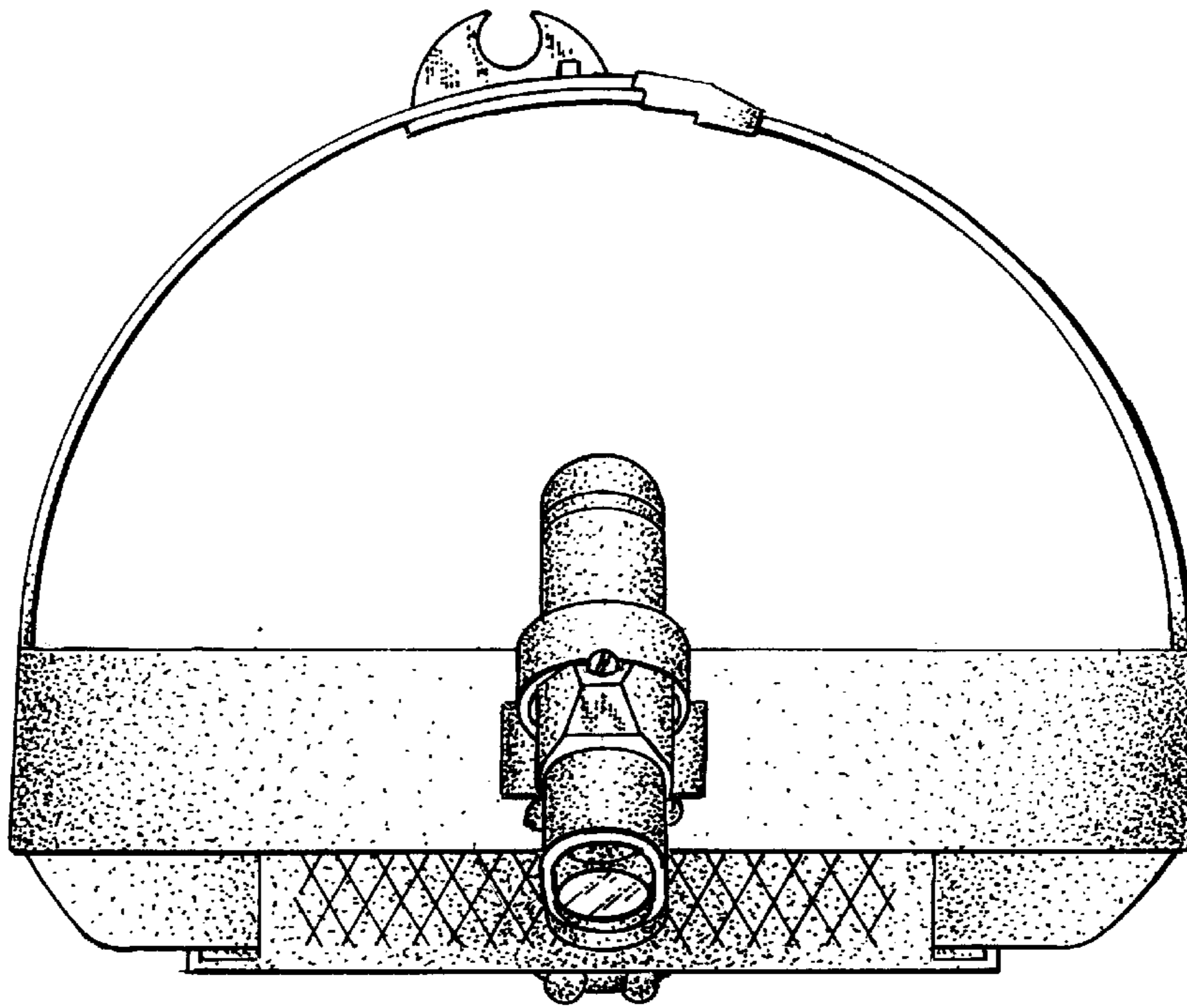


FIG. 4

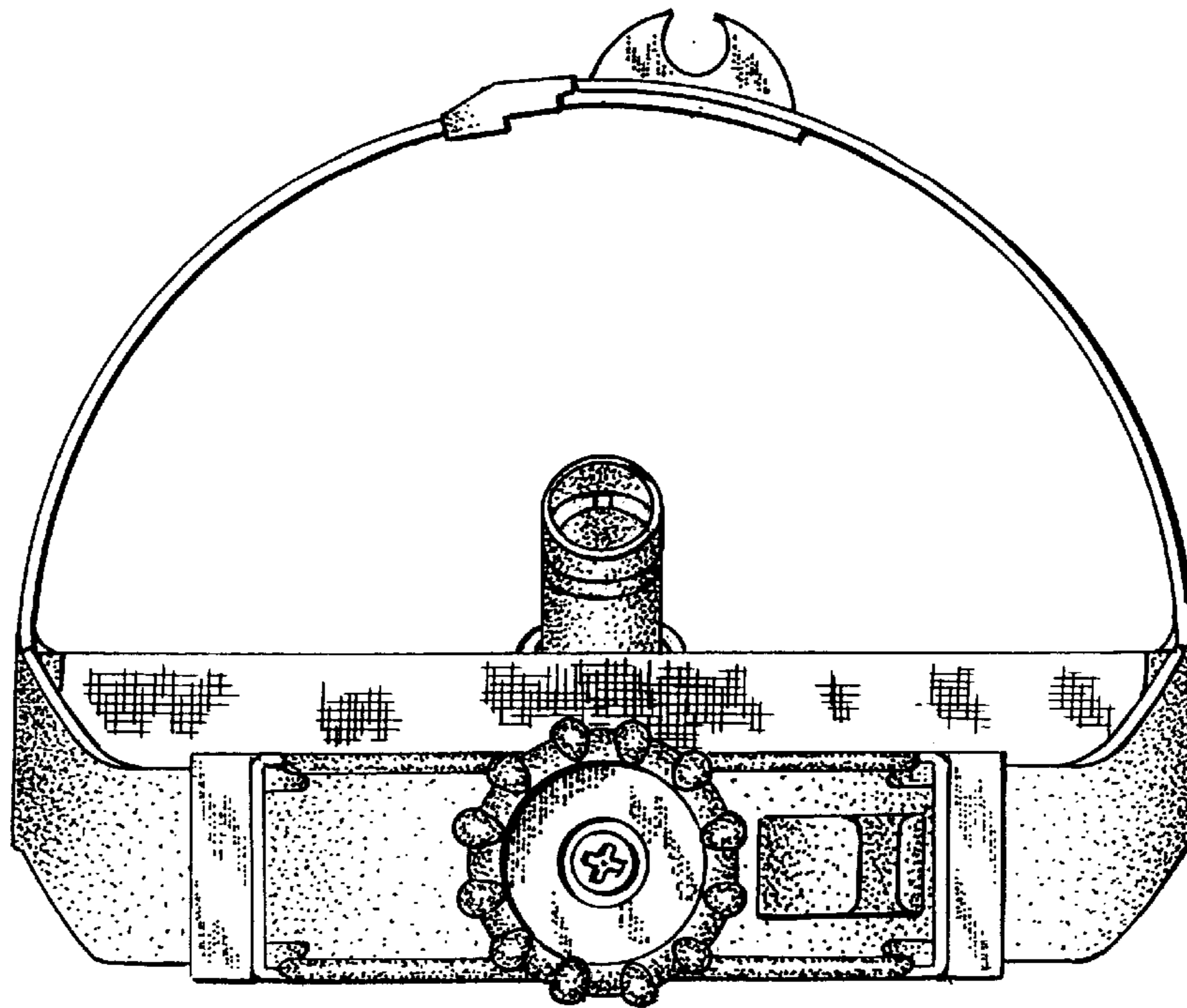


FIG. 5

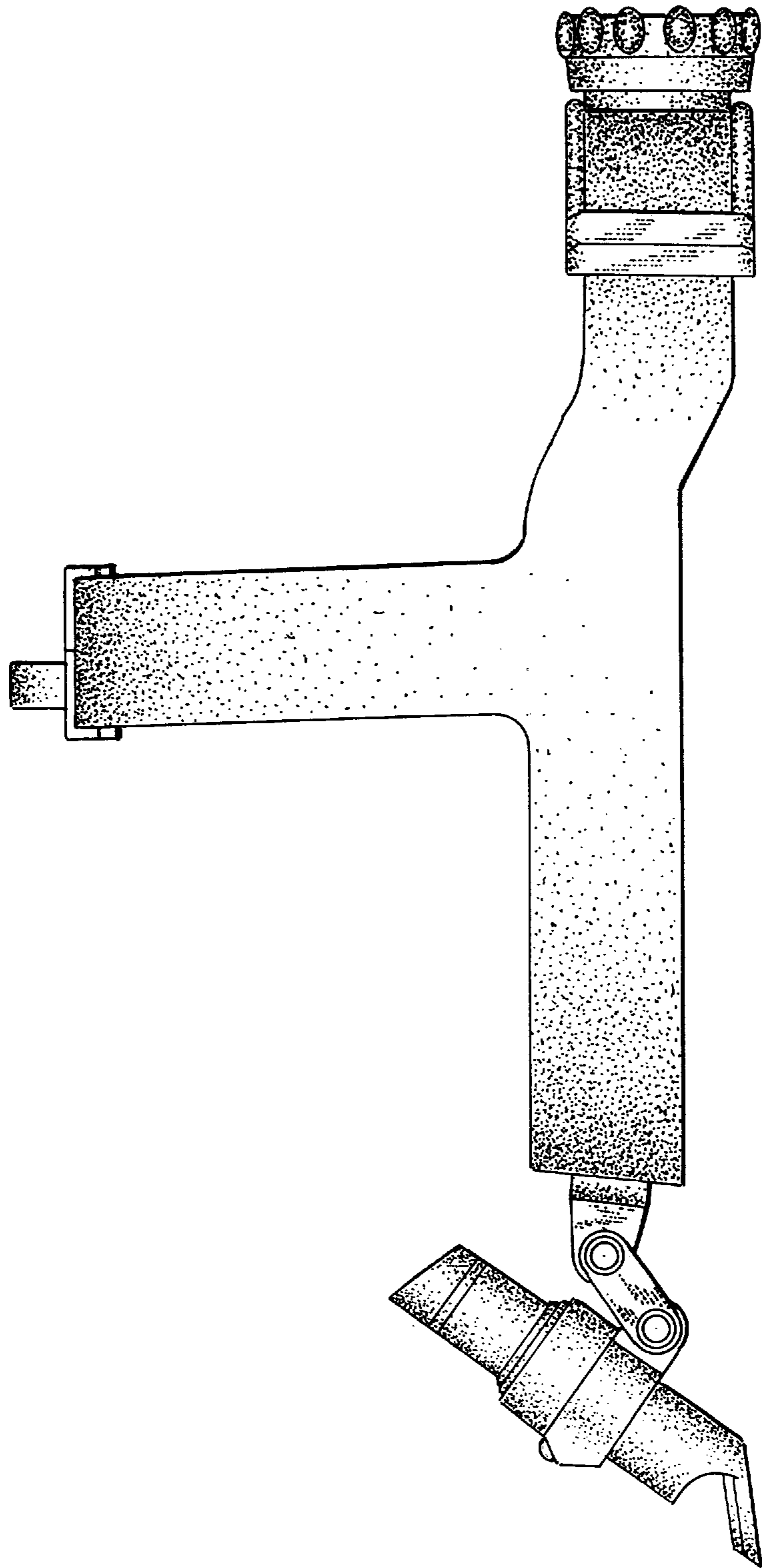


FIG. 6

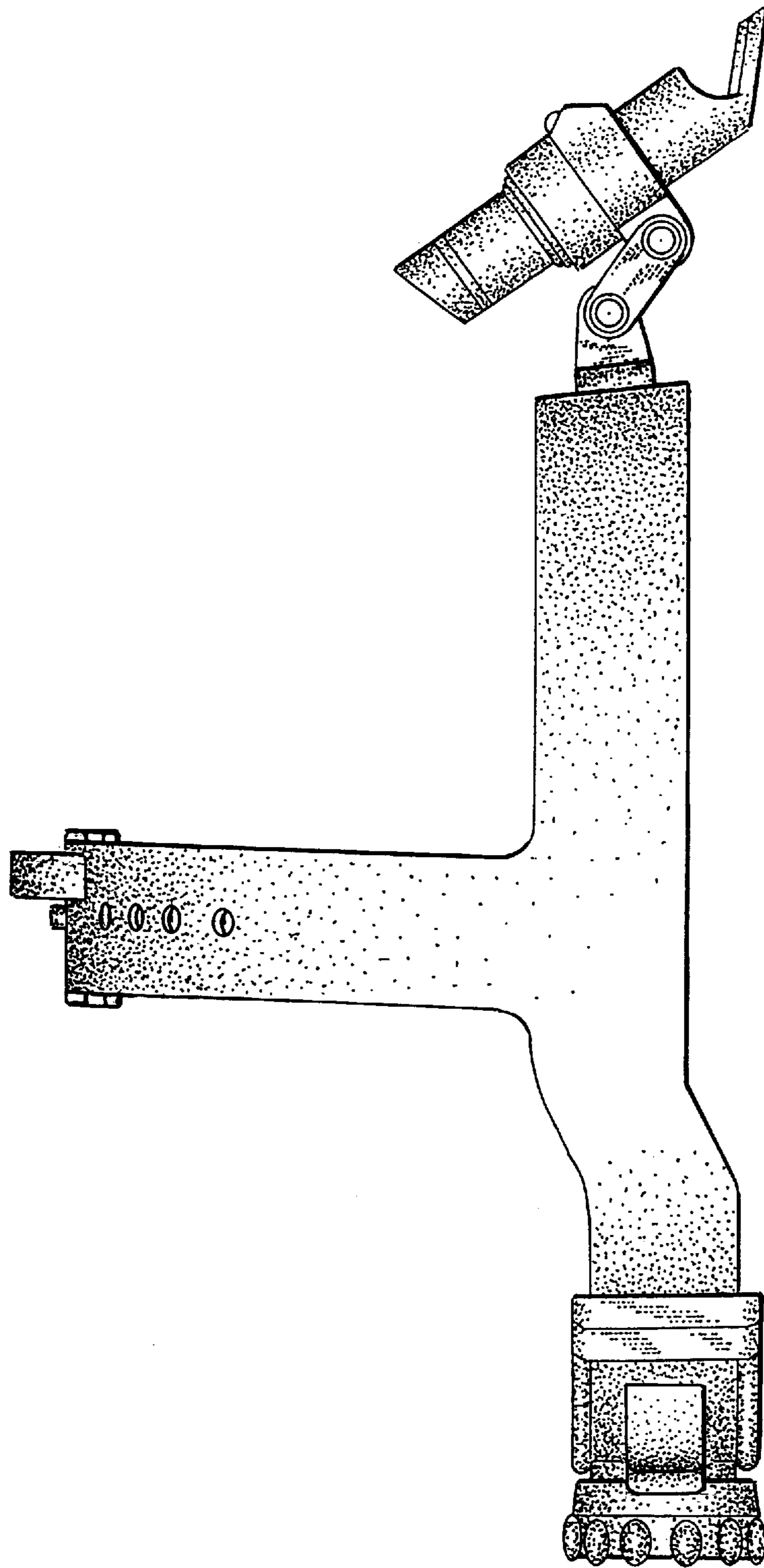


FIG. 7