



US00D406370S

United States Patent [19] McCalla

[11] **Patent Number: Des. 406,370**
[45] **Date of Patent: **Mar. 2, 1999**

[54] COMBINATION FLASHLIGHT AND POWERED SCREWDRIVER

[76] Inventor: **Gavin McCalla**, 3935 Tamiami Trail, Comming, Ga. 30131

[**] Term: **14 Years**

[21] Appl. No.: **86,059**

[22] Filed: **Apr. 3, 1998**

Related U.S. Application Data

[63] Continuation-in-part of Ser. No. 67,262, Feb. 18, 1997.

[51] **LOC (6) Cl. 26-02**

[52] **U.S. Cl. D26/38; D8/87**

[58] **Field of Search D26/37-50; 362/157, 362/158, 171, 172, 178, 181, 183, 192, 194, 196, 197, 200-206, 119, 120**

[56] References Cited

U.S. PATENT DOCUMENTS

| | | | | |
|------------|---------|---------------------|-------|----------|
| D. 327,827 | 7/1992 | Kwan | | D8/61 |
| D. 330,497 | 10/1992 | Hsin | | D8/68 |
| D. 331,356 | 12/1992 | Amsberry | | D8/68 |
| D. 363,012 | 10/1995 | Humphries | | D26/38 |
| D. 364,694 | 11/1995 | Silvia | | D26/38 |
| D. 371,616 | 7/1996 | Porth et al. | | D26/38 |
| 1,439,404 | 12/1922 | Cotharin | | 240/6.46 |
| 2,242,536 | 5/1941 | Montgomery | | 240/6.46 |
| 2,288,093 | 6/1942 | Kaffenberger et al. | | 240/6.46 |
| 2,341,375 | 2/1944 | Hambleton | | 240/6.46 |

| | | | | |
|-----------|---------|-------------------|-------|----------|
| 2,466,342 | 1/1949 | Watts | | 240/6.46 |
| 2,706,769 | 4/1955 | Cook | | 240/6.46 |
| 2,783,364 | 2/1957 | Wood, Jr. | | 240/6.46 |
| 3,185,832 | 5/1965 | Nagamori | | 240/6.46 |
| 3,919,541 | 11/1975 | Chao | | 240/6.46 |
| 4,283,757 | 8/1981 | Nalbandian et al. | | 362/120 |
| 4,302,797 | 11/1981 | Cooper | | 362/119 |
| 4,480,295 | 10/1984 | Shuster | | 362/119 |
| 5,369,555 | 11/1994 | McKain et al. | | 362/120 |
| 5,473,519 | 12/1995 | McCallops et al. | | 362/120 |
| 5,510,962 | 4/1996 | Hsiao | | 362/120 |
| 5,515,249 | 5/1996 | Shiao | | 362/119 |
| 5,577,829 | 11/1996 | Hall | | 362/119 |
| 5,584,565 | 12/1996 | Berg | | 362/120 |

Primary Examiner—Marcus A. Jackson
Attorney, Agent, or Firm—Needle & Rosenberg, P.C.

[57] CLAIM

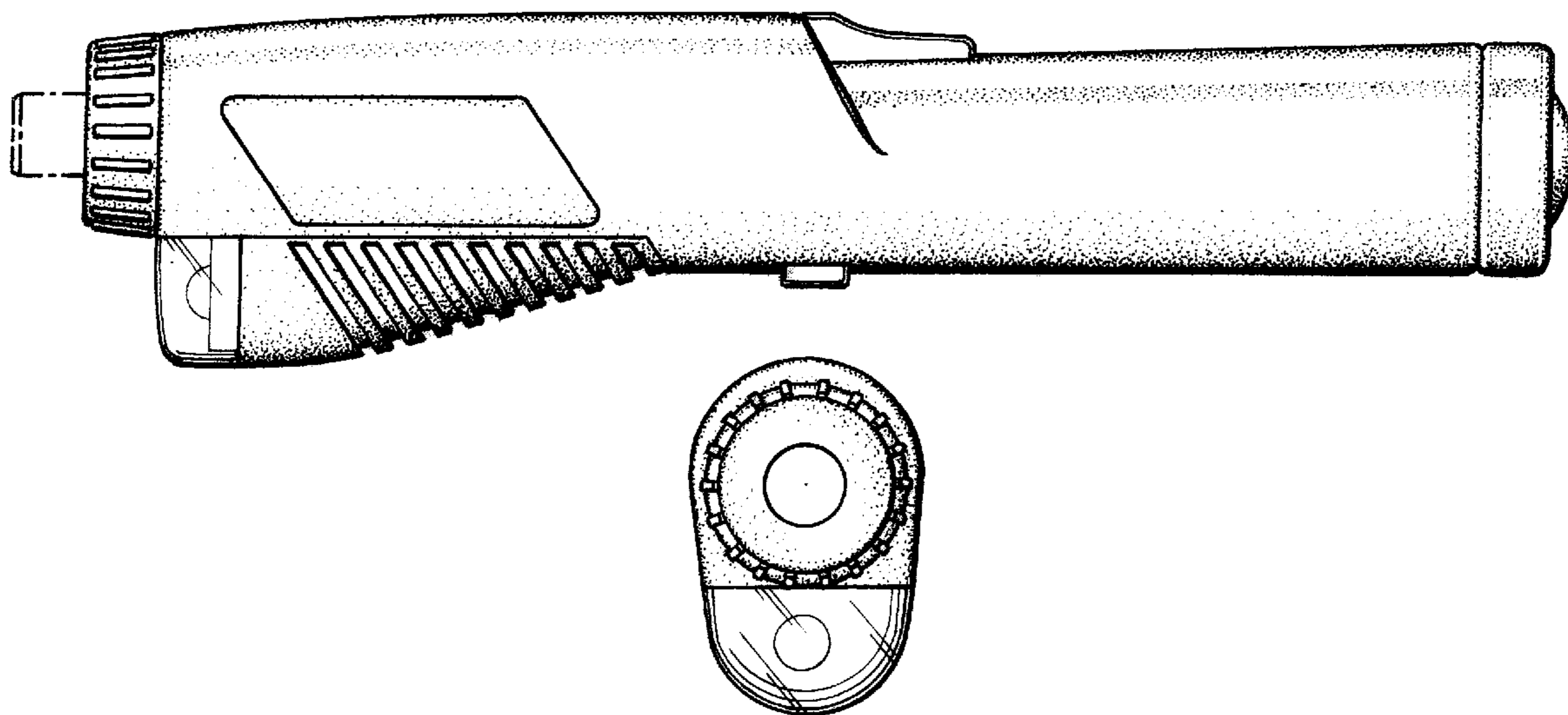
The new and ornamental design for a combination flashlight and powered screwdriver, as shown and described.

DESCRIPTION

FIG. 1 is a side elevational view of a combination flashlight and powered screwdriver of the present invention, with the opposite side being a mirror image, with the broken line showing for illustrative purposes only and forming no part of the claim design.

FIG. 2 is a top plan view of FIG. 1;
FIG. 3 is a bottom plan view of FIG. 1;
FIG. 4 is a front elevational view of FIG. 1; and,
FIG. 5 is a rear elevational view of FIG. 1.

1 Claim, 2 Drawing Sheets



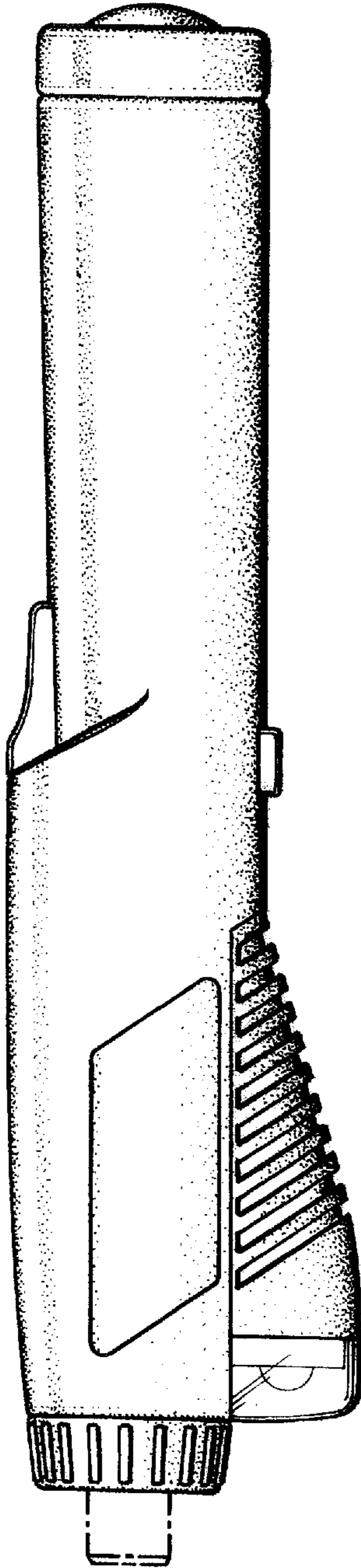


FIG 1

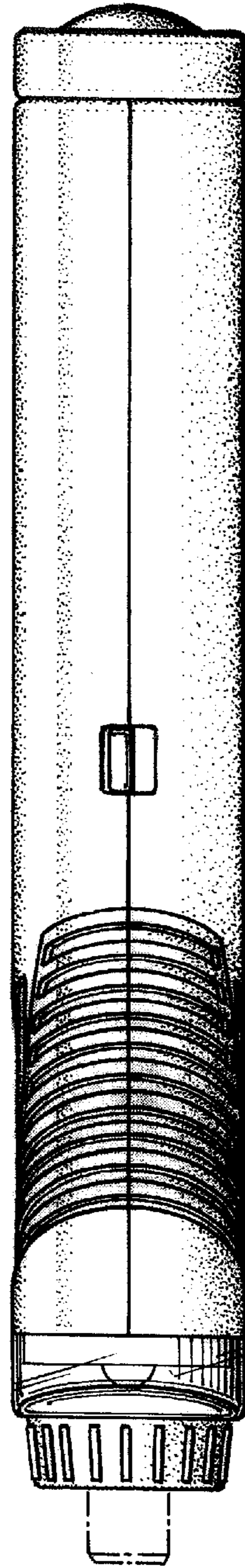


FIG 2

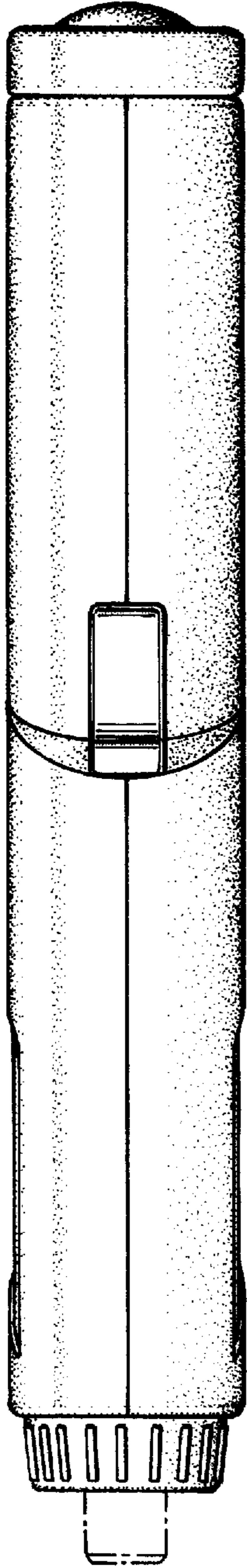


FIG 3

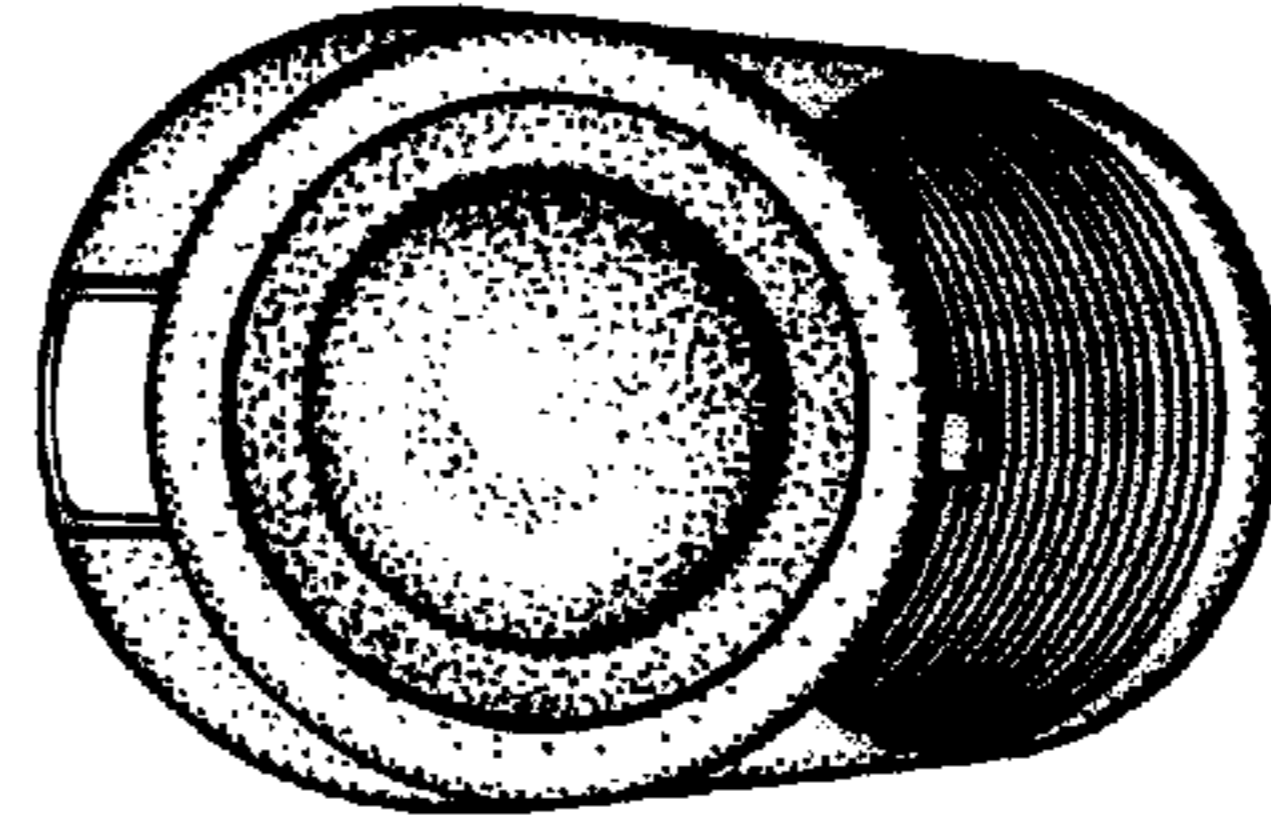


FIG 5

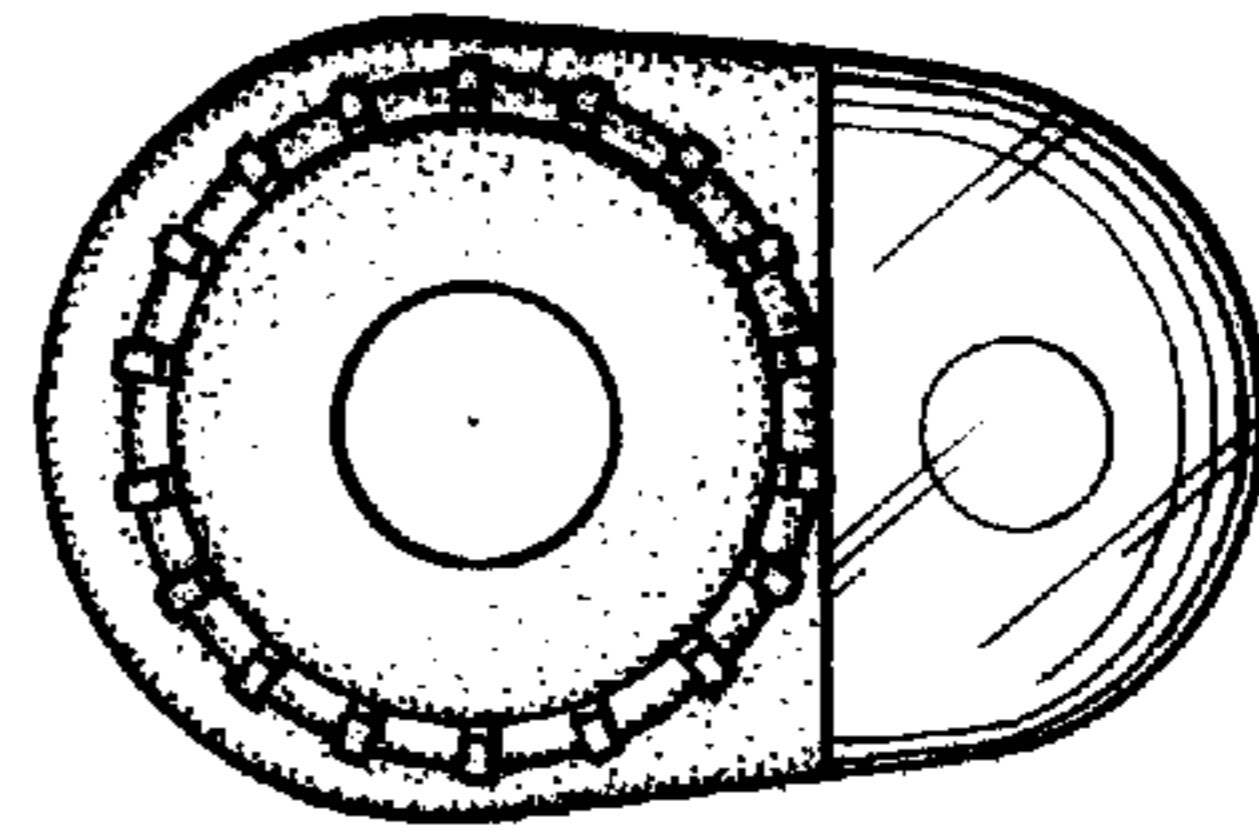


FIG 4