



US00D406360S

United States Patent [19]
Finkell, Jr.

[11] **Patent Number:** **Des. 406,360**
[45] **Date of Patent:** ****Mar. 2, 1999**

[54] **FLOORING MEMBER**

[75] **Inventor:** **Donald Richerson Finkell, Jr.,**
Spartanburg, S.C.

[73] **Assignee:** **Standard Plywoods, Incorporated,**
Clinton, S.C.

[**] **Term:** **14 Years**

[21] **Appl. No.:** **67,637**

[22] **Filed:** **Feb. 28, 1997**

[51] **LOC (6) Cl.** **25-01**

[52] **U.S. Cl.** **D25/138**

[58] **Field of Search** D25/138; 52/223.6,
52/223.7, 574, 578, 588.1, 586.2, 590.1,
590.2, 592.1

[56] **References Cited**

U.S. PATENT DOCUMENTS

| | | | | |
|------------|---------|-----------------|-------|---------|
| D. 329,914 | 9/1992 | Veilleux | | D25/138 |
| 714,987 | 12/1902 | Wolfe | . | |
| 1,527,684 | 2/1925 | Hull | | 52/574 |
| 1,859,667 | 5/1932 | Gruner | | 52/578 |
| 3,331,180 | 7/1967 | Vissing et al. | | 52/578 |
| 3,538,819 | 11/1970 | Gould et al. | . | |
| 3,731,445 | 5/1973 | Hoffmann et al. | . | |
| 3,740,914 | 6/1973 | Arnaiz et al. | . | |
| 3,914,913 | 10/1975 | Roberts | . | |
| 4,426,820 | 1/1984 | Terbrack et al. | . | |
| 4,845,907 | 7/1989 | Meek | . | |

| | | | |
|-----------|---------|------------|---|
| 5,050,362 | 9/1991 | Tal et al. | . |
| 5,052,158 | 10/1991 | D'Luzansky | . |
| 5,179,812 | 1/1993 | Hill | . |
| 5,630,304 | 5/1997 | Austin | . |

FOREIGN PATENT DOCUMENTS

| | | | |
|--------|--------|----------------|---|
| 444123 | 8/1949 | Italy | . |
| 812671 | 4/1959 | United Kingdom | . |

Primary Examiner—Doris Clark
Attorney, Agent, or Firm—Leatherwood Walker Todd & Mann, P.C.

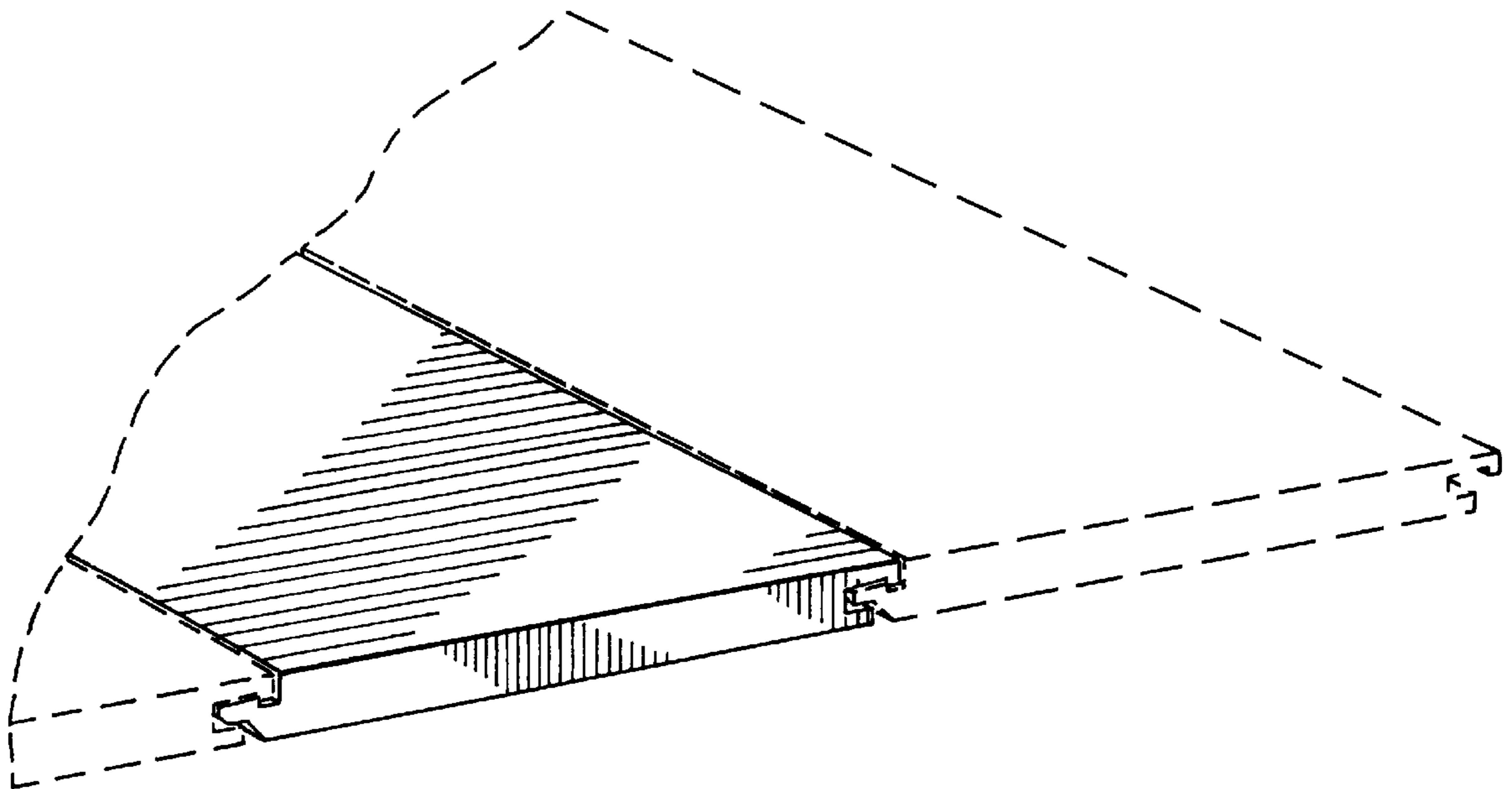
[57] **CLAIM**

The ornamental design for a flooring member, as shown and described.

DESCRIPTION

FIG. 1 is a partial perspective view of a flooring member showing my new design;
FIG. 2 is a partial perspective view of a flooring member in accordance with my new design;
FIG. 3 is a partial top plan view of a flooring member in accordance with my new design;
FIG. 4 is a partial right side elevational view thereof;
FIG. 5 is an end view thereof;
FIG. 6 is a partial bottom plan view thereof; and,
FIG. 7 is a partial left side elevational view thereof.
The broken lines are for illustrative purposes only and form no part of the claimed design.

1 Claim, 3 Drawing Sheets



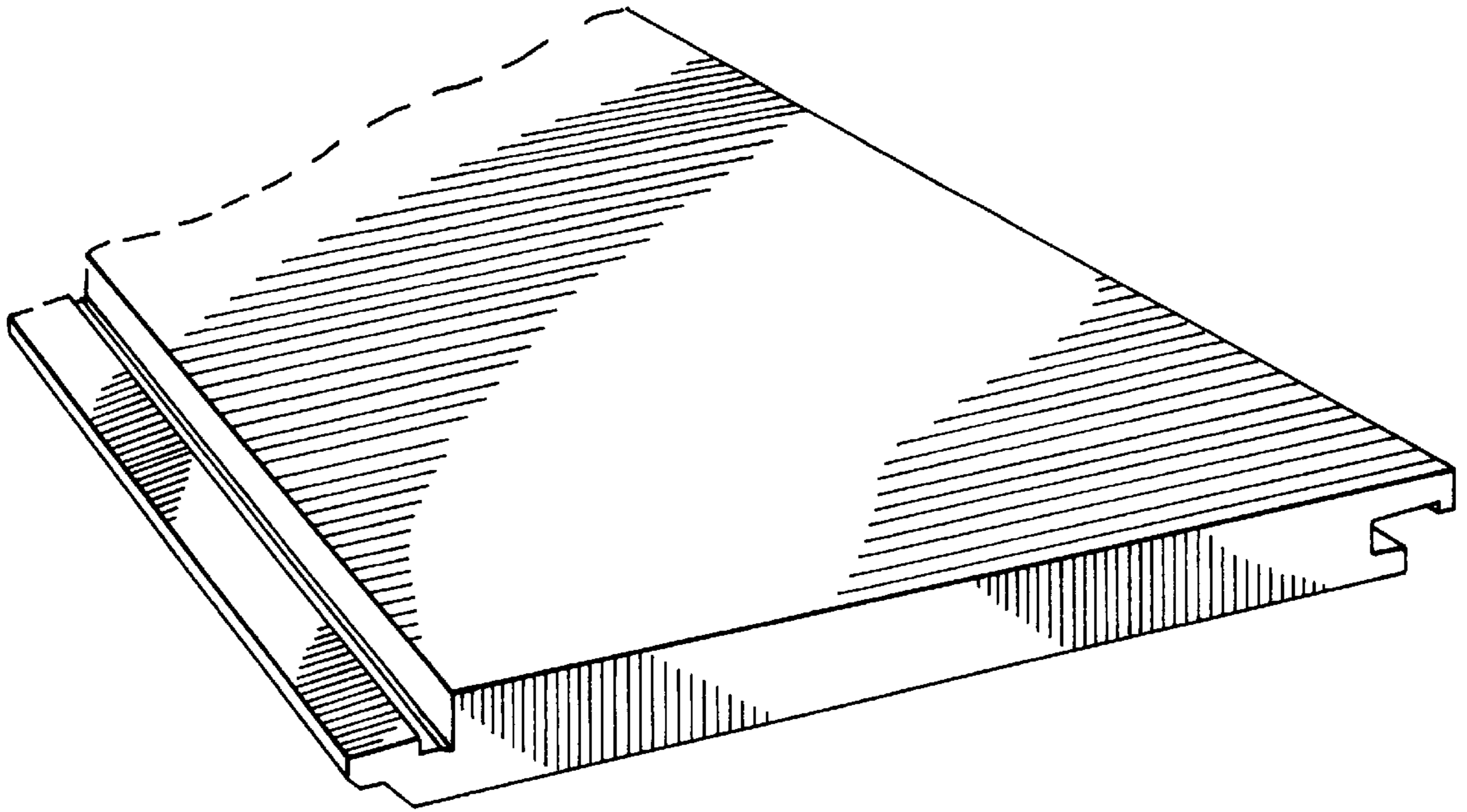


Fig. 1

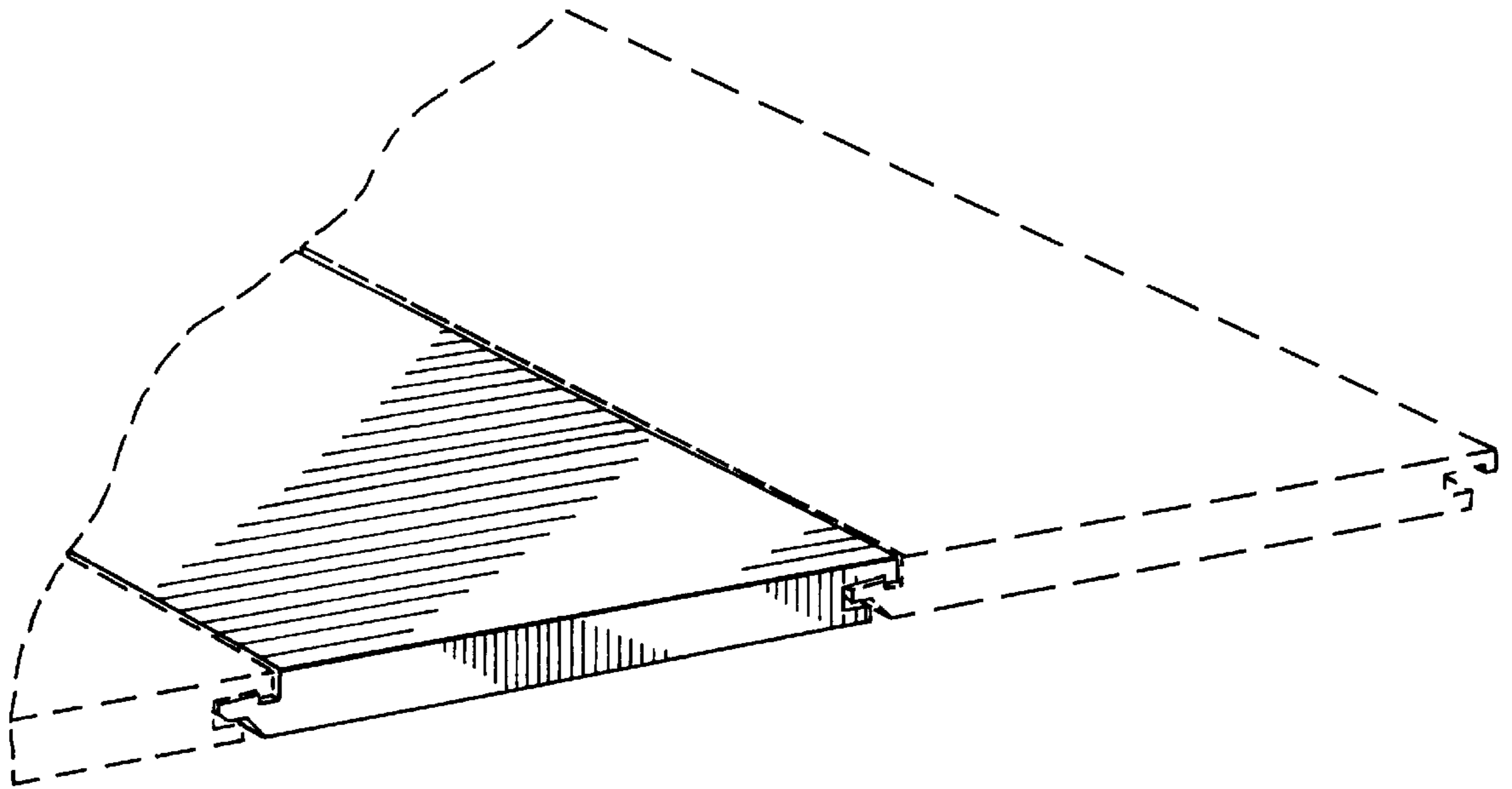


Fig. 2

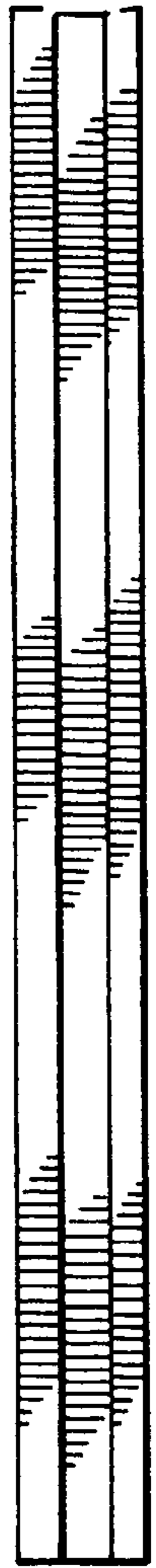
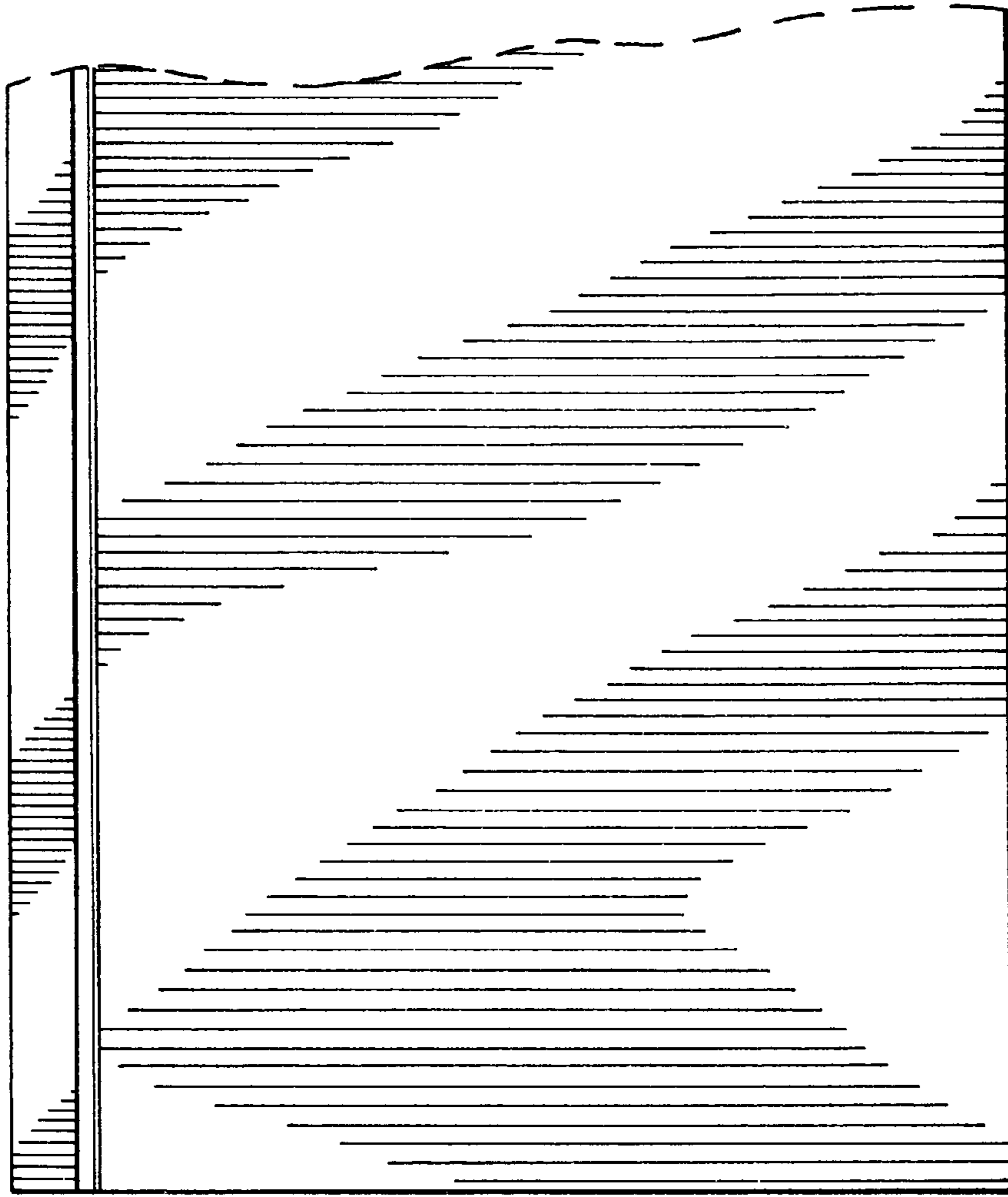


Fig. 3

Fig. 4

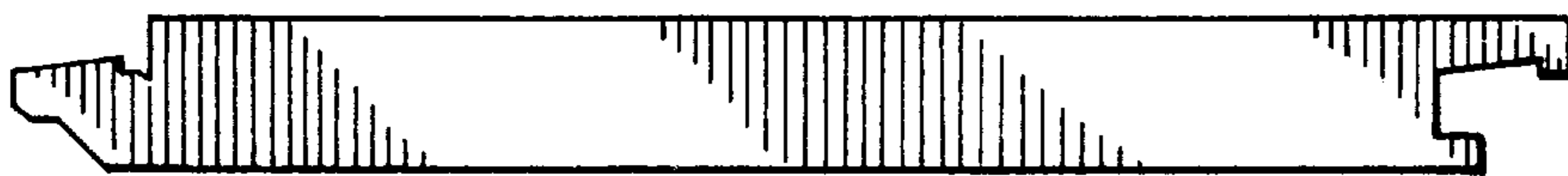


Fig. 5

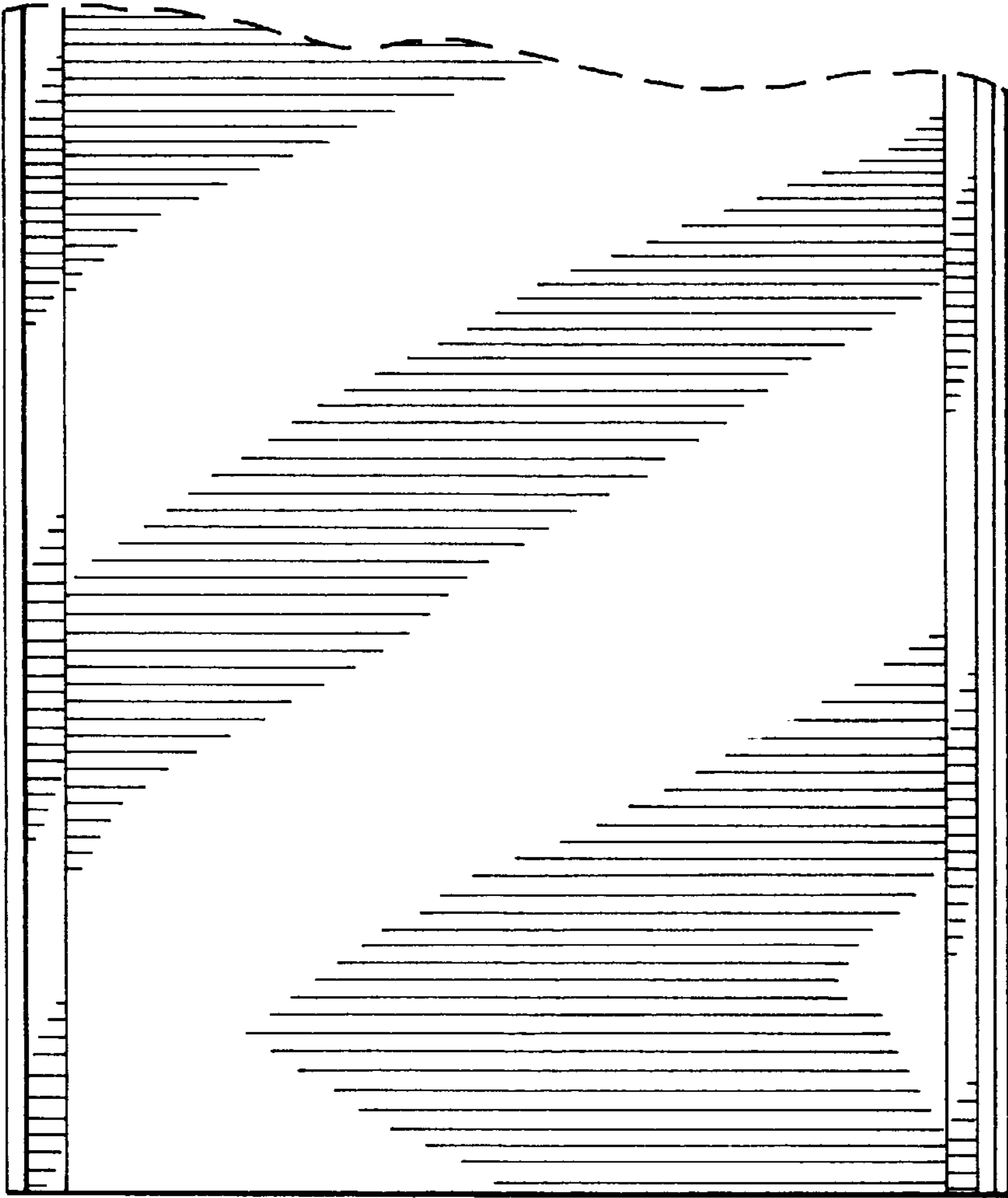


Fig. 6

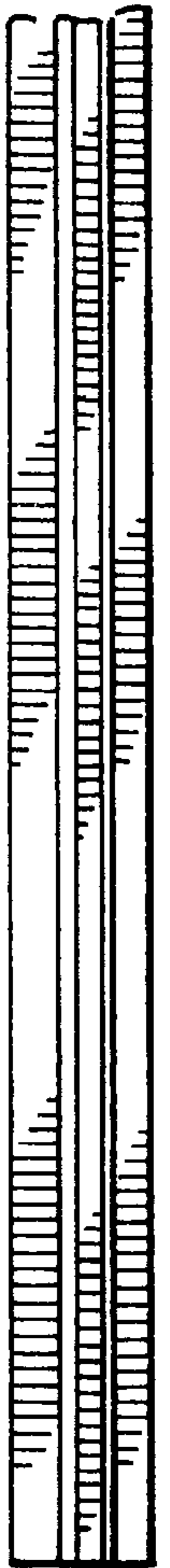


Fig. 7