



US00D406359S

United States Patent [19] Oliver

[11] **Patent Number: Des. 406,359**

[45] **Date of Patent: **Mar. 2, 1999**

[54] **WINDOW COMPONENT EXTRUSION**

D. 375,369 11/1996 DiGiorgio D25/124

[75] Inventor: **Teresa A. Oliver**, Kent, Wash.

OTHER PUBLICATIONS

Teresa A. Oliver, Mikron Part No. 7386, First sold Sep. 19, 1996.

[73] Assignee: **Mikron Industries, Inc.**, Kent, Wash.

[**] Term: **14 Years**

Primary Examiner—Doris Clark
Attorney, Agent, or Firm—Richardson & Folise

[21] Appl. No.: **84,198**

[57] CLAIM

[22] Filed: **Feb. 26, 1998**

The ornamental design for a window component extrusion, as shown and described.

[51] **LOC (6) Cl.** **25-01**

[52] **U.S. Cl.** **D25/124**

[58] **Field of Search** D25/119-124,
D25/60, 52; 49/504, 505, DIG. 2; 52/204.5,
204.56, 204.51, 204.1, 230.3

DESCRIPTION

FIG. 1 is a top right perspective view of the window component extrusion which is broken in the center indicating indefinite length; and, FIG. 2 is a bottom left perspective view of the window component extrusion shown in FIG. 1.

[56] References Cited

U.S. PATENT DOCUMENTS

D. 374,092 9/1996 Hart D25/124

1 Claim, 1 Drawing Sheet

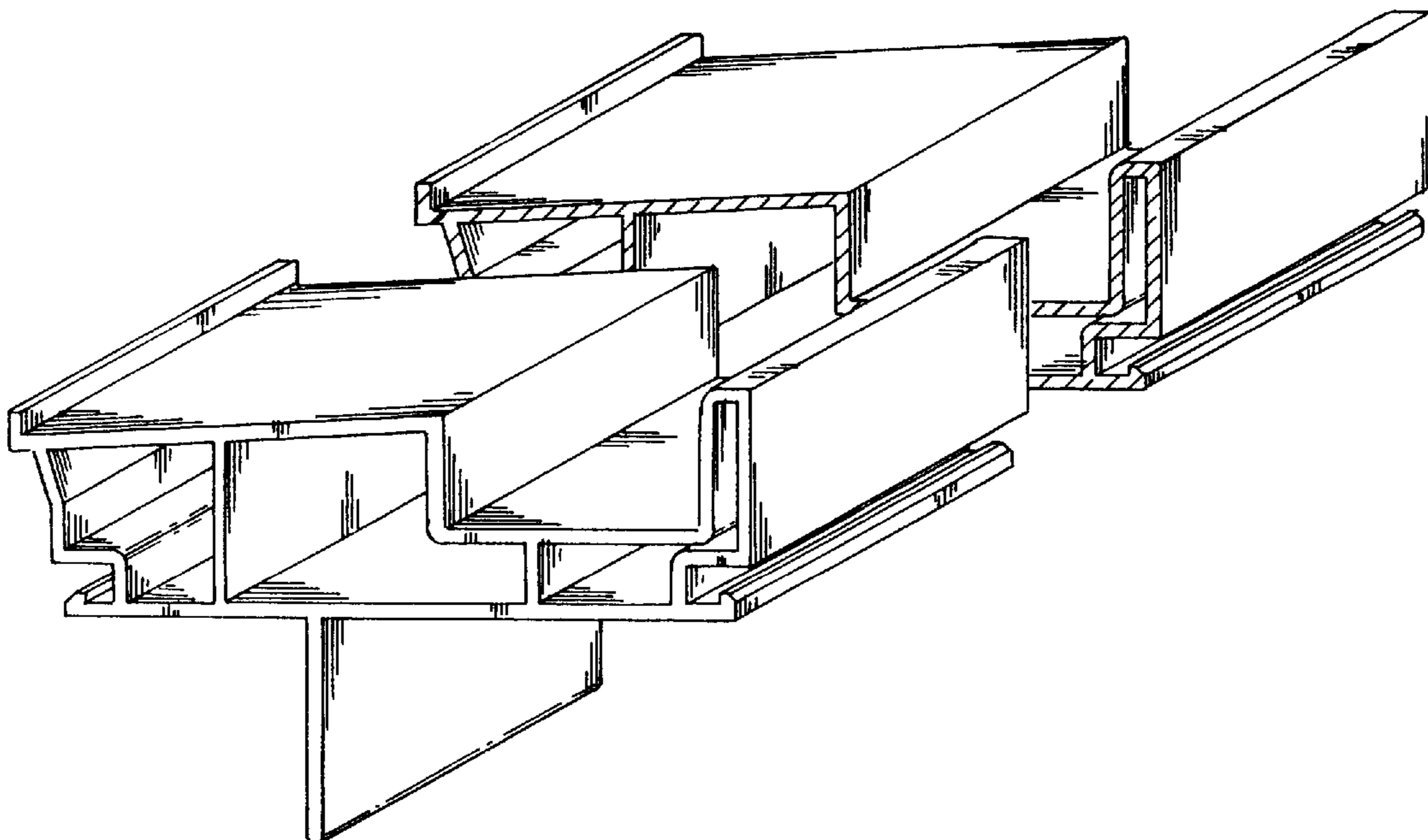


FIG. 1

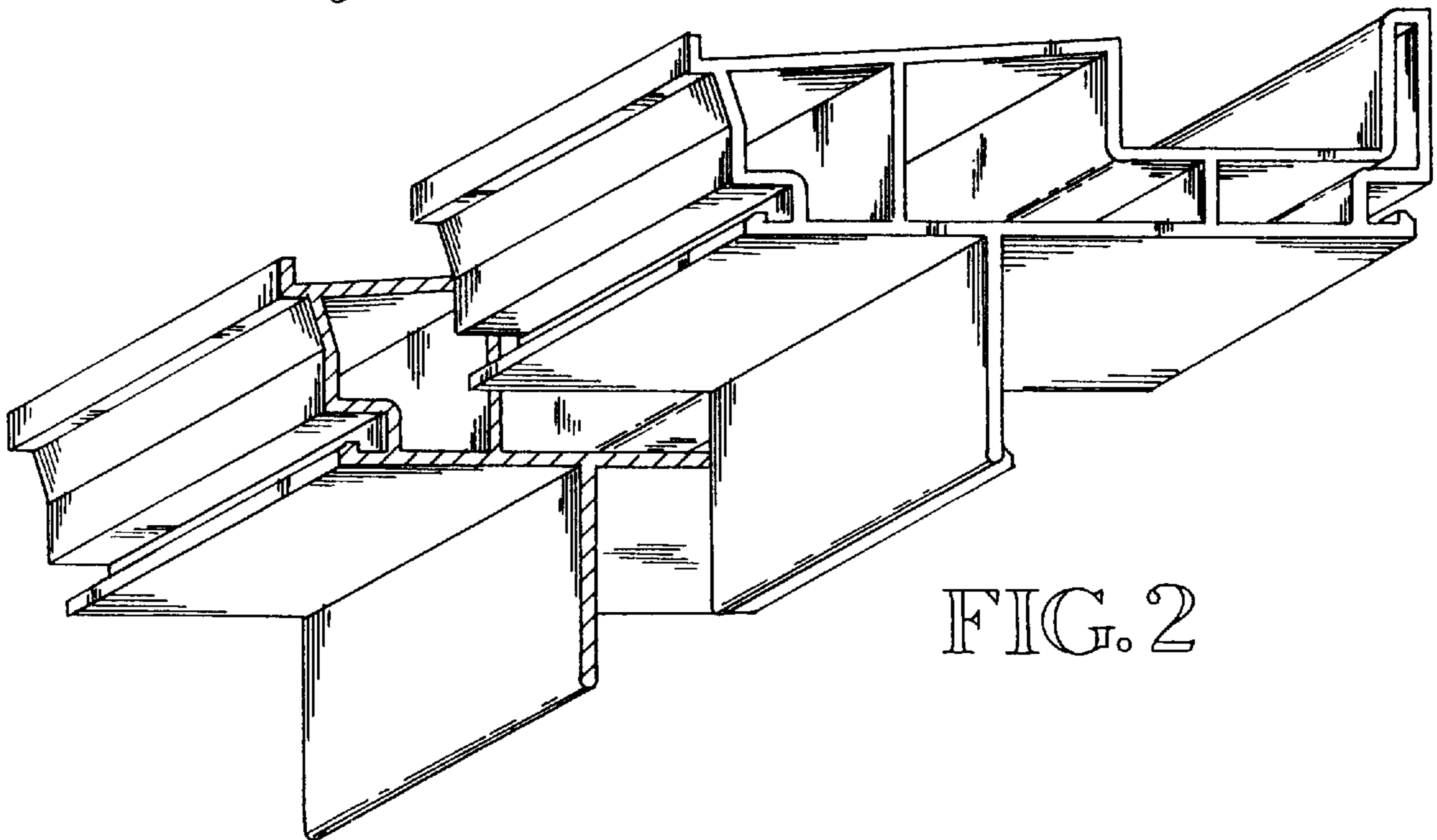
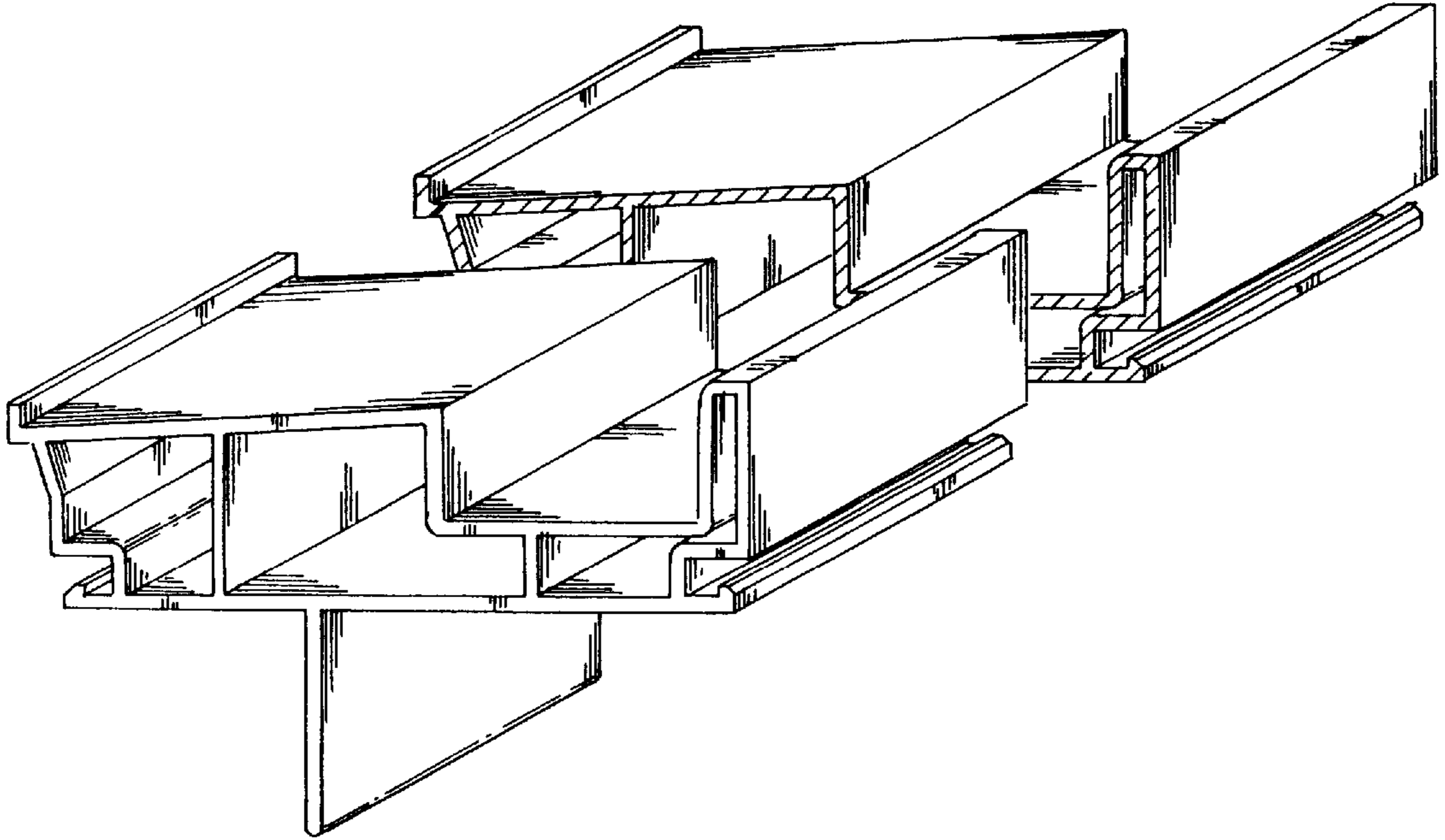


FIG. 2