



US00D406351S

United States Patent [19]

Yamazaki et al.

[11] Patent Number: **Des. 406,351**

[45] Date of Patent: ****Mar. 2, 1999**

[54] REAGENT BOTTLE

[75] Inventors: **Hajime Yamazaki**, Hitachinakashi;
Hiroshi Mitsumaki, Mito; **Tadashi Ohishi**, Ibaraki-ken; **Atsushi Katayama**, Kokubunji; **Hiroyuki Kuriyama**, Tokyo, all of Japan; **Albert Wohland**, Viernheim; **Alfred Resch**, Hirschberg, both of Germany

[73] Assignee: **Hitachi, Ltd.**, Tokyo, Japan

[**] Term: **14 Years**

[21] Appl. No.: **78,127**

[22] Filed: **Oct. 20, 1997**

[30] **Foreign Application Priority Data**

Apr. 21, 1997 [JP] Japan 9-51768

[51] LOC (6) Cl. **24-01**

[52] U.S. Cl. **D24/224**

[58] Field of Search D24/244, 121;
D9/516, 523, 520, 530, 572, 575; 436/165,
160, 145; 422/102, 104, 72, 103; 215/379,
373, 371

[56] **References Cited**

U.S. PATENT DOCUMENTS

D. 208,011 6/1967 Swayze D9/523

D. 287,638 1/1987 Moore et al. D24/224

D. 332,544 1/1993 Steiner et al. D9/523
D. 342,140 12/1993 Sakamagi et al. D24/224
D. 353,464 12/1994 Ushikubo D24/224
D. 358,219 5/1995 Ushikubo D24/224
D. 380,553 7/1997 Riekkinen D24/224
5,152,965 10/1992 Fisk et al. 422/102

OTHER PUBLICATIONS

Japanese Design Protection Association, Official Gazette of Design, HH07026466, Apr. 12, 1994.

Japanese Design Protection Association, Official Gazette of Design, HH07016093, Jul. 15, 1994.

Primary Examiner—Ruth McInroy

Assistant Examiner—G. Andoll

Attorney, Agent, or Firm—Antonelli, Terry, Stout & Kraus, LLP

[57] **CLAIM**

The ornamental design for a reagent bottle, as shown and described.

DESCRIPTION

FIG. 1 is a front, right side and top perspective view of a reagent bottle showing our new design; FIG. 2 is a left side elevational view; FIG. 3 is a front elevational view; FIG. 4 is a right side elevational view; FIG. 5 is a top plan view; FIG. 6 is a rear elevational view; and, FIG. 7 is a bottom plan view thereof.

1 Claim, 2 Drawing Sheets

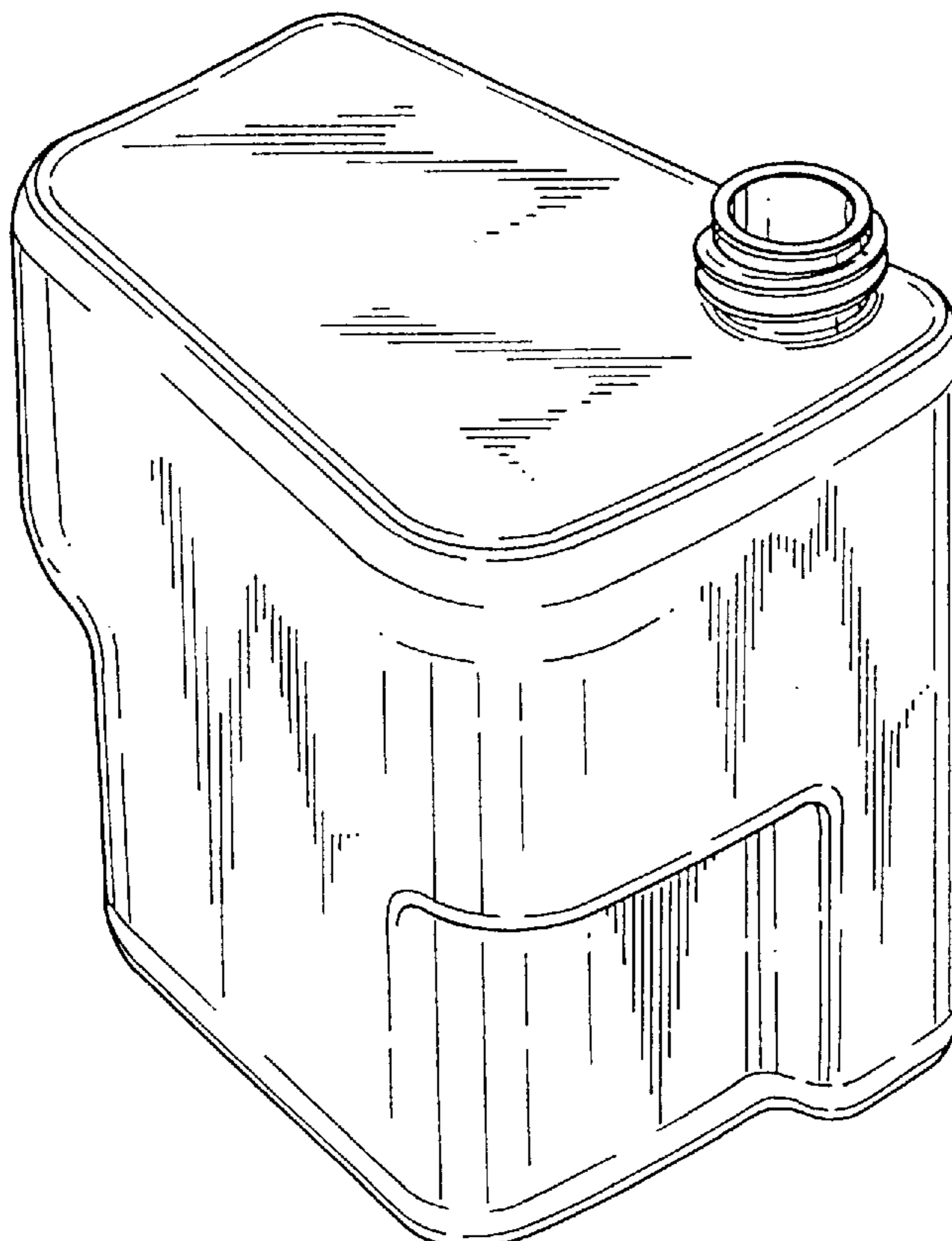


FIG. 1

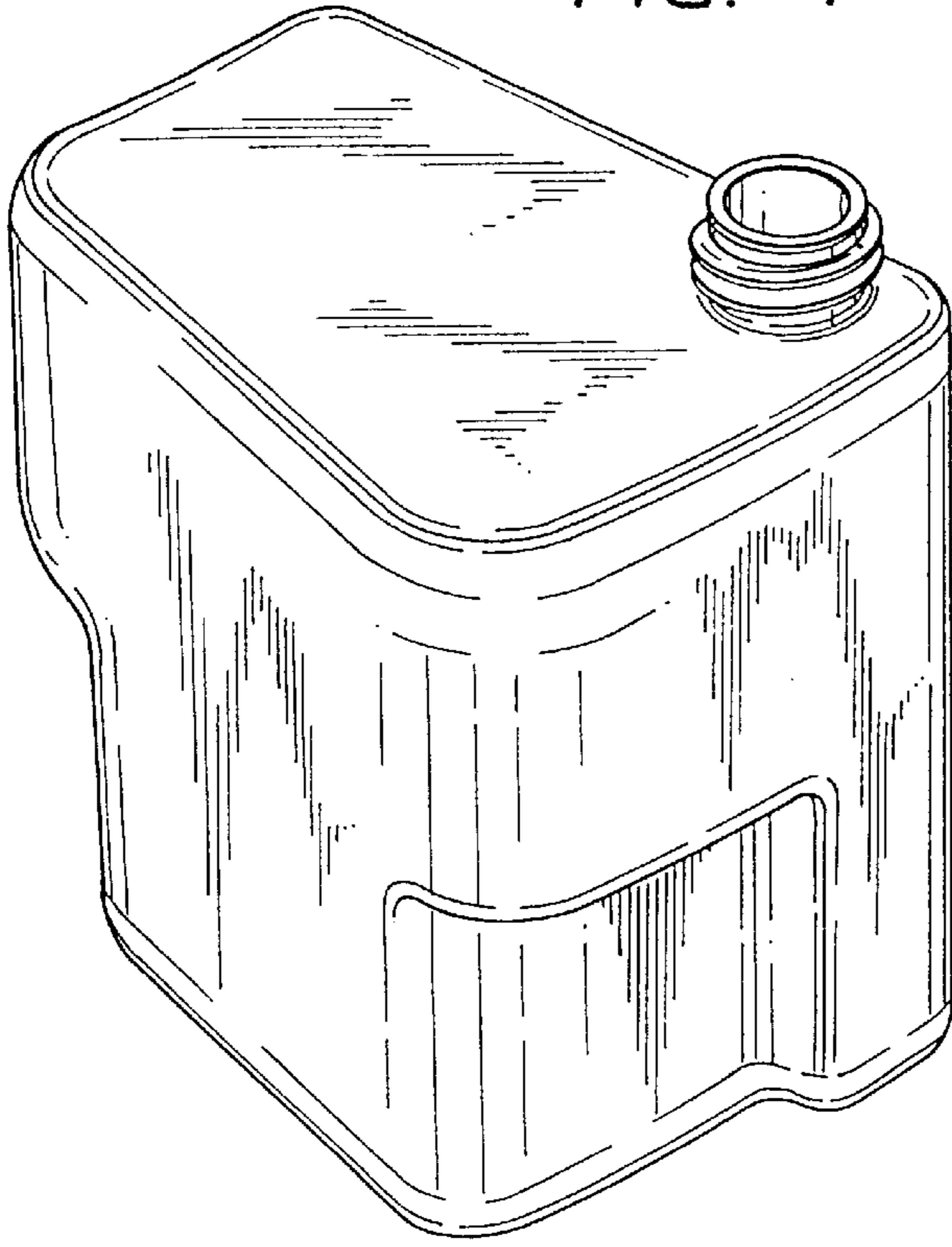


FIG. 2

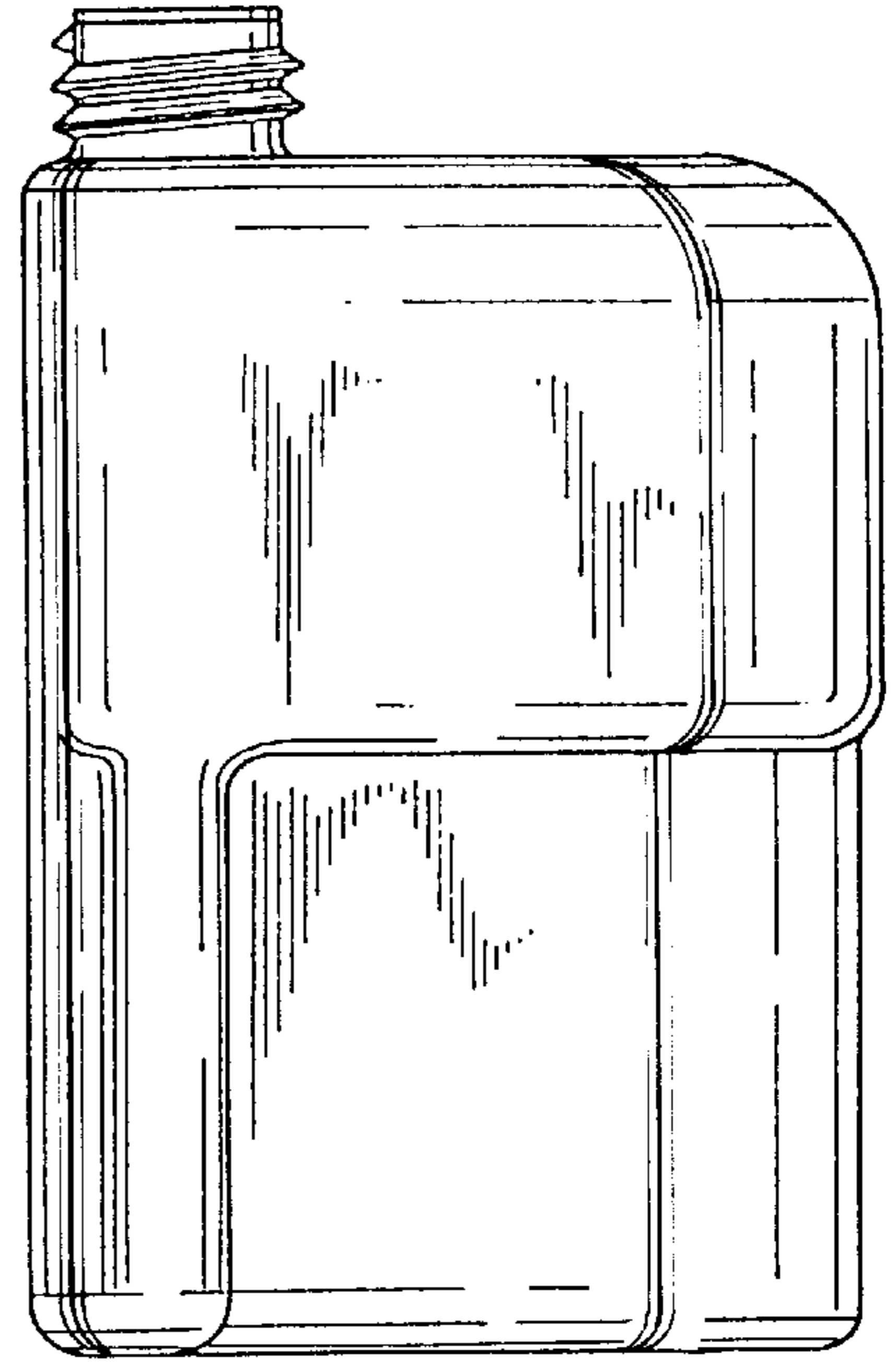


FIG. 3

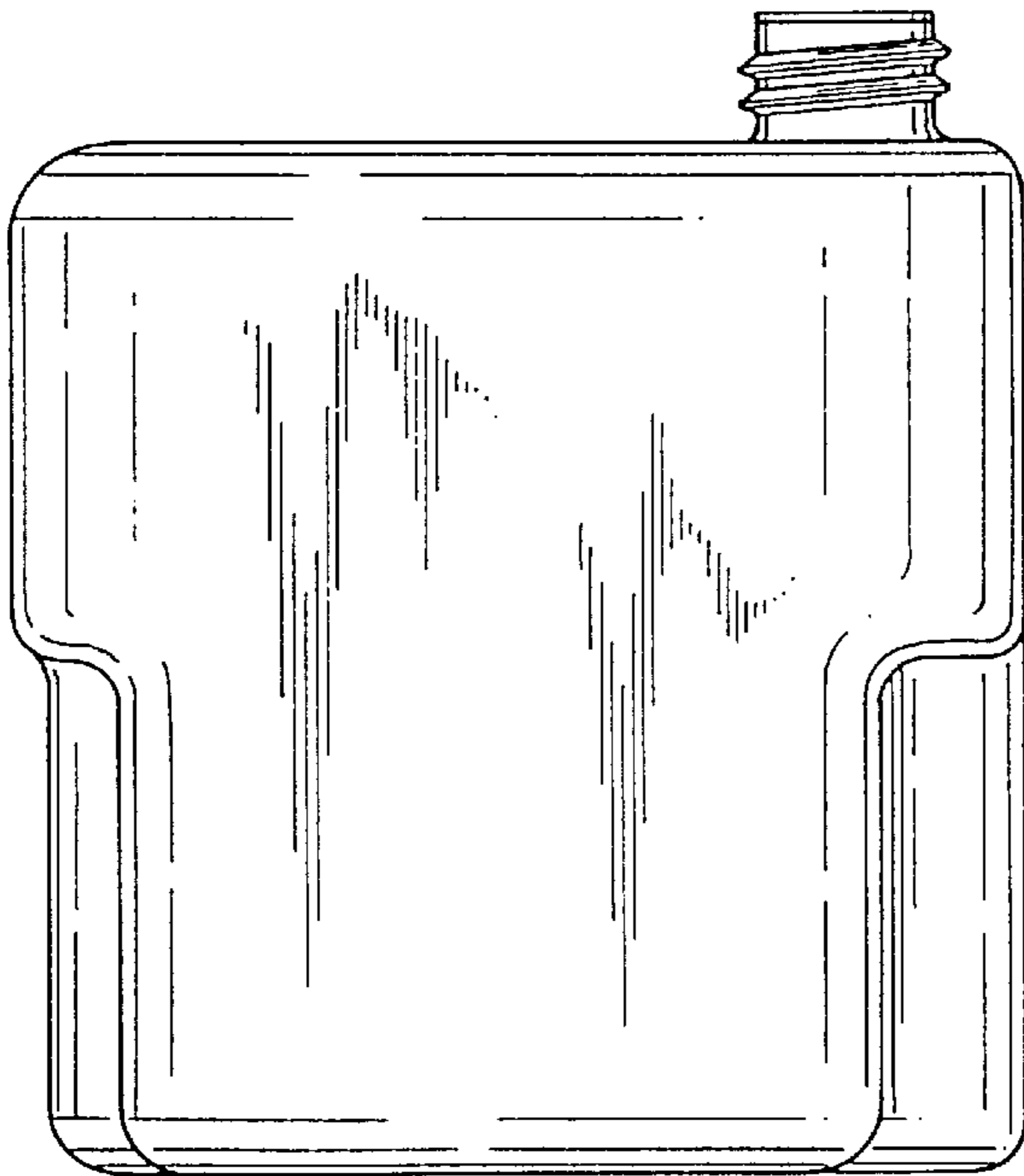


FIG. 4

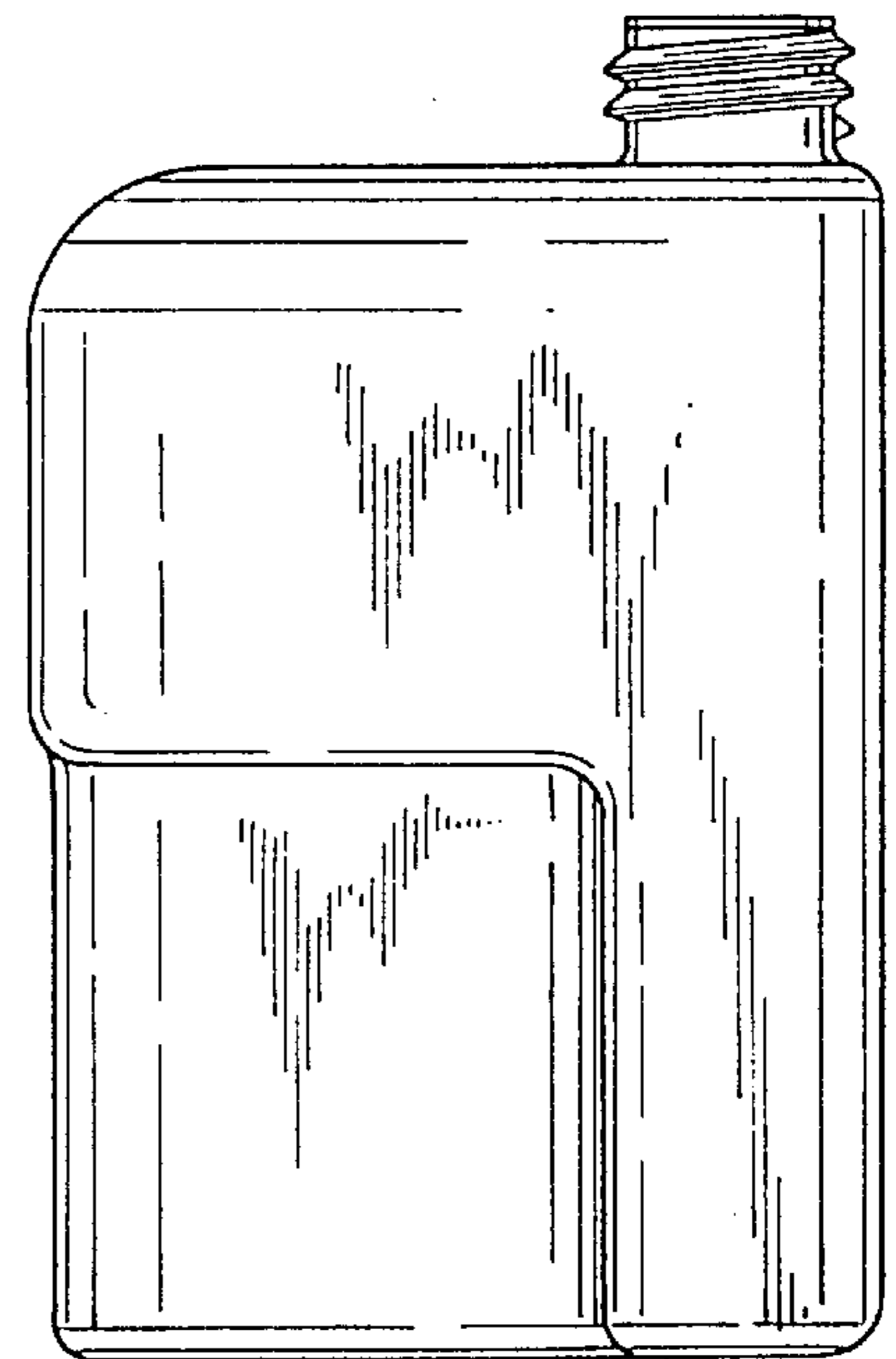


FIG. 5

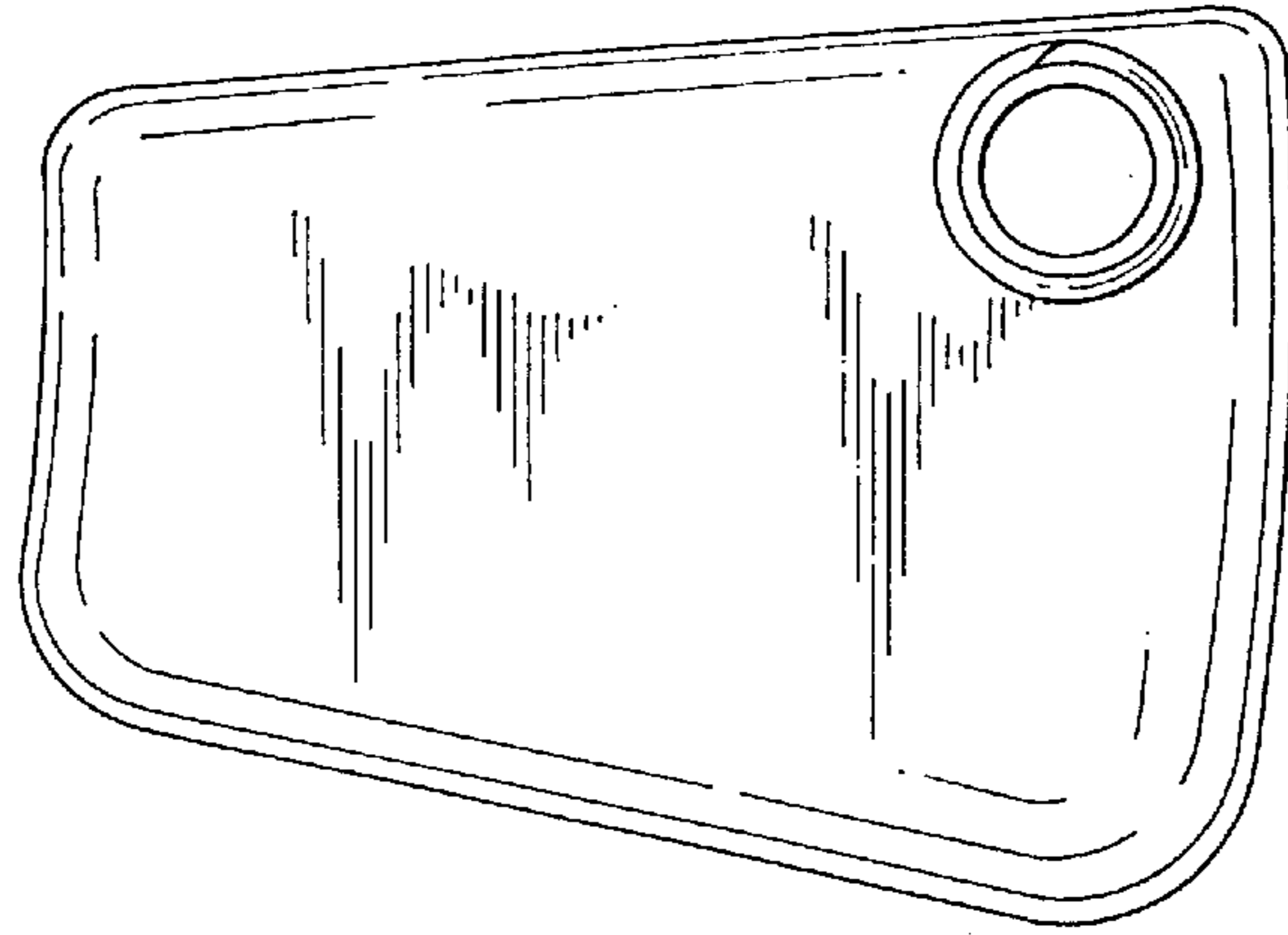


FIG. 6

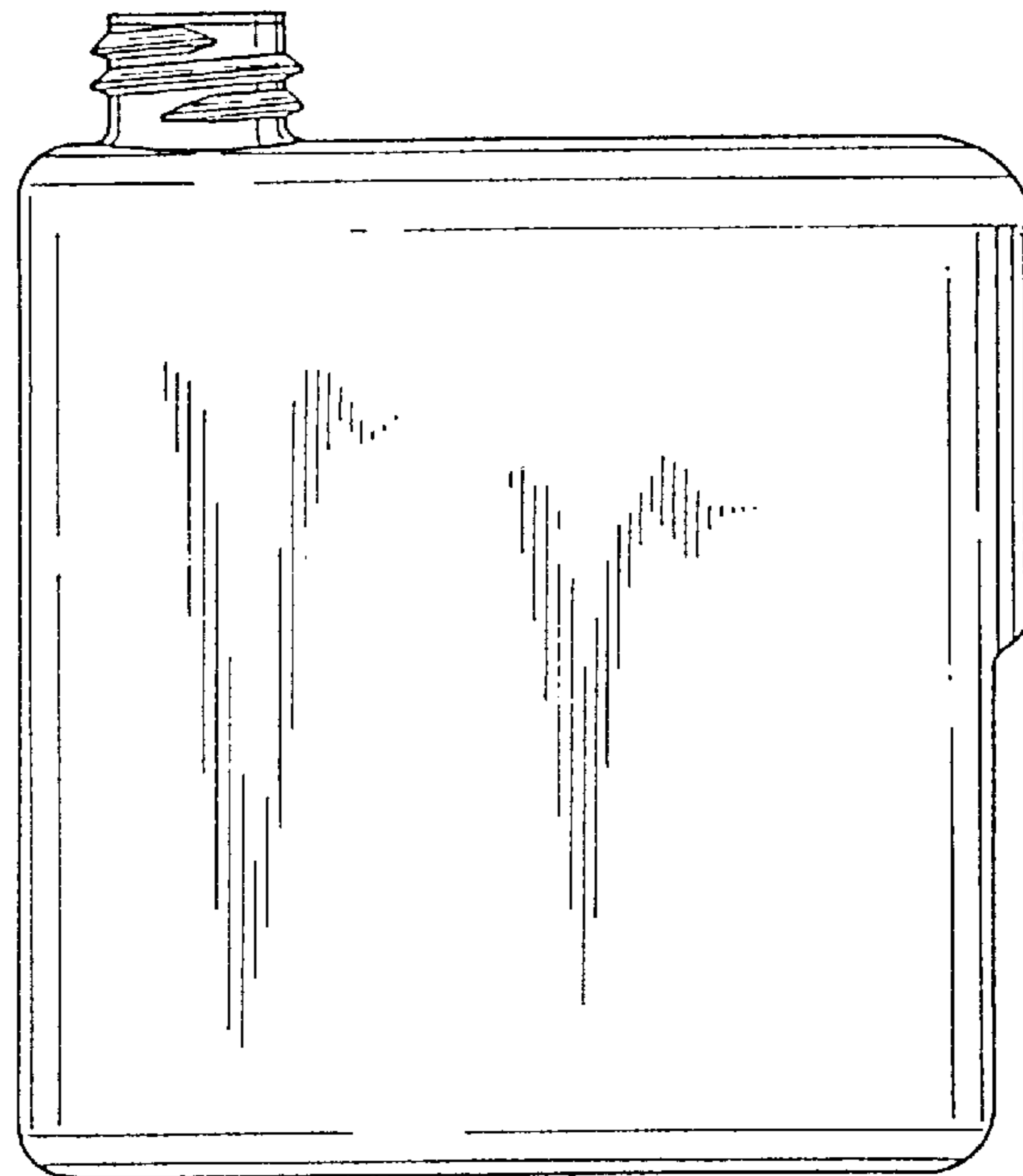


FIG. 7

