



US00D406347S

United States Patent [19]

Sullenberger et al.

[11] Patent Number: **Des. 406,347**

[45] Date of Patent: ****Mar. 2, 1999**

[54] ANKLE HOLDER FOR MRI APPARATUS

[75] Inventors: **Peter C. Sullenberger**, Seattle, Wash.;
Masaaki Sakuma; **Kenji Suzuki**, both
of Tokyo, Japan; **Kazuhiko Hayakawa**,
Kanagawa, Japan; **Yasushi Kato**,
Tokyo, Japan

[73] Assignee: **GE Yokogawa Medical Systems,
Limited**, Tokyo, Japan

[**] Term: **14 Years**

[21] Appl. No.: **77,190**

[22] Filed: **Sep. 29, 1997**

[51] LOC (6) Cl. **24-01**

[52] U.S. Cl. **D24/184; D24/183; D24/158;
D24/159**

[58] Field of Search **D24/158, 159,
D24/183, 184; 5/649, 650, 651; 324/318;
600/410, 415**

[56] **References Cited**

U.S. PATENT DOCUMENTS

D. 376,428 12/1996 Lipson et al. D24/183

4,323,080 4/1982 Melhart 5/650
4,717,133 1/1988 Walsh et al. 5/650
4,827,496 5/1989 Cheney 5/651
5,445,152 8/1995 Bell et al. 600/415
5,562,094 10/1996 Bonutti 600/415

Primary Examiner—Louis S. Zarfaz
Assistant Examiner—G. Andoll
Attorney, Agent, or Firm—Moonray Kojima

[57] **CLAIM**

The ornamental design for an ankle holder for MRI apparatus, as shown and described.

DESCRIPTION

FIG. 1 is a top perspective view of an ankle holder for MRI apparatus, showing my new design;
FIG. 2 is a top view thereof;
FIG. 3 is a bottom view thereof;
FIG. 4 is a right side elevational view thereof, the left side being a mirror image;
FIG. 5 is a front elevational view thereof; and,
FIG. 6 is a rear elevational view thereof.
The surfaces of the ankle holder for MRI apparatus, not shown, form no part of the claimed design.

1 Claim, 5 Drawing Sheets

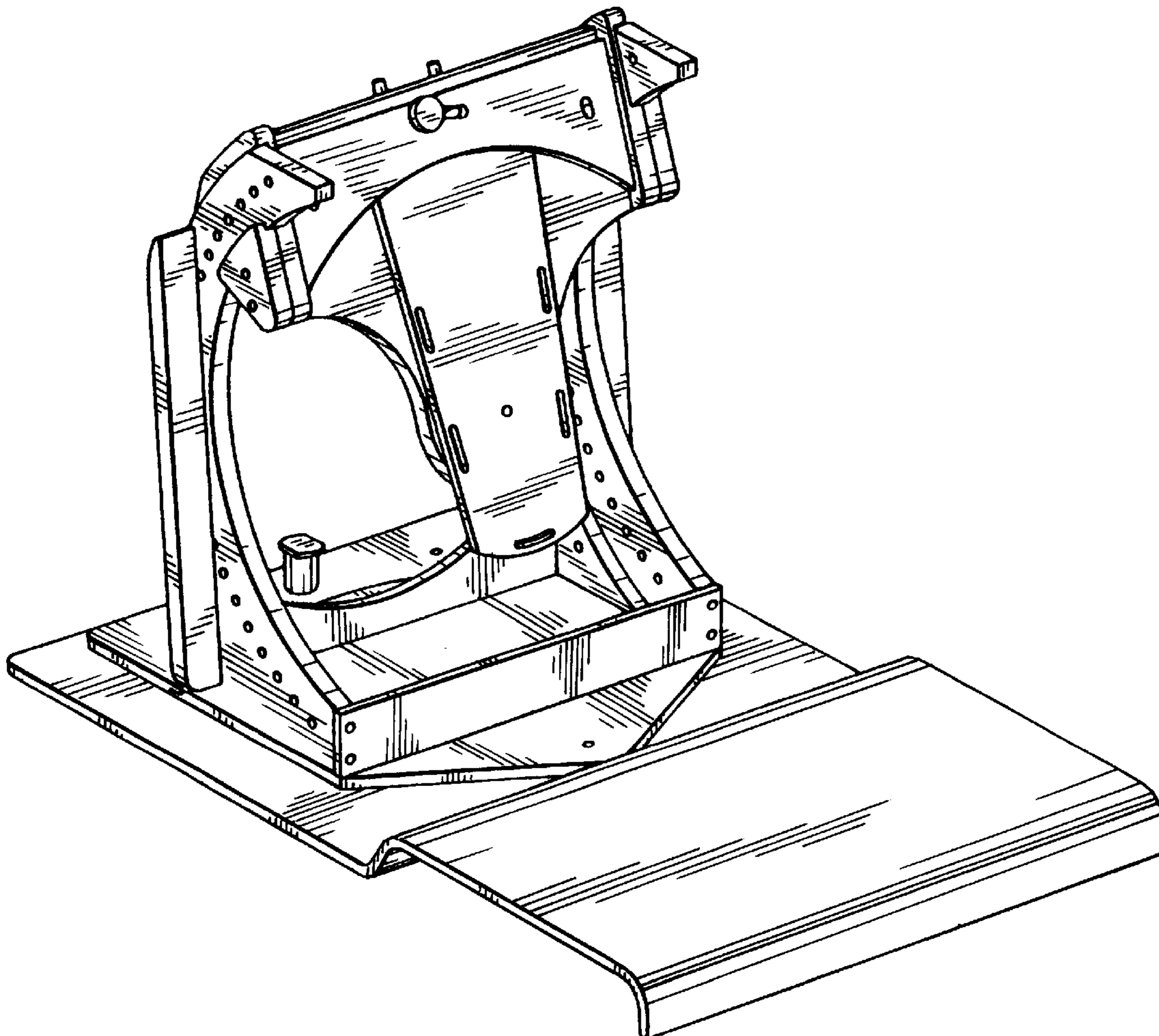


FIG. 1

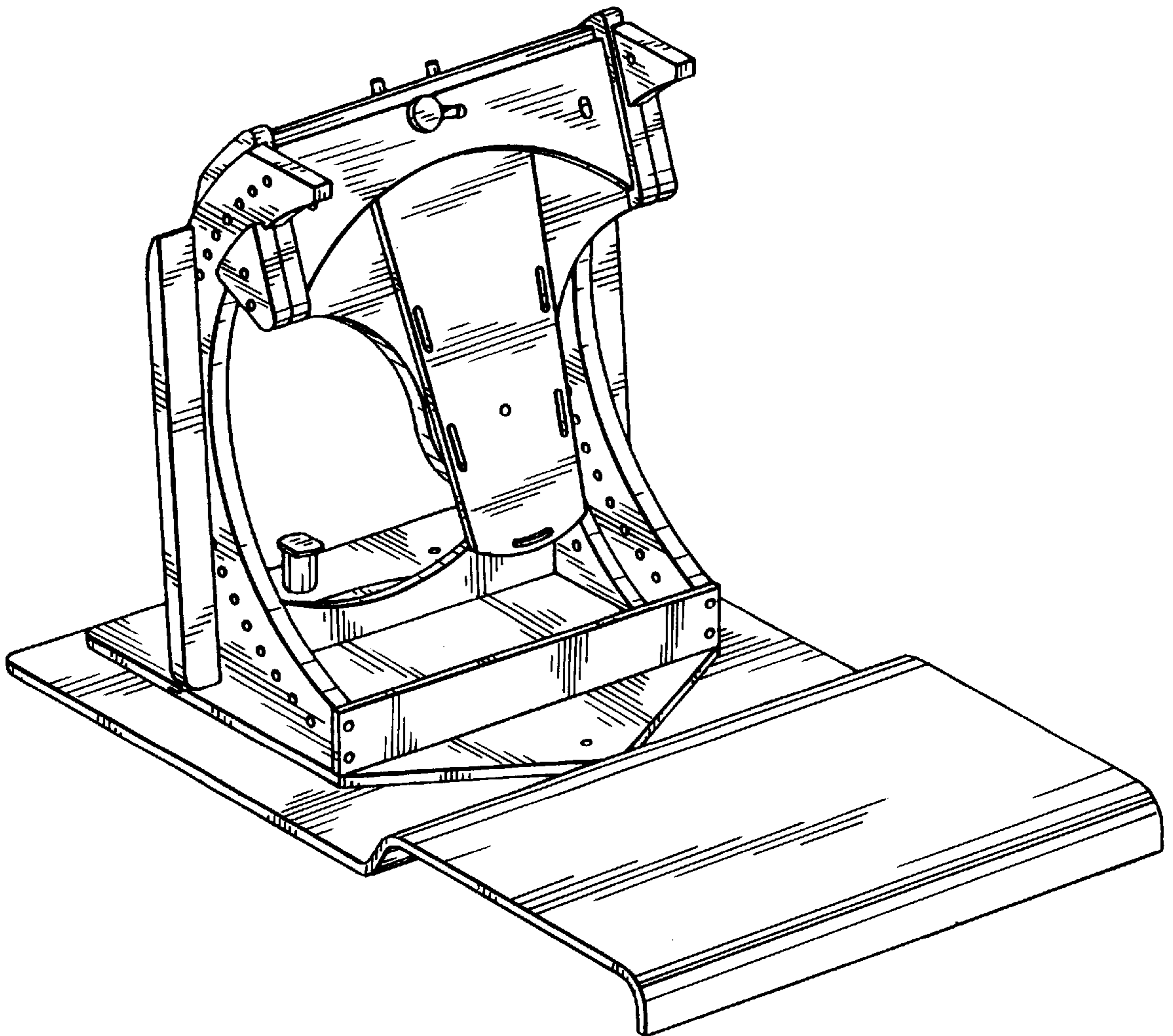


FIG. 2

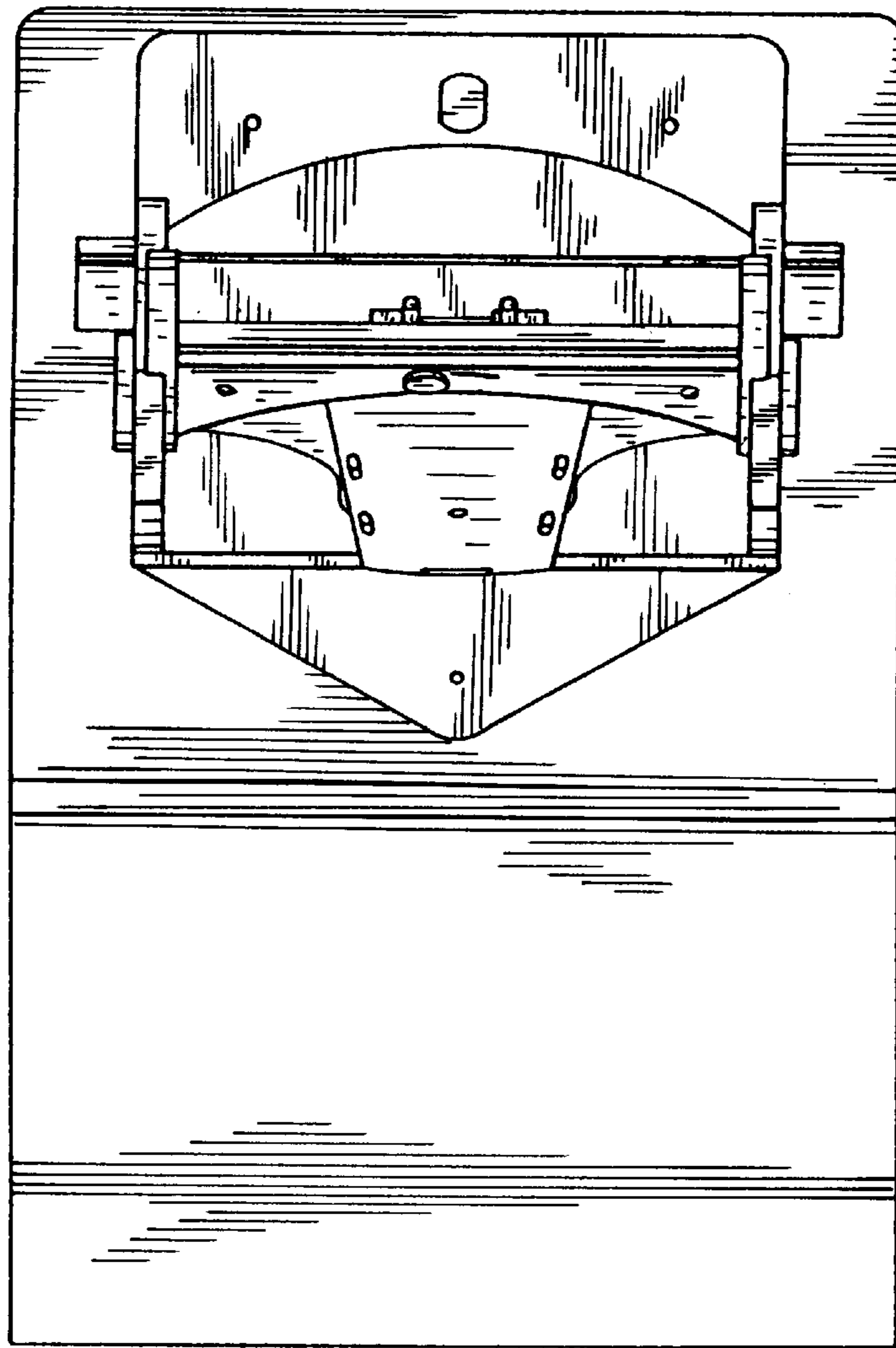


FIG. 3

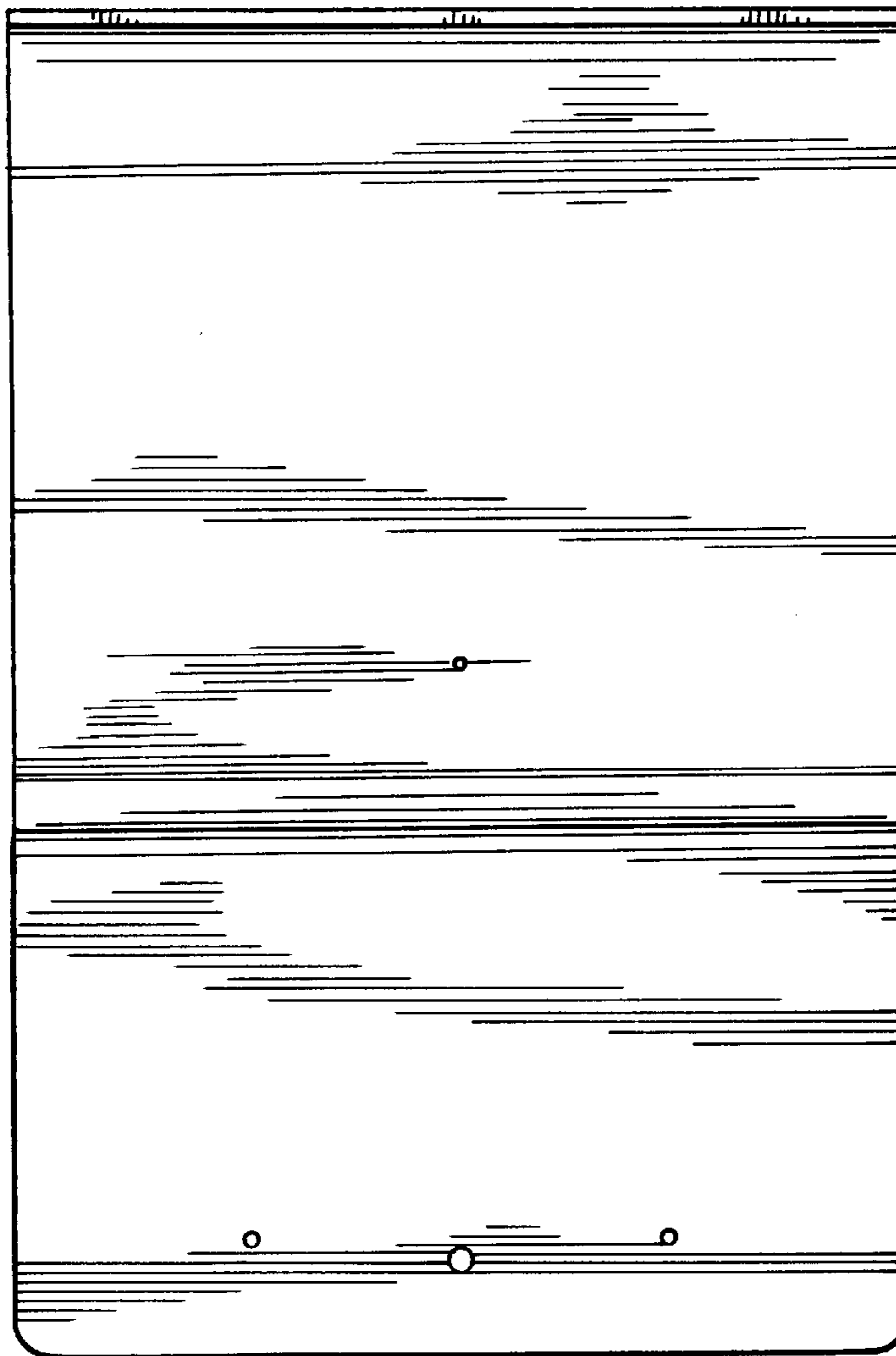


FIG. 4

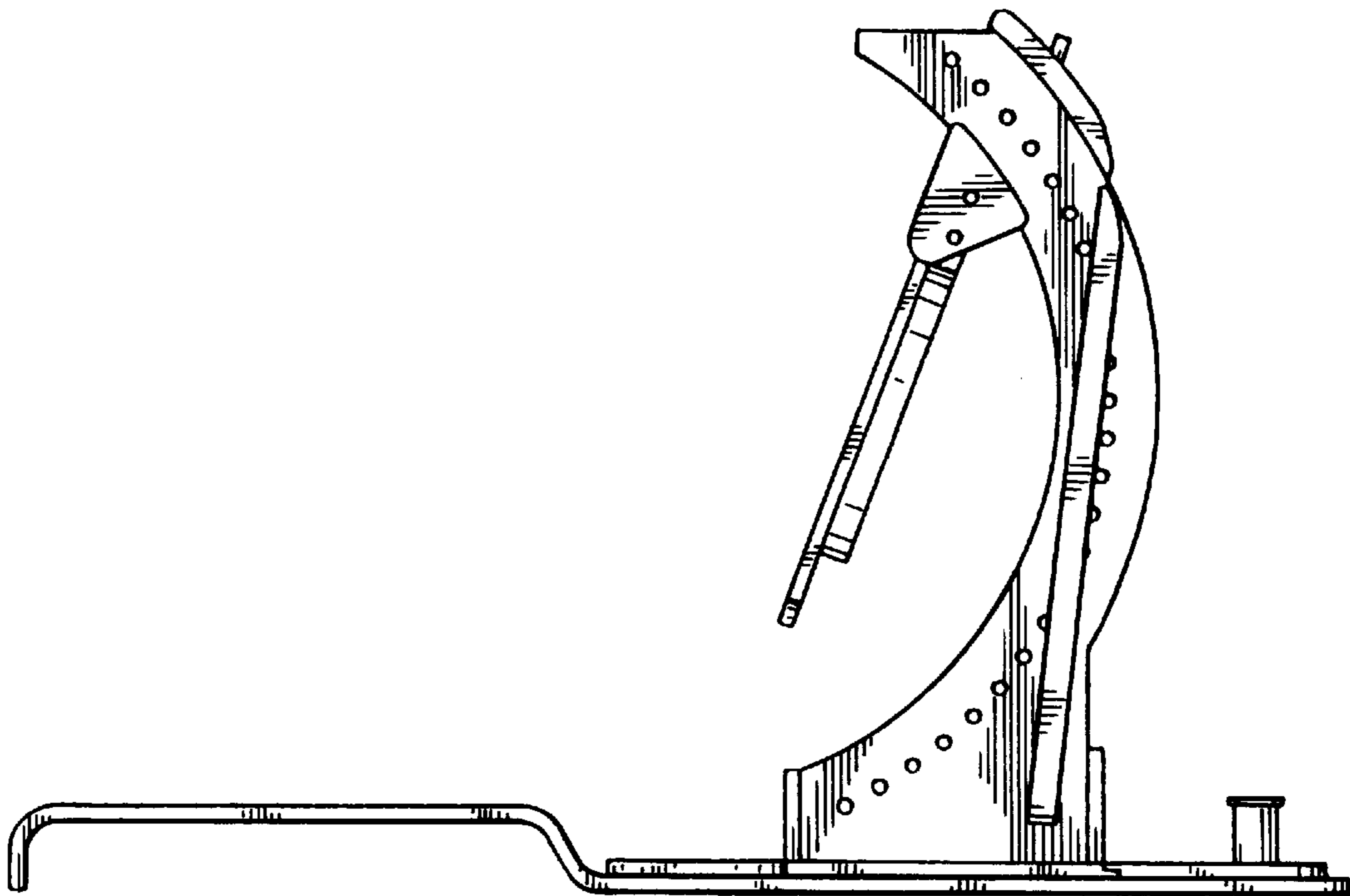


FIG. 5

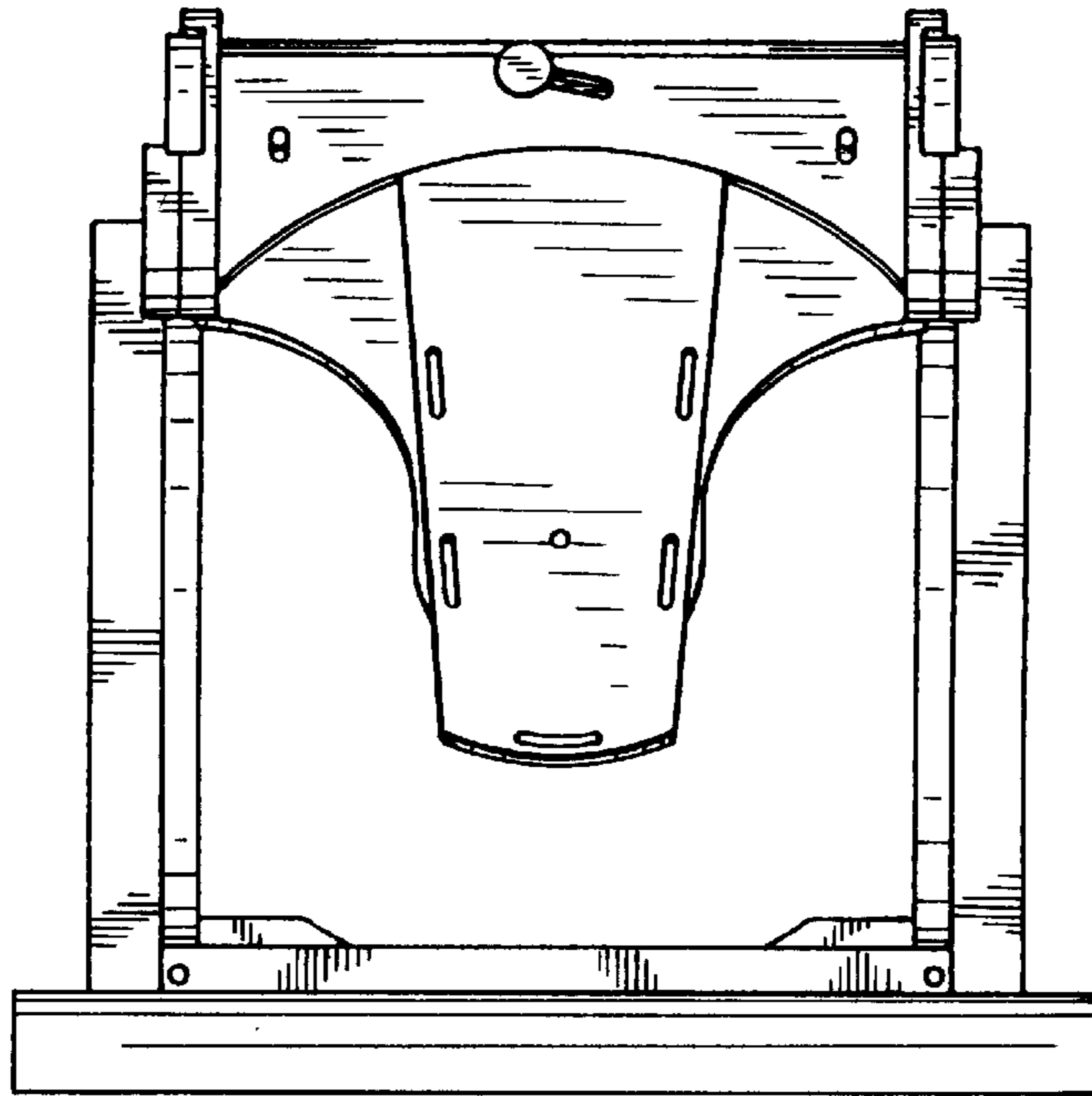


FIG. 6

