



US00D406346S

United States Patent [19]
Hirakawa

[11] **Patent Number: Des. 406,346**
[45] **Date of Patent: **Mar. 2, 1999**

[54] **SPHYGMOMANOMETER**

5,687,732 11/1997 Inagaki et al. 600/485
5,795,300 8/1998 Bryars 600/500

[75] Inventor: **Maki Hirakawa**, Osaka-fu, Japan

[73] Assignee: **Matsushita Electric Works, Ltd.**,
Osaka, Japan

[**] Term: **14 Years**

Primary Examiner—Stella Reid
Attorney, Agent, or Firm—Burns, Doane, Swecker &
Mathis, L.L.P.; William A. Knoeller

[21] Appl. No.: **77,809**

[57] **CLAIM**

The ornamental design for sphygmomanometer, as shown
and described.

[22] Filed: **Oct. 14, 1997**

DESCRIPTION

[30] **Foreign Application Priority Data**

Apr. 11, 1997 [JP] Japan 9-51069

FIG. 1 is a perspective view of a sphygmomanometer,
showing my new design;
FIG. 2 is another perspective view thereof, the broken
showing is for illustrative purposes only and forms no part
of the claimed design;
FIG. 3 is a front view thereof;
FIG. 4 is a rear view thereof;
FIG. 5 is a top view thereof;
FIG. 6 is a bottom view thereof;
FIG. 7 is a right side view thereof; and,
FIG. 8 is a left side view thereof.

[51] **LOC (6) Cl.** **24-01**

[52] **U.S. Cl.** **D24/165**

[58] **Field of Search** D24/165; 600/503,
600/502, 499, 494, 490, 492, 500, 485

[56] **References Cited**

U.S. PATENT DOCUMENTS

- D. 345,607 3/1994 Sodeoka et al. D24/165
- D. 356,377 3/1995 Tsubota et al. D24/165
- D. 373,419 9/1996 Muramatsu et al. D24/165

1 Claim, 4 Drawing Sheets

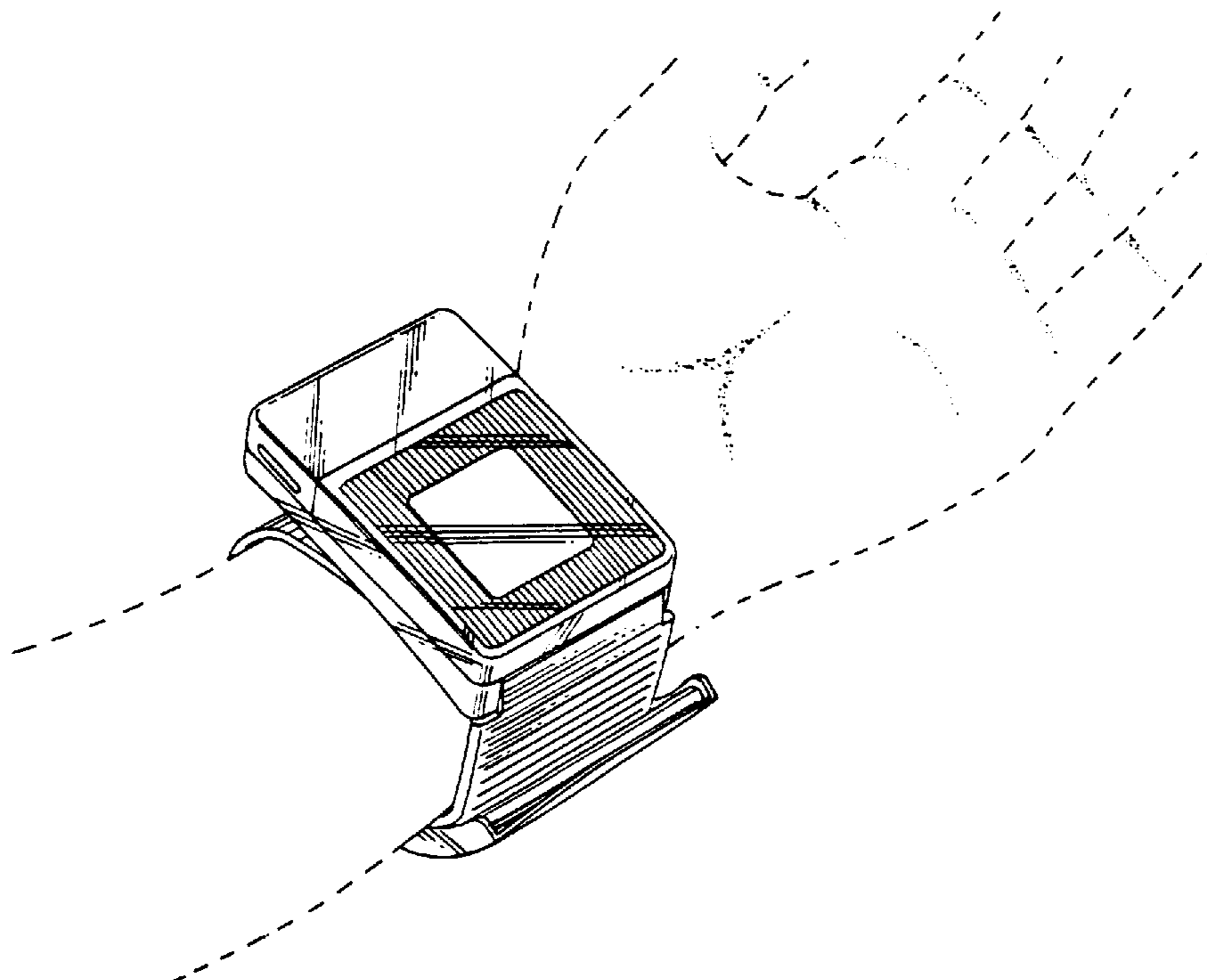


FIG. 1

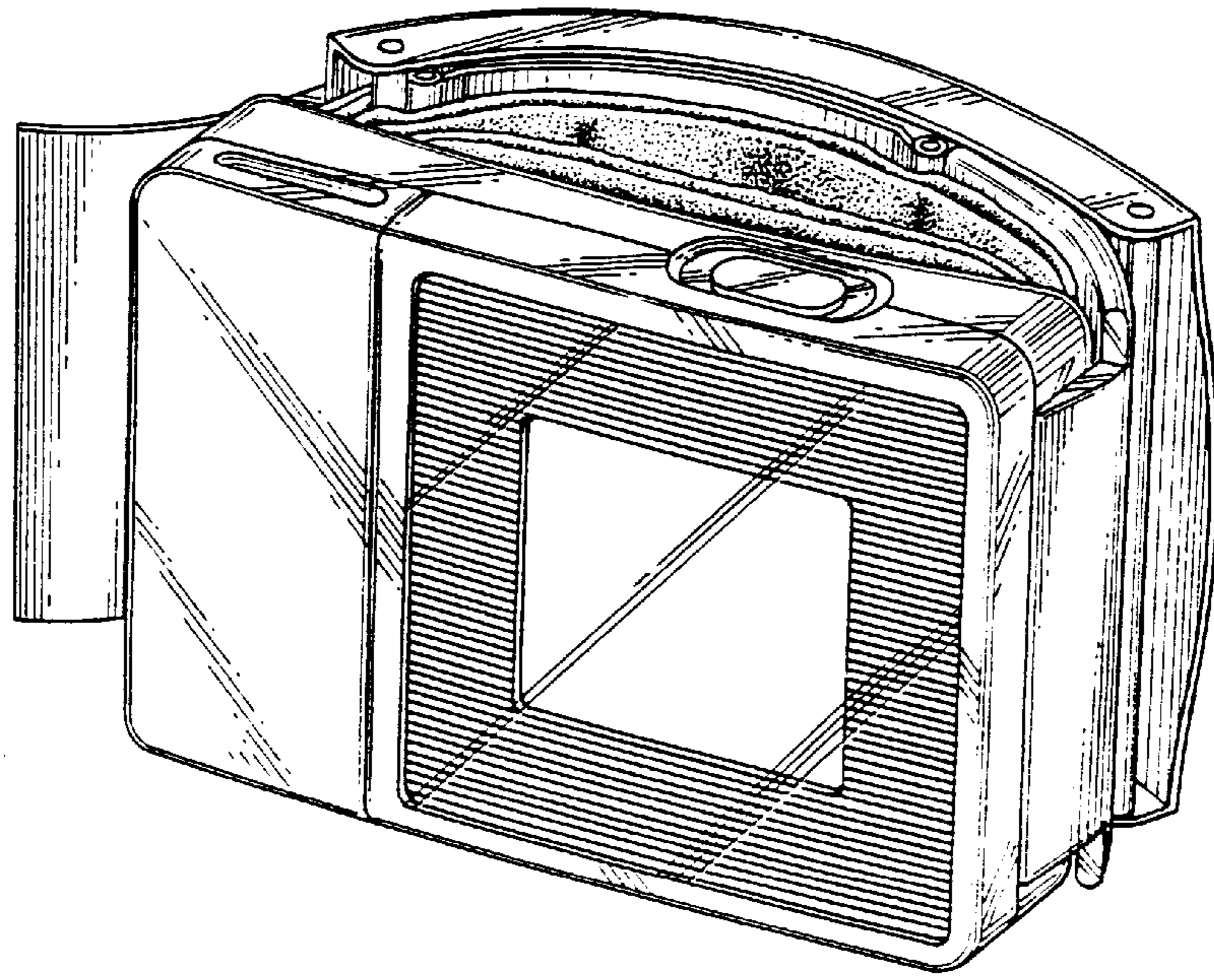


FIG. 2

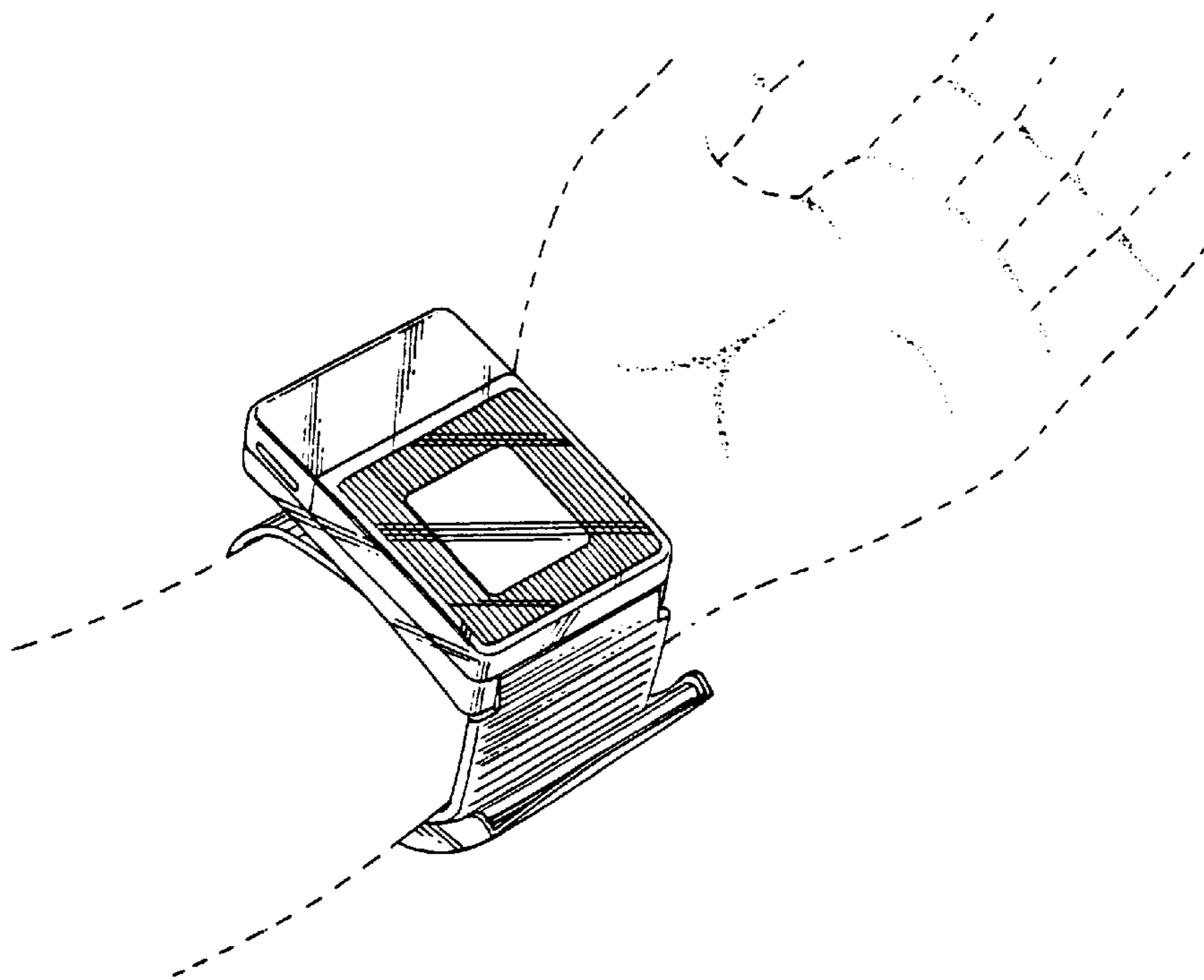


FIG. 3

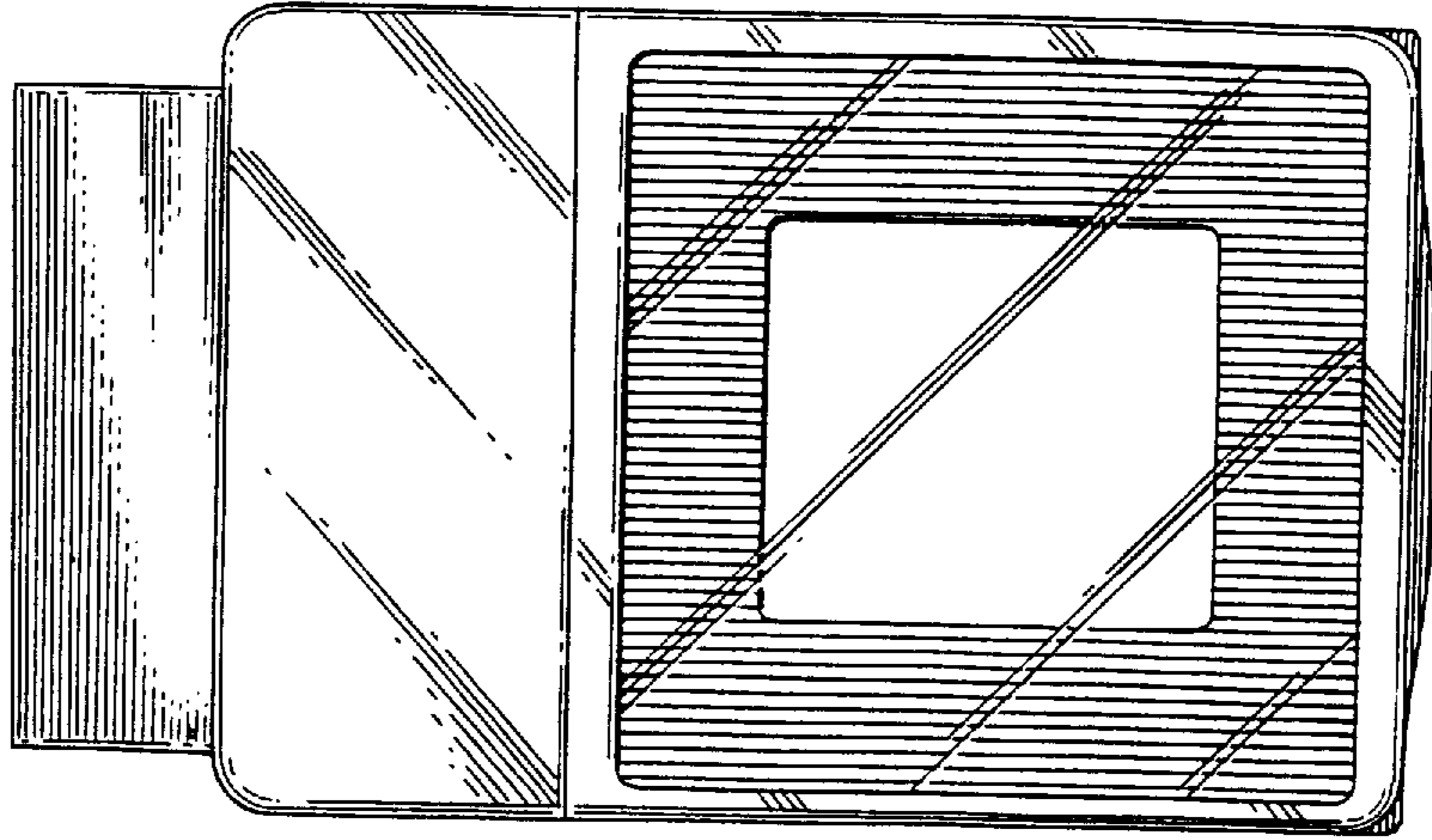


FIG. 4

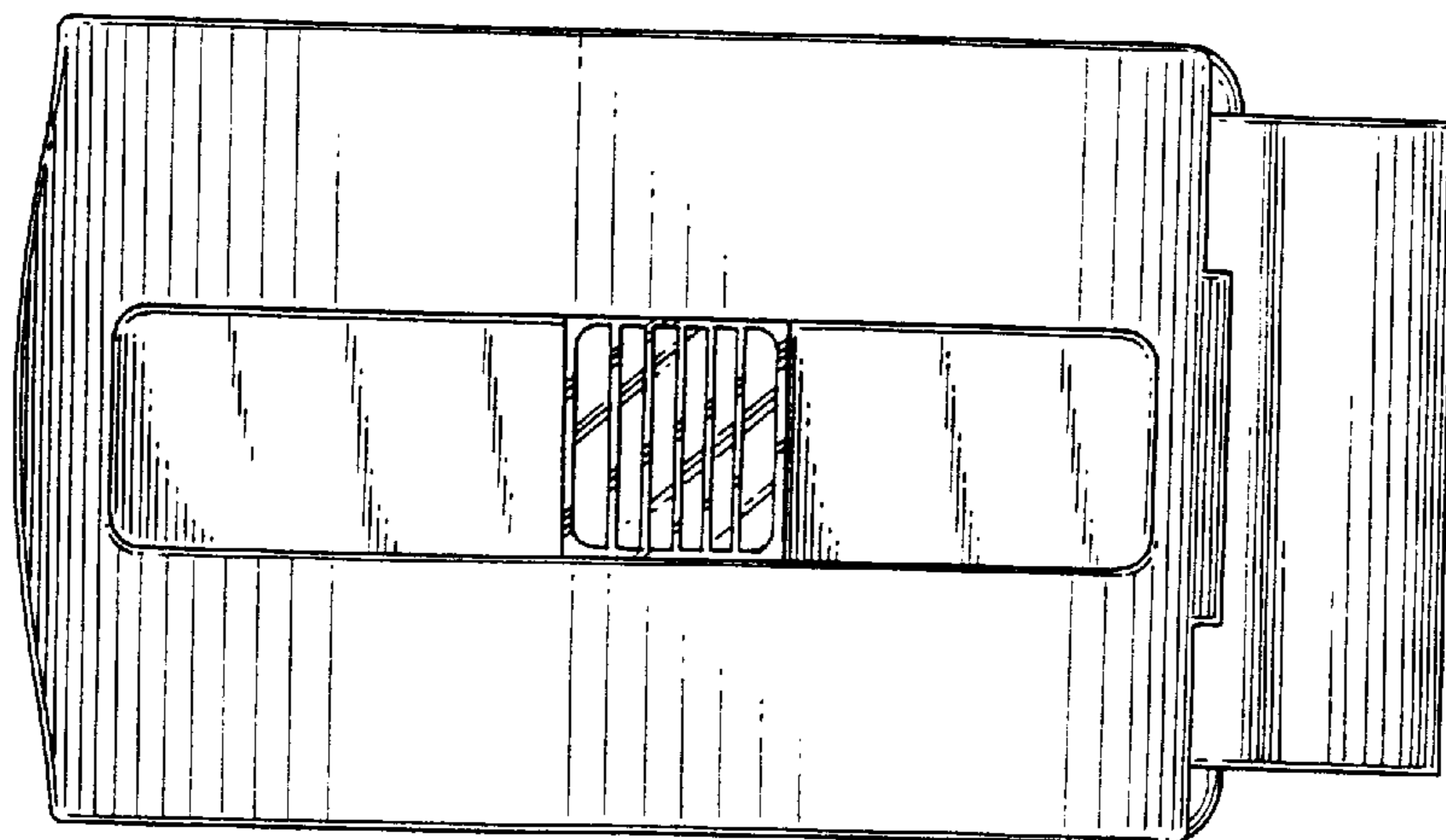


FIG. 5

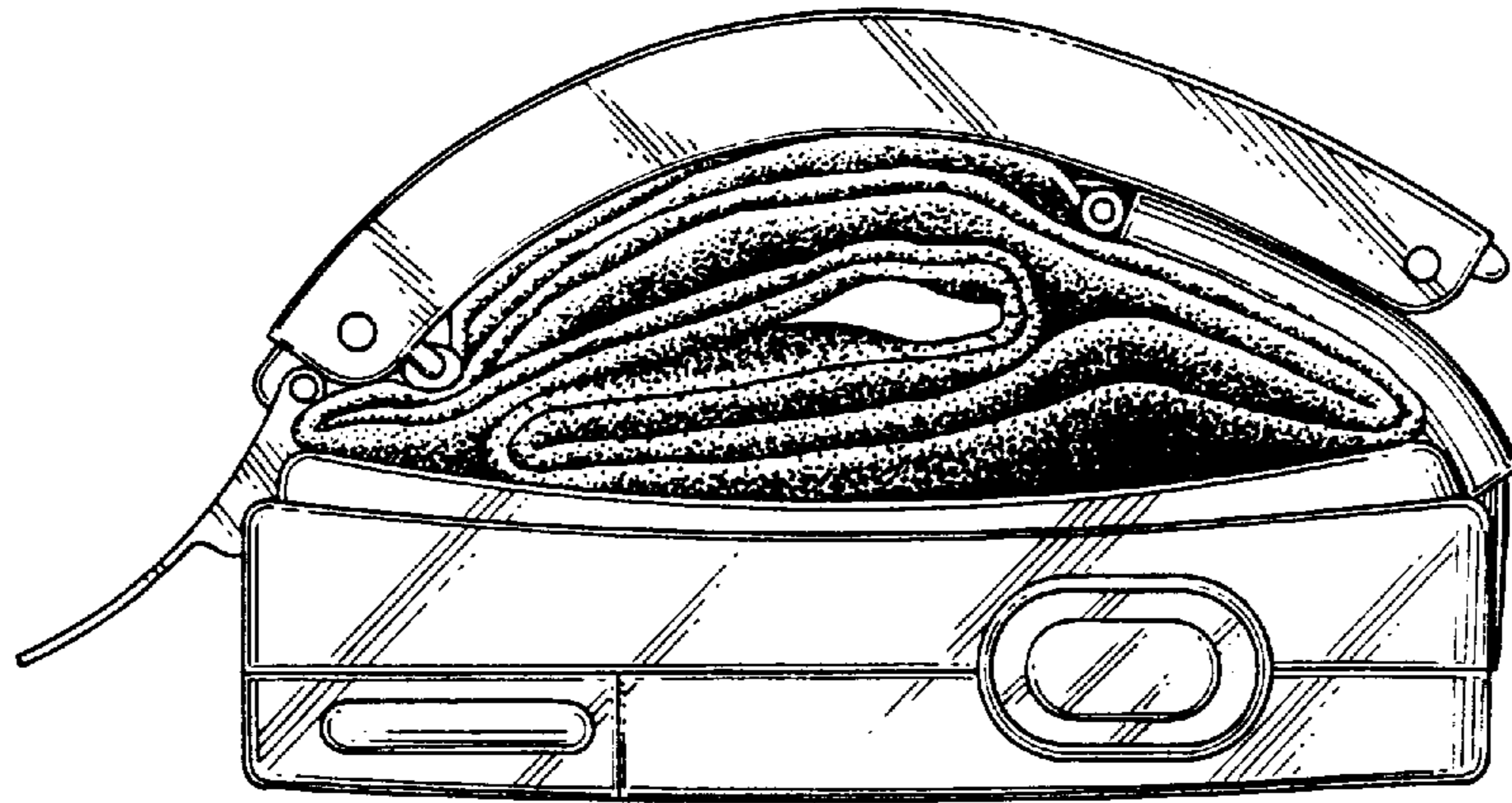


FIG. 6

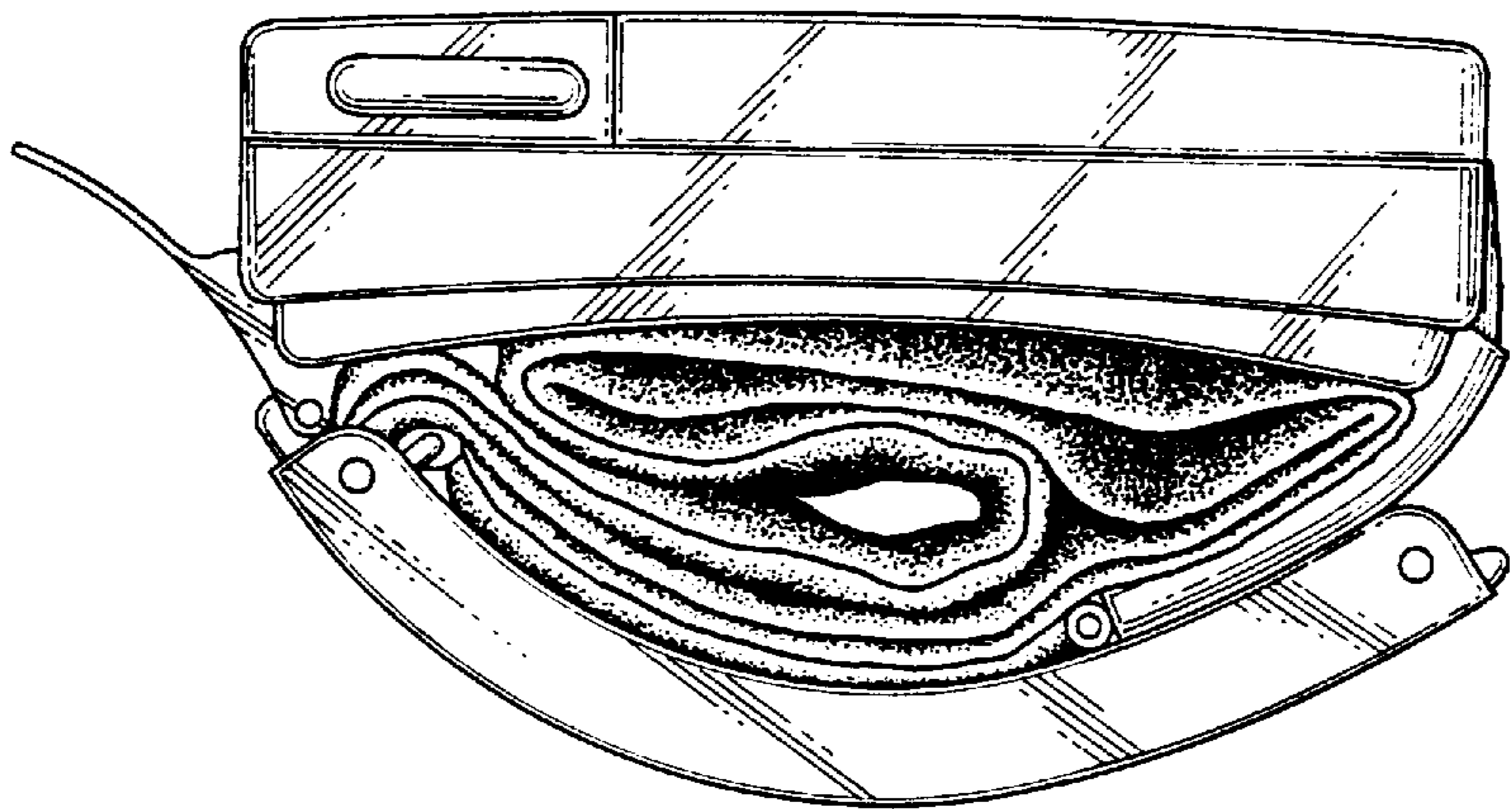


FIG. 7

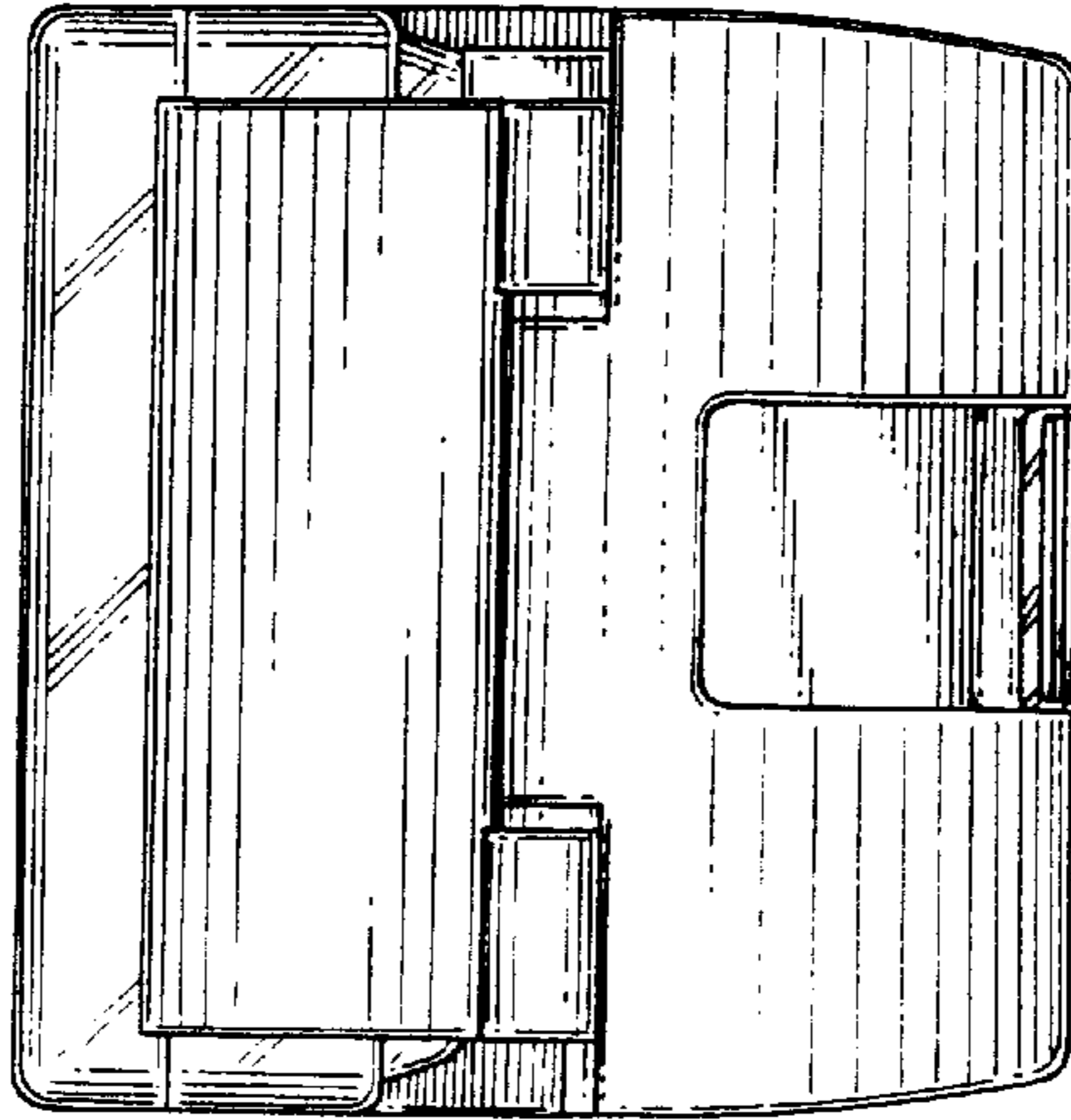


FIG. 8

