



US00D406338S

United States Patent [19]

Muller et al.

[11] **Patent Number: Des. 406,338**

[45] **Date of Patent: **Mar. 2, 1999**

[54] **TISSUE ABLATION DEVICE**

D. 358,887 5/1995 Feinberg D24/144 X

[75] Inventors: **Peter H. Muller**, Los Gatos; **Rick T. Smethers**, Fremont; **David Rapp**, Mountain View, all of Calif.

Primary Examiner—Pamela Burgess
Attorney, Agent, or Firm—Harold C. Hohbach; Flehr Hohbach Test Albritton & Herbert LLP

[73] Assignee: **Somnus Medical Technologies, Inc.**, Sunnyvale, Calif.

[57] **CLAIM**

[**] Term: **14 Years**

The ornamental design for a tissue ablation device, as shown and described.

[21] Appl. No.: **74,495**

DESCRIPTION

[22] Filed: **Jul. 24, 1997**

[51] **LOC (6) Cl.** **24-02**

[52] **U.S. Cl.** **D24/133**

[58] **Field of Search** D24/133, 144;
604/22, 19, 119, 902; 138/106; 606/108,
46, 47, 48, 49, 50, 45, 237, 79, 167-171,
185, 40-42; 128/749-754

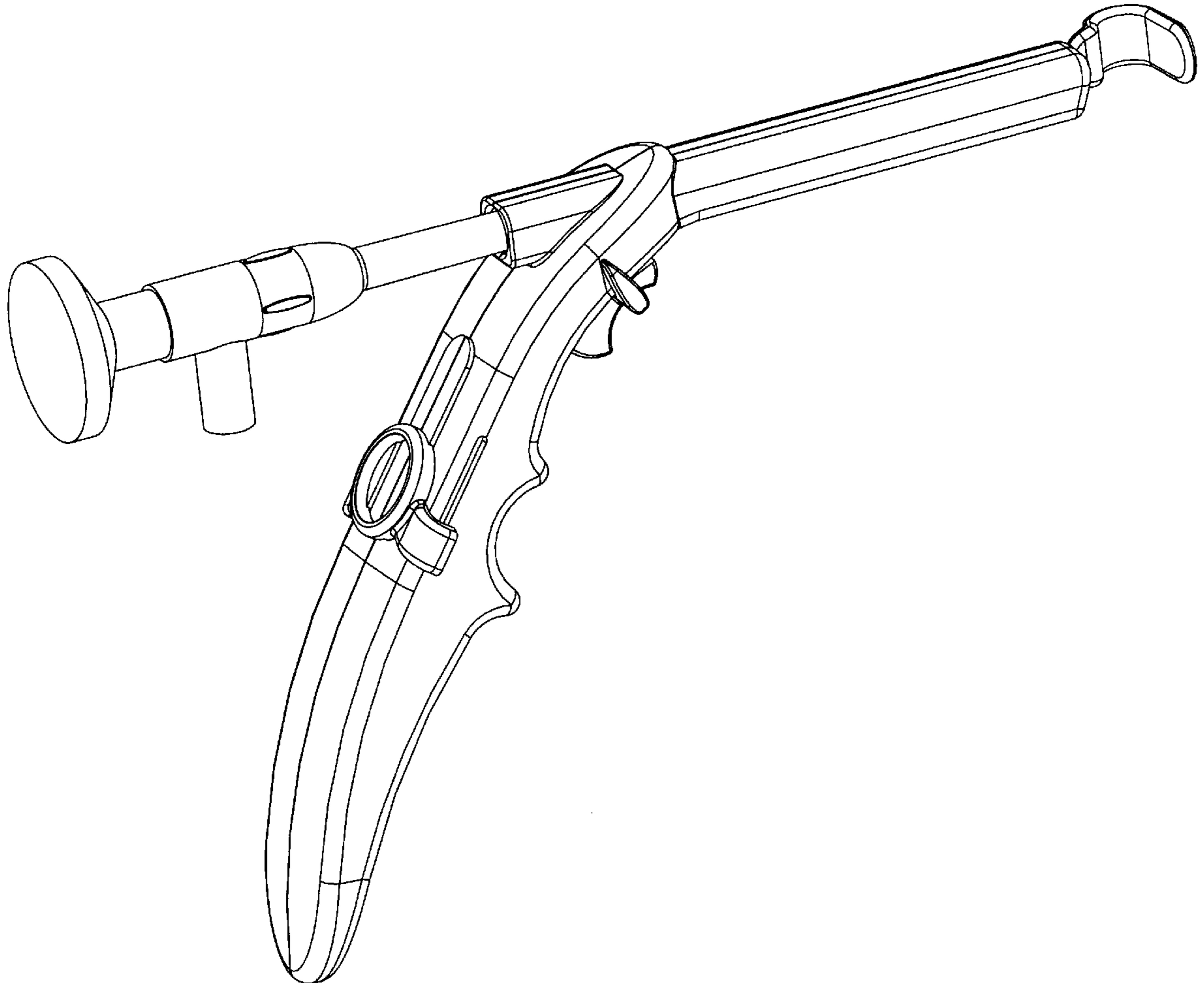
FIG. 1 is a isometric view of a tissue ablation device showing our new design;
FIG. 2 is a side-elevational view of the tissue ablation device shown in FIG. 1. The opposite side of the tissue ablation device corresponds to that shown in FIG. 1;
FIG. 3 is a top plan view of the tissue ablation device shown in FIG. 2;
FIG. 4 is a rear elevational view of the tissue ablation device shown in FIG. 2;
FIG. 5 is a bottom plan view of the tissue ablation device shown in FIG. 2; and,
FIG. 6 is a front elevational view of the tissue ablation device shown in FIG. 2.

[56] **References Cited**

U.S. PATENT DOCUMENTS

- D. 284,028 5/1986 Seager D24/138
- D. 347,690 6/1994 Rigby et al. D24/138

1 Claim, 2 Drawing Sheets



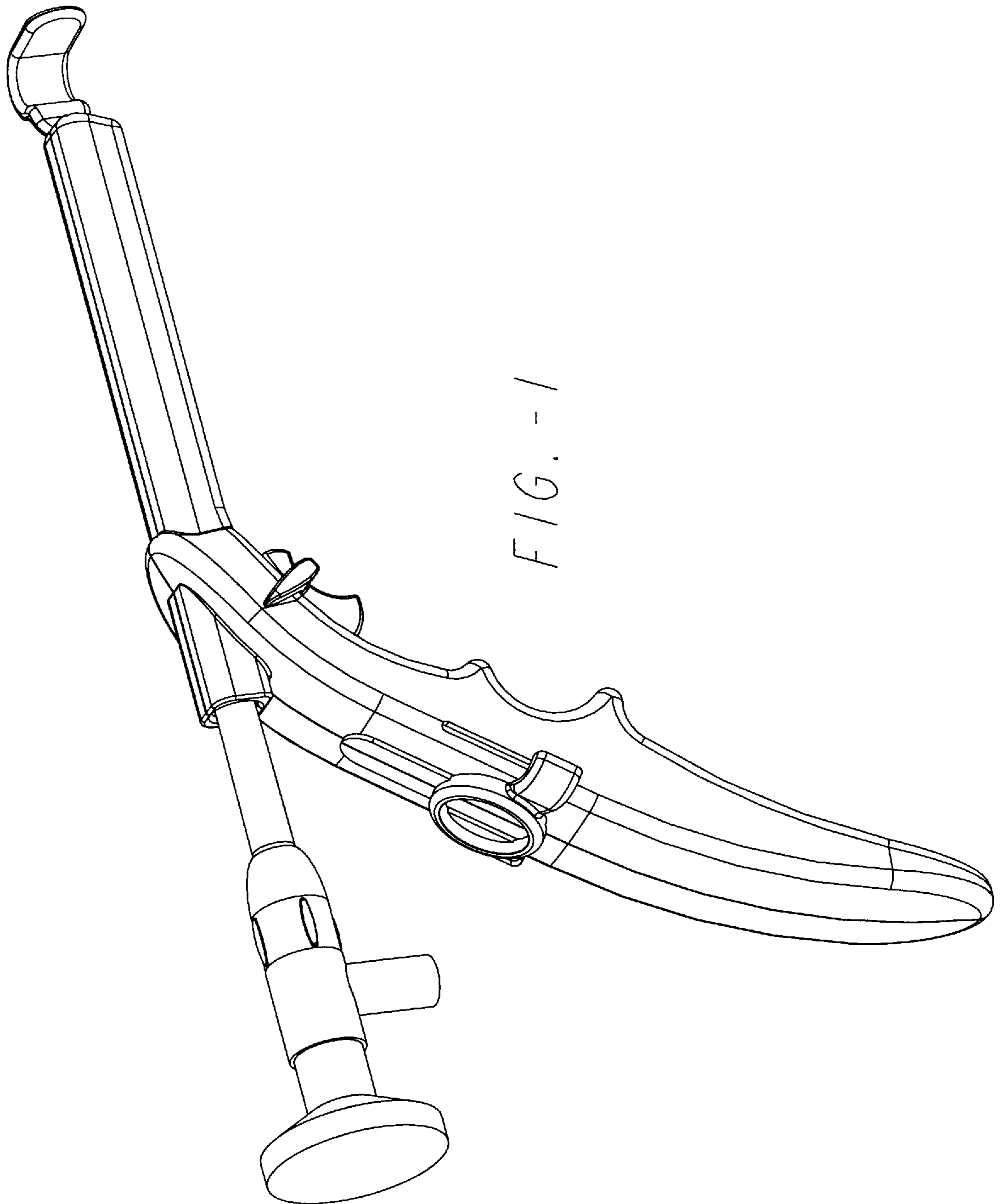


FIG. - 1

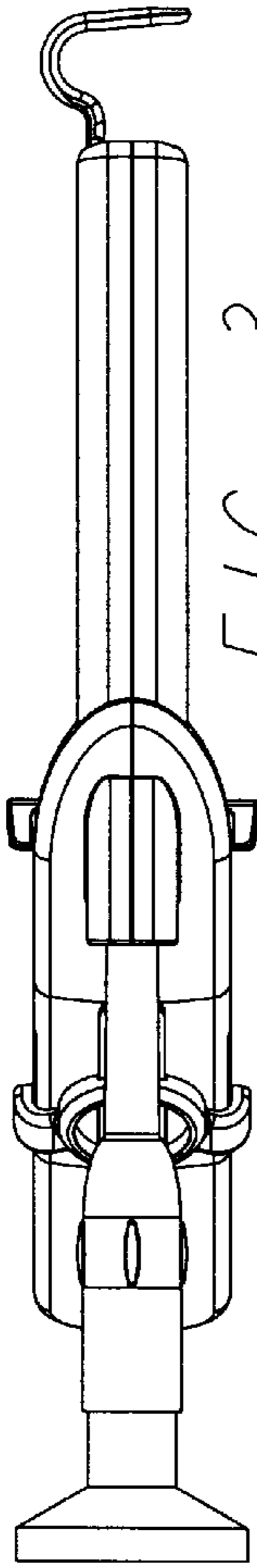


FIG. -3

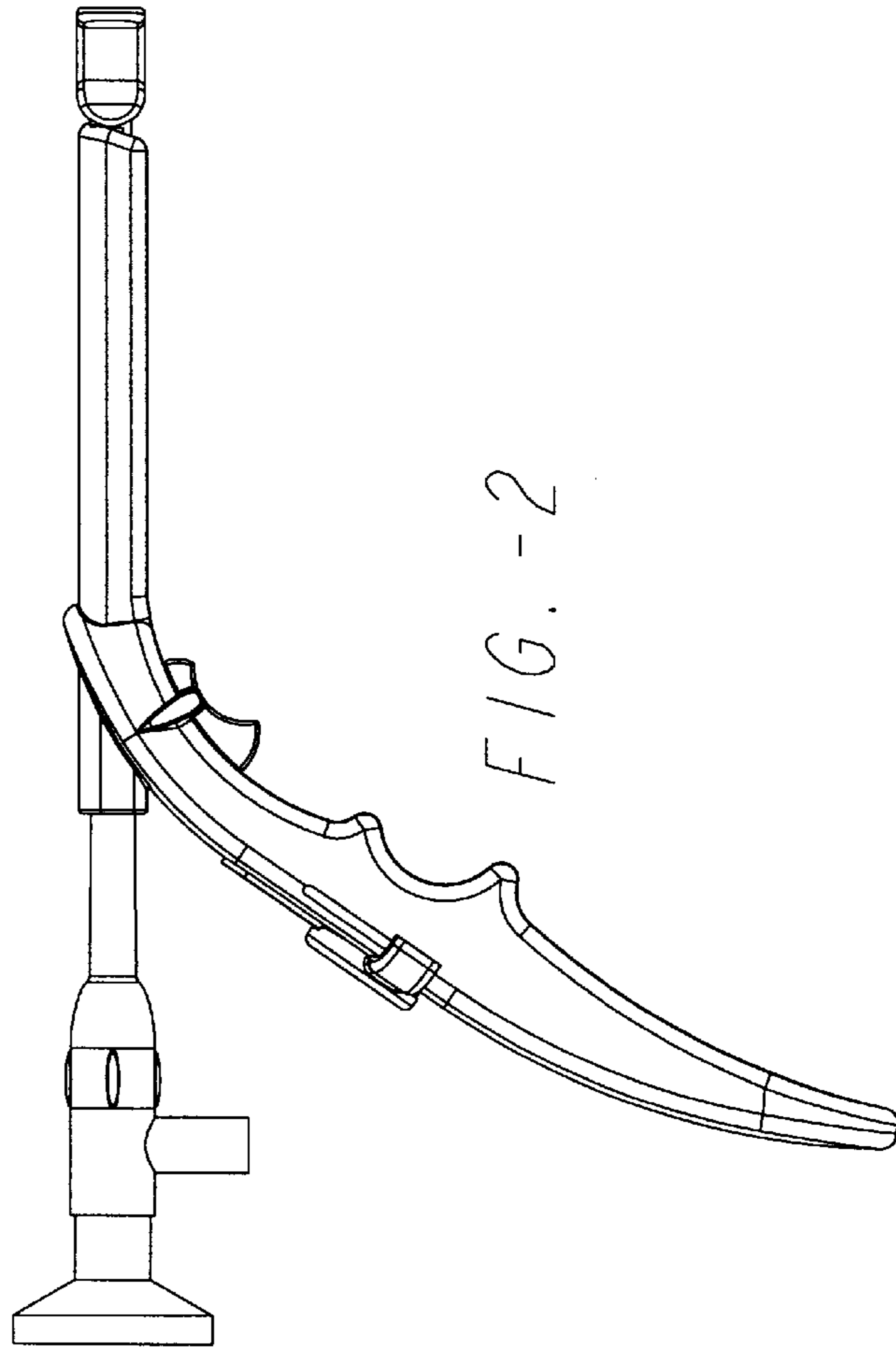


FIG. -2

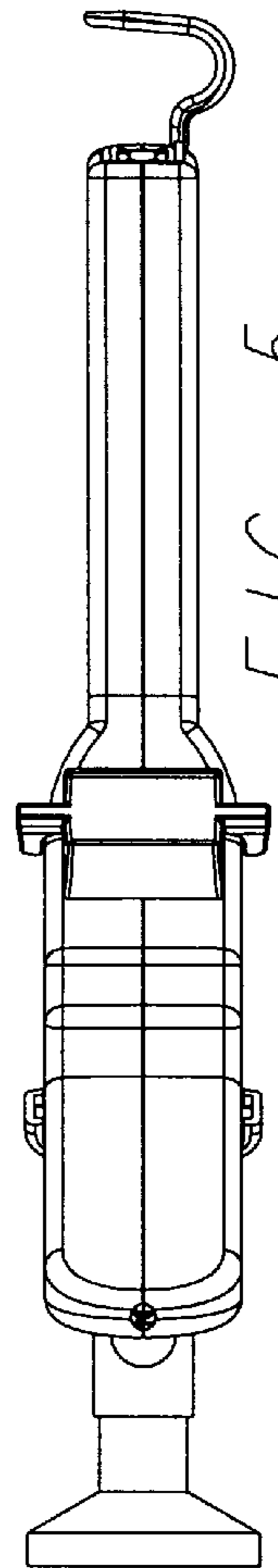


FIG. -5

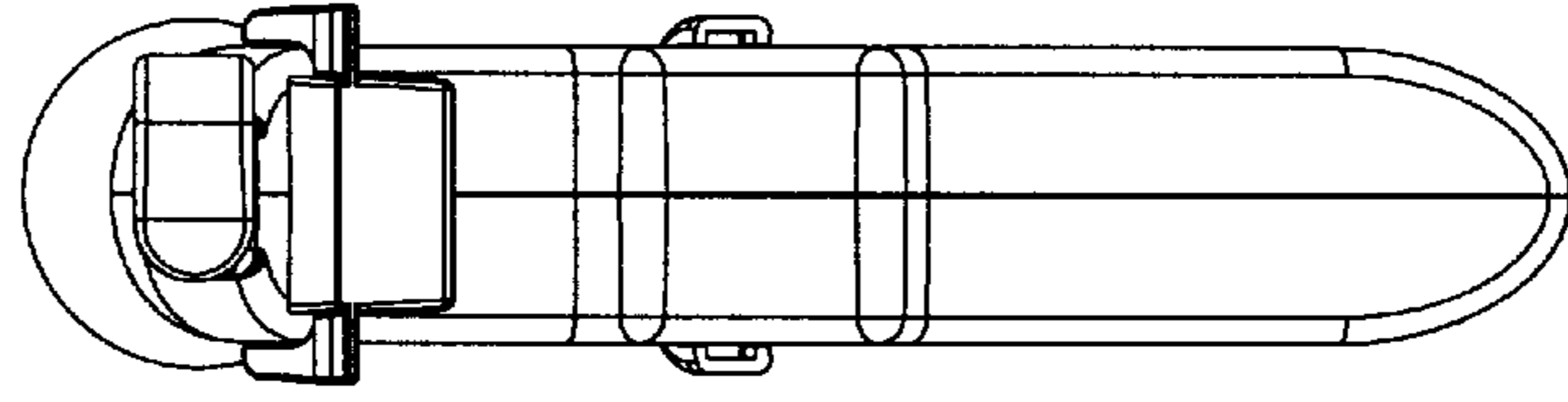


FIG. -4

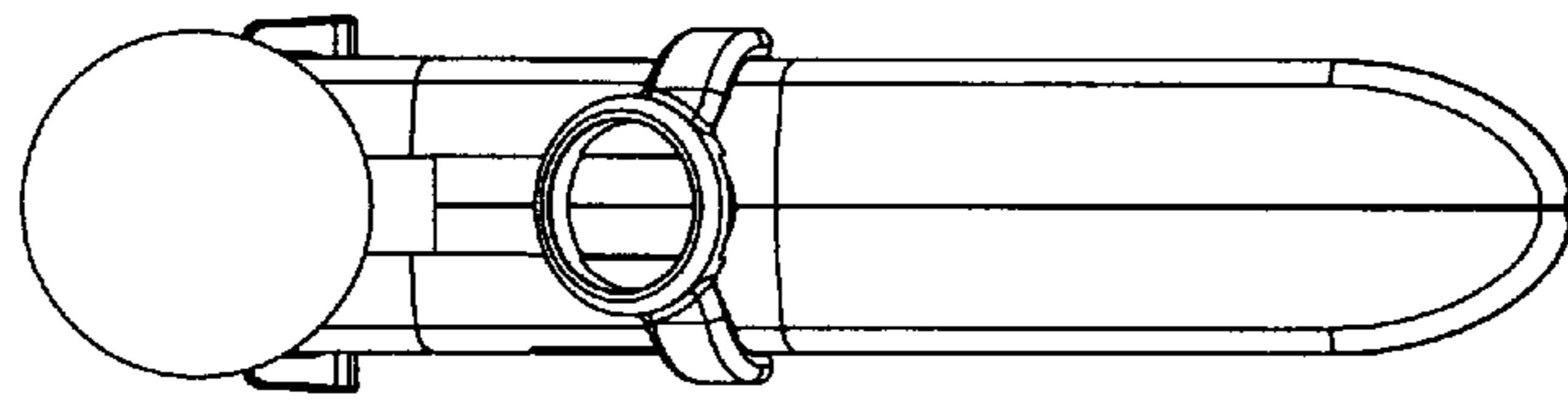


FIG. -6