

US00D406337S

United States Patent [19]

Baust et al.

[11] Patent Number: **Des. 406,337**

[45] Date of Patent: ****Mar. 2, 1999**

[54] **HAND HELD CRYOSURGICAL PROBE APPARATUS**

D. 347,690	6/1994	Rigby et al.	D24/138
4,594,073	6/1986	Stine	604/187
5,254,117	10/1993	Rigby et al.	606/46

[75] Inventors: **John G Baust**, Candor; **John M Baust**, Ithaca, both of N.Y.; **Lawrence Pottorf**, Charlestown; **Roy Cheeks**, Harpers Ferry, both of W. Va.; **Hewu Ma**, Rockville; **Chao-Min Zhang**, Gaithersburg, both of Md.; **Alan F. Rich**, North Reading, Mass.; **Richard J. Reinhart**, Lawrenceville, N.J.

Primary Examiner—Pamela Burgess
Attorney, Agent, or Firm—Sherman and Shalloway

[73] Assignee: **Cryomedical Sciences, Inc.**, Rockville, Md.

[**] Term: **14 Years**

[21] Appl. No.: **65,236**

[22] Filed: **Jan. 27, 1997**

[51] **LOC (6) Cl.** **24-02**

[52] **U.S. Cl.** **D24/133**

[58] **Field of Search** D24/133, 144;
604/200, 119, 902, 187; 138/106; 606/108,
46, 49, 1, 47, 48, 45, 50, 237, 79, 167-171,
185, 40-42; 128/749-754

[57] CLAIM

The ornamental design for a hand held cryosurgical probe apparatus, as shown and described.

DESCRIPTION

FIG. 1 is a left side elevation view of the hand held cryosurgical probe apparatus of our new design;

FIG. 2 is a right side elevation view of the hand held cryosurgical probe apparatus of our new design;

FIG. 3 is a top planar view of the hand held cryosurgical probe apparatus of our new design;

FIG. 4 is a bottom planar view of the hand held cryosurgical probe apparatus of our new design;

FIG. 5 is a front elevation view of the hand held cryosurgical probe apparatus of our new design; and,

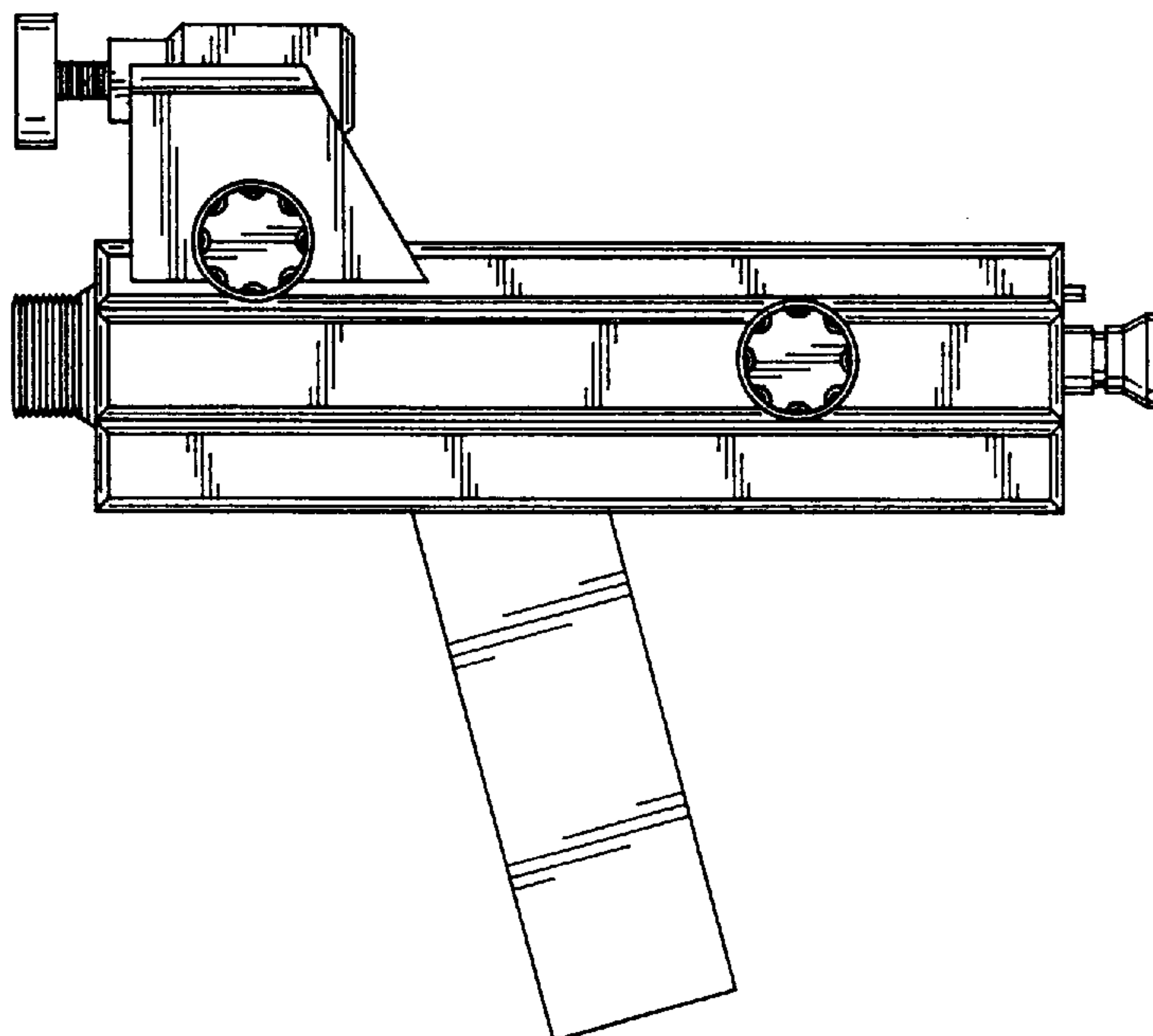
FIG. 6 is a rear elevation view of the hand held cryosurgical probe apparatus of our new design.

[56] References Cited

U.S. PATENT DOCUMENTS

D. 341,760 11/1993 Armbruster et al. D8/68

1 Claim, 2 Drawing Sheets



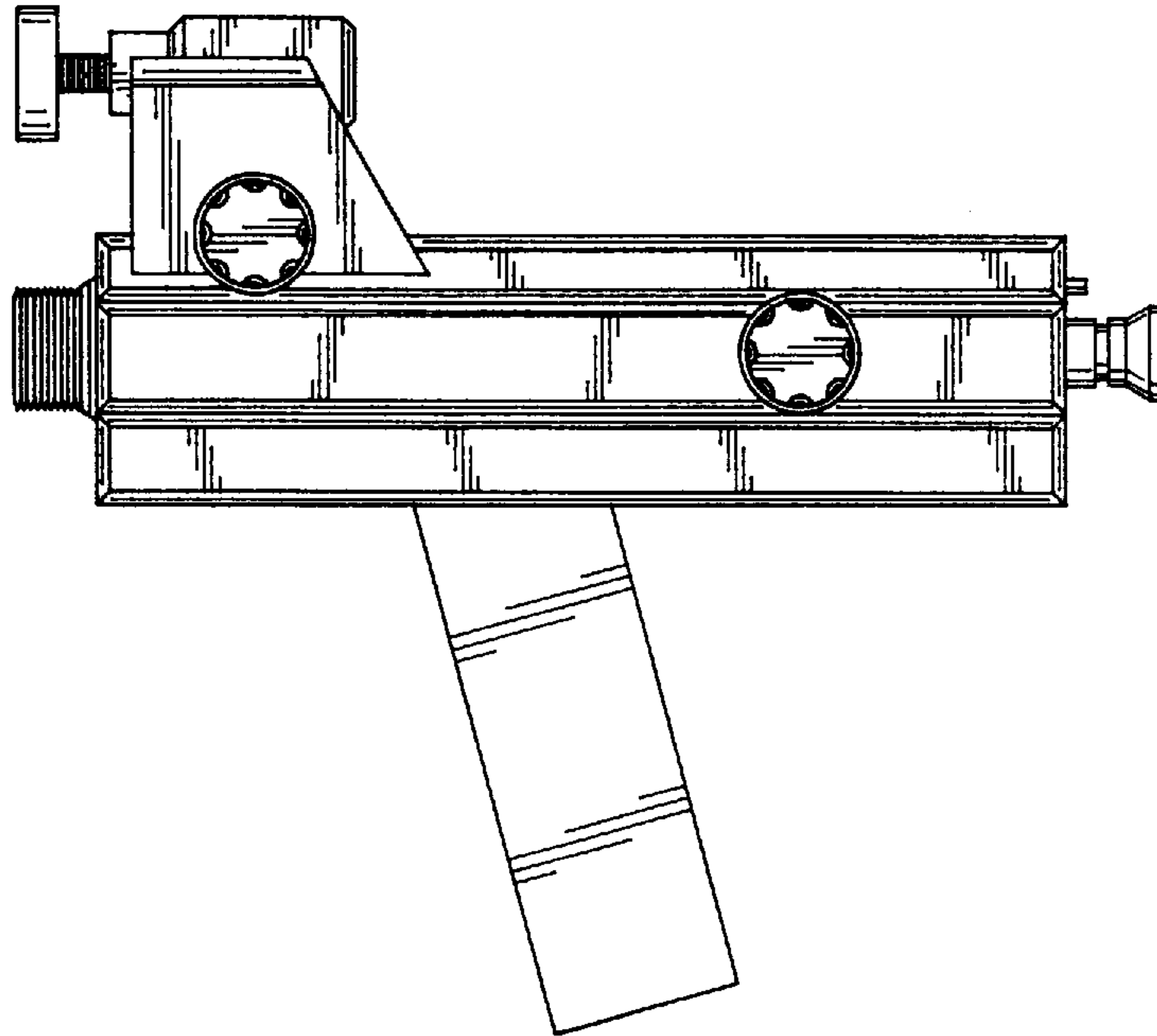


FIG. 1

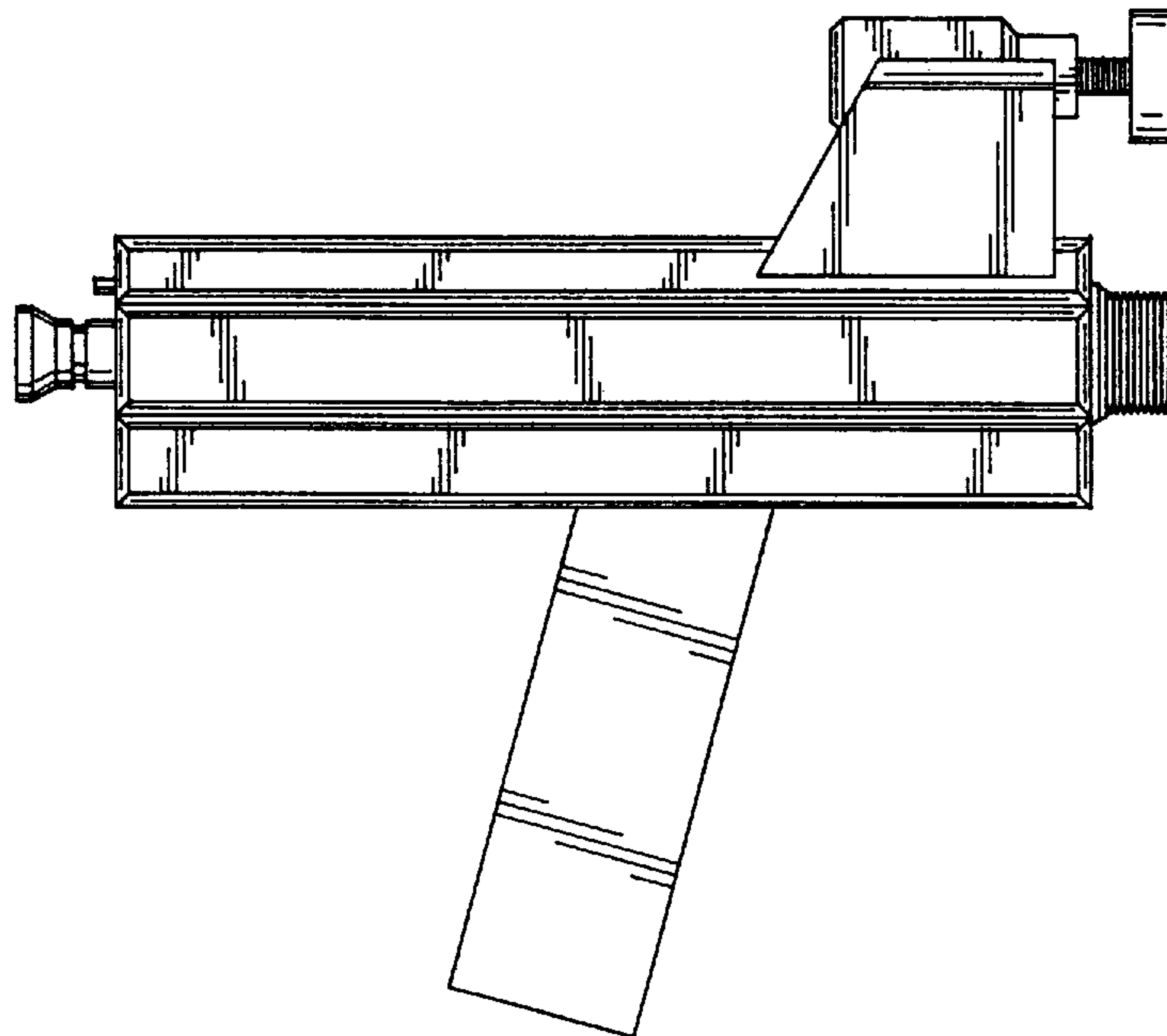


FIG. 2

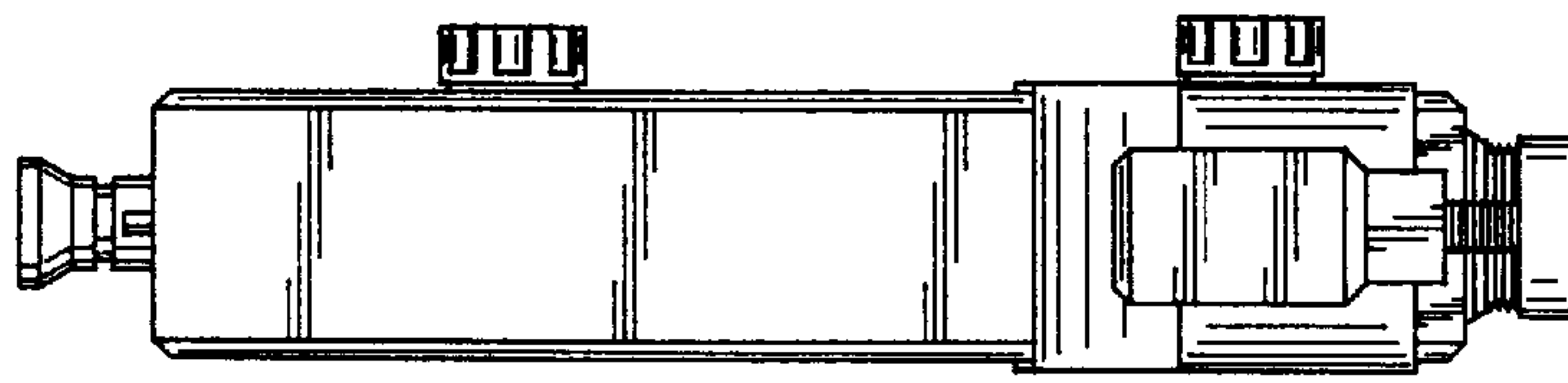


FIG. 3

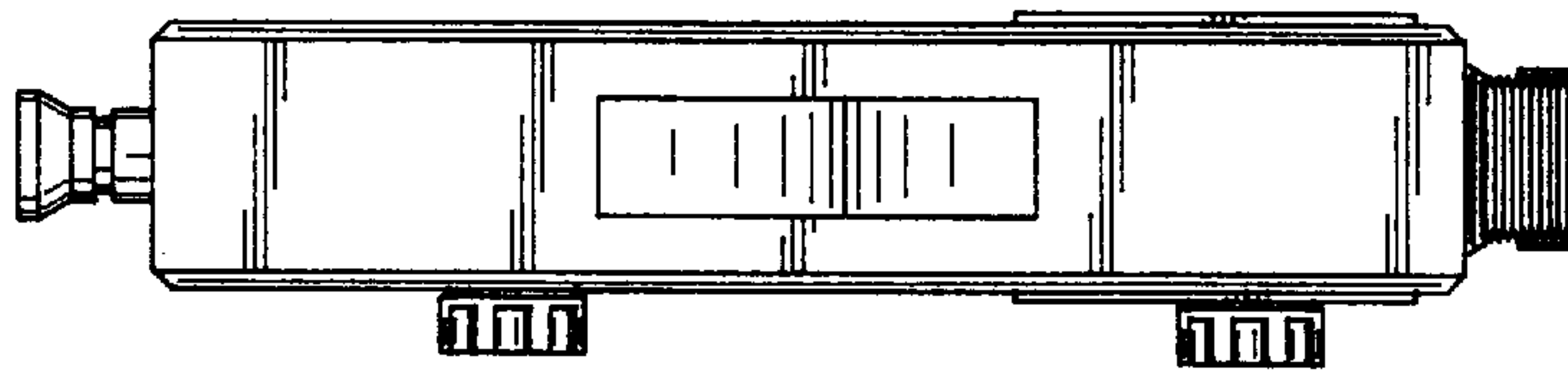


FIG. 4

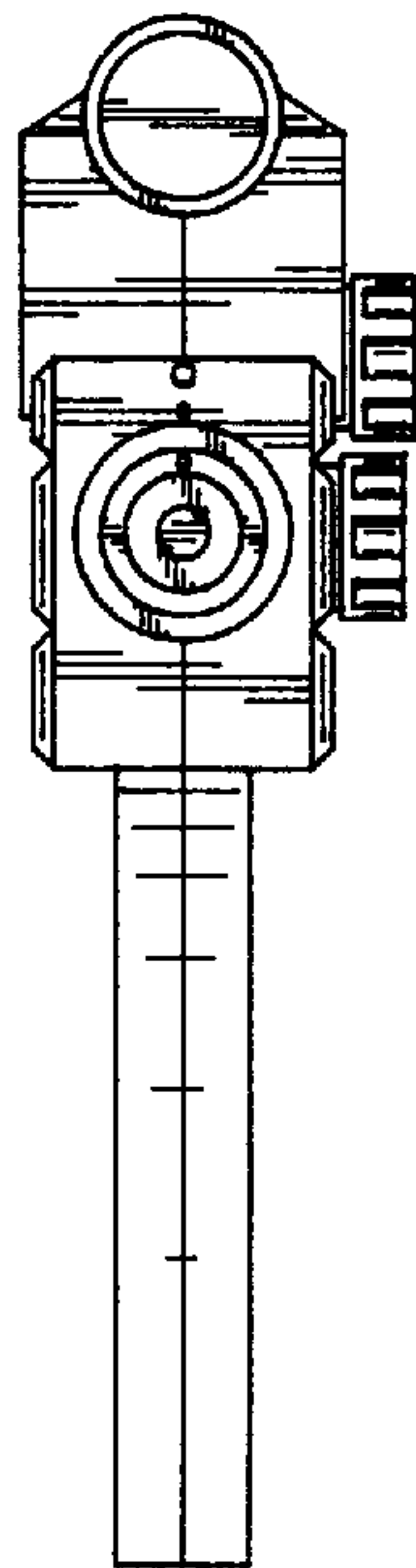


FIG. 5

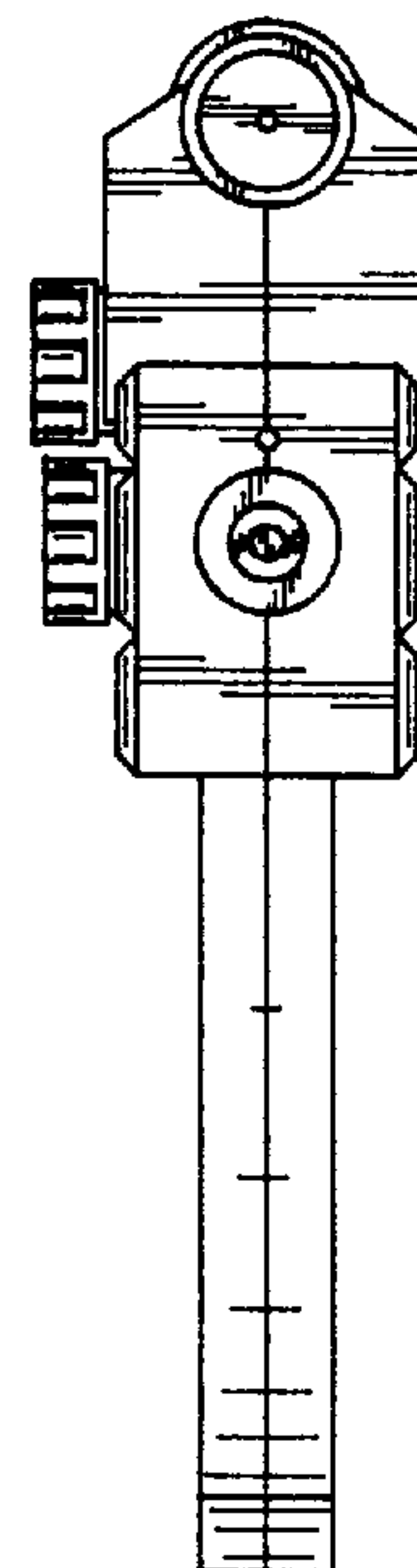


FIG. 6