



US00D406335S

United States Patent [19]

Picha et al.

[11] **Patent Number: Des. 406,335**

[45] **Date of Patent: **Mar. 2, 1999**

[54] **INTERNAL BOLSTER FOR GASTROSTOMY DEVICE**

[75] Inventors: **George J. Picha**, Independence; **Gary Austin**, Euclid; **Shawn Heipp**, Parma; **Steven Bobinski**, Berea, all of Ohio

[73] Assignee: **Applied Medical Research, Inc.**, Garfield Heights, Ohio

[**] Term: **14 Years**

[21] Appl. No.: **77,522**

[22] Filed: **Oct. 3, 1997**

[51] **LOC (6) Cl. 24-02**

[52] **U.S. Cl. D24/112**

[58] **Field of Search D24/112, 146, D24/147; 604/174, 180, 331, 332, 337, 338; 128/251.15, 207.16, 200.26**

[56] **References Cited**

U.S. PATENT DOCUMENTS

4,080,970	3/1978	Miller .	
4,380,234	4/1983	Kamen	604/180
4,589,868	5/1986	Dretler .	
4,717,385	1/1988	Cameron et al.	604/174
5,071,405	12/1991	Piontek et al.	604/174 X
5,356,391	10/1994	Stewart	604/174
5,556,385	9/1996	Andersen	604/174

Primary Examiner—Susan J. Lucas
Assistant Examiner—Cynthia E. Ramirez
Attorney, Agent, or Firm—Pearne, Gordon, McCoy & Granger LLP

[57] **CLAIM**

The ornamental design for an internal bolster for a gastrostomy device, as shown and described.

DESCRIPTION

FIG. 1 is a perspective view showing an internal bolster for a gastrostomy device according to the present invention, with a tubular portion of the gastrostomy device being shown in phantom and forming no part of the present invention;

FIG. 2 is a top plan view of the internal bolster according to the present invention;

FIG. 3 is a front elevational view of the internal bolster according to the present invention, the rear elevational view being a mirror image thereof;

FIG. 4 is a left side elevational view of the internal bolster according to the present invention;

FIG. 5 is a right side elevational view of the internal bolster according to the present invention; and,

FIG. 6 is a bottom plan view of the internal bolster according to the present invention.

The broken lines showing a tubular portion in FIGS. 3, 4, and 5 is for illustrative purposes only and forms no part of the claimed design.

1 Claim, 1 Drawing Sheet

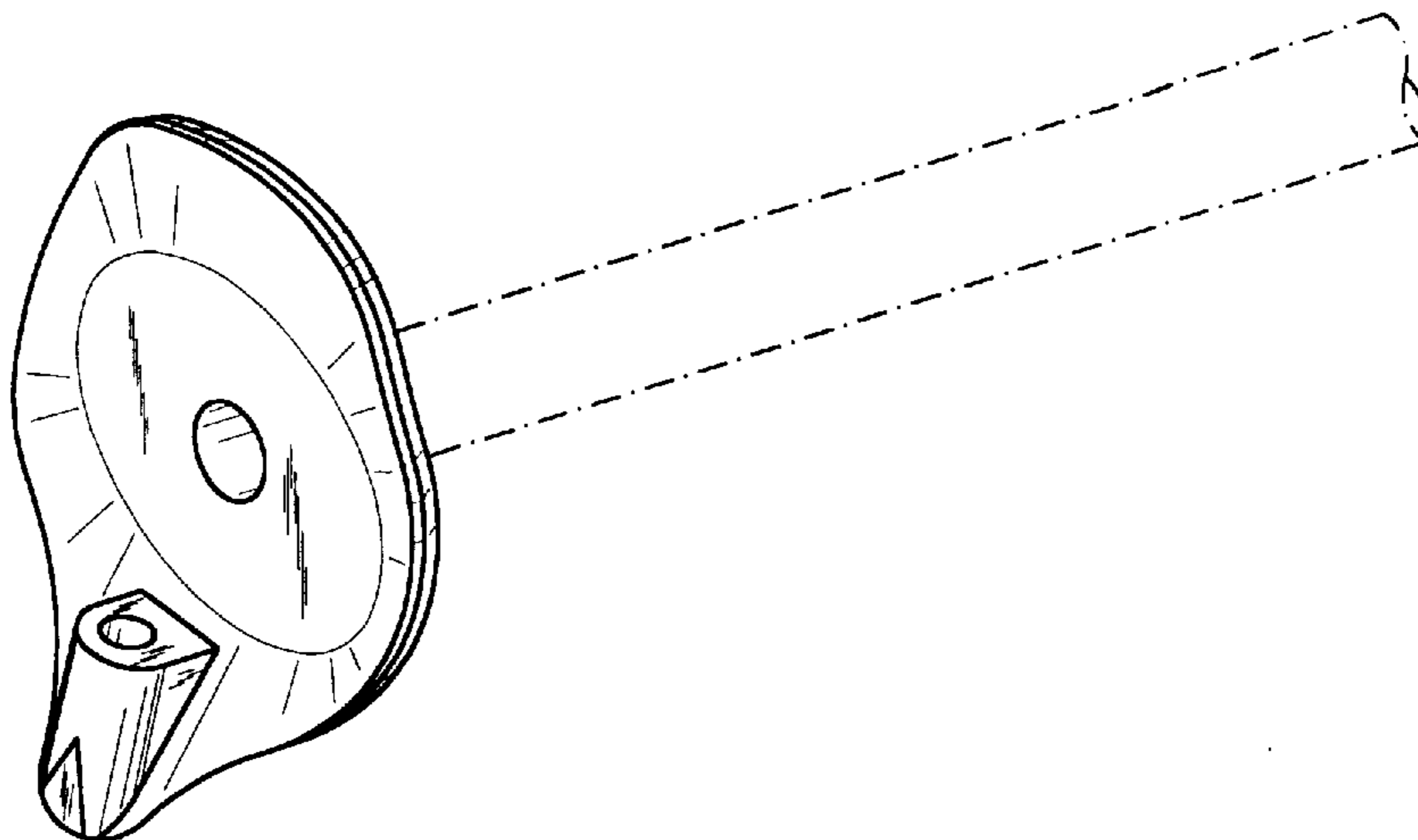


Fig. 1

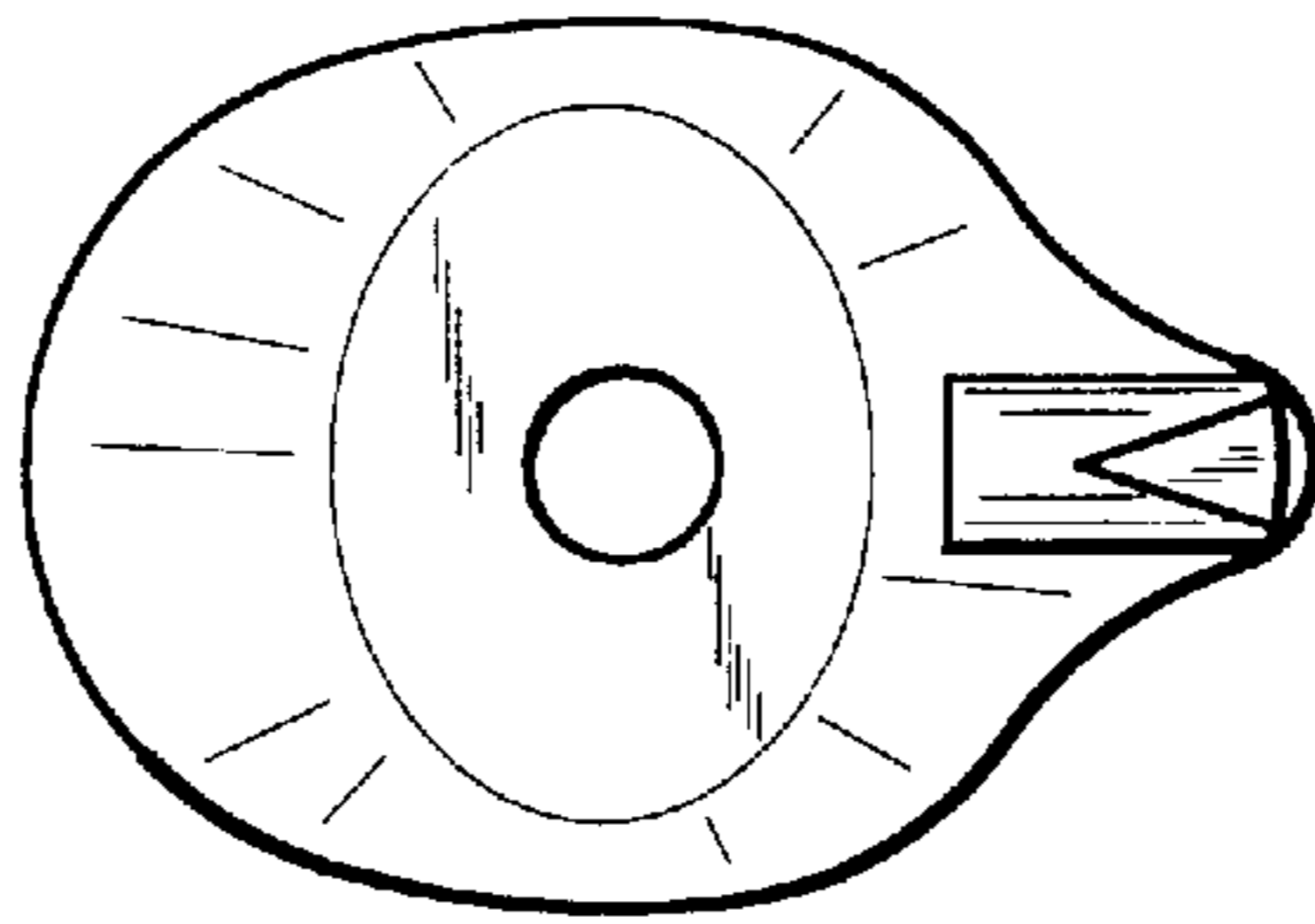
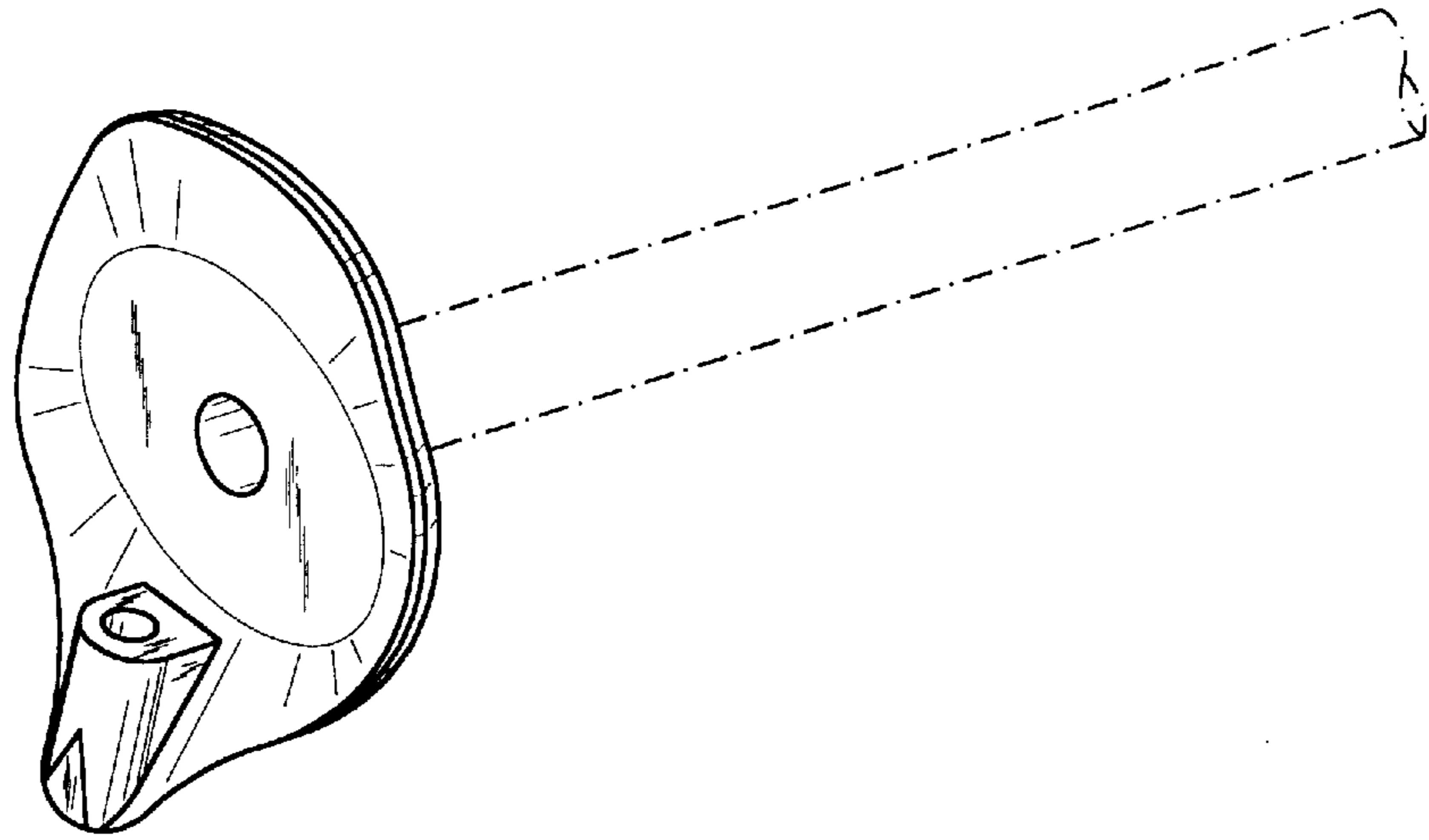


Fig. 2

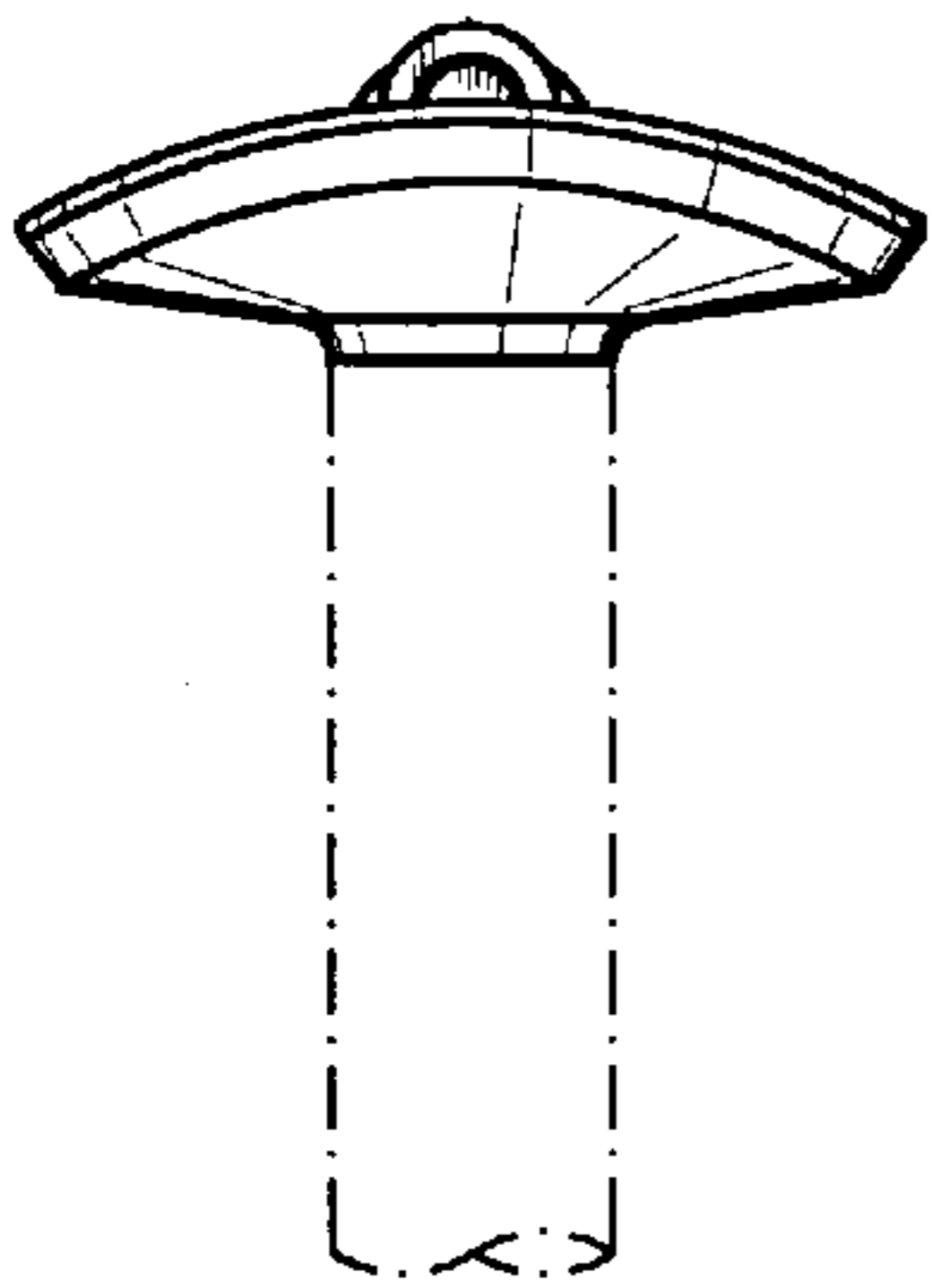


Fig. 5

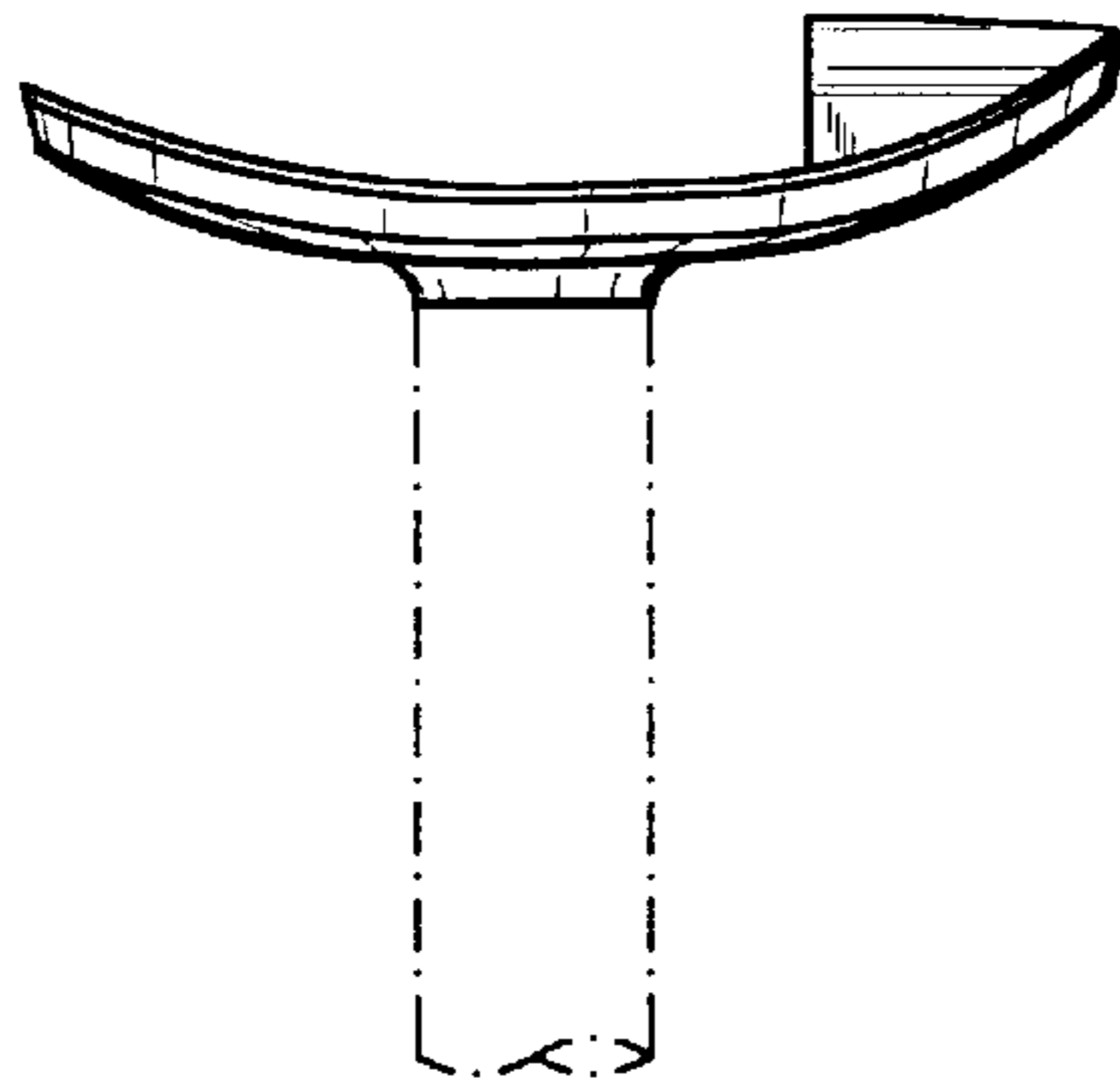


Fig. 3

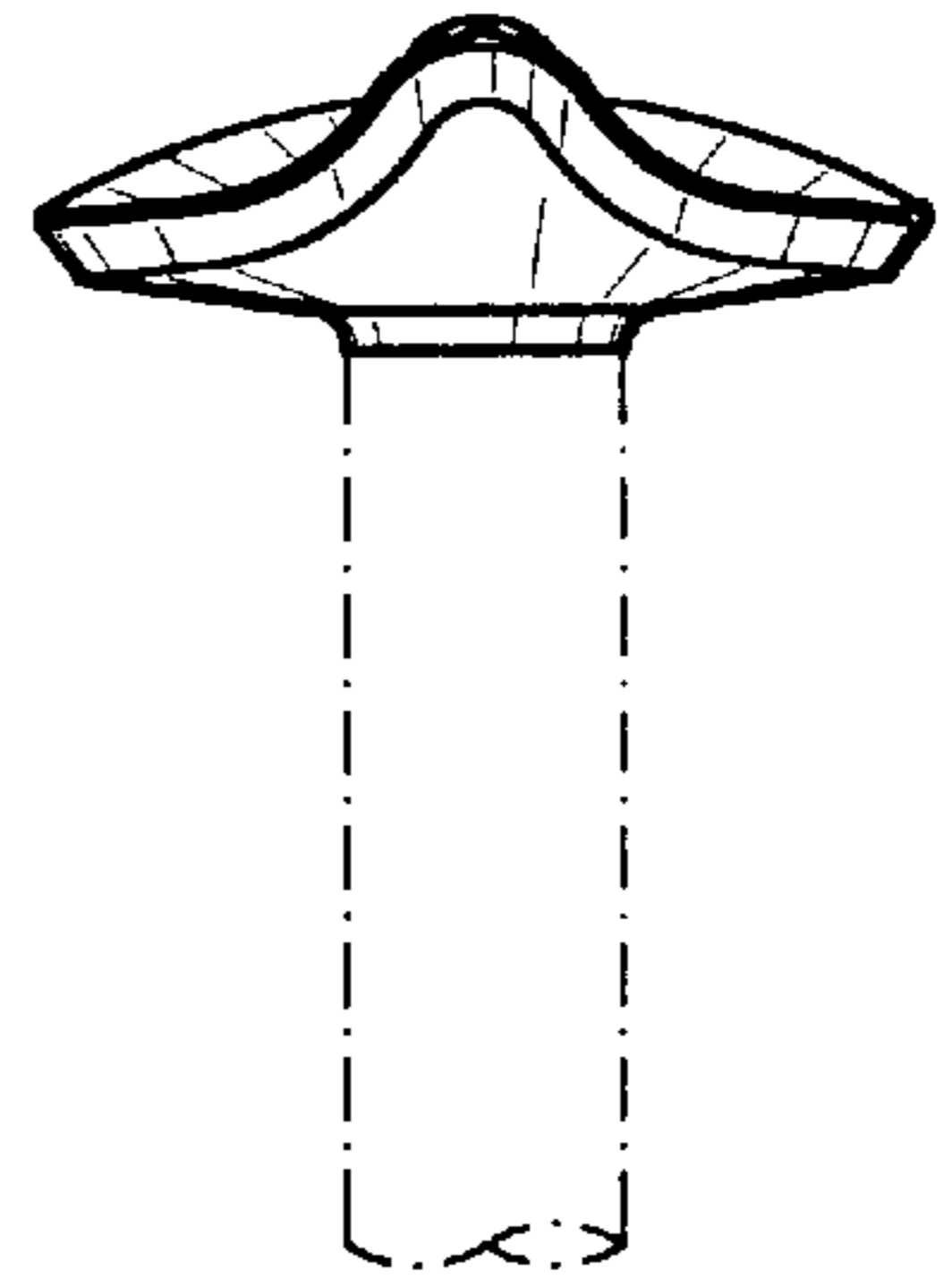


Fig. 4

Fig. 6

