



US00D406329S

United States Patent [19]

[11] **Patent Number: Des. 406,329**

Kawamura et al.

[45] **Date of Patent: **Mar. 2, 1999**

[54] **TRAP PORTION OF A WATER CLOSET**

[75] Inventors: **Sejiro Kawamura; Minoru Tani; Hisayasu Sakai**, all of Kitakyushu, Japan

[73] Assignee: **Toto Ltd.**, Japan

[**] Term: **14 Years**

[21] Appl. No.: **65,235**

[22] Filed: **Jan. 27, 1997**

Related U.S. Application Data

[62] Division of Ser. No. 41,751, Jul. 24, 1995, Pat. No. Des. 379,496.

[51] **LOC (6) Cl.** **23-02**

[52] **U.S. Cl.** **D23/309**

[58] **Field of Search** D23/295, 299-301, D23/303-311, 316, 324, 325, 328, 348, 350, 351, 366, 367, 415, 431, 432, 433, 213, 216

References Cited

U.S. PATENT DOCUMENTS

- D. 275,514 9/1984 Enthoven .
- D. 275,598 9/1984 Stairs, Jr. .
- D. 310,407 9/1990 Stairs, Jr. .
- D. 345,597 3/1994 Kohler, Jr. et al. .
- D. 352,996 11/1994 Sim .
- D. 353,450 12/1994 Anderson et al. .

Primary Examiner—Louis S. Zarfaz
Assistant Examiner—Eric Watterson
Attorney, Agent, or Firm—Finnegan, Henderson, Farabow, Garrett & Dunner, L.L.P.

CLAIM

The ornamental design for a trap portion of a water closet, as shown and described.

DESCRIPTION

FIG. 1 is a right side perspective view of a trap portion of a water closet embodying our design;

FIG. 2 is a left side perspective view thereof;
 FIG. 3 is a left elevational view thereof;
 FIG. 4 is a right elevational view thereof;
 FIG. 5 is a rear elevational view thereof;
 FIG. 6 is a right side perspective view of a second embodiment thereof;
 FIG. 7 is a left side perspective view of the second embodiment;
 FIG. 8 is a left elevational view of the second embodiment;
 FIG. 9 is a right elevational view of the second embodiment;
 FIG. 10 is a rear elevational view of the second embodiment;
 FIG. 11 is a right side perspective view of a third embodiment thereof;
 FIG. 12 is a left side perspective view of the third embodiment;
 FIG. 13 is a left elevational view of the third embodiment;
 FIG. 14 is a right elevational view of the third embodiment;
 FIG. 15 is a rear elevational view of the third embodiment;
 FIG. 16 is a right side perspective view of a fourth embodiment thereof;
 FIG. 17 is a left side perspective view of the fourth embodiment;
 FIG. 18 is a left elevational view of the fourth embodiment;
 FIG. 19 is a right elevational view of the fourth embodiment;
 FIG. 20 is a rear elevational view of the fourth embodiment;
 FIG. 21 is a right side perspective view of a fifth embodiment thereof;
 FIG. 22 is a left side perspective view of the fifth embodiment;
 FIG. 23 is a left elevational view of the fifth embodiment;
 FIG. 24 is a right elevational view of the fifth embodiment;
 FIG. 25 is a rear elevational view of the fifth embodiment;
 FIG. 26 is a right side perspective view of a sixth embodiment thereof;
 FIG. 27 is a left side perspective view of the sixth embodiment;
 FIG. 28 is a left elevational view of the sixth embodiment;
 FIG. 29 is a right elevational view of the sixth embodiment;
 and,
 FIG. 30 is a rear elevational view of the sixth embodiment.
 The broken lines shown in FIGS. 1-30 are for purpose of showing environmental structure only and form no part of the claimed design.

1 Claim, 18 Drawing Sheets

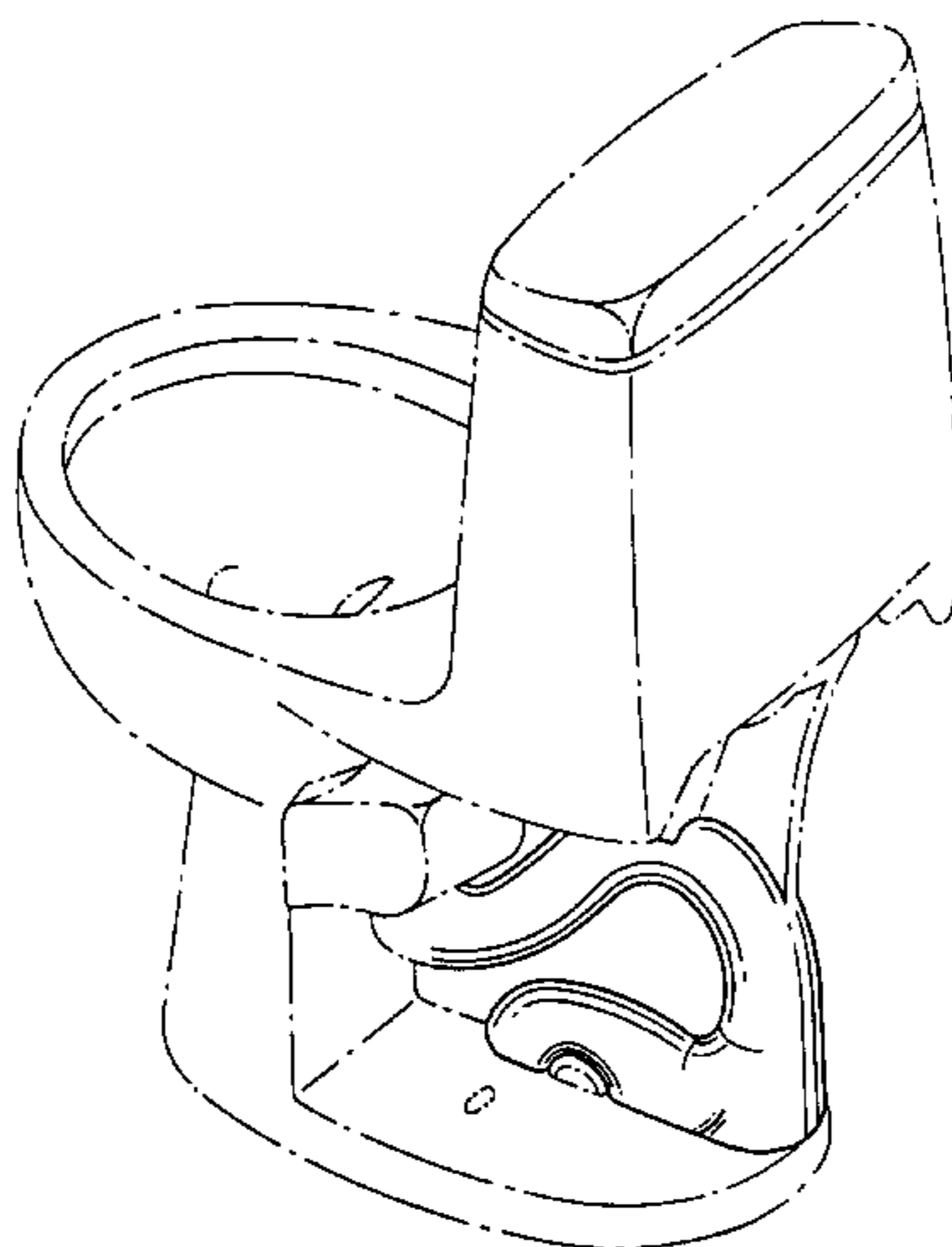


FIG. 2

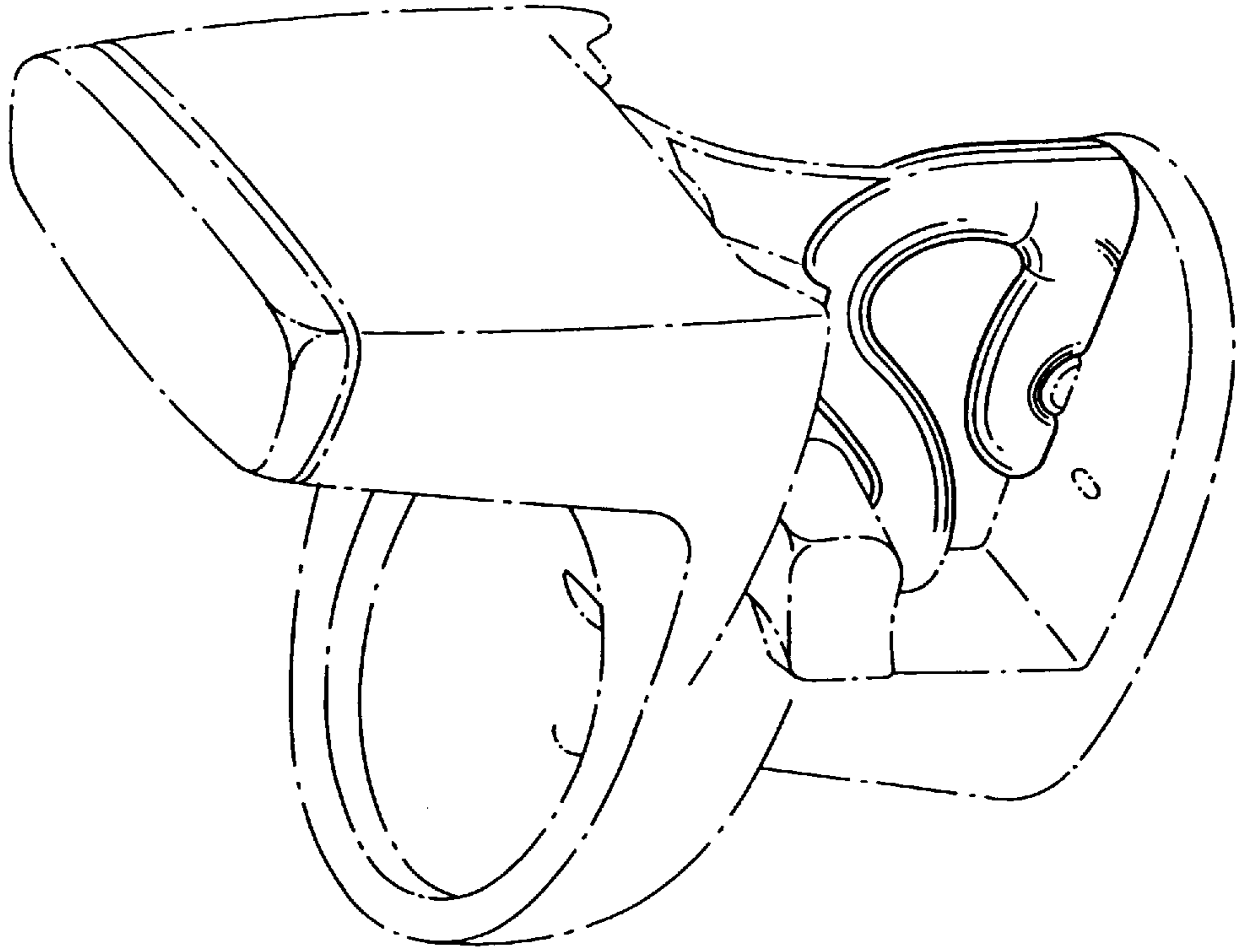


FIG. 1

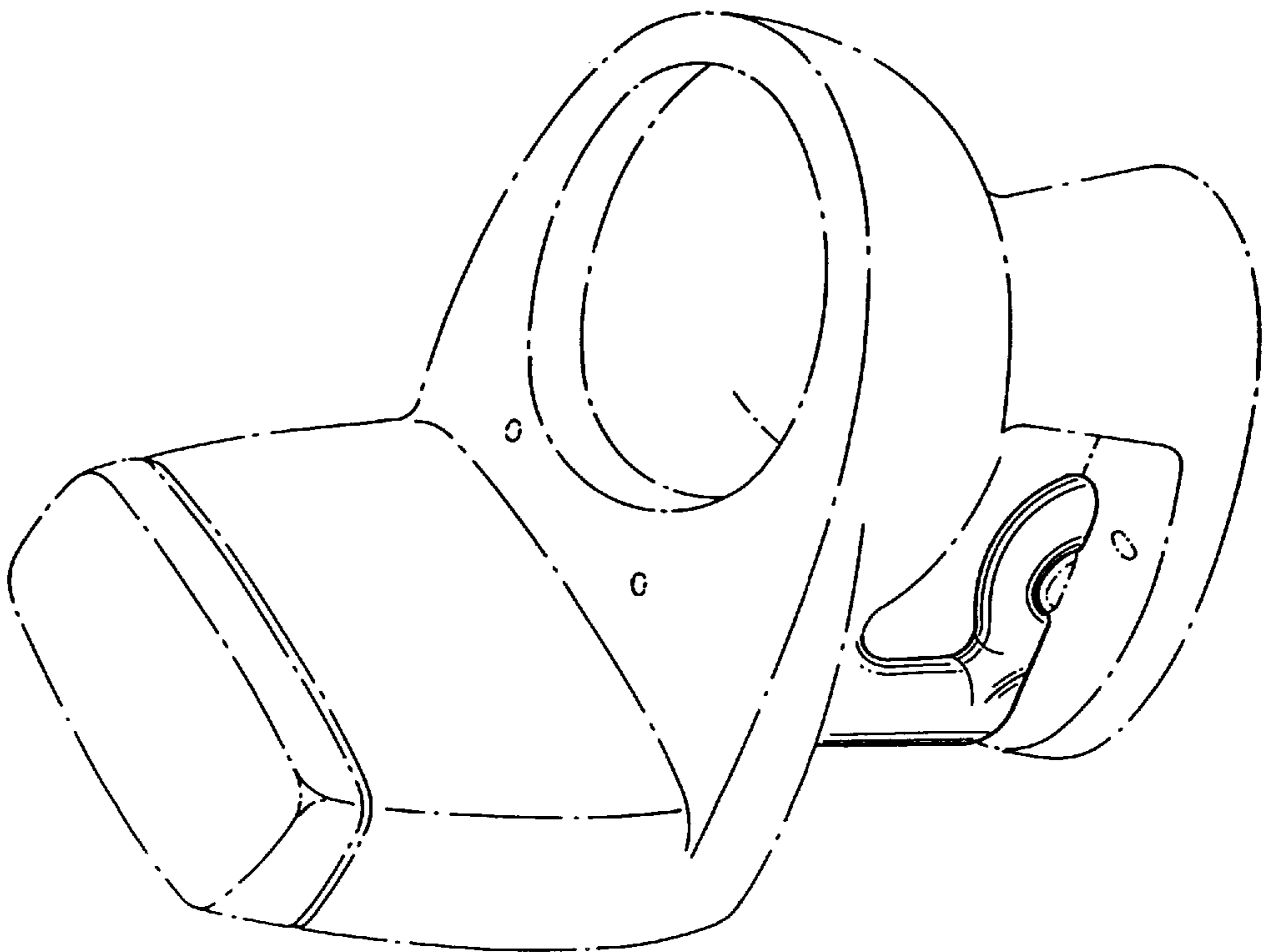


FIG. 3

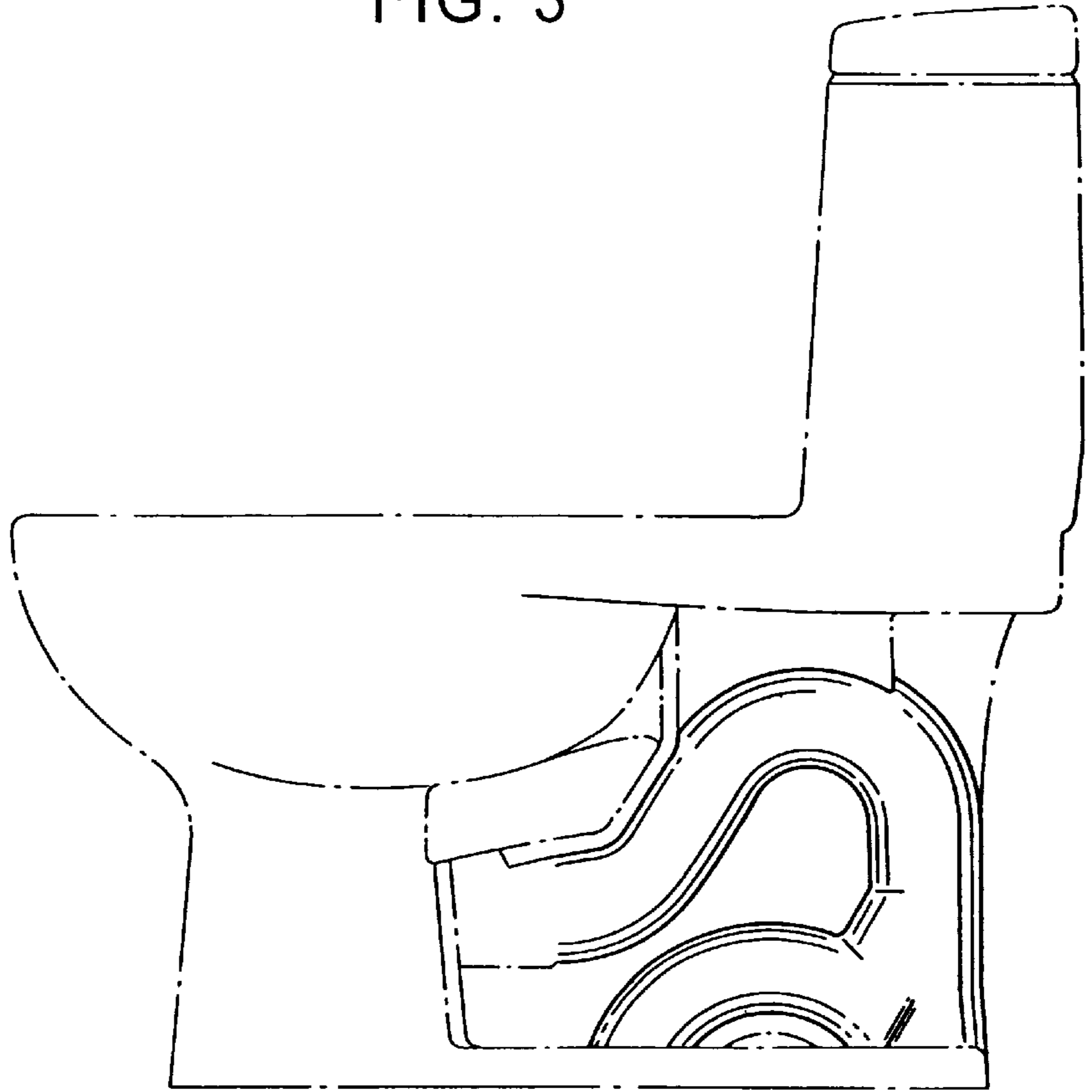


FIG. 4

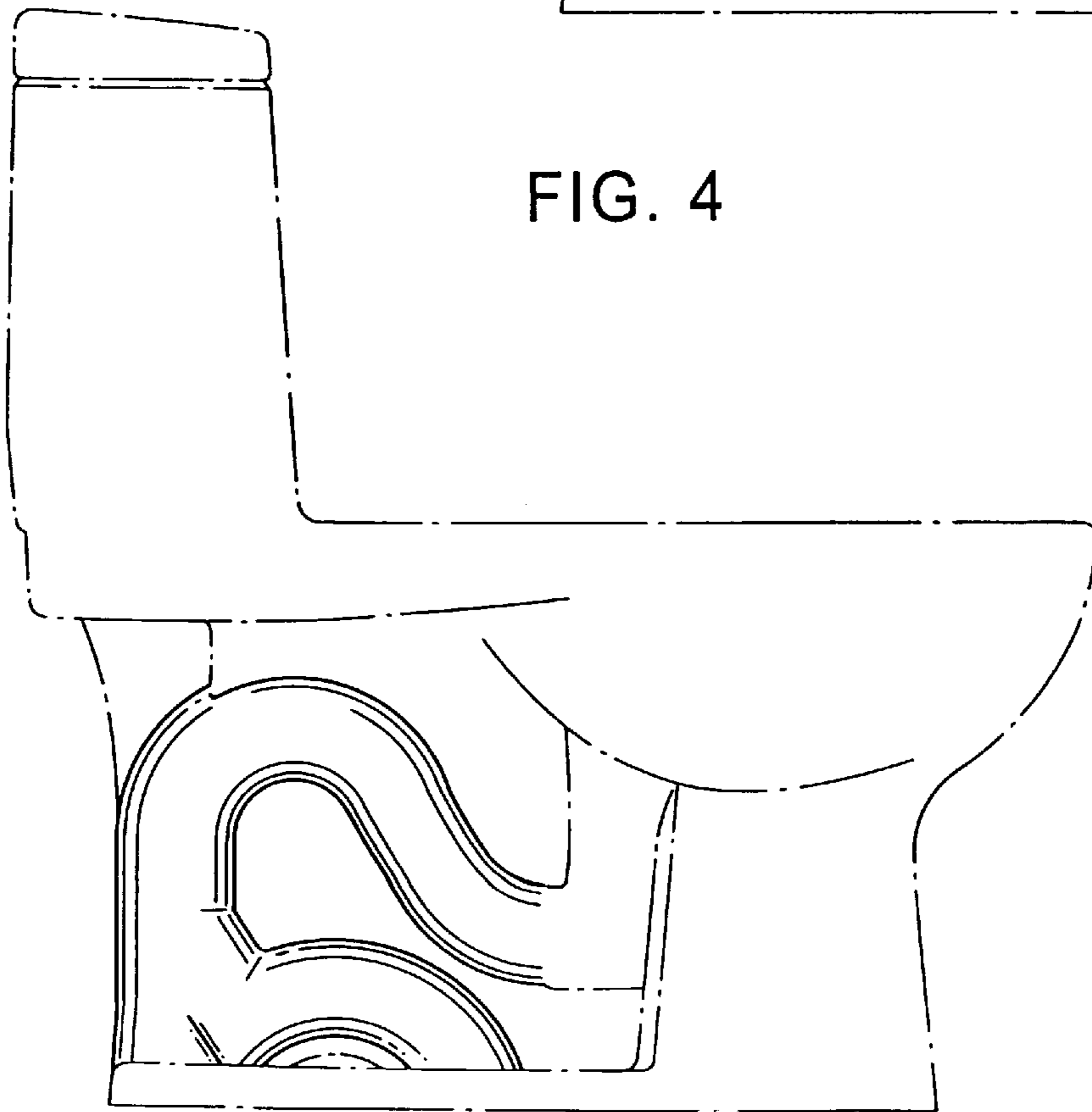


FIG. 5

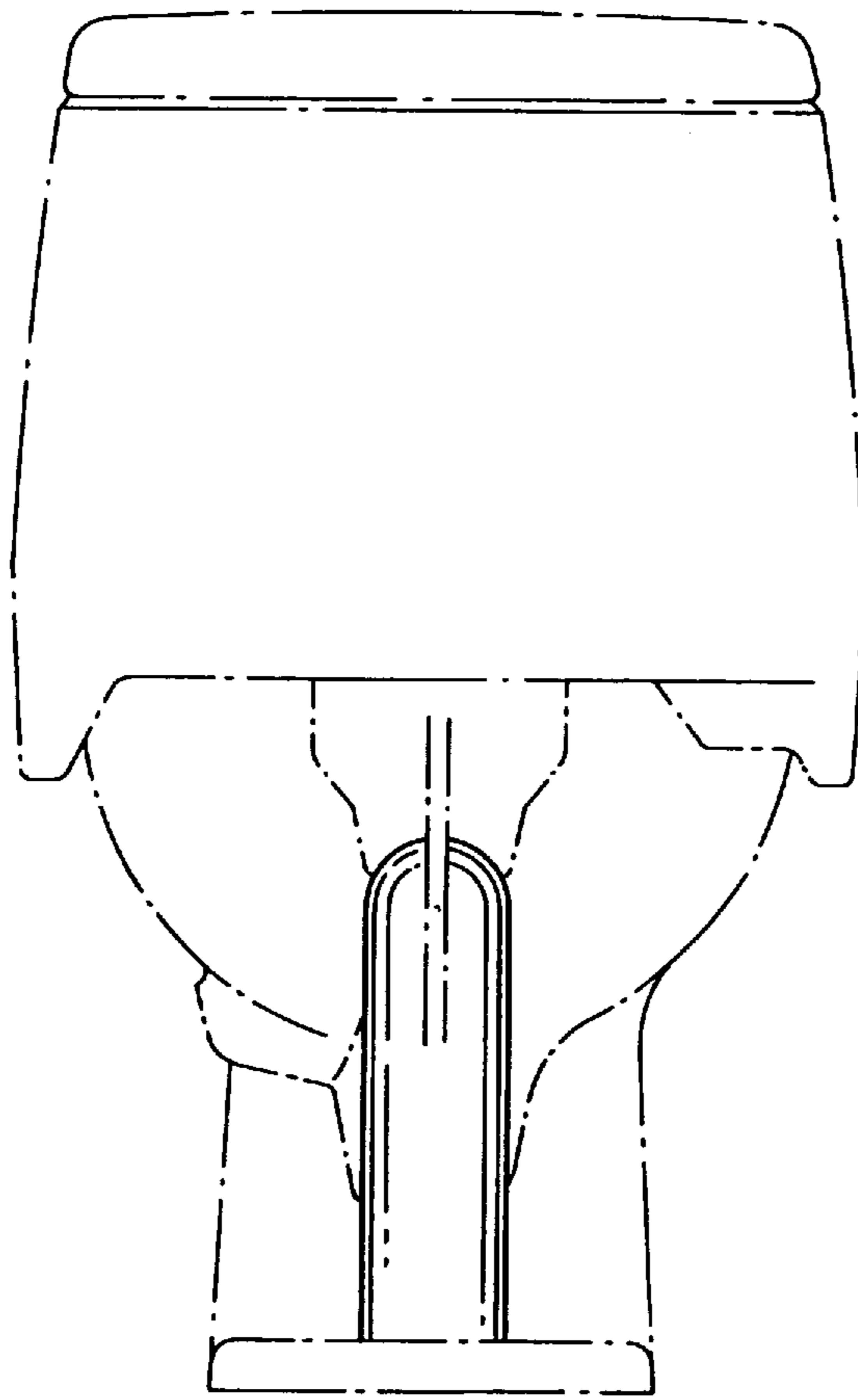


FIG. 7

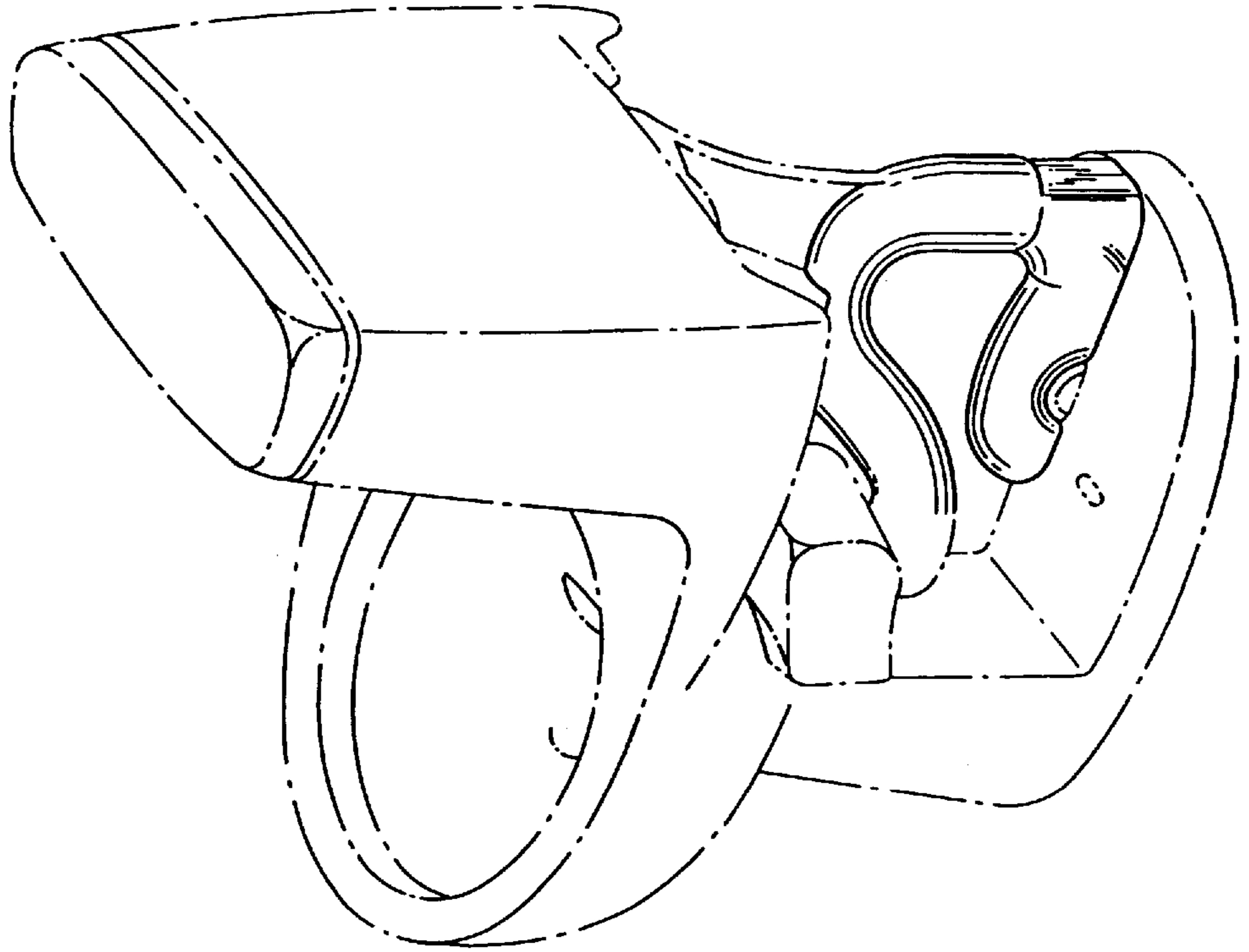


FIG. 6

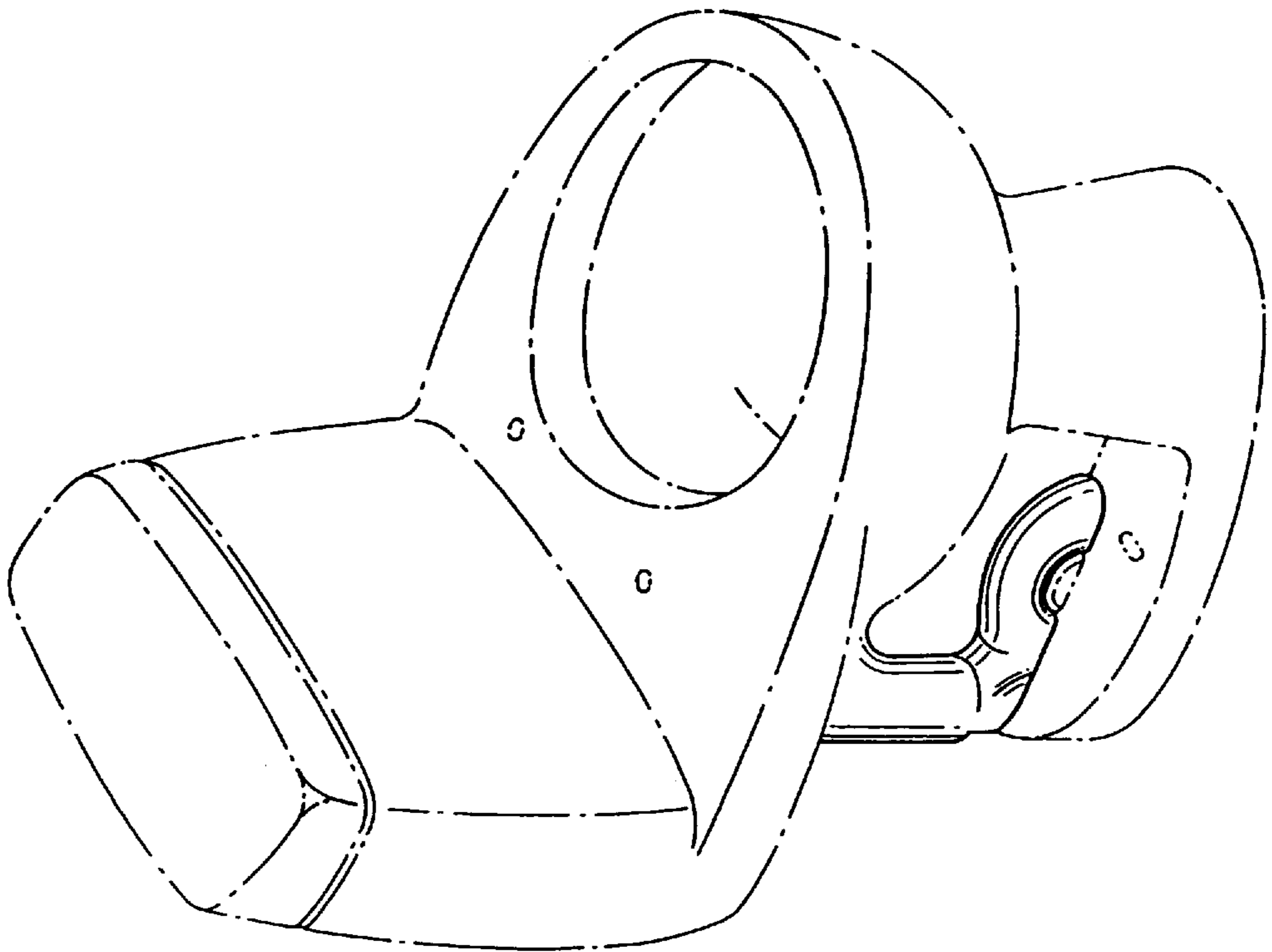


FIG. 8

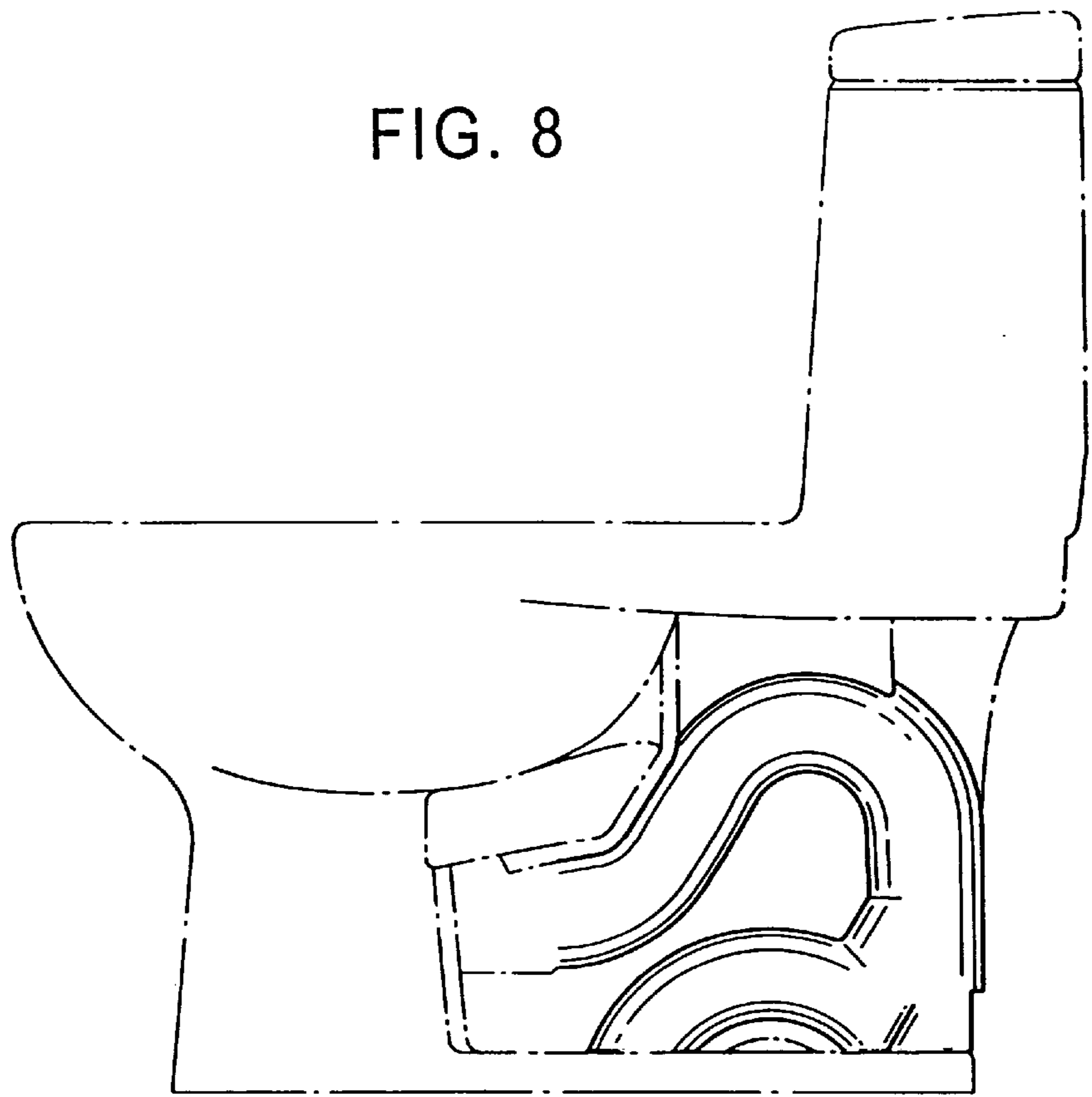


FIG. 9

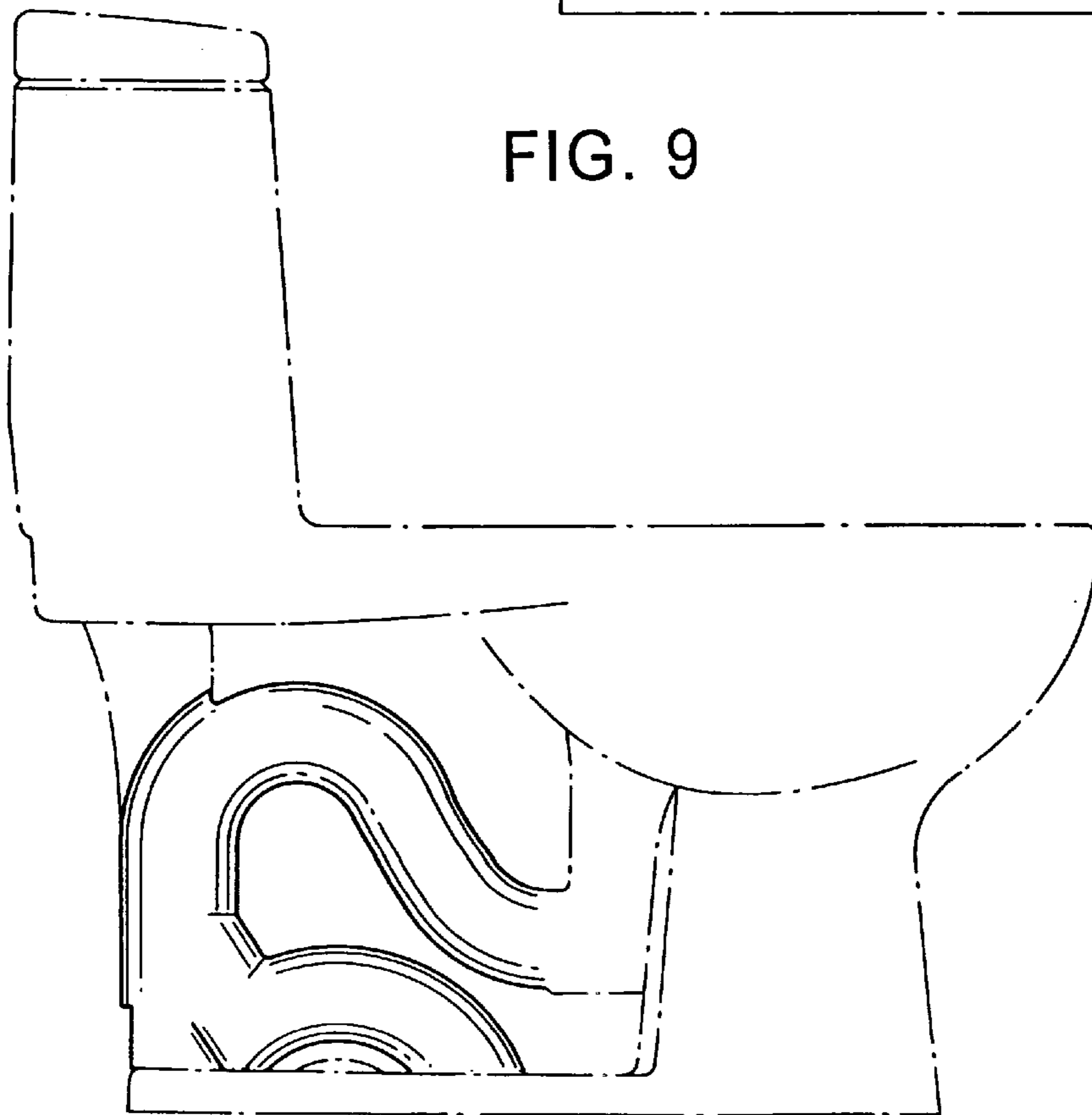


FIG. 10

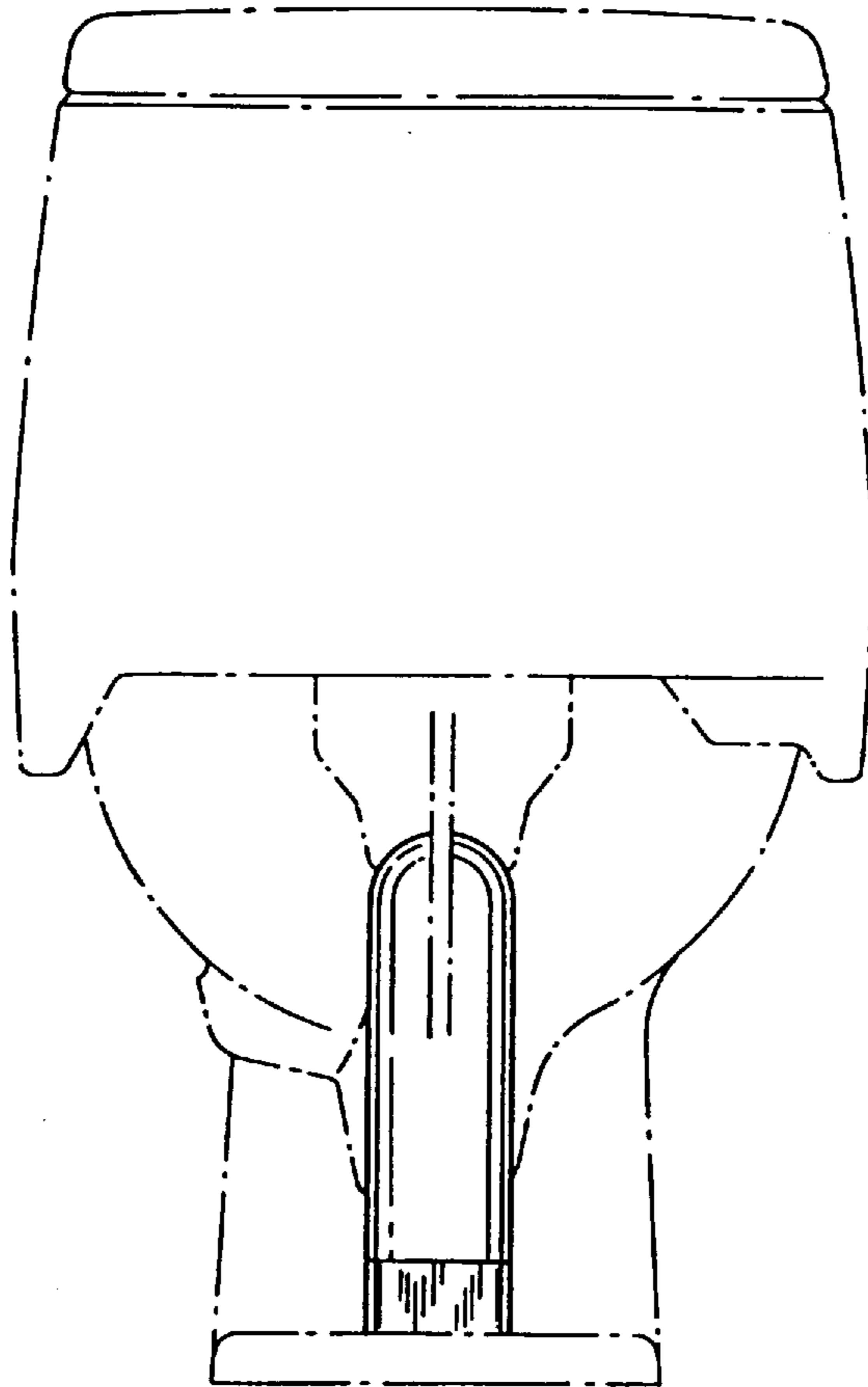


FIG. 11

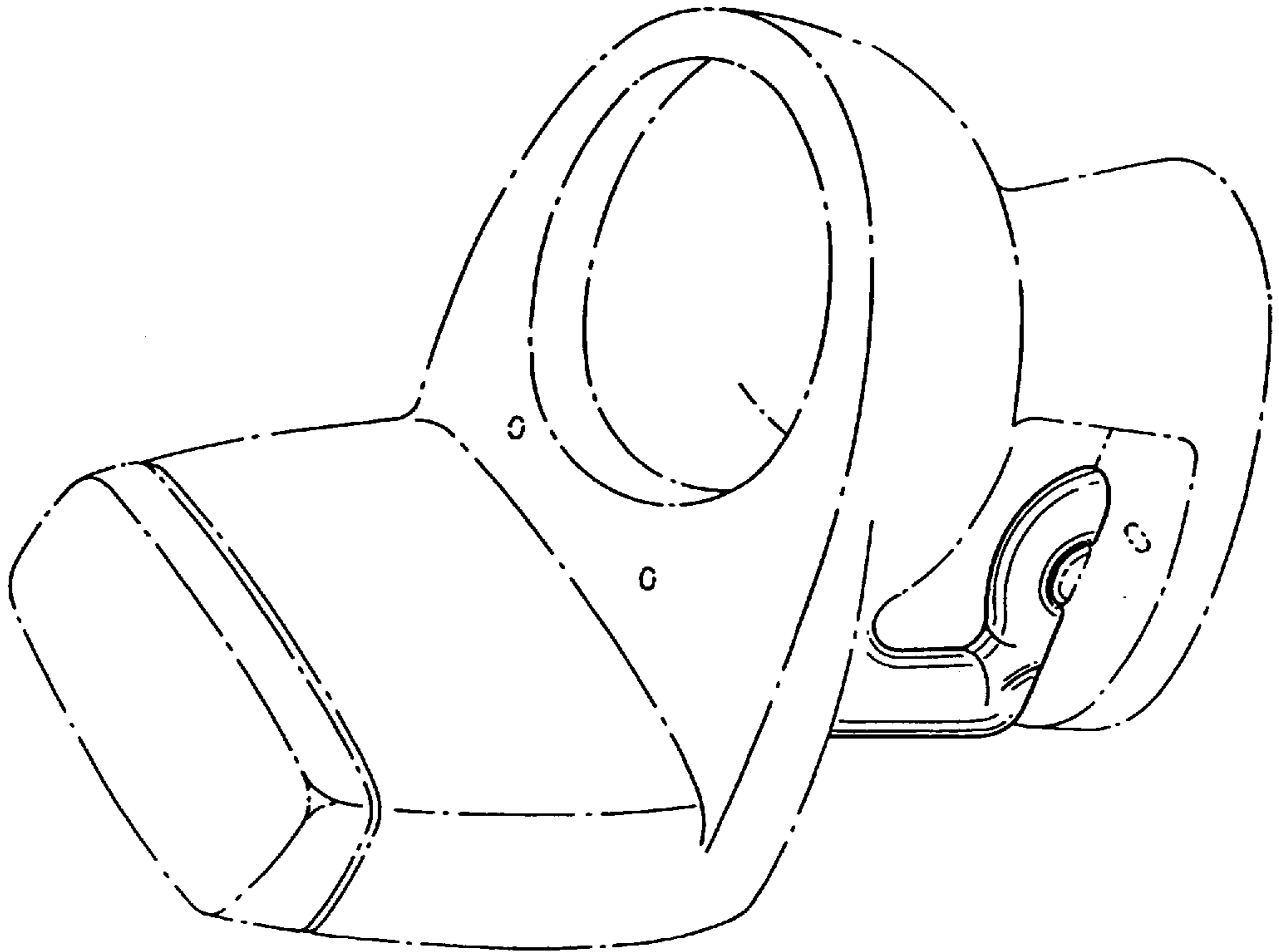


FIG. 12

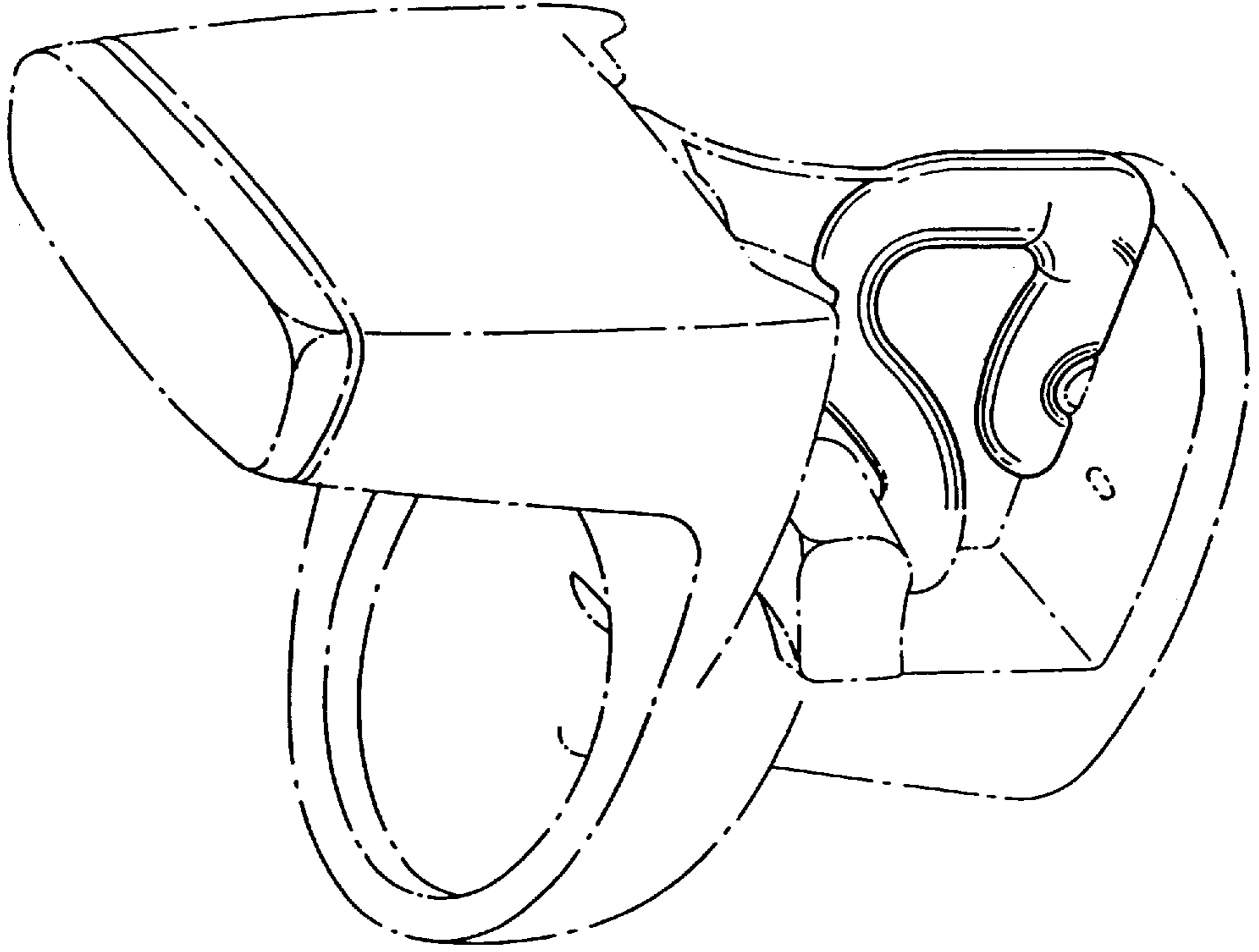


FIG. 13

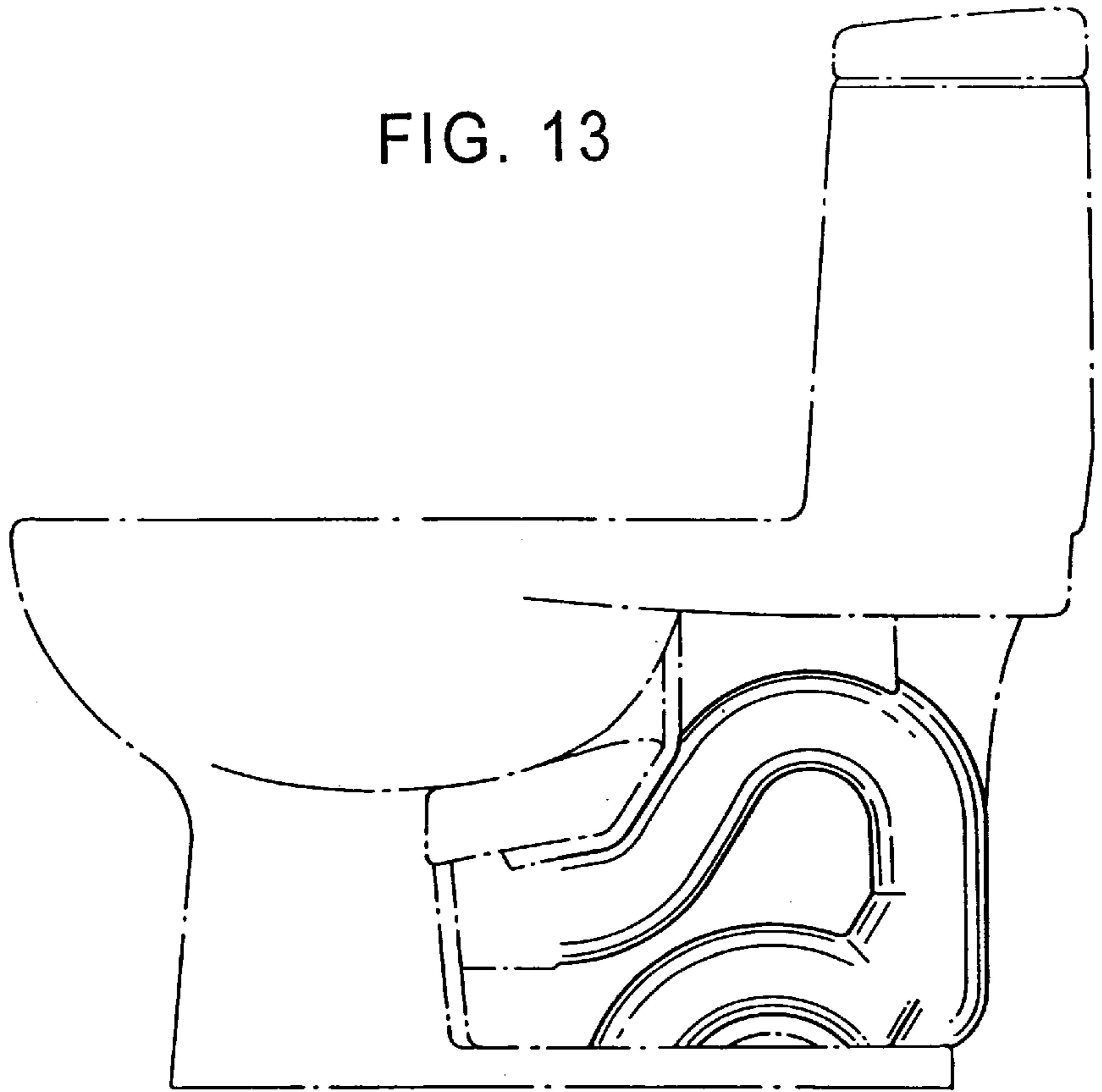


FIG. 14

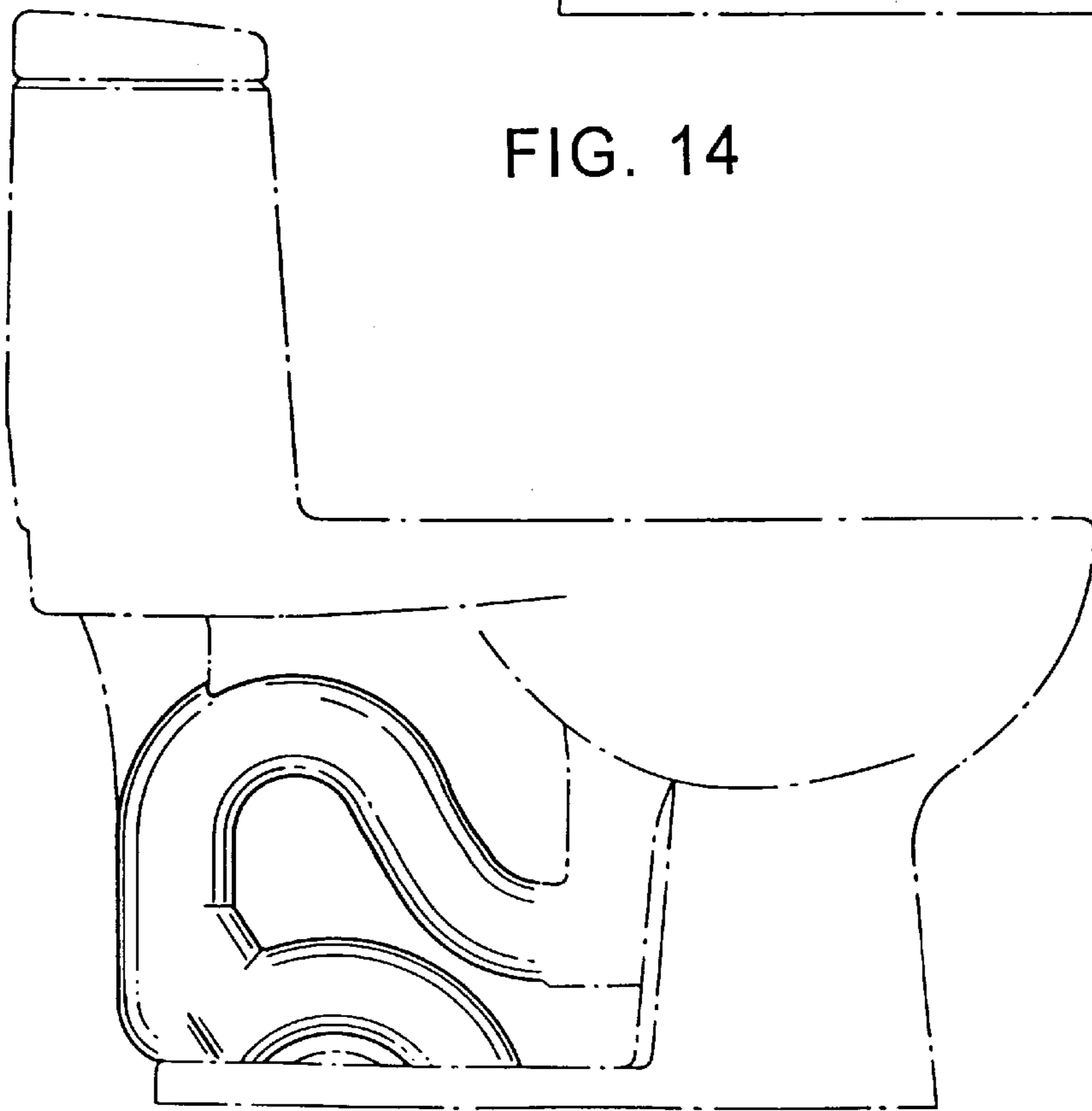


FIG. 15

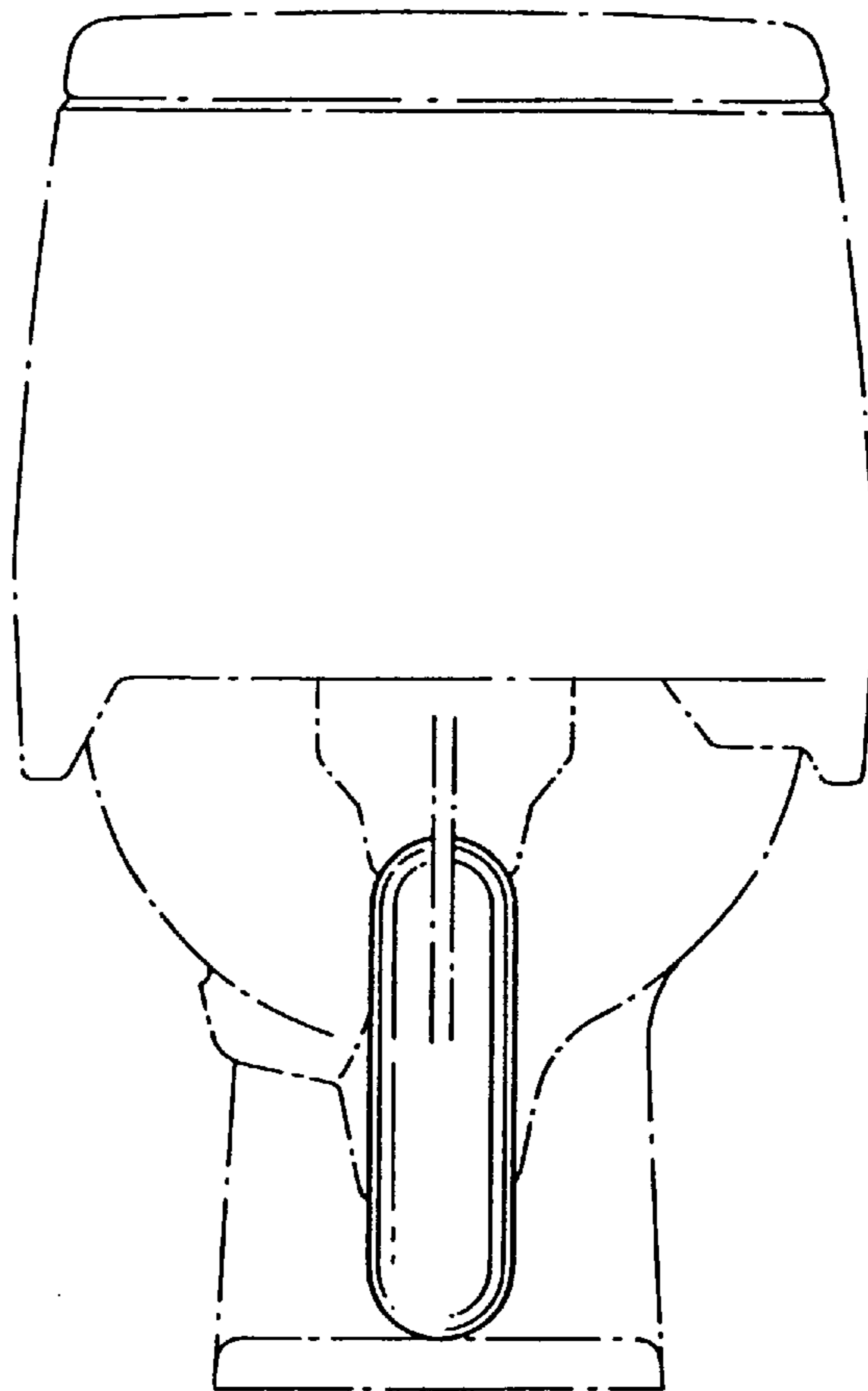


FIG. 17

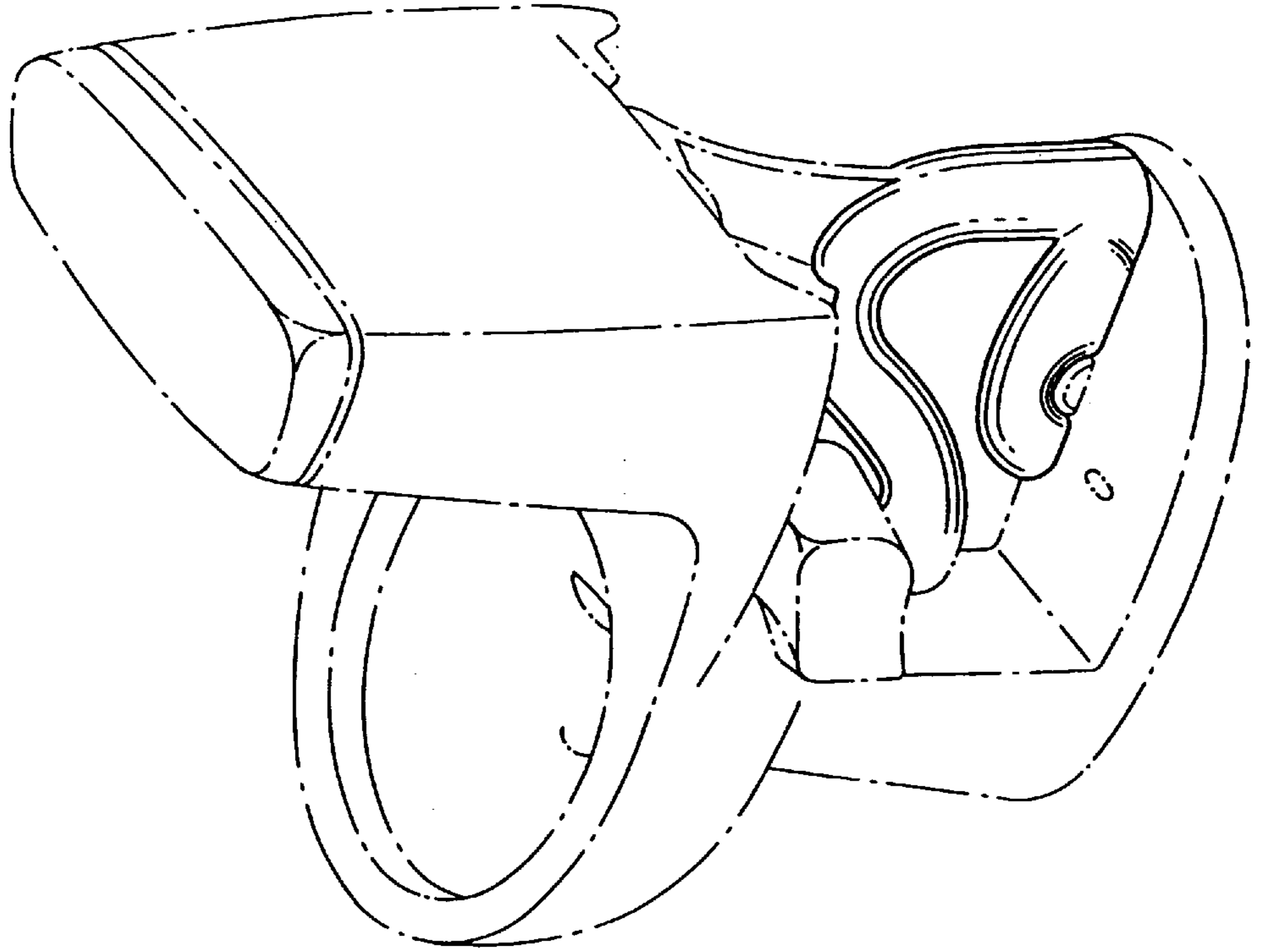


FIG. 16

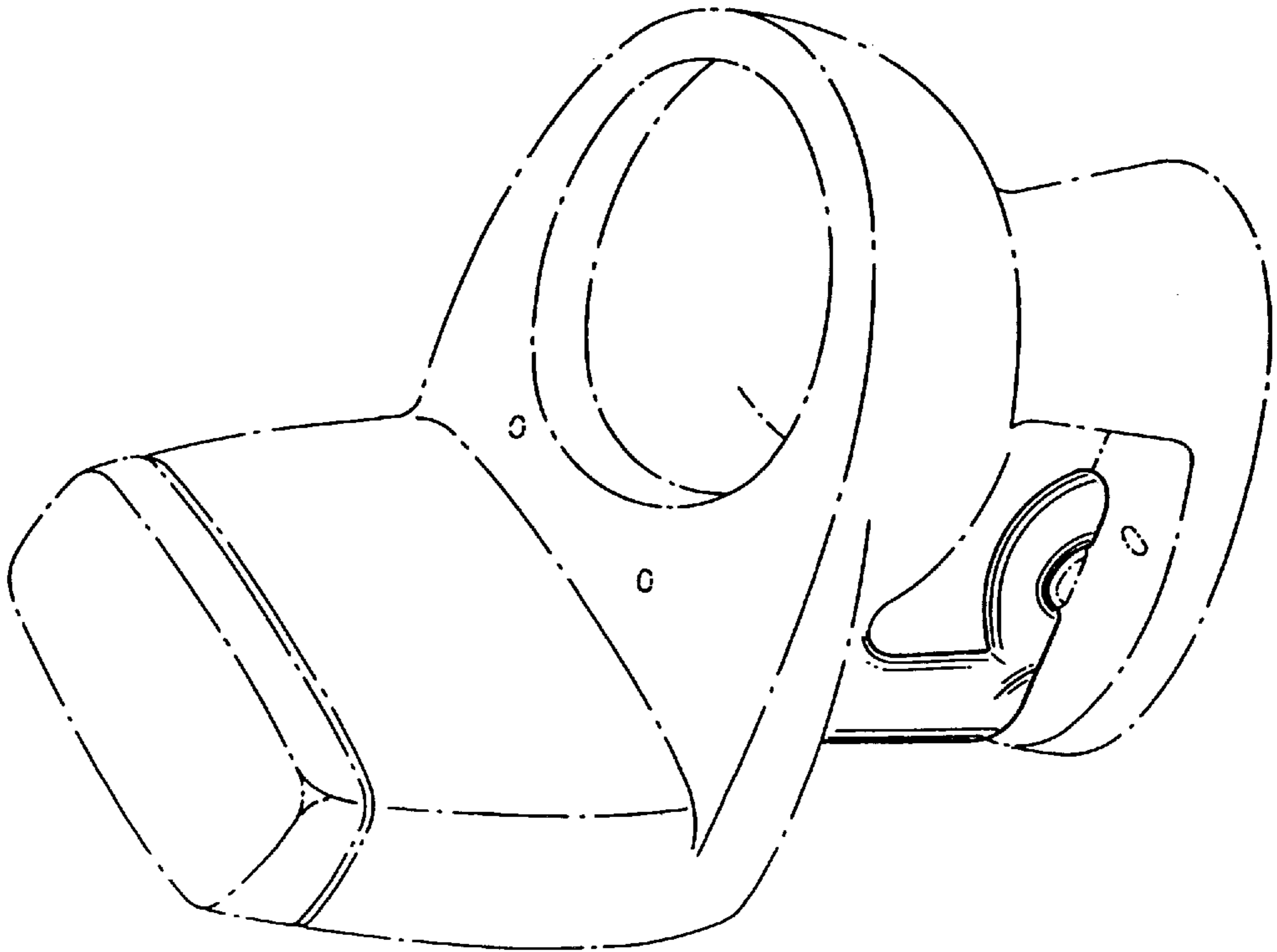


FIG. 18

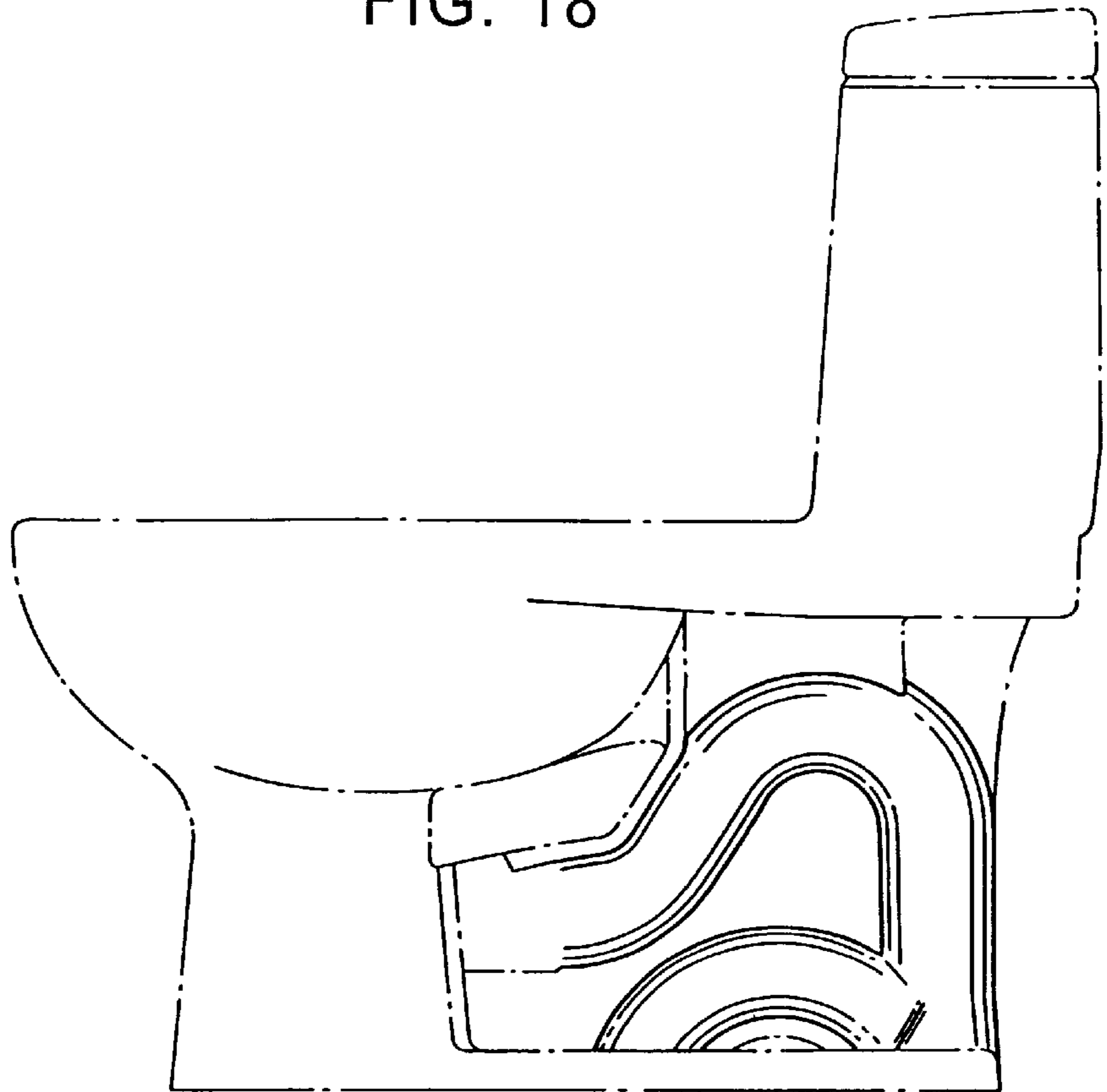


FIG. 19

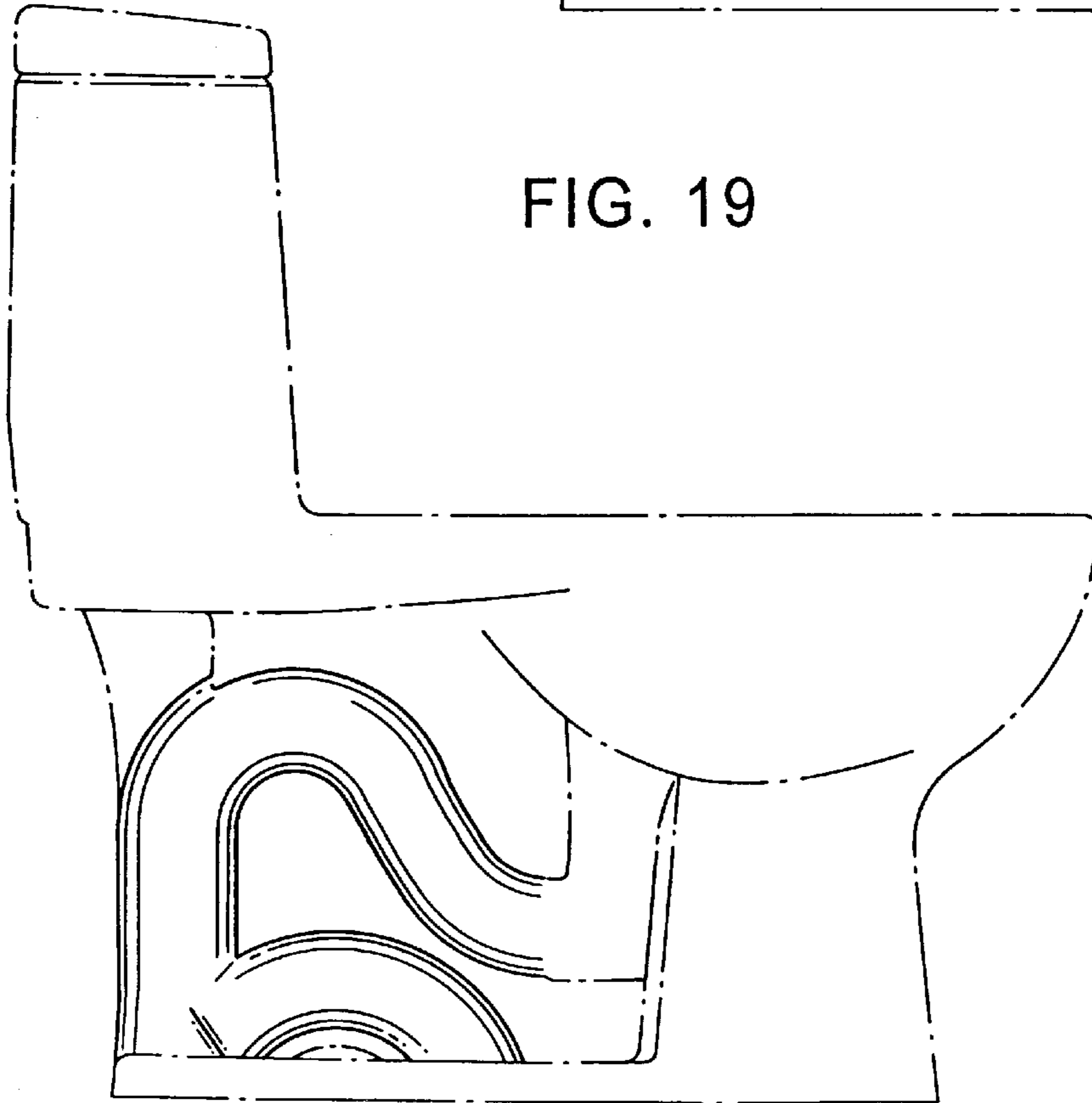


FIG. 20

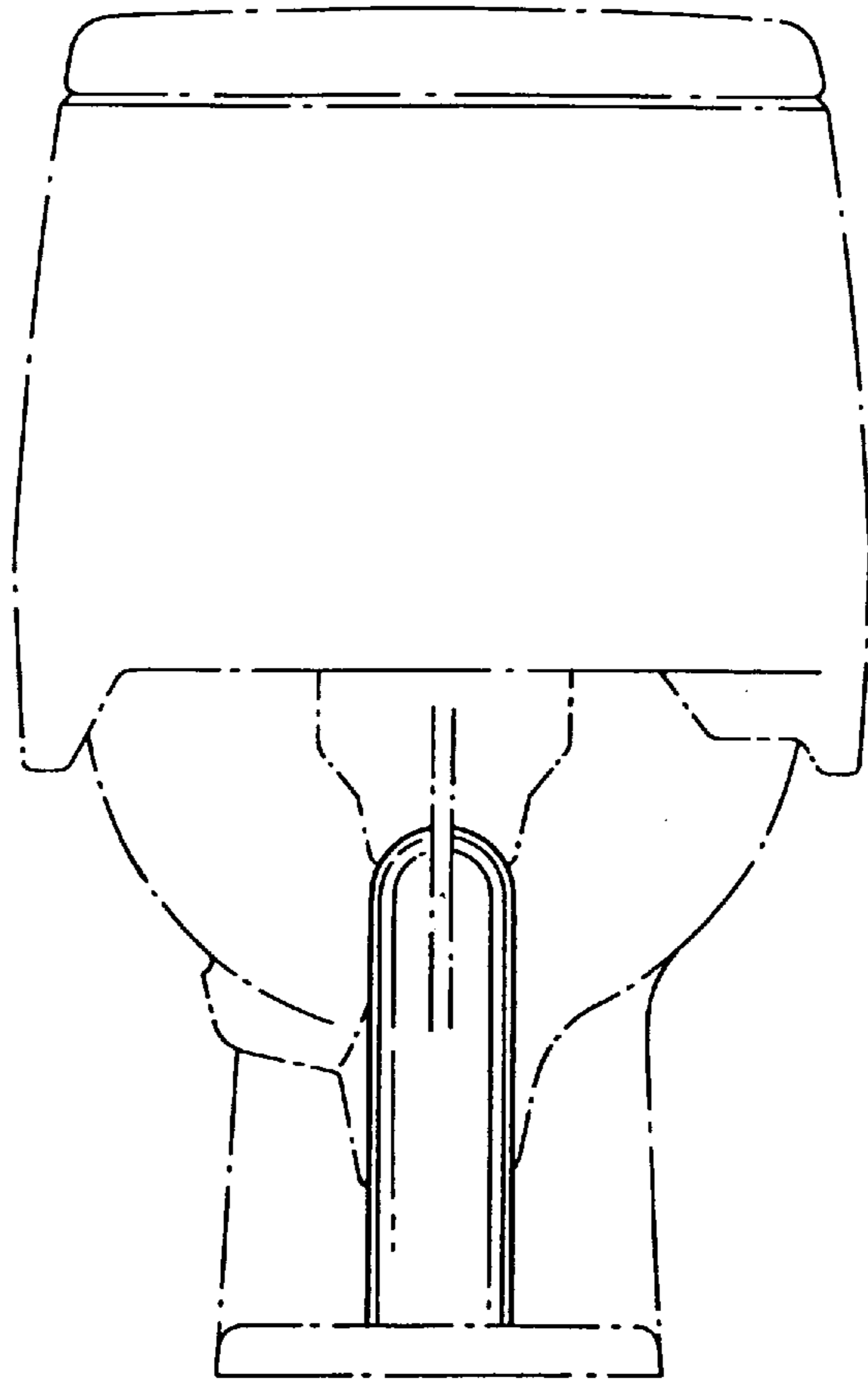


FIG. 22

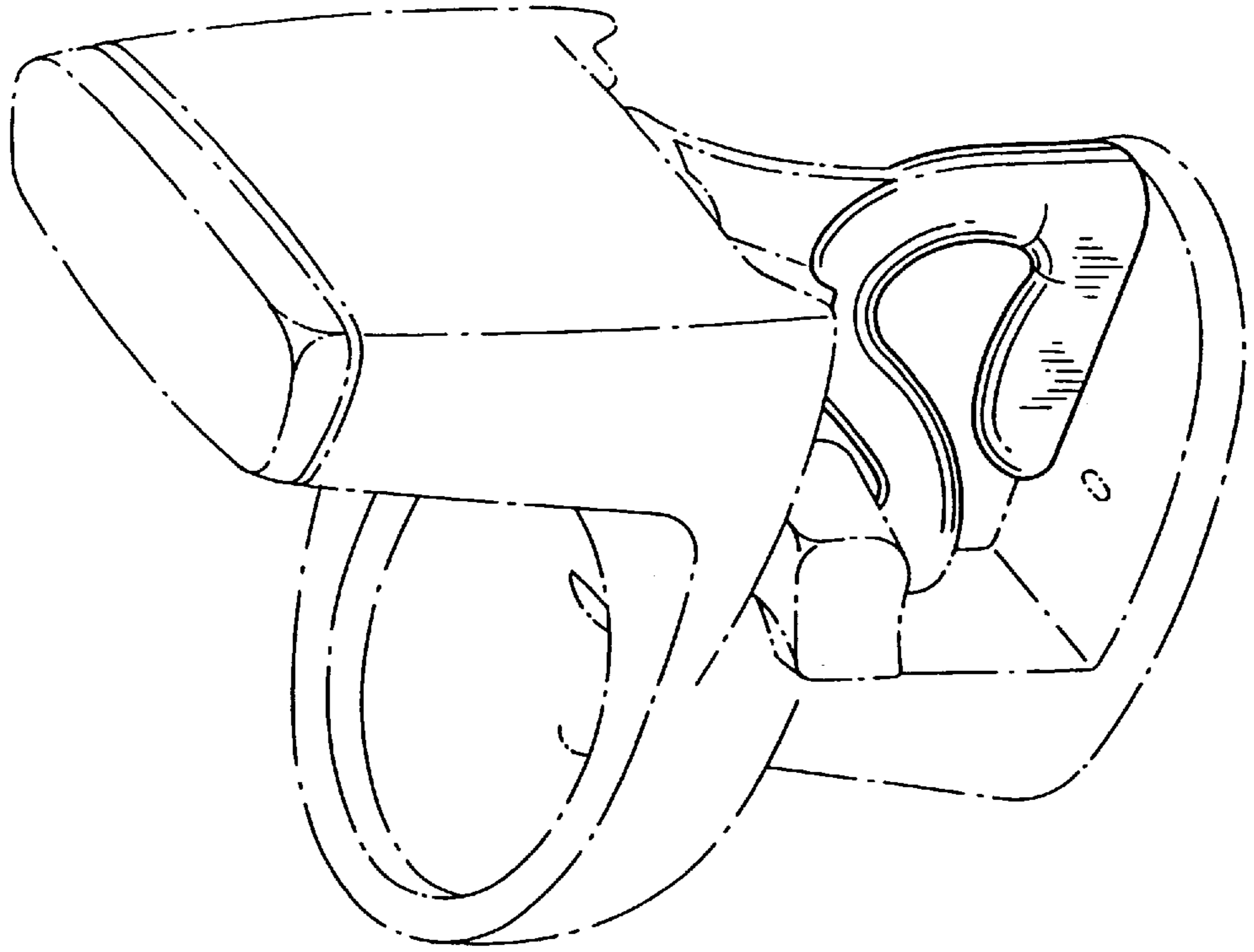


FIG. 21

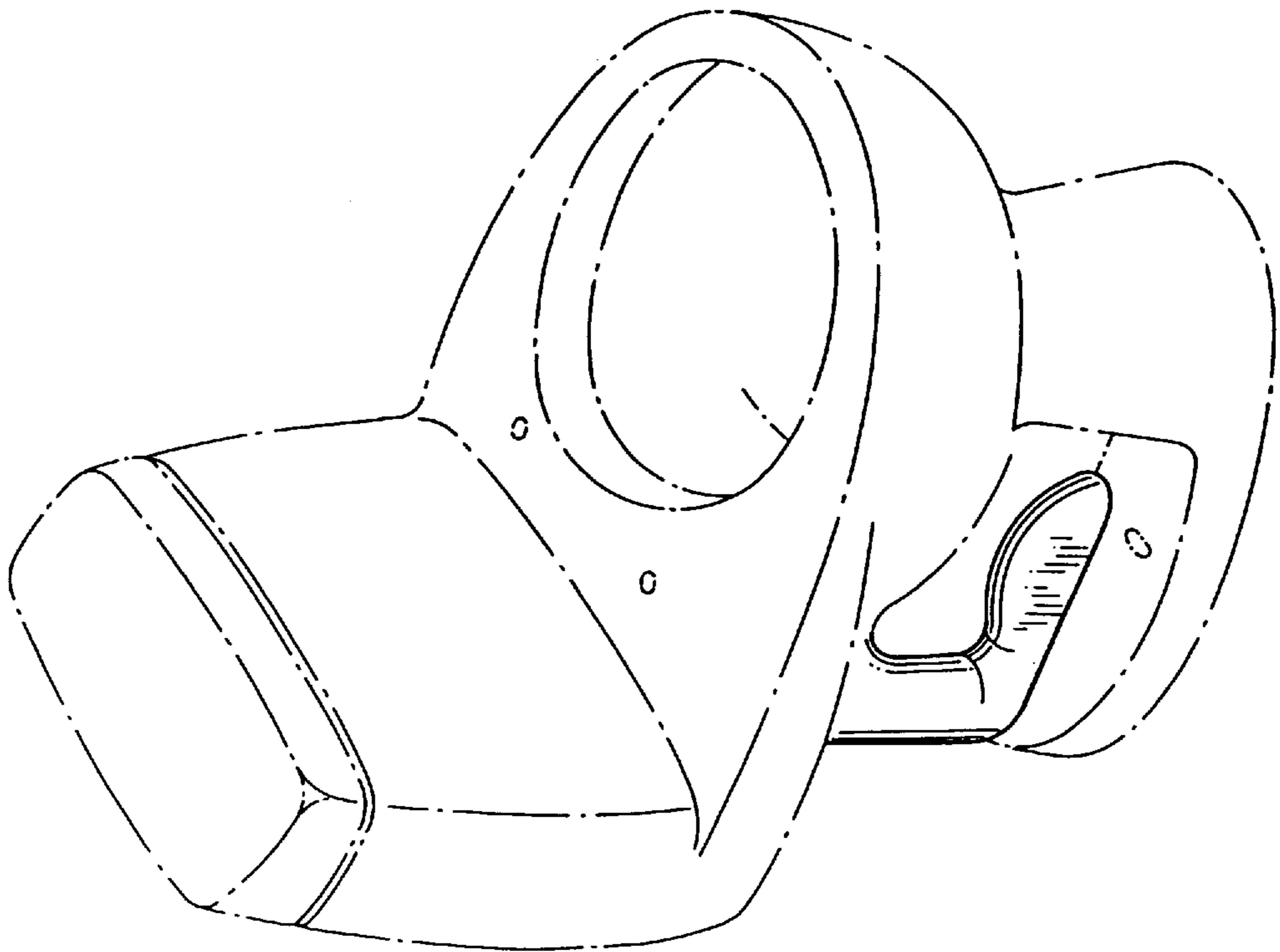


FIG. 23

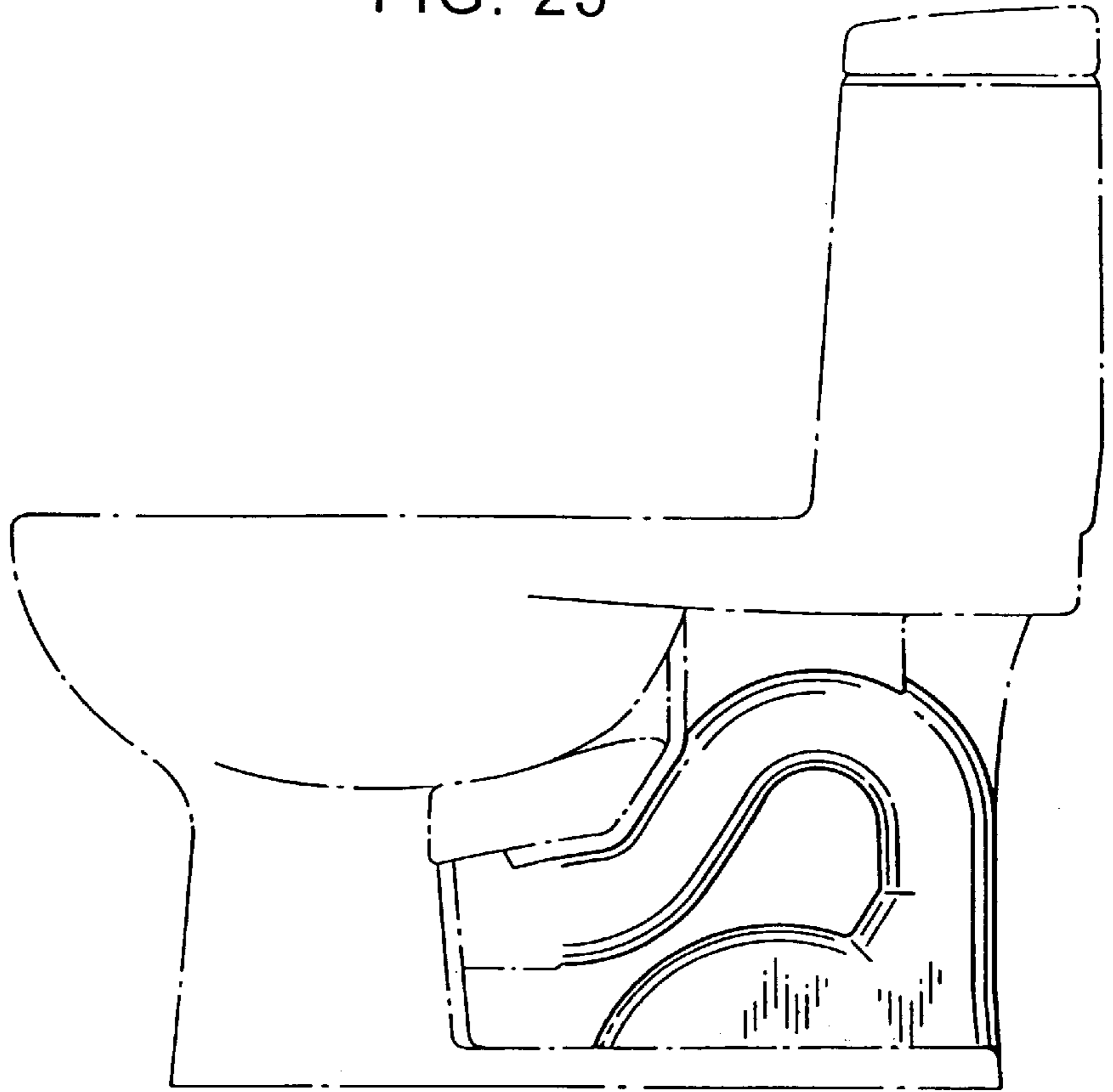


FIG. 24

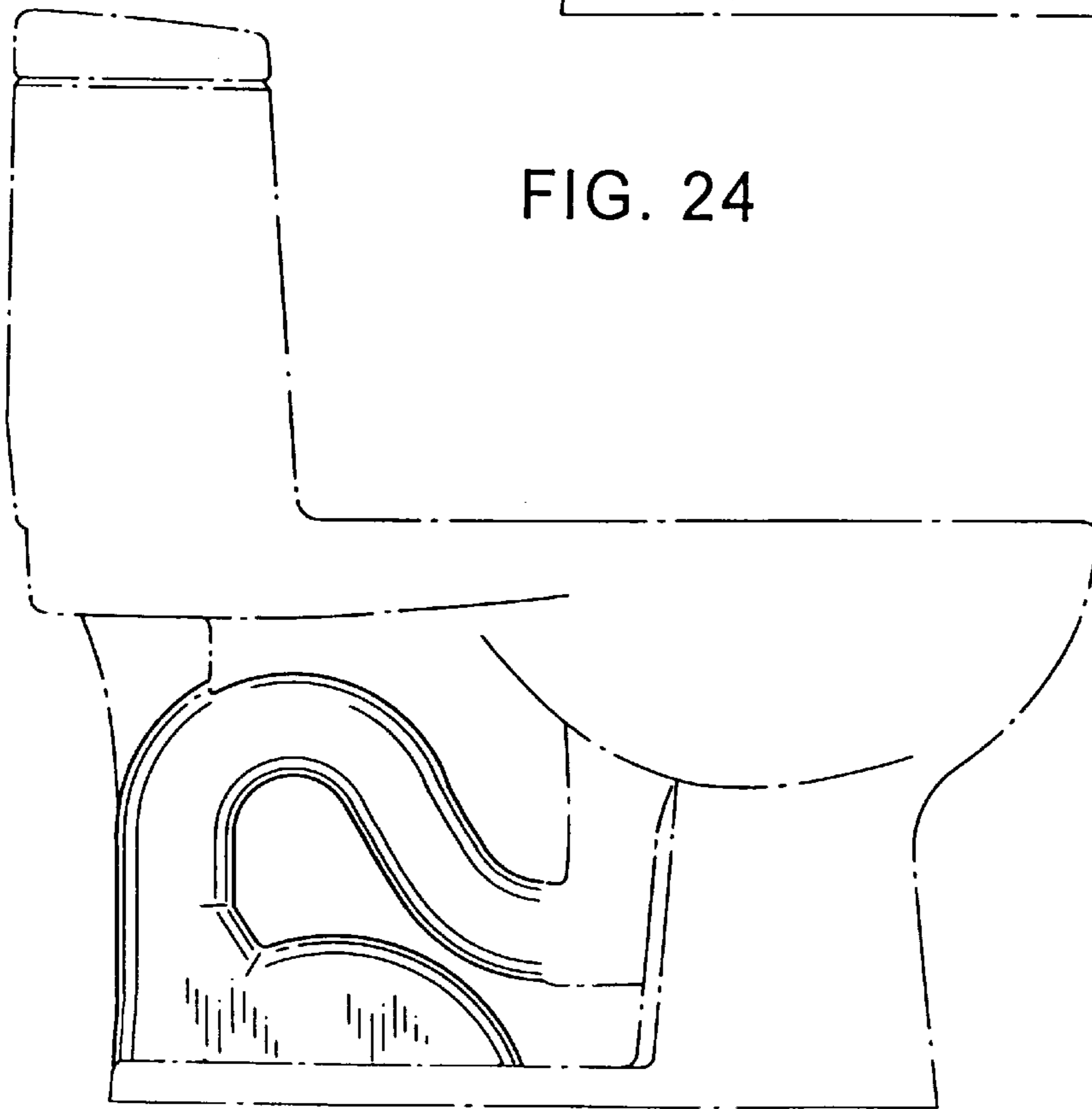


FIG. 25

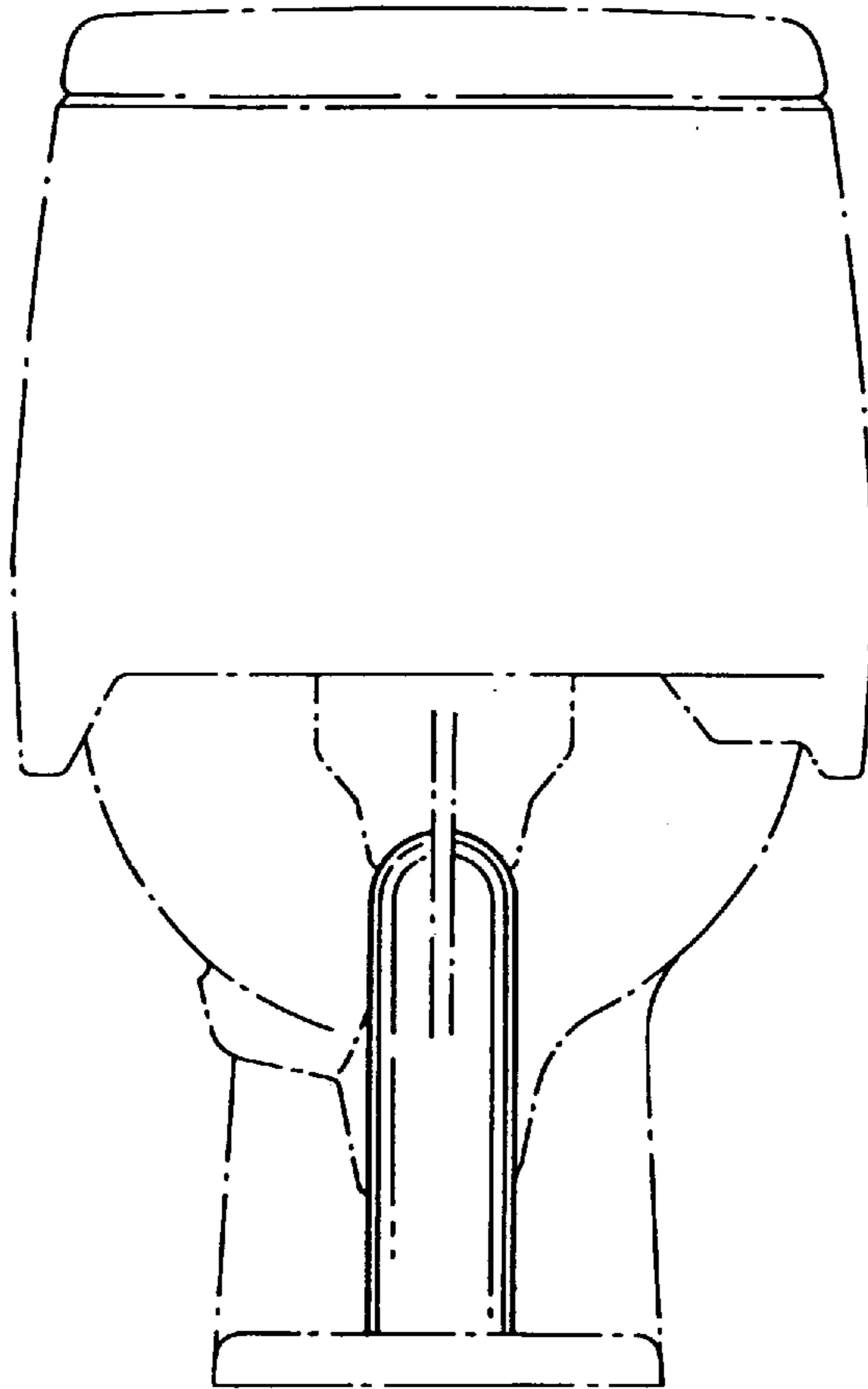


FIG. 27

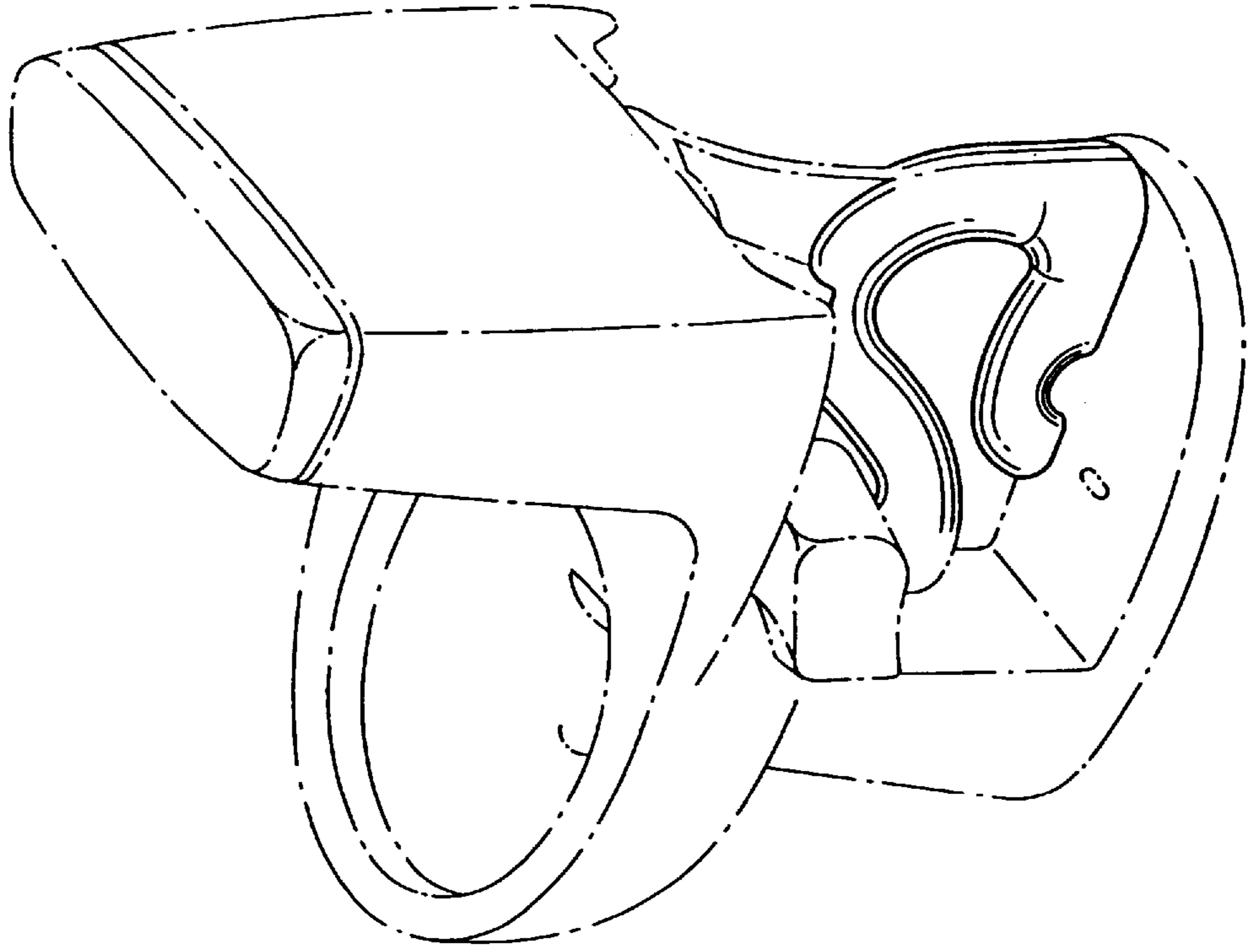


FIG. 26

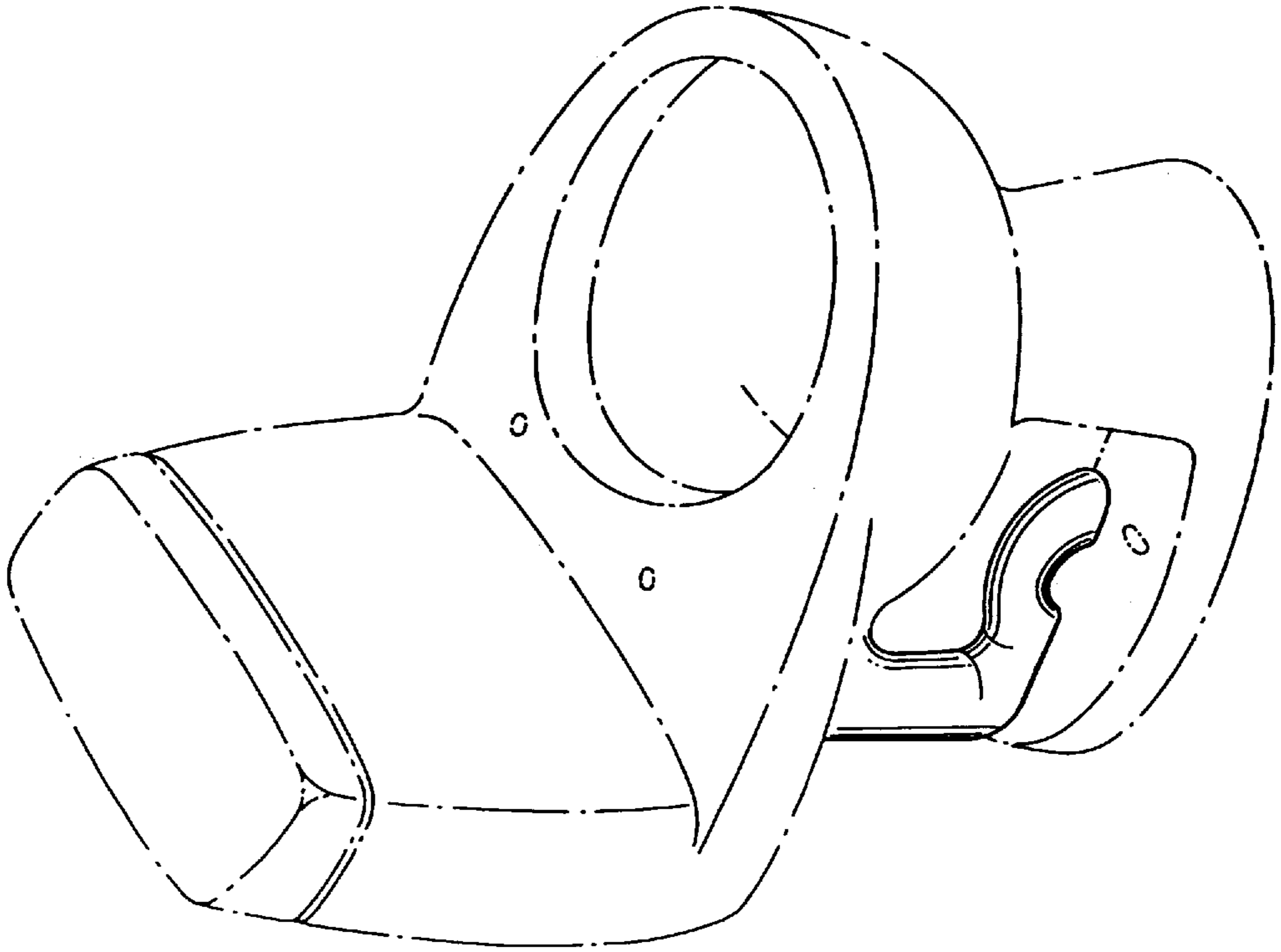


FIG. 28

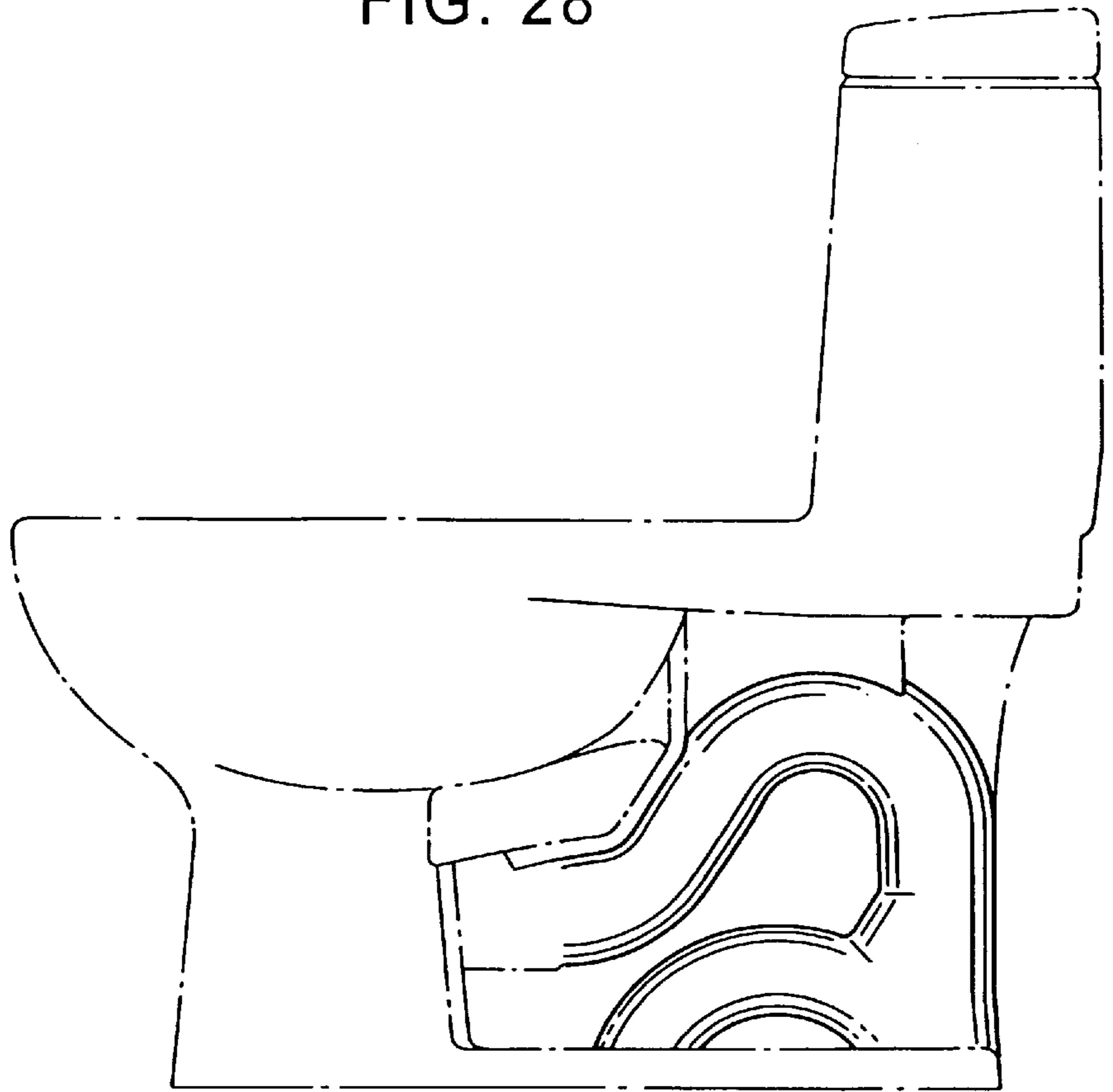


FIG. 29

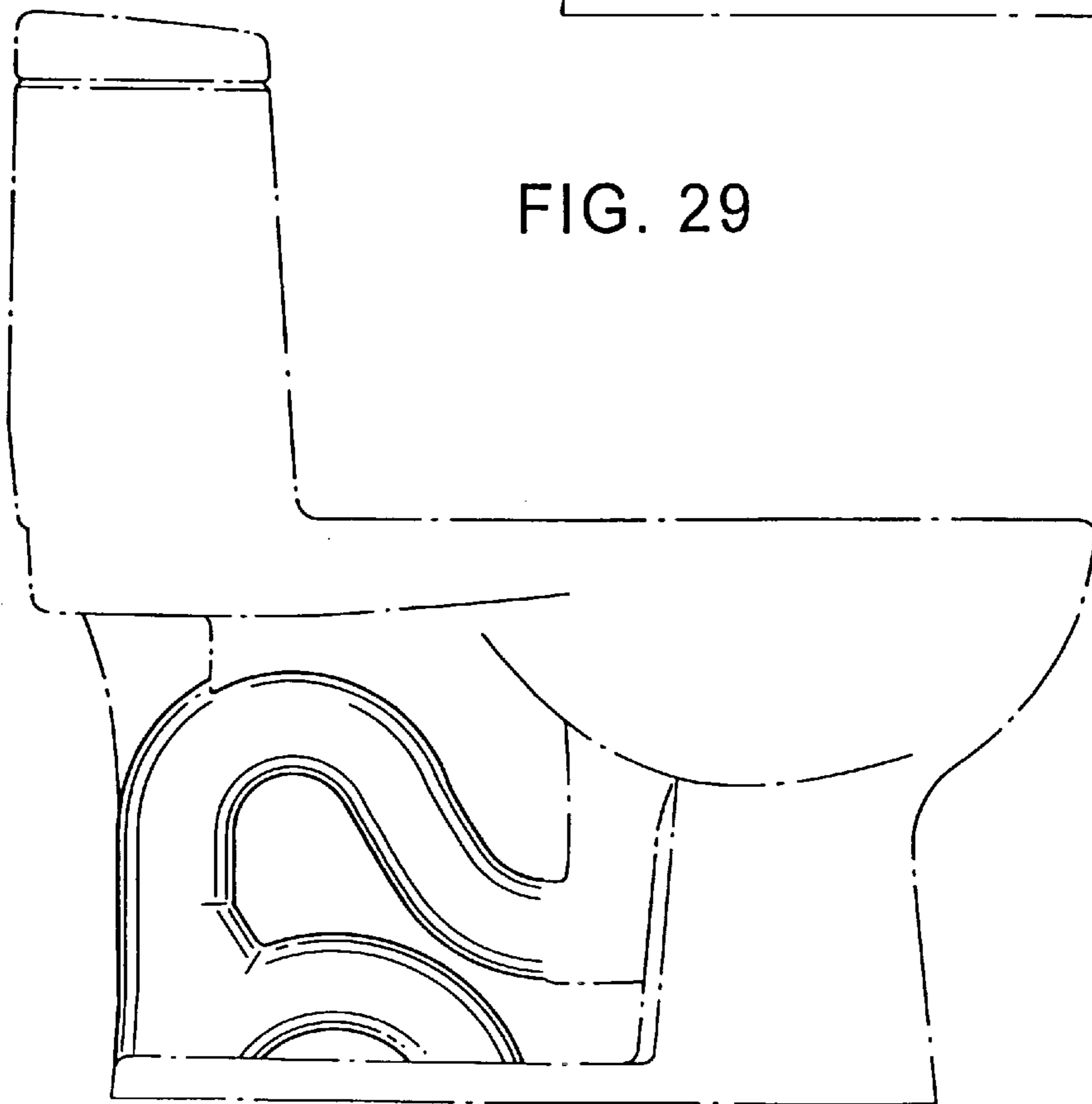


FIG. 30

