



US00D406328S

# United States Patent [19]

Speirs et al.

[11] **Patent Number: Des. 406,328**

[45] **Date of Patent: \*\*Mar. 2, 1999**

[54] **SPLASH DEFLECTOR SHOWER PANELS**

4,765,001 8/1988 Smith ..... 4/609  
5,606,752 3/1997 Shenton, Jr. et al. .... 4/609  
5,690,157 11/1997 Chen ..... 160/199

[76] Inventors: **Thomas S. Speirs**, 1824 Woodside Dr.,  
Thousand Oaks, Calif. 91362; **Michael  
Walline**, 1207 Sweetwater Dr.,  
Camarillo, Calif. 93010

*Primary Examiner*—Louis S. Zarfes  
*Assistant Examiner*—Eric Watterson  
*Attorney, Agent, or Firm*—Donald Diamond

[\*\*] Term: **14 Years**

### [57] CLAIM

[21] Appl. No.: **60,647**

The ornamental design for splash deflector shower panels, as shown and described.

[22] Filed: **Oct. 3, 1996**

[51] **LOC (6) Cl.** ..... **23-02**

[52] **U.S. Cl.** ..... **D23/307**

[58] **Field of Search** ..... D23/283, 303-311;  
D25/58, 59, 138, 119; 160/199; 4/559,  
609

### DESCRIPTION

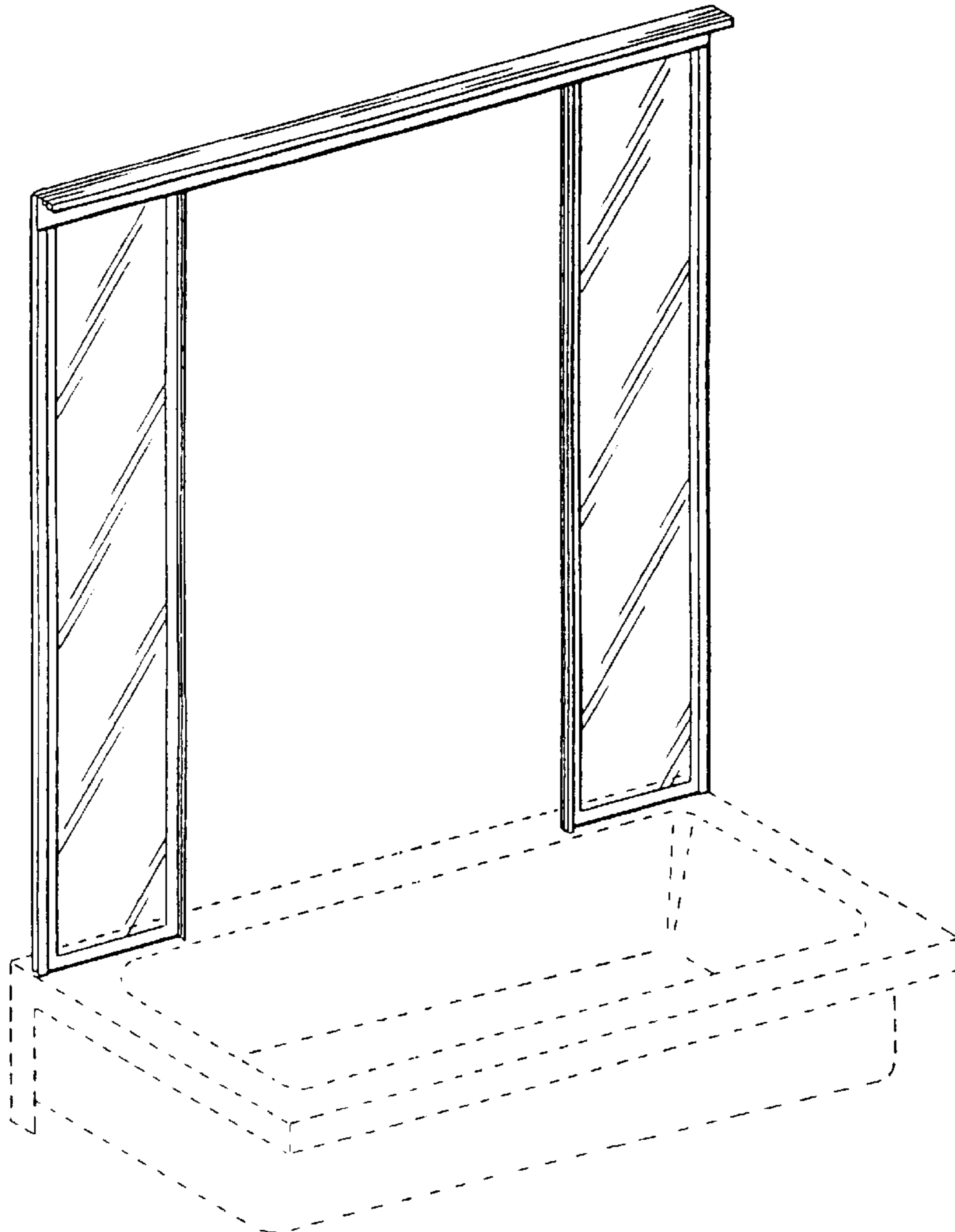
FIG. 1 is a top rear perspective view of splash deflector shower panels, showing my new design;  
FIG. 2 is a front elevational view thereof;  
FIG. 3 is a rear elevational view thereof;  
FIG. 4 is a right side elevational view thereof;  
FIG. 5 is a left side elevational view thereof;  
FIG. 6 is a top plan view thereof;  
FIG. 7 is a bottom plan view thereof; and,  
FIG. 8 is an enlarged section view taken from FIG. 1.  
The broken line showing is for illustrative purposes only and forms no part of the claimed design.

### [56] References Cited

#### U.S. PATENT DOCUMENTS

D. 239,627	4/1976	Verlet	.....	D23/283
255,707	7/1882	Obradovits	.....	D23/69
D. 306,078	2/1990	Whitney	.....	D25/119
4,152,790	5/1979	Obradovits	.....	4/149
4,189,790	2/1980	Masters, III	.....	4/559

**1 Claim, 3 Drawing Sheets**



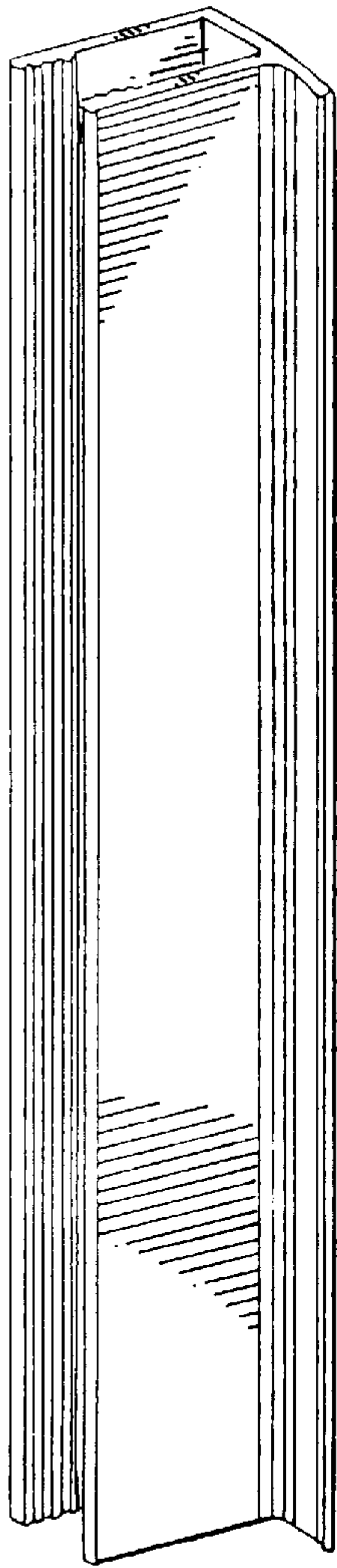


FIG. 8

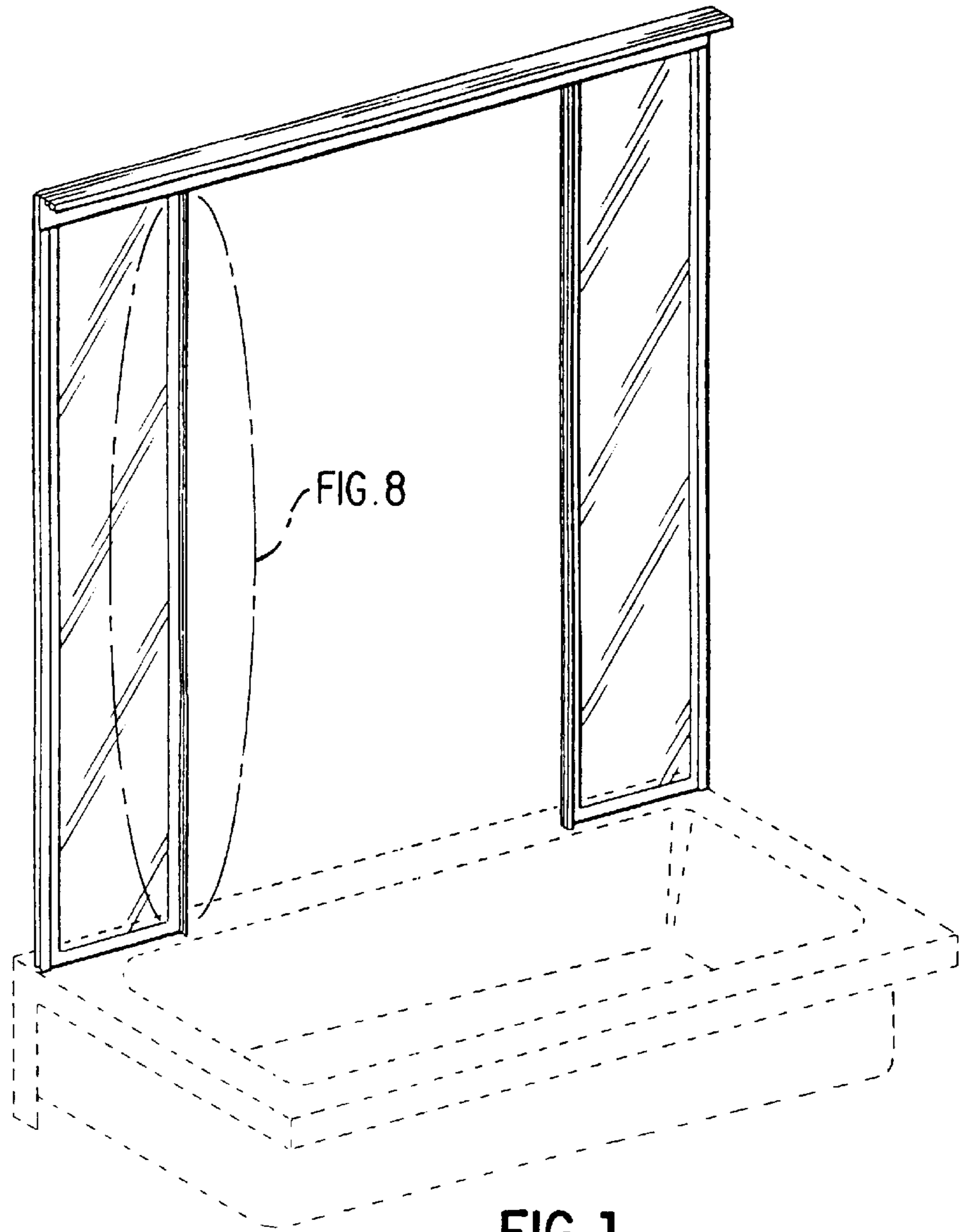


FIG. 1

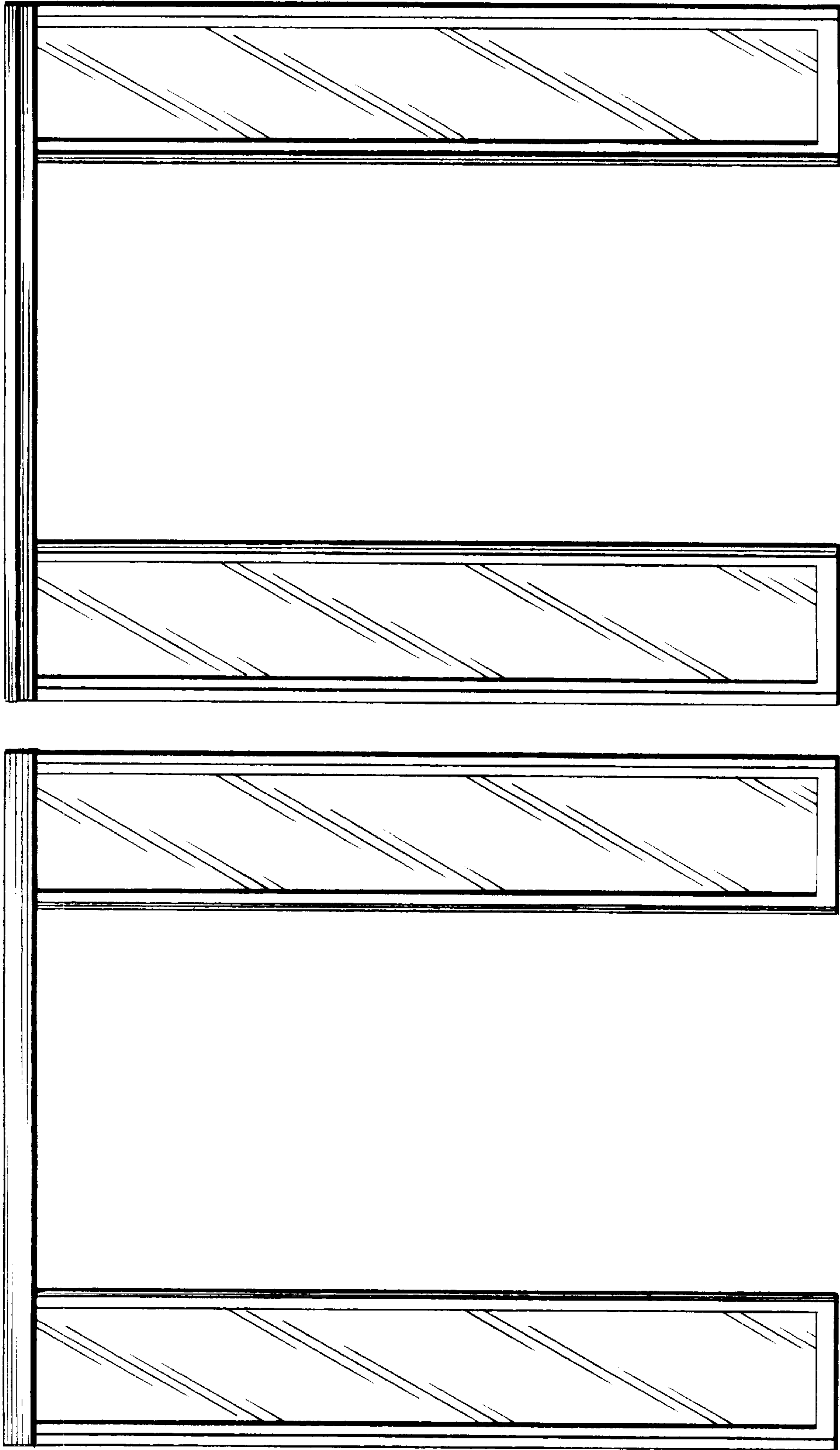


FIG. 3

FIG. 2

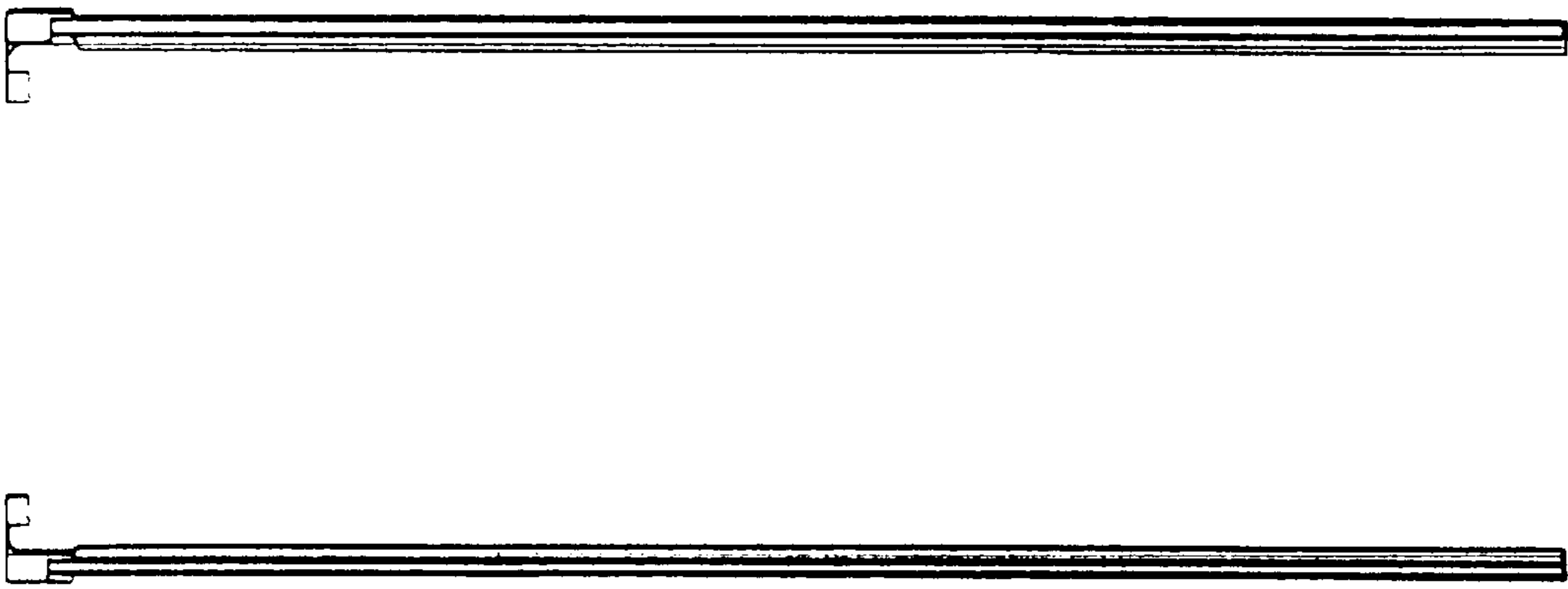


FIG. 4

FIG. 5



FIG. 6



FIG. 7