



US00D406327S

United States Patent [19]
Kopp

[11] **Patent Number: Des. 406,327**

[45] **Date of Patent: **Mar. 2, 1999**

[54] **SHOWER OUTLET NOZZLE AND HOSE CONNECTION THERETO**

3,533,555 10/1970 Billeher 239/587.74
4,354,624 10/1982 Chowdhury et al. .

[76] Inventor: **Lawrence Kopp**, 74B Cuba Hill Rd.,
Greenlawn, N.Y. 11740

Primary Examiner—Louis S. Zarfes
Assistant Examiner—Eric Watterson
Attorney, Agent, or Firm—Myron Amer

[**] Term: **14 Years**

[57] **CLAIM**

[21] Appl. No.: **75,881**

The ornamental design for a shower outlet nozzle and hose connection thereto, as shown and described.

[22] Filed: **Jul. 14, 1997**

[51] **LOC (6) Cl.** **23-02**

[52] **U.S. Cl.** **D23/304**

[58] **Field of Search** D23/213, 223,
D23/228, 283, 303, 304; D8/352, 549

DESCRIPTION

FIG. 1 is a perspective view of a shower outlet nozzle and hose connection thereto showing my new design;

FIG. 2 is a plan view thereof;

FIG. 3 is a right side elevational view thereof of which the left side elevational view thereof is a mirror image;

FIG. 4 is a rear view thereof;

FIG. 5 is a front elevational view thereof; and,

FIG. 6 is a bottom view thereof.

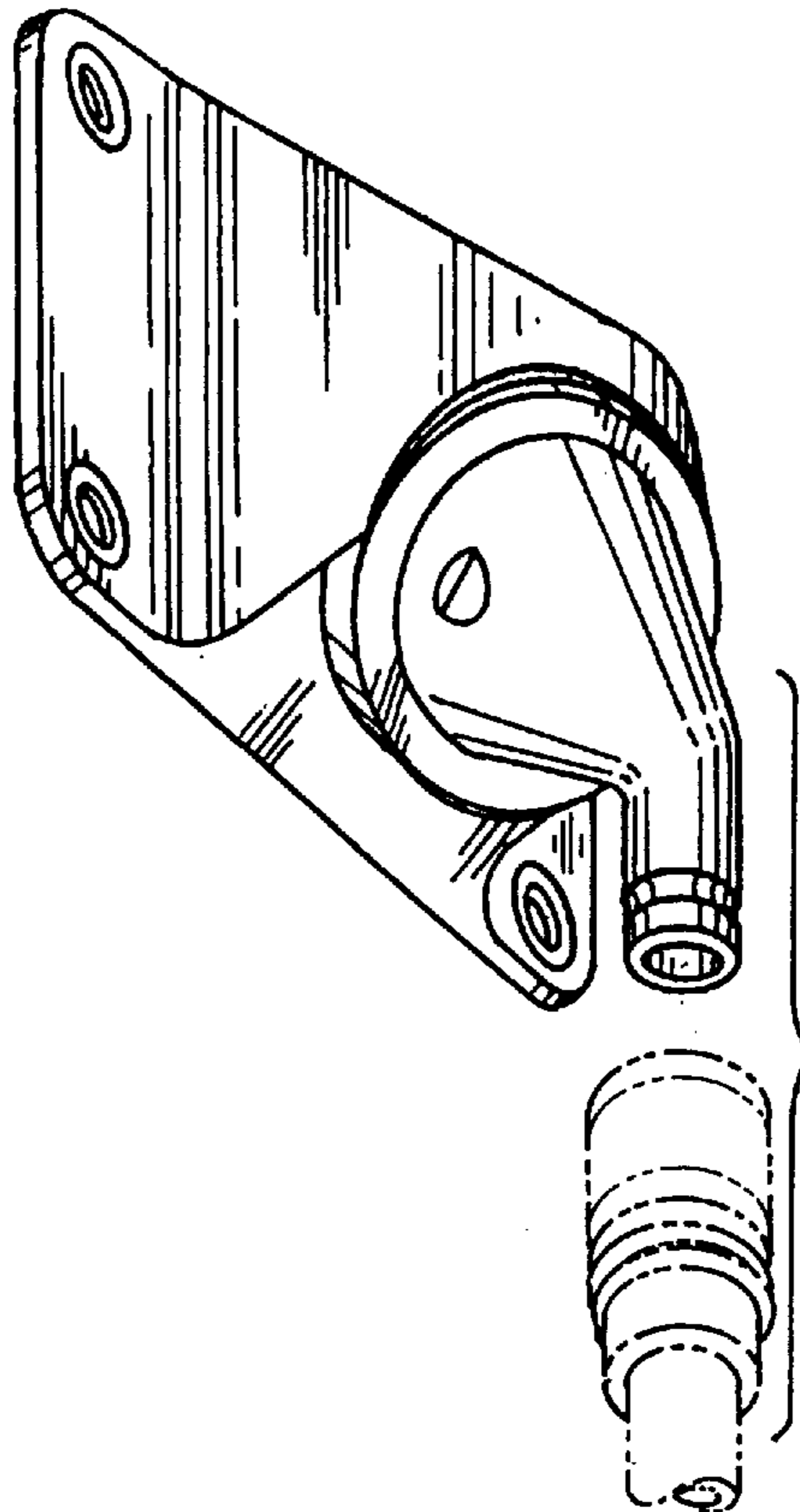
The broken line showing is for illustrative purposes only and forms no part of the claimed design.

[56] **References Cited**

U.S. PATENT DOCUMENTS

- D. 95,258 4/1935 Johnson .
- D. 177,288 3/1956 Tiller .
- D. 235,017 4/1975 Breler .
- D. 263,867 4/1982 Thompson .
- D. 385,335 10/1997 Caroen et al. D23/230
- 3,014,667 12/1961 McLeon et al. .

1 Claim, 1 Drawing Sheet



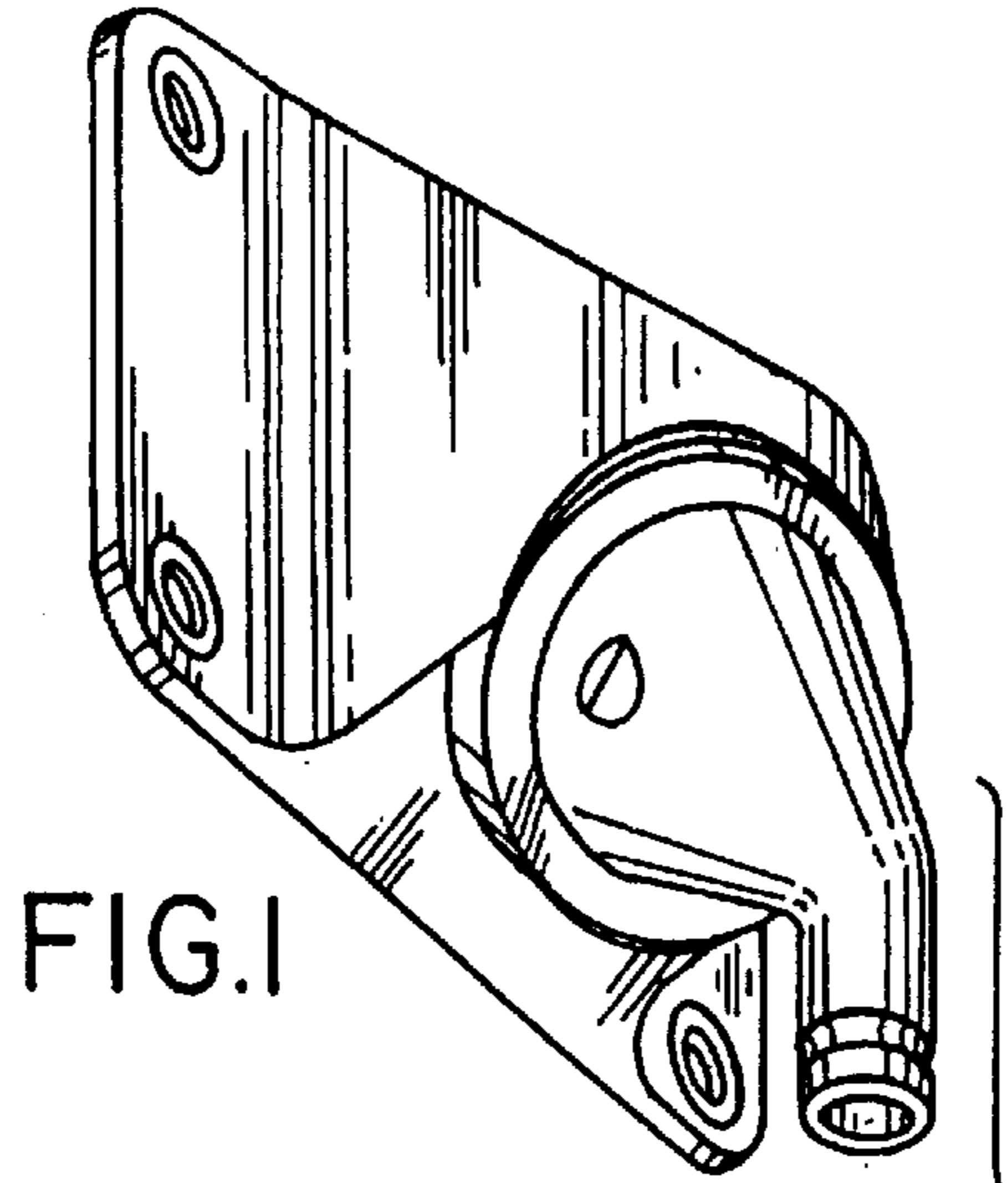


FIG.1

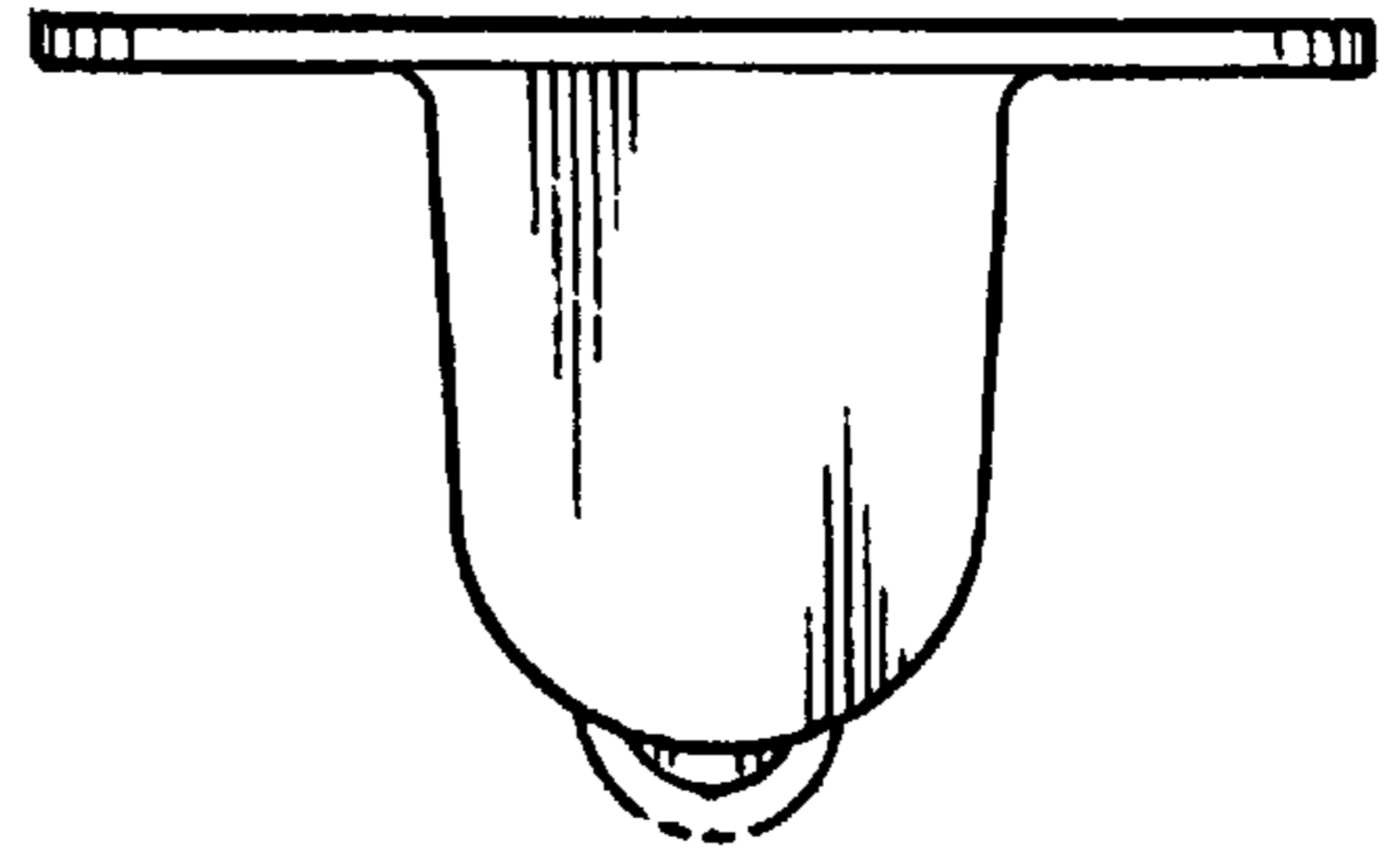


FIG.4

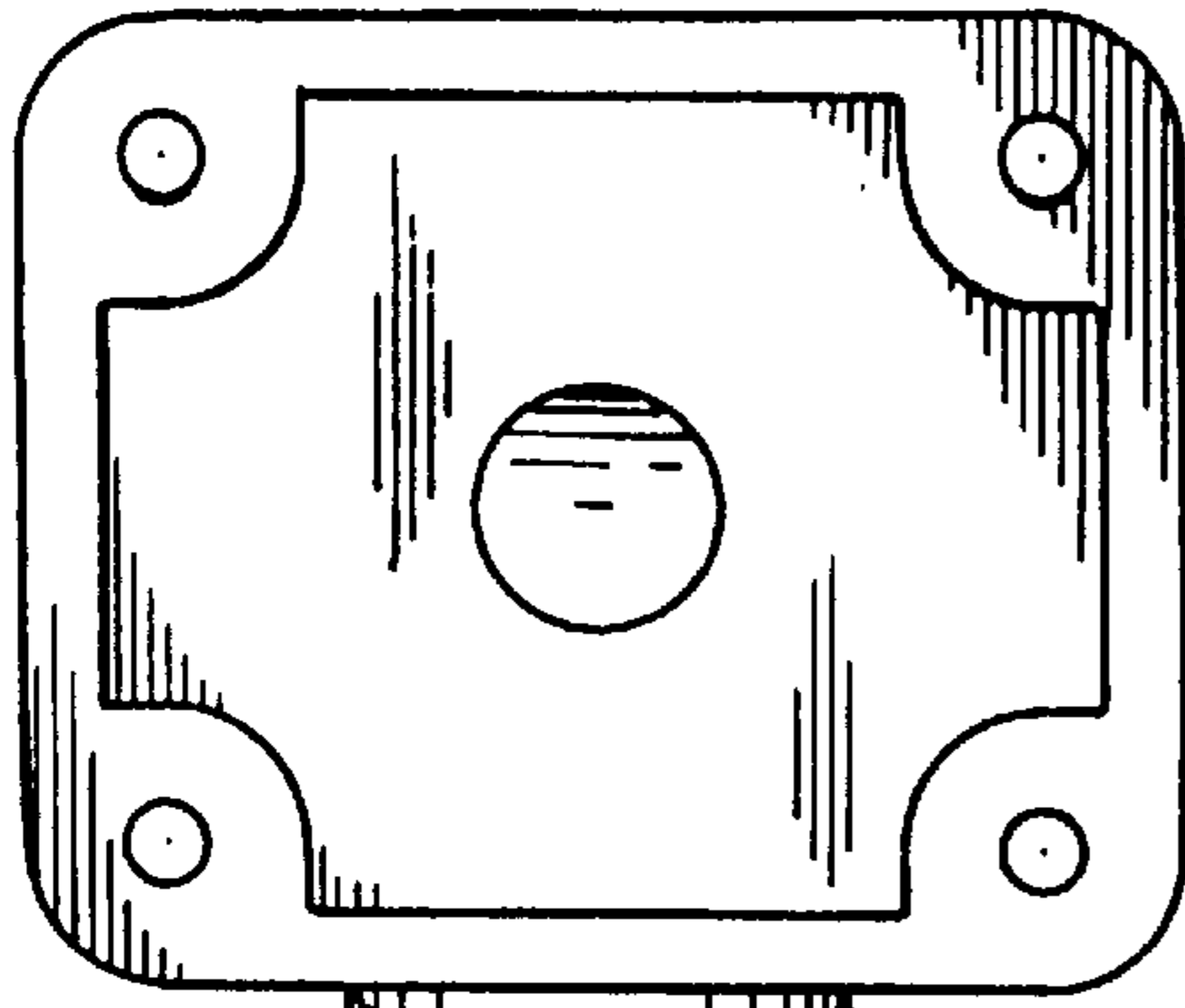


FIG.6

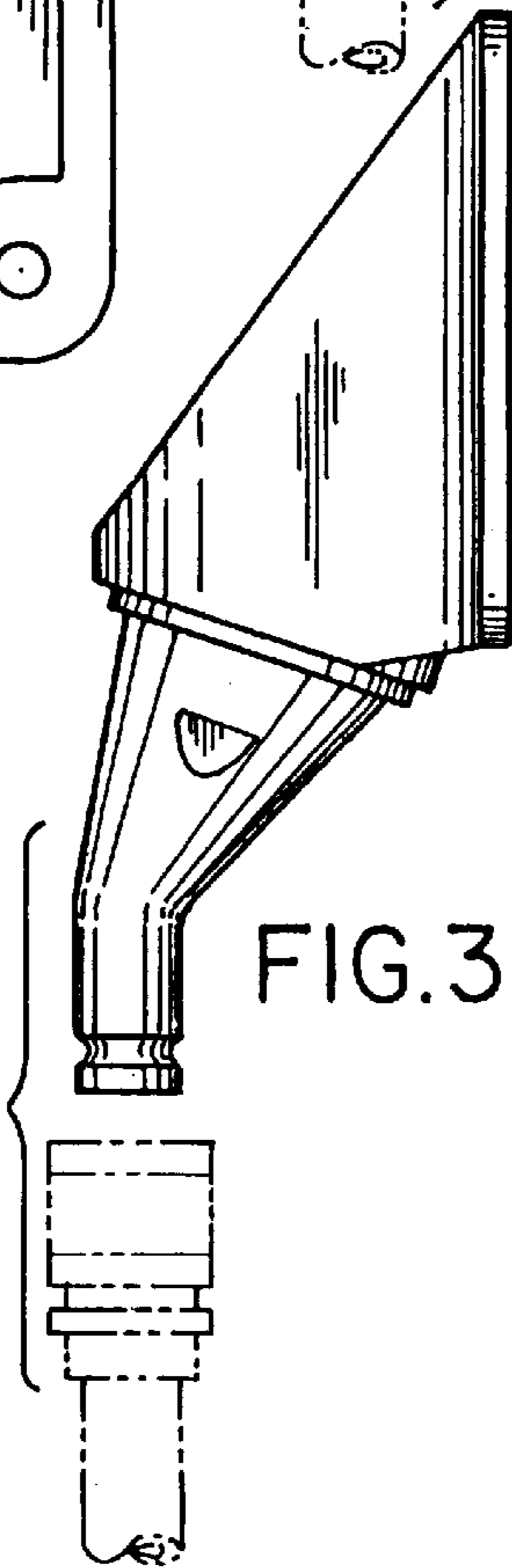


FIG.3

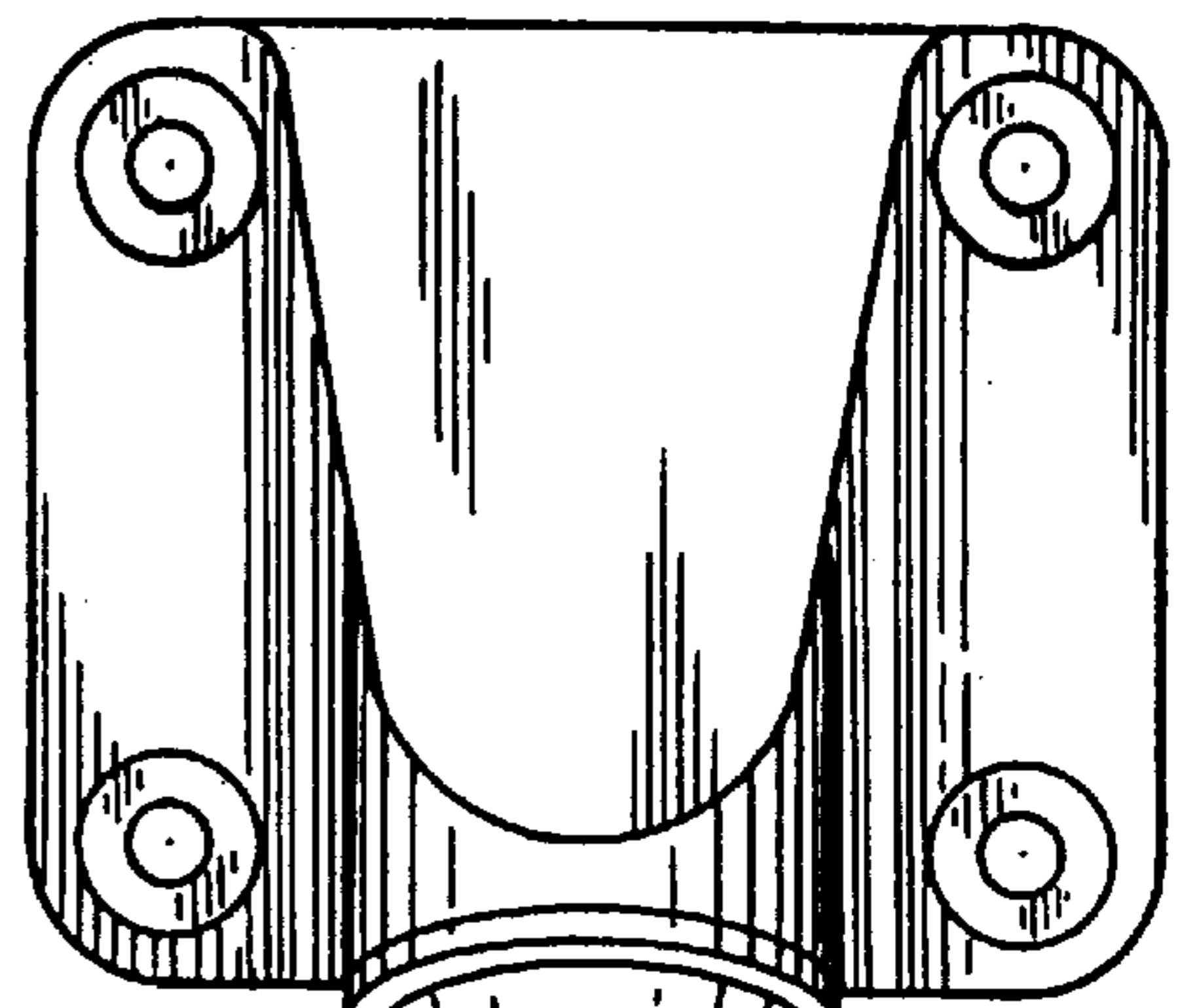


FIG.2

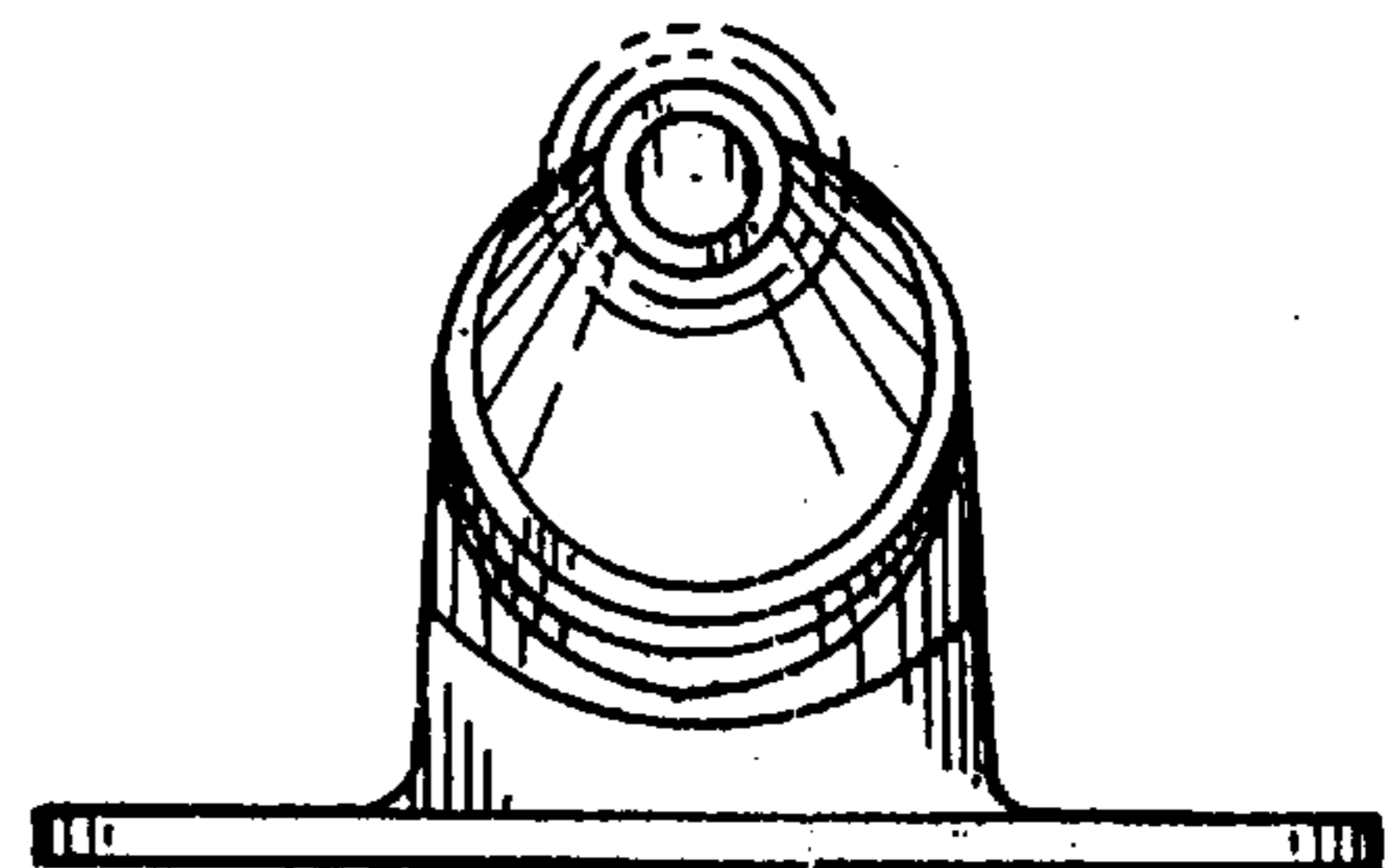


FIG.5