

US00D406326S

United States Patent [19]

Tani et al.

[11] **Patent Number: Des. 406,326**

[45] **Date of Patent: **Mar. 2, 1999**

[54] **WATER CLOSET**

[75] Inventors: **Minoru Tani; Hisayoshi Sakai**, both of Kitakyushu, Japan

[73] Assignee: **Toto Ltd.**, Japan

[**] Term: **14 Years**

[21] Appl. No.: **72,371**

[22] Filed: **Jun. 16, 1997**

[30] **Foreign Application Priority Data**

Dec. 17, 1996 [JP] Japan 8-38407

[51] **LOC (6) Cl.** **23-02**

[52] **U.S. Cl.** **D23/301**

[58] **Field of Search** D23/295, 298, D23/299, 300, 301; 4/353, 421, 424, 428, 430, 464, 300, DIG. 12

[56] **References Cited**

U.S. PATENT DOCUMENTS

D. 275,417	9/1984	Stairs, Jr.	D23/301
D. 296,817	7/1988	Holscher	D23/301
D. 323,557	1/1992	Boit	D23/301
D. 346,854	5/1994	Reid	D23/301
D. 379,496	5/1997	Kowsmurd et al.	D23/301

Primary Examiner—Louis S. Zarfes
Assistant Examiner—Eric Watterson
Attorney, Agent, or Firm—Finnegan, Henderson, Farabow, Garrett & Dunner, L.L.P.

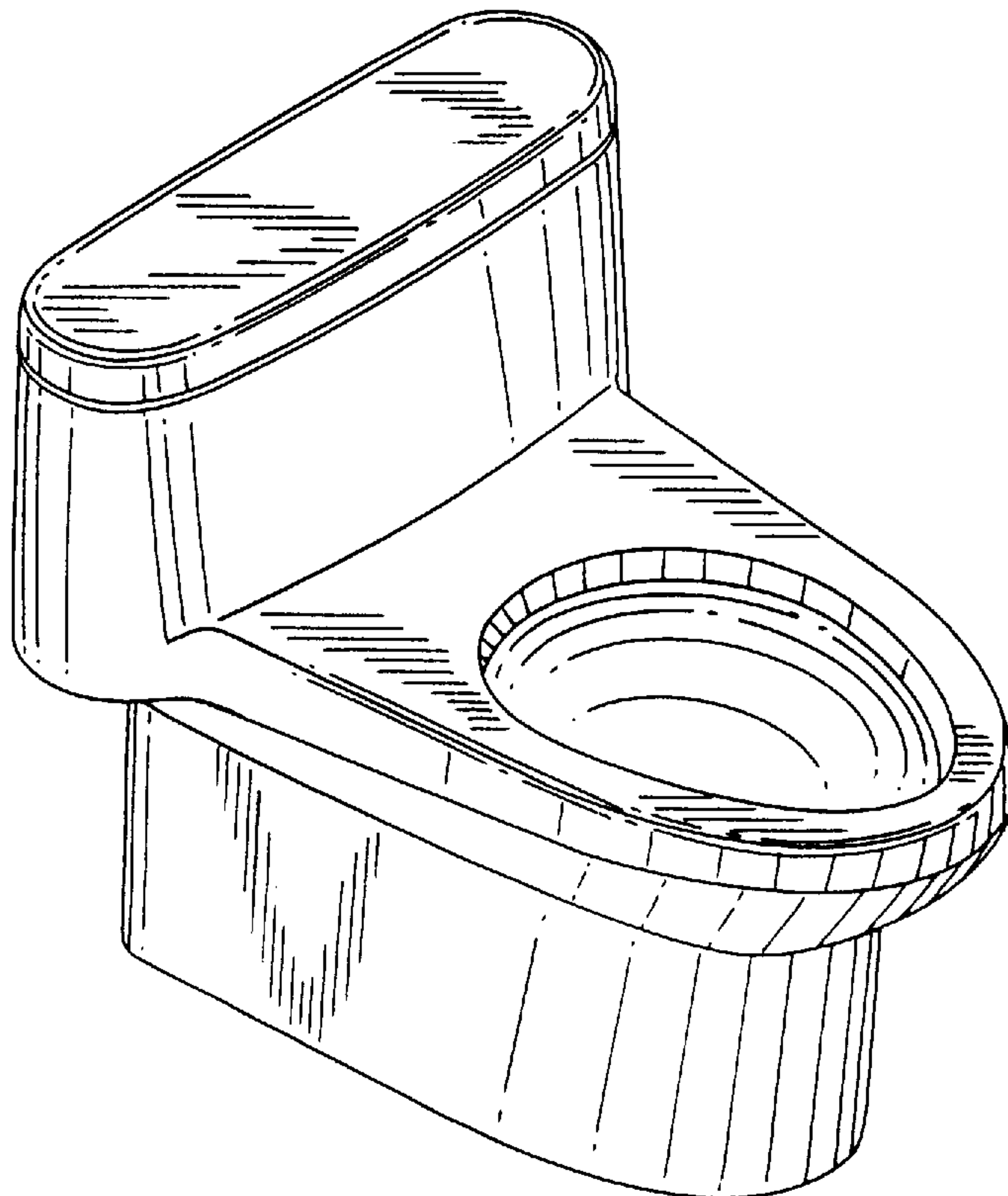
[57] **CLAIM**

The ornamental design for a water closet, as shown and described.

DESCRIPTION

FIG. 1 is a front view of the first embodiment of a water closet embodying our new design;
FIG. 2 is a top view thereof;
FIG. 3 is a left side view thereof, the right side being a mirror image of the left side;
FIG. 4 is a perspective view thereof;
FIG. 5 is a front view of the second embodiment of a water closet embodying our new design;
FIG. 6 is a top view thereof;
FIG. 7 is a left side view thereof, the right side being a mirror image of the left side;
FIG. 8 is a perspective view thereof;
FIG. 9 is a front view of the third embodiment of a water closet embodying our design;
FIG. 10 is a top view thereof;
FIG. 11 is a left side view thereof, the right side being a mirror image of the left side; and,
FIG. 12 is a perspective view thereof.

1 Claim, 6 Drawing Sheets



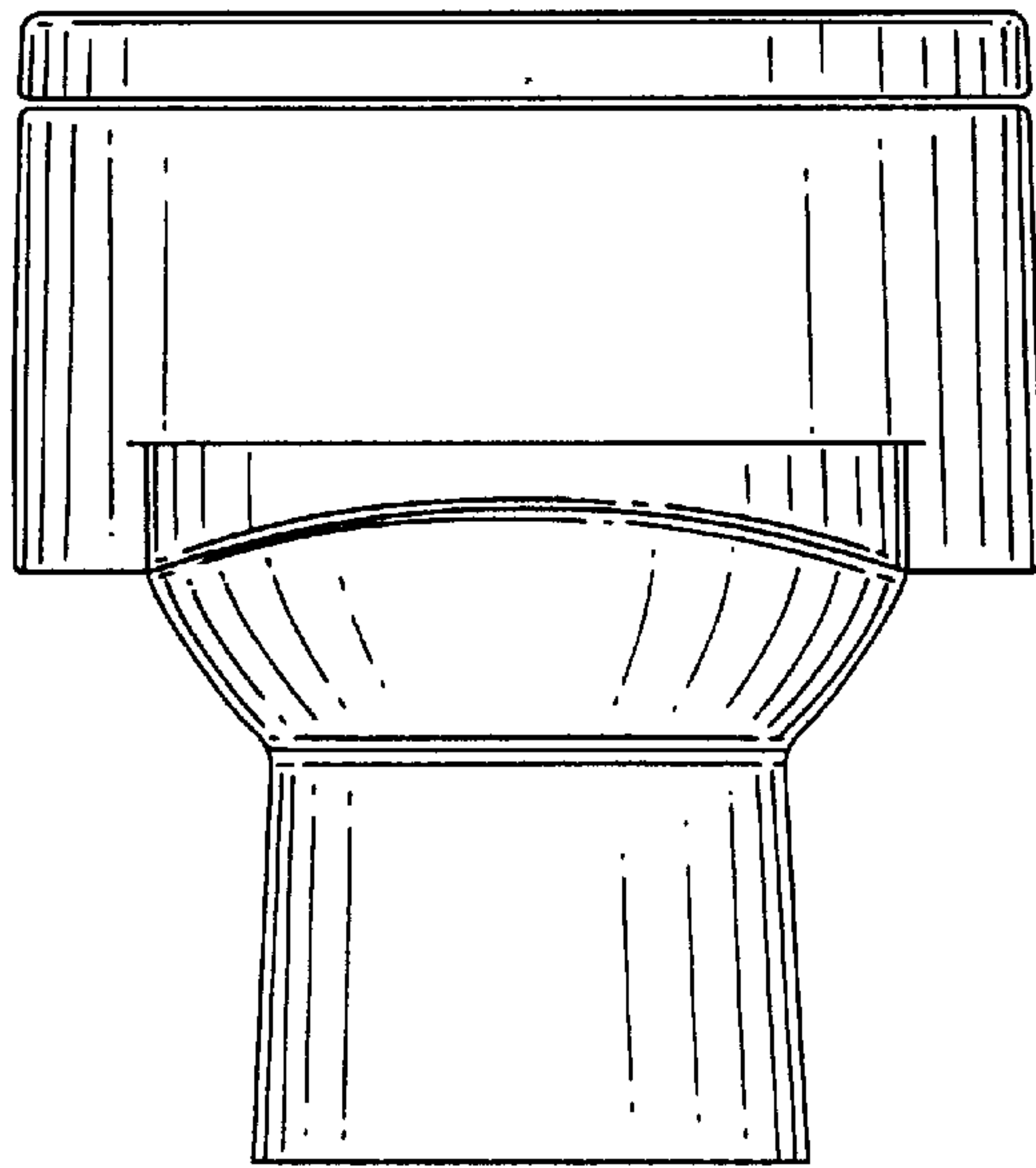


FIG. 1

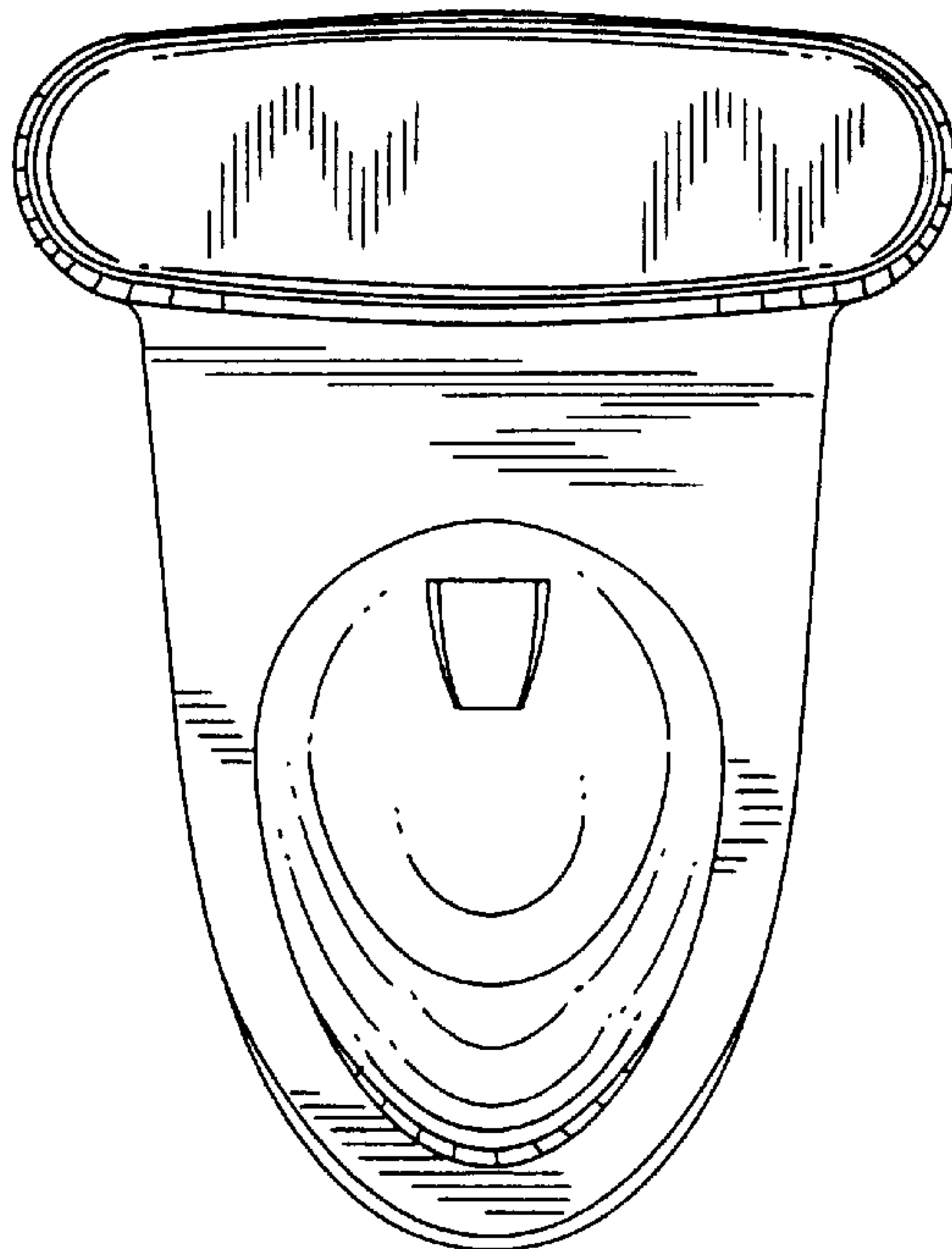


FIG. 2

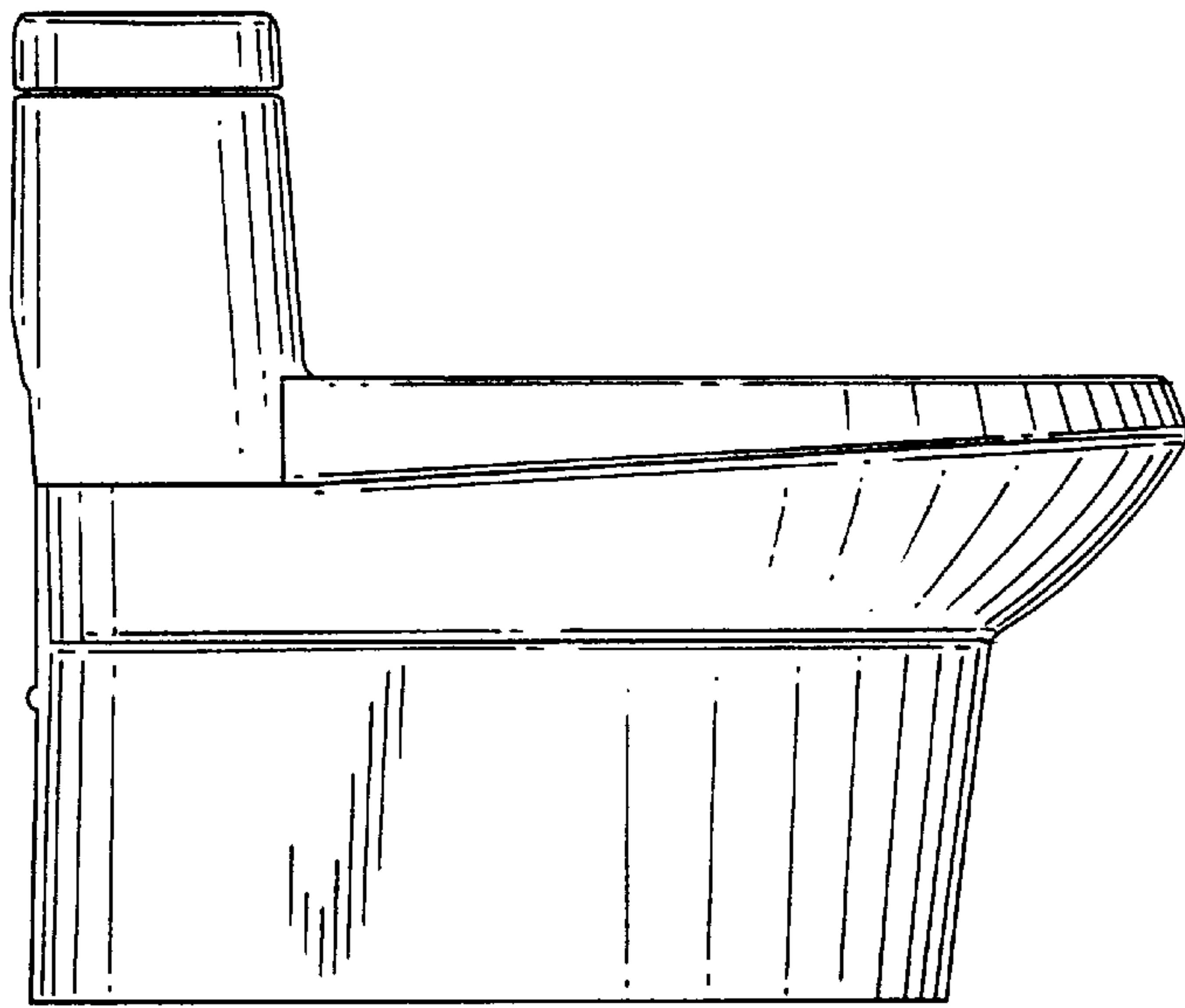


FIG. 3

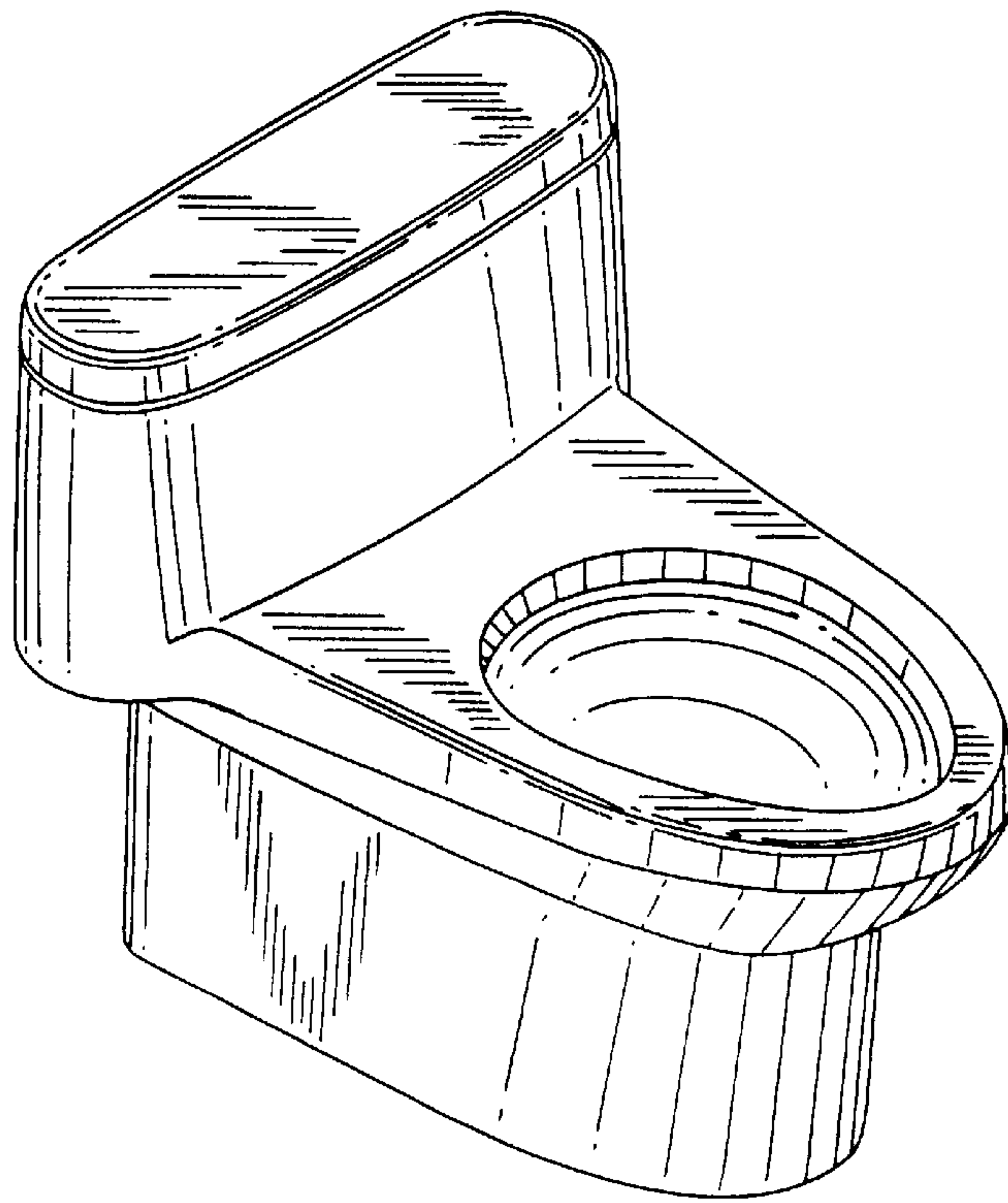


FIG. 4

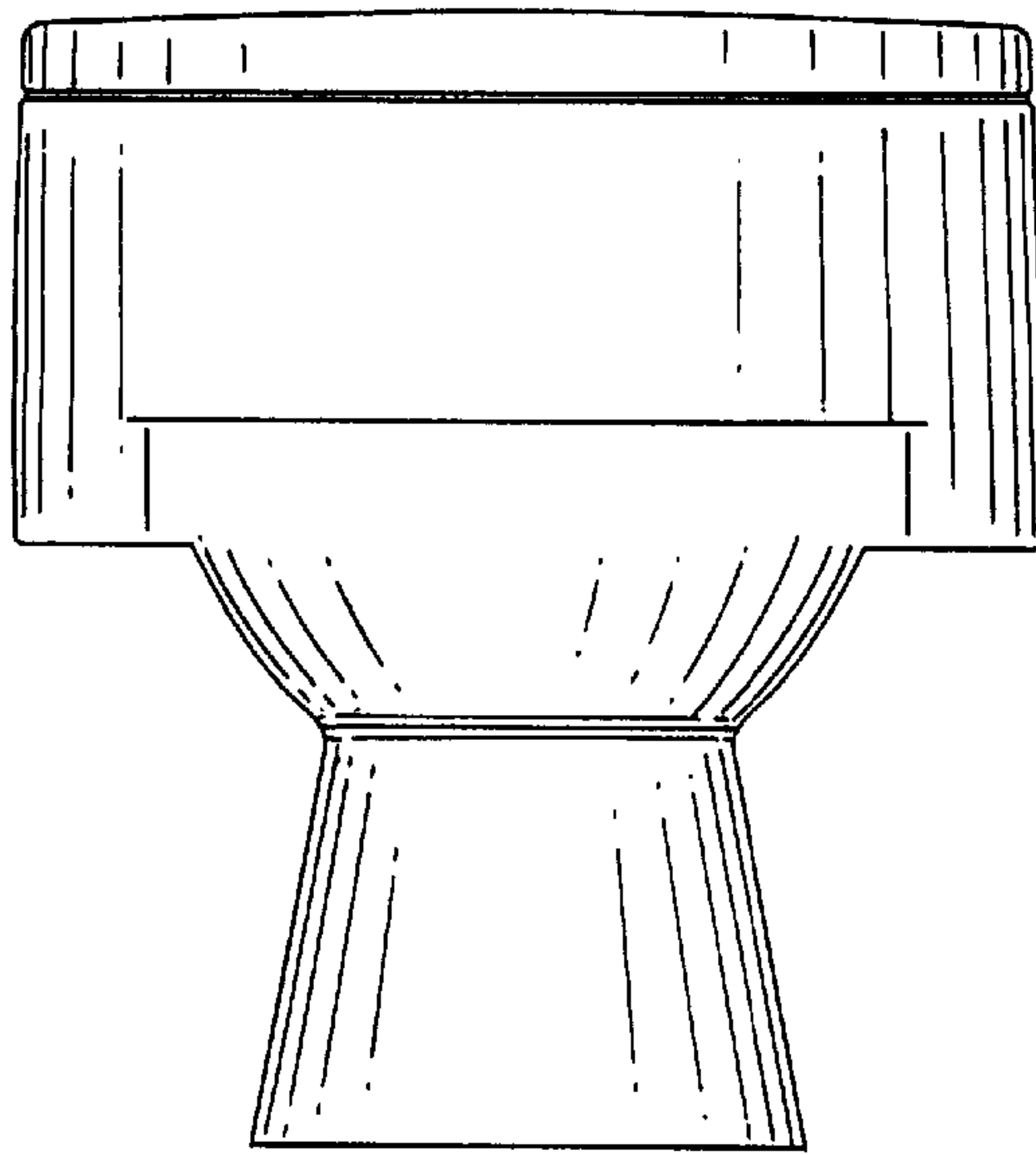


FIG. 5

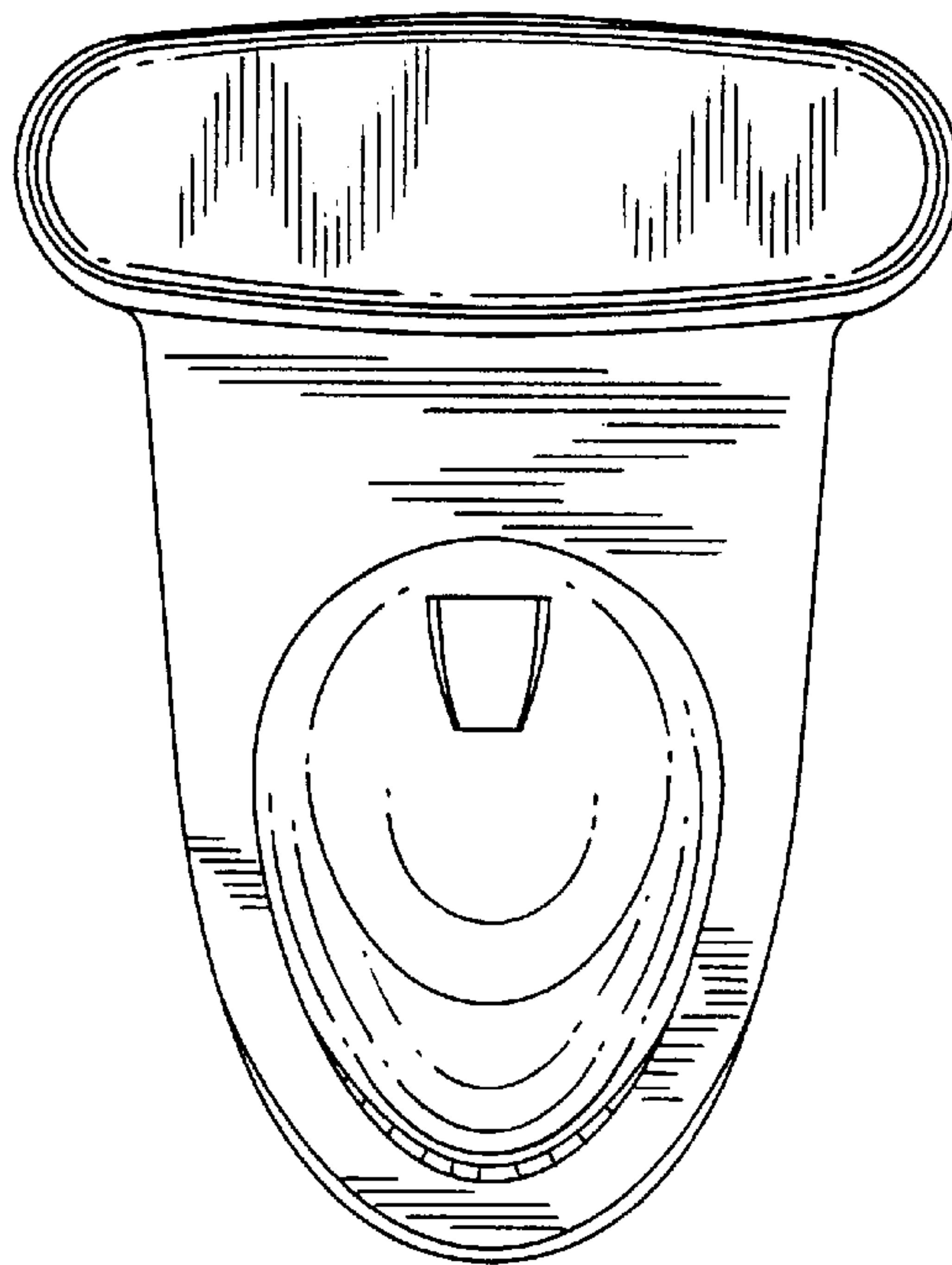


FIG. 6

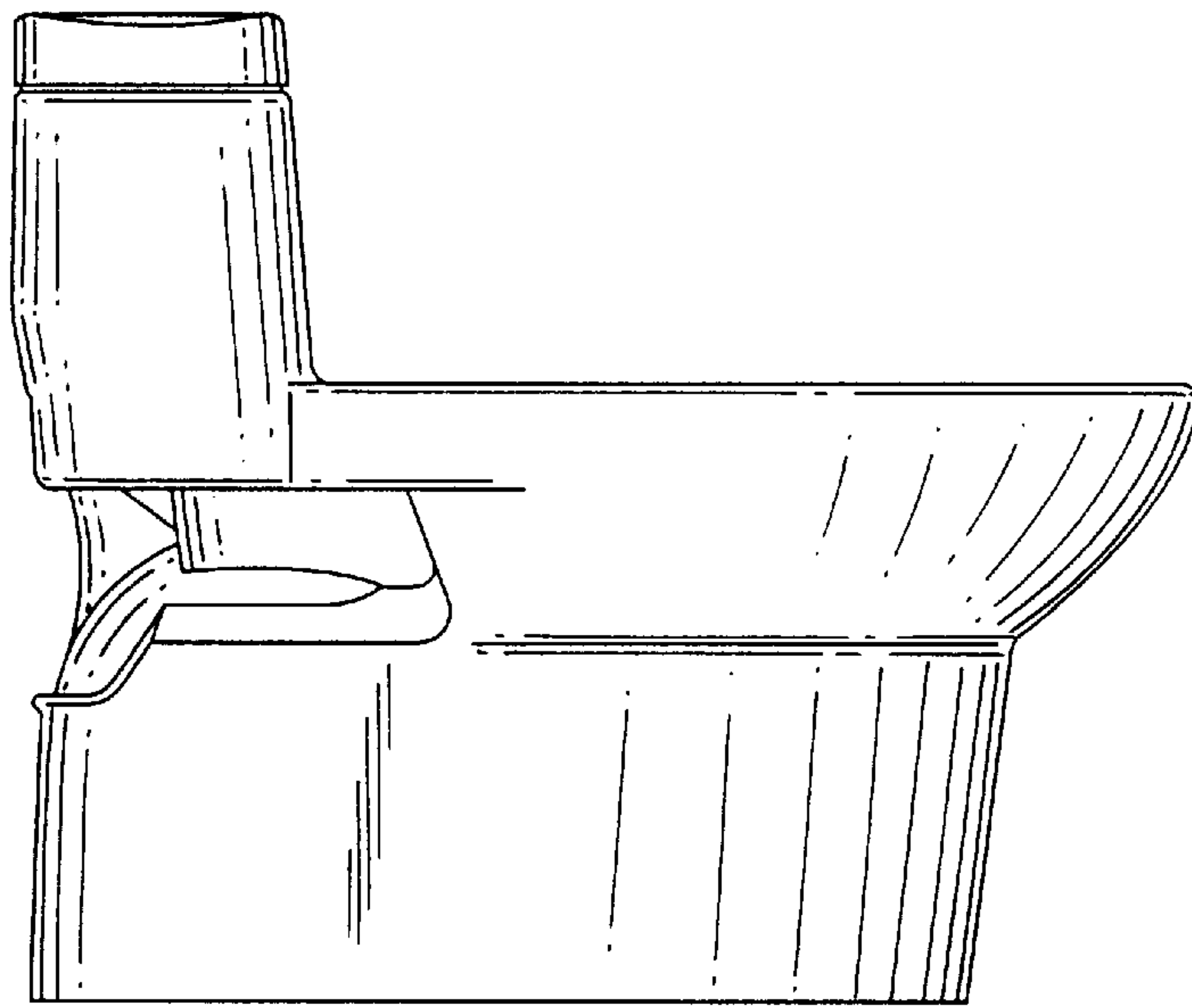


FIG. 7

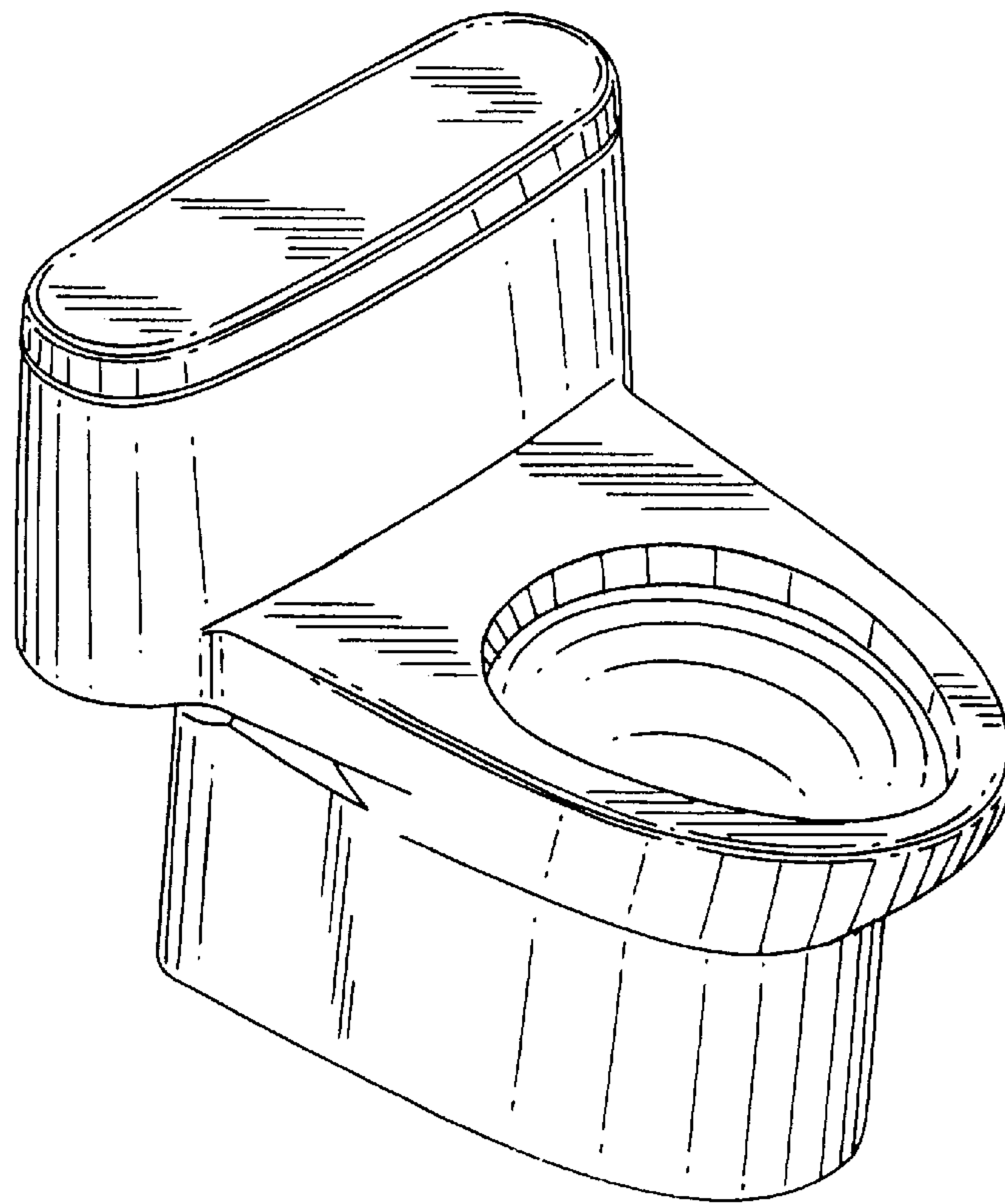


FIG. 8

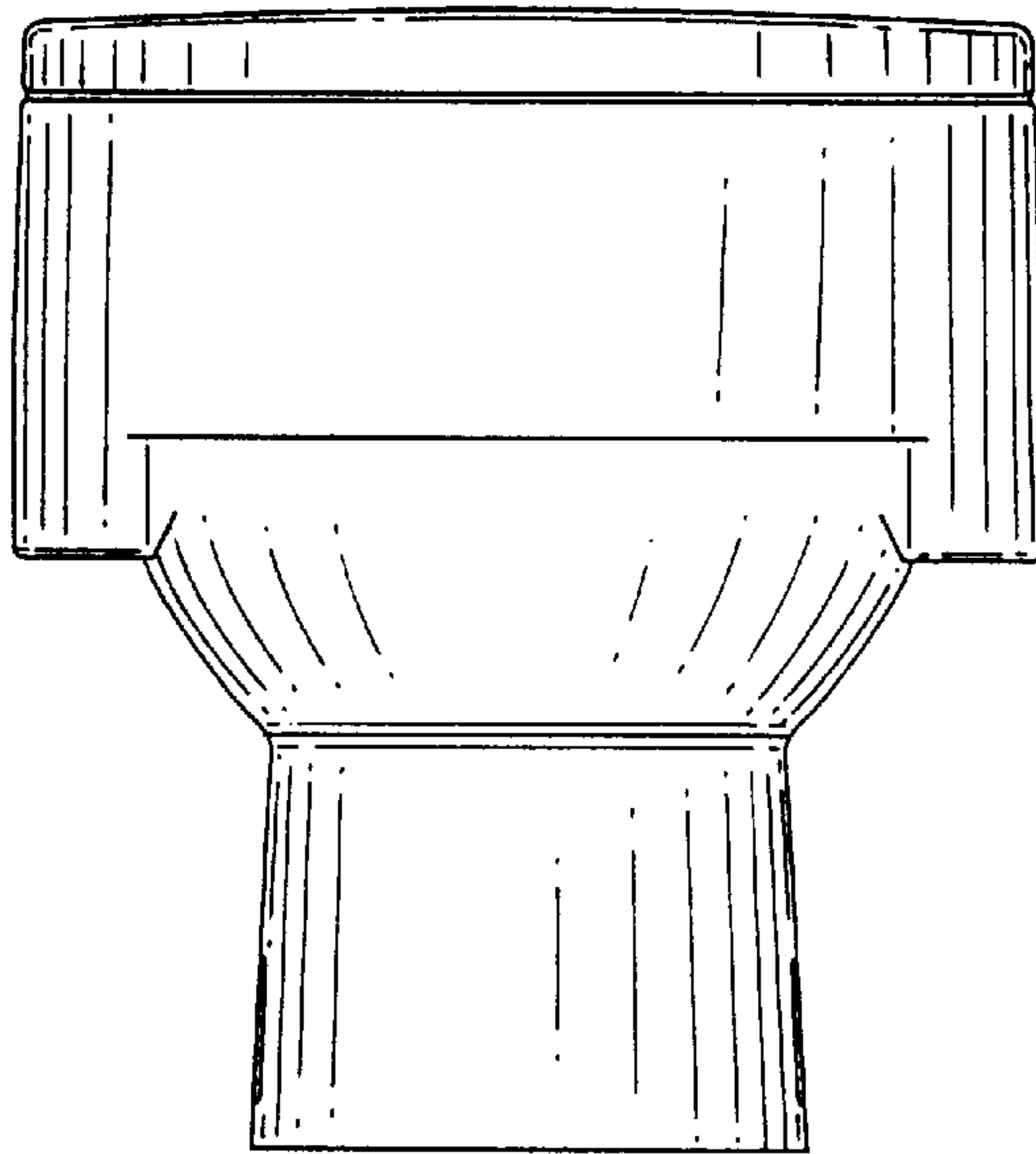


FIG. 9

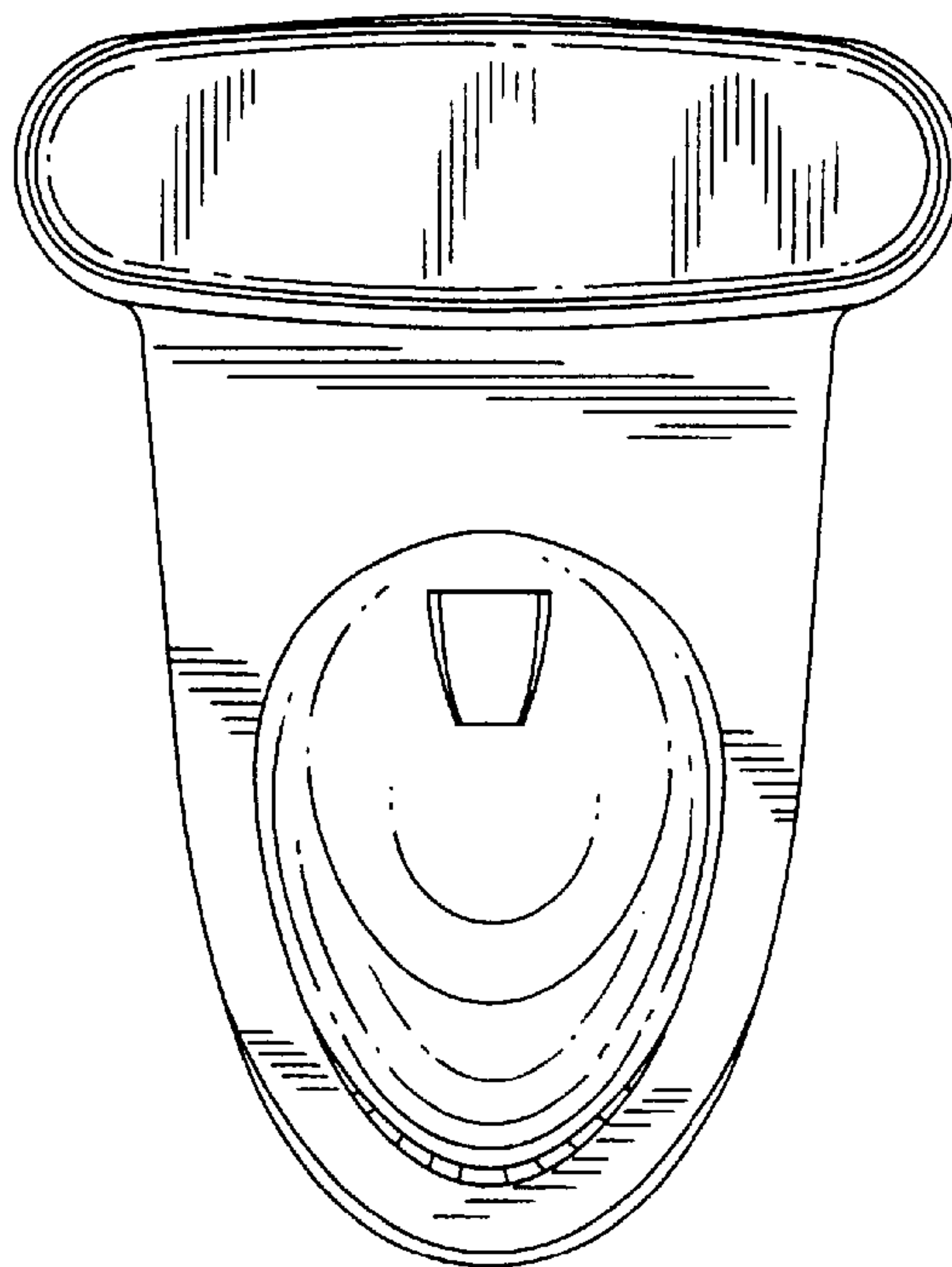


FIG. 10

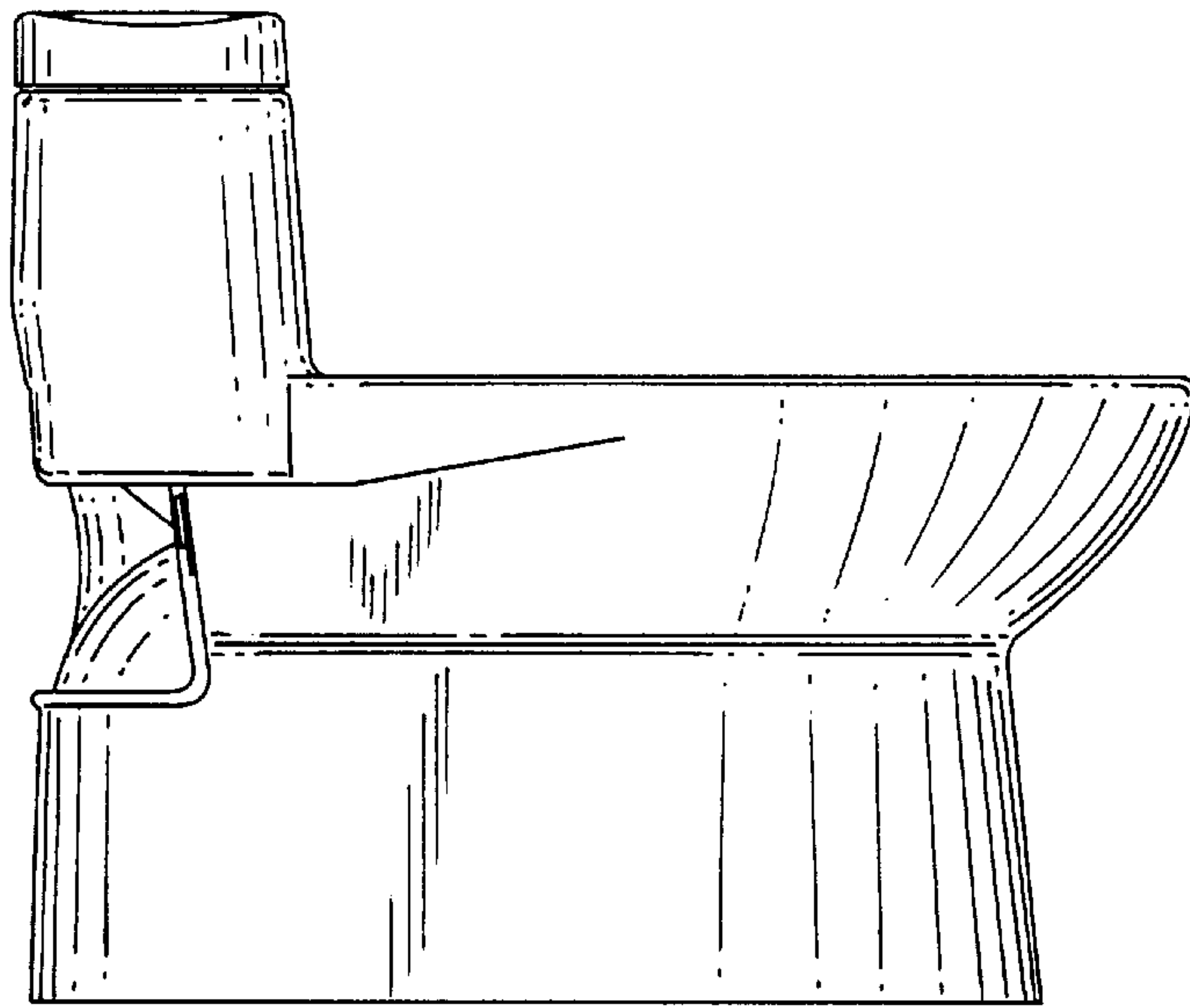


FIG. 11

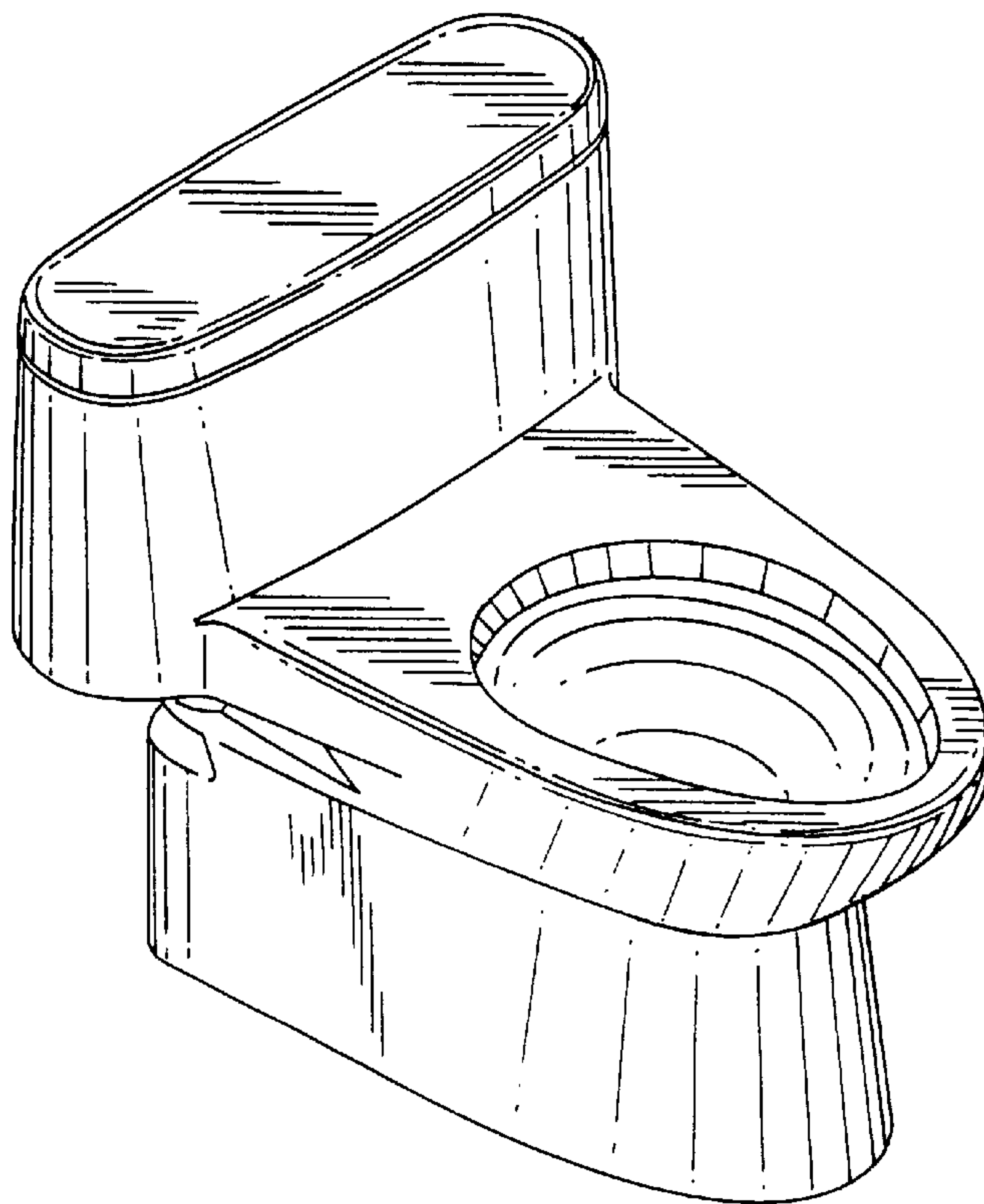


FIG. 12