



US00D406320S

# United States Patent [19]

Lynch et al.

[11] Patent Number: **Des. 406,320**

[45] Date of Patent: **\*\*Mar. 2, 1999**

[54] **MANIFOLD**

[75] Inventors: **Jeffrey T. Lynch**, Sugar Land; **Chris M. Yohner**; **Michael J. Matusek**, both of Houston, all of Tex.

[73] Assignee: **Tyco Flow Control, Inc.**, Houston, Tex.

[\*\*] Term: **14 Years**

[21] Appl. No.: **78,943**

[22] Filed: **Oct. 29, 1997**

[51] **LOC (6) Cl.** ..... **23-01**

[52] **U.S. Cl.** ..... **D23/245**

[58] **Field of Search** ..... D15/1-5; D23/245, D23/247, 233; 137/597; D8/549, 554

[56] **References Cited**

**U.S. PATENT DOCUMENTS**

D. 197,755	3/1964	Myers	.....	D23/247
D. 222,598	11/1971	Weiland	.....	D15/5
D. 297,256	8/1988	Schwarz	.....	D23/233
D. 321,888	11/1991	Brotherton	.....	D15/5
3,596,680	8/1971	Adams	.....	137/597 X
4,596,426	6/1986	Clap	.....	137/597 X
4,602,657	7/1986	Anderson, Jr. et al.	.....	

5,036,884	8/1991	Miller et al.	..
5,117,867	6/1992	Adams	.
5,277,224	1/1994	Hutton et al.	..

**OTHER PUBLICATIONS**

Publication showing a manifold. Astava B.V., Meppel, Holland, 1992.

*Primary Examiner*—Ralf Seifert  
*Attorney, Agent, or Firm*—Browning Bushman

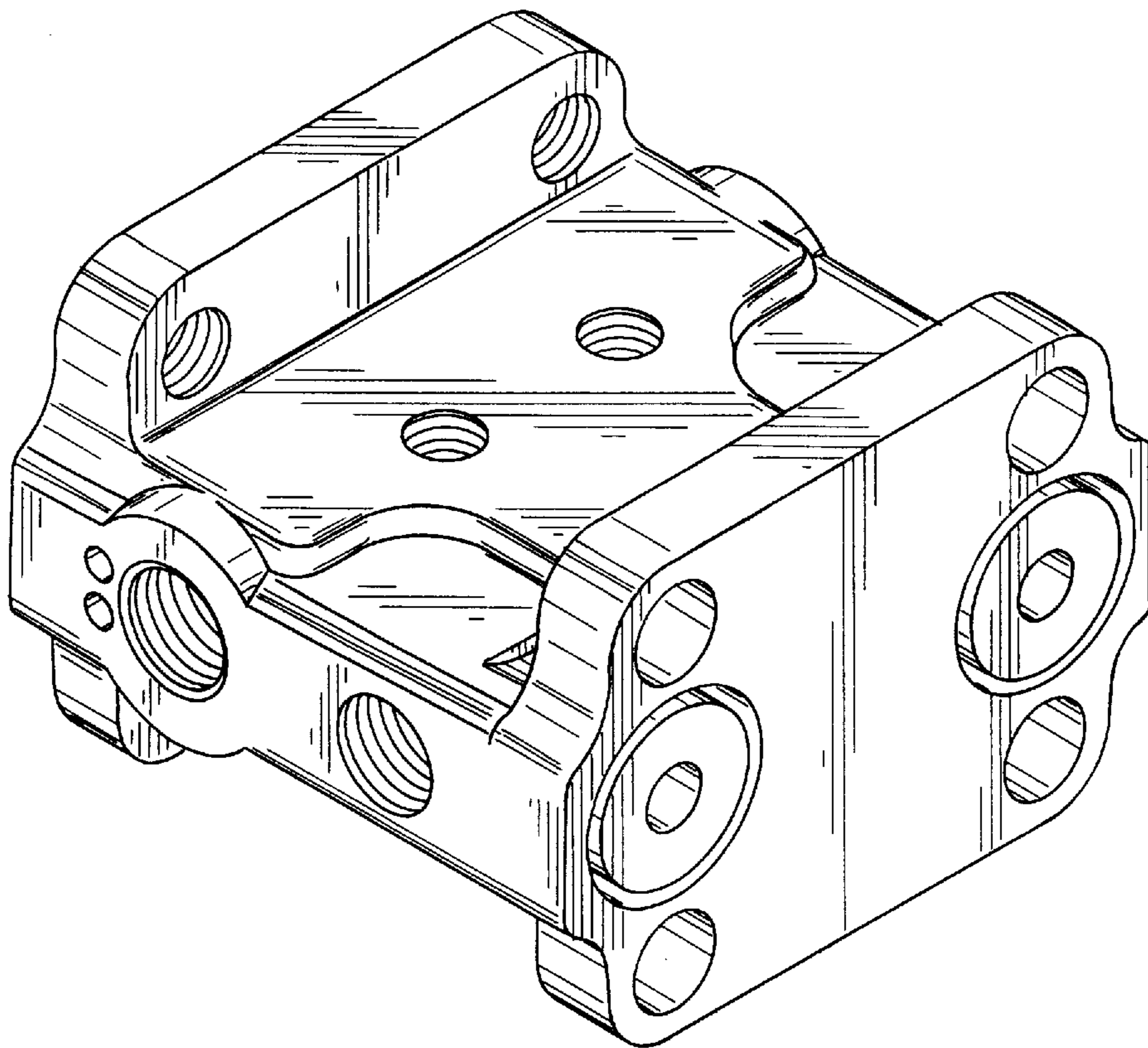
[57] **CLAIM**

The ornamental design for a manifold, as shown and described.

**DESCRIPTION**

FIG. 1 is a perspective view of the front, bottom, and one side of a manifold showing our new design; FIG. 2 is a perspective view of the back, top, and opposite side thereof; FIG. 3 is a front, elevational view thereof; FIG. 4 is a rear, elevational view thereof; FIG. 5 is a top, plan view thereof; FIG. 6 is a bottom, plan view thereof; and, FIG. 7 is an elevational view of one side thereof, the other side view being identical.

**1 Claim, 3 Drawing Sheets**



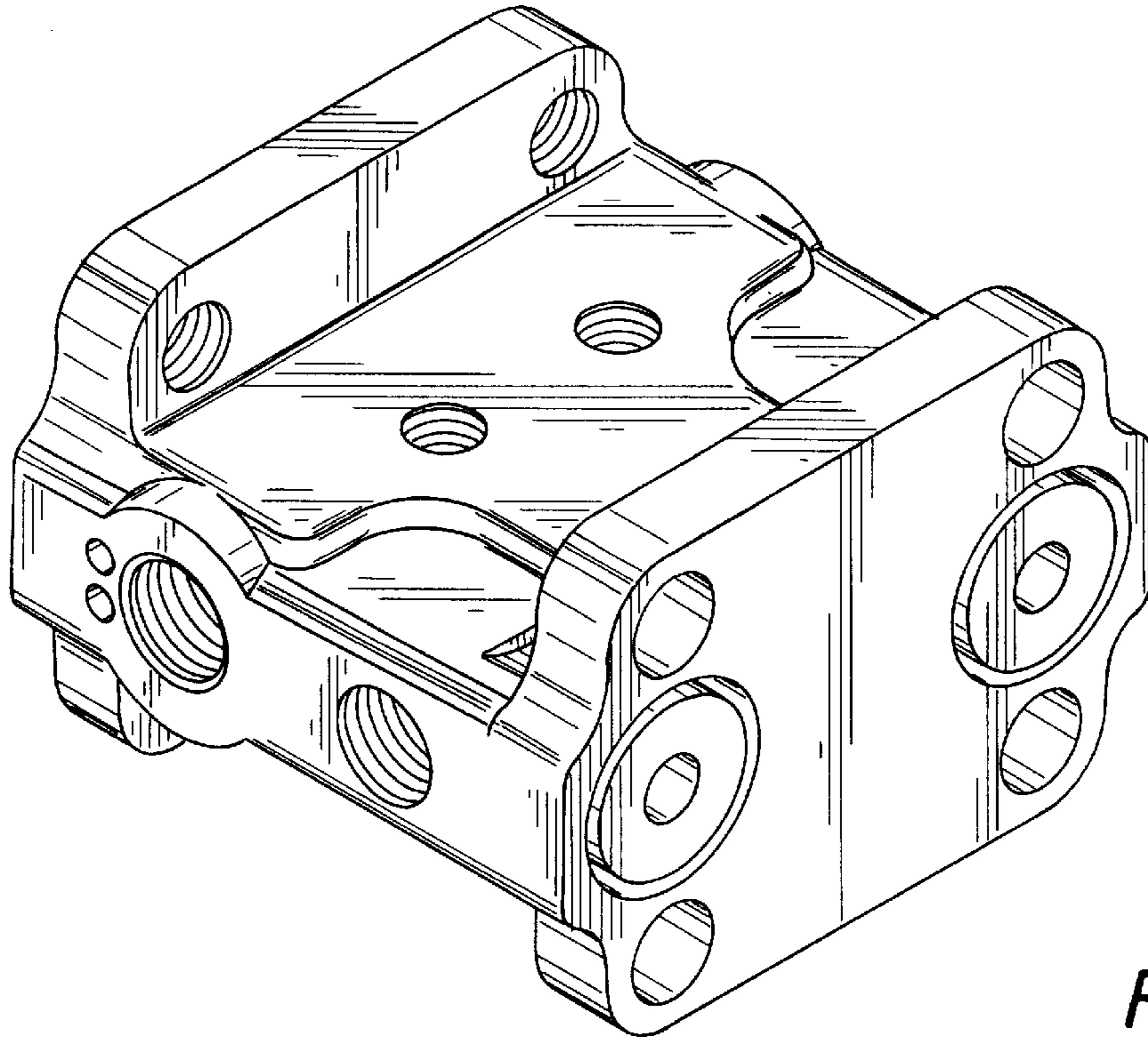


FIG. 1

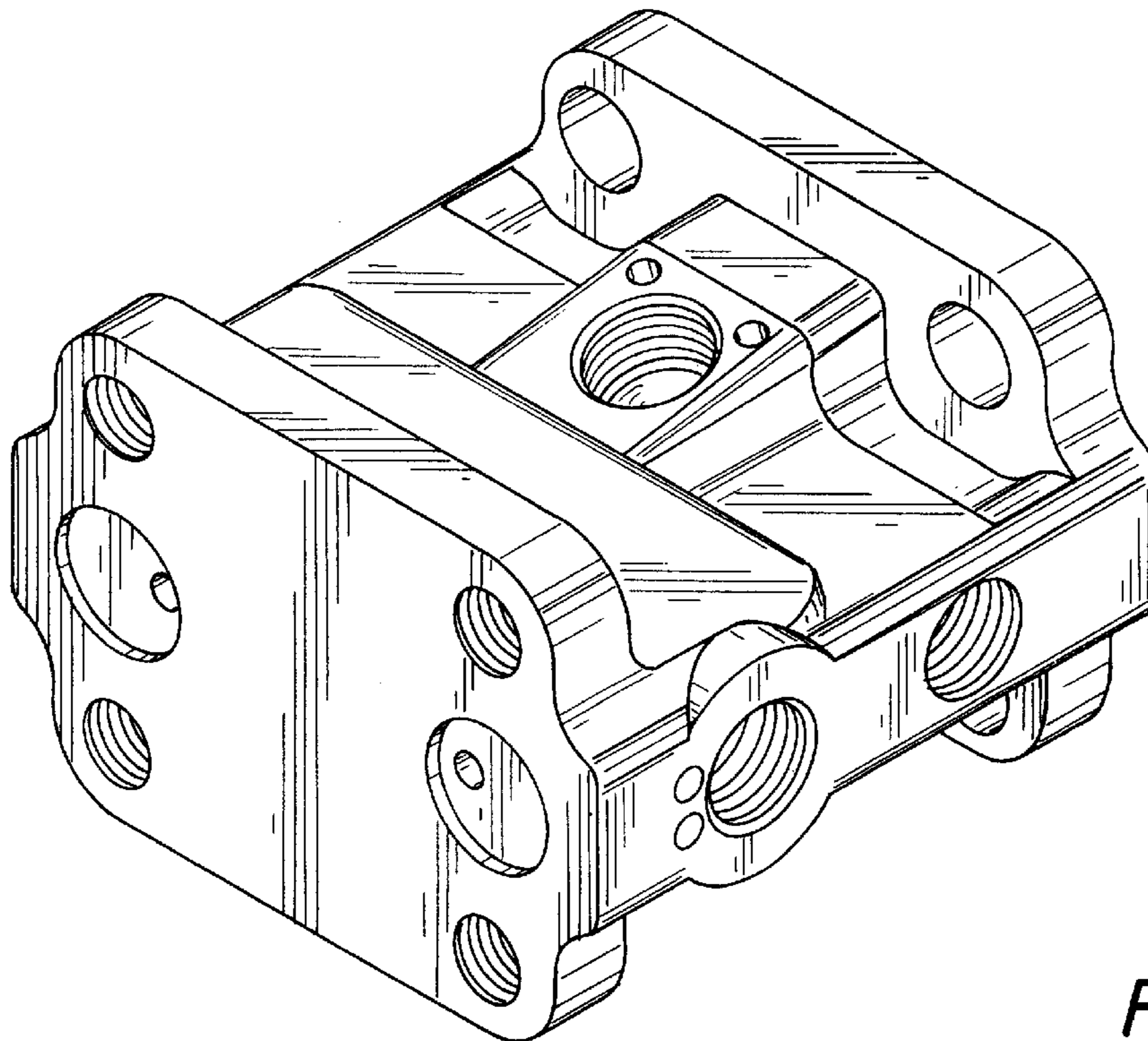
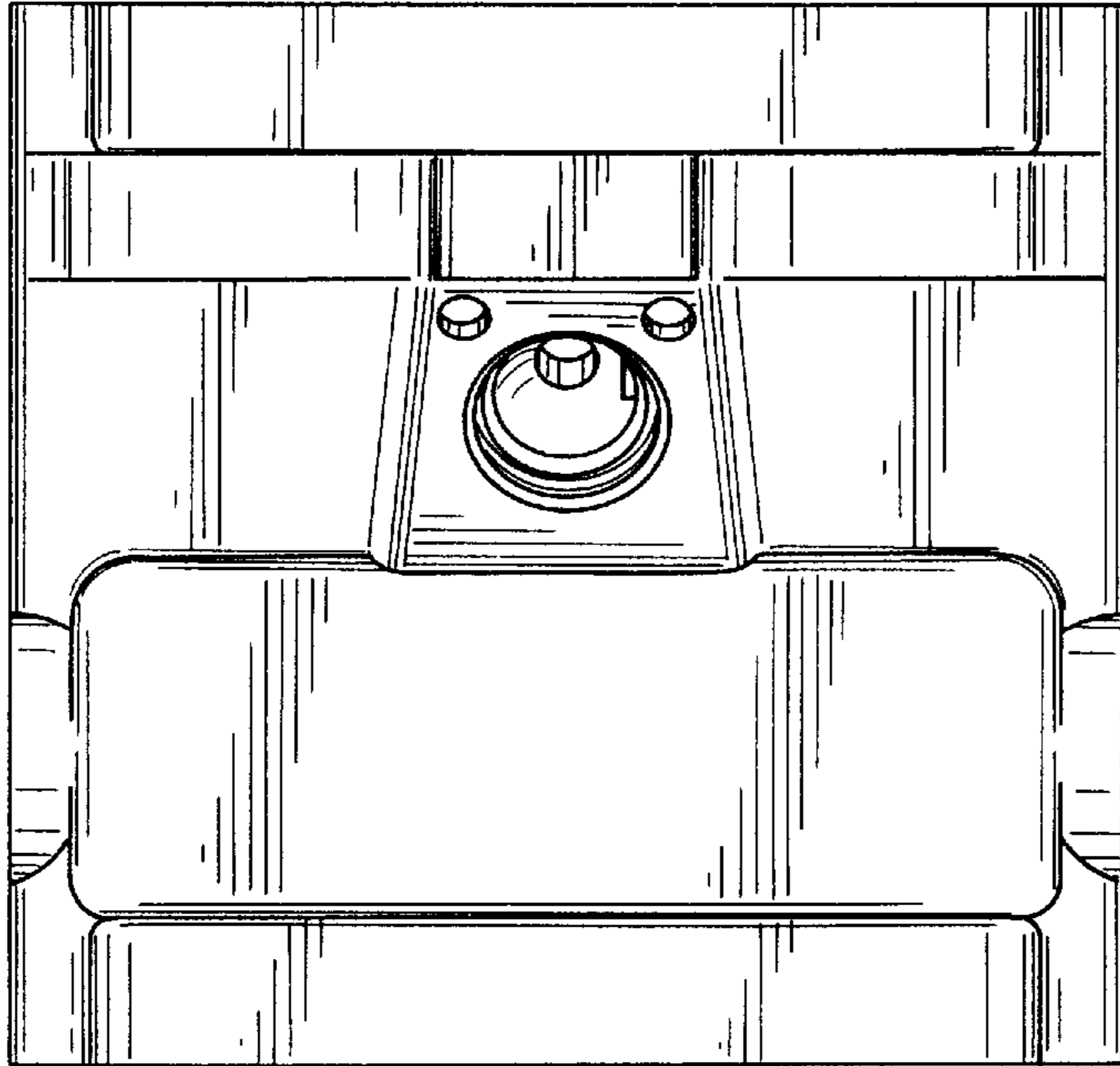
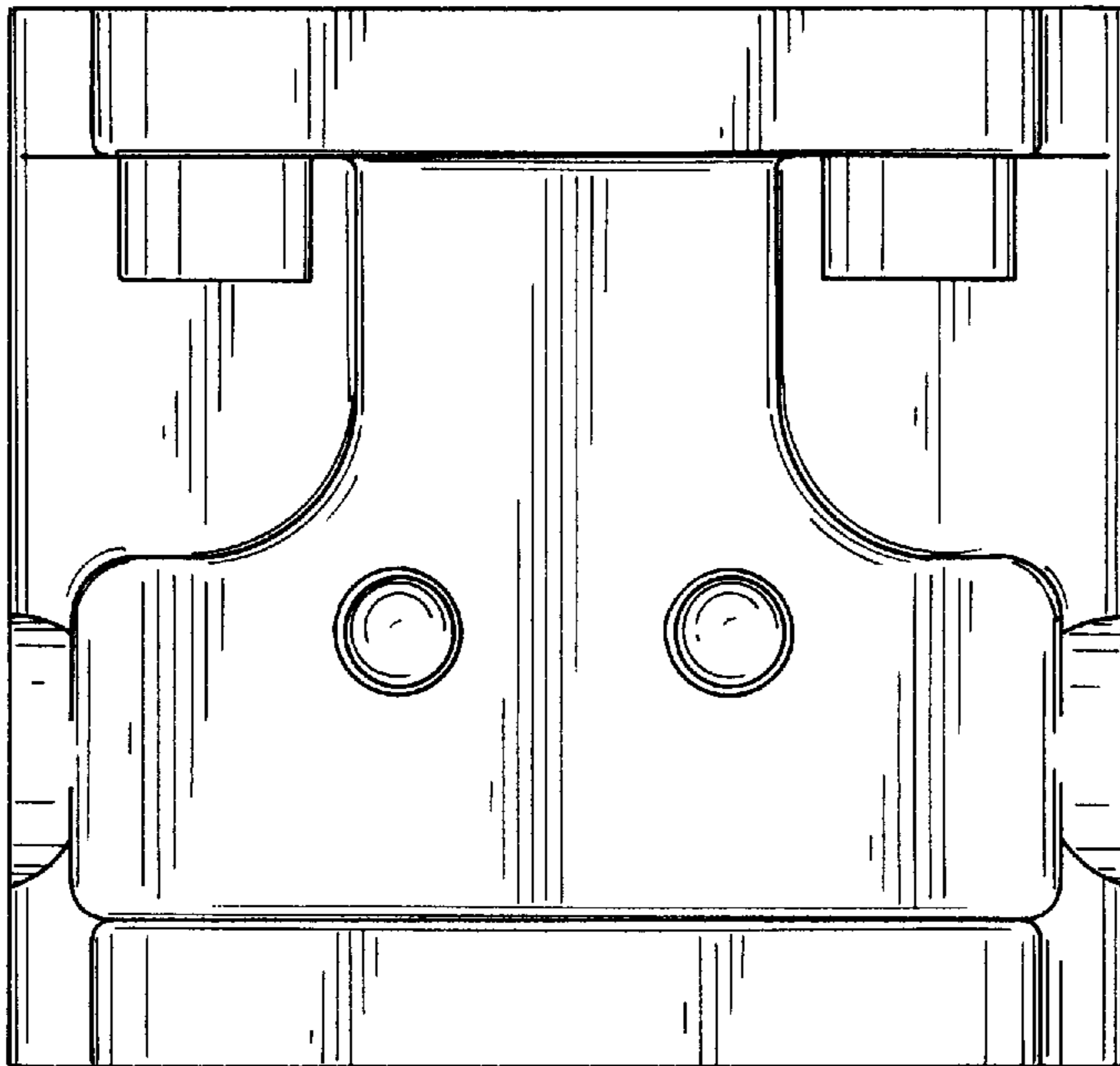


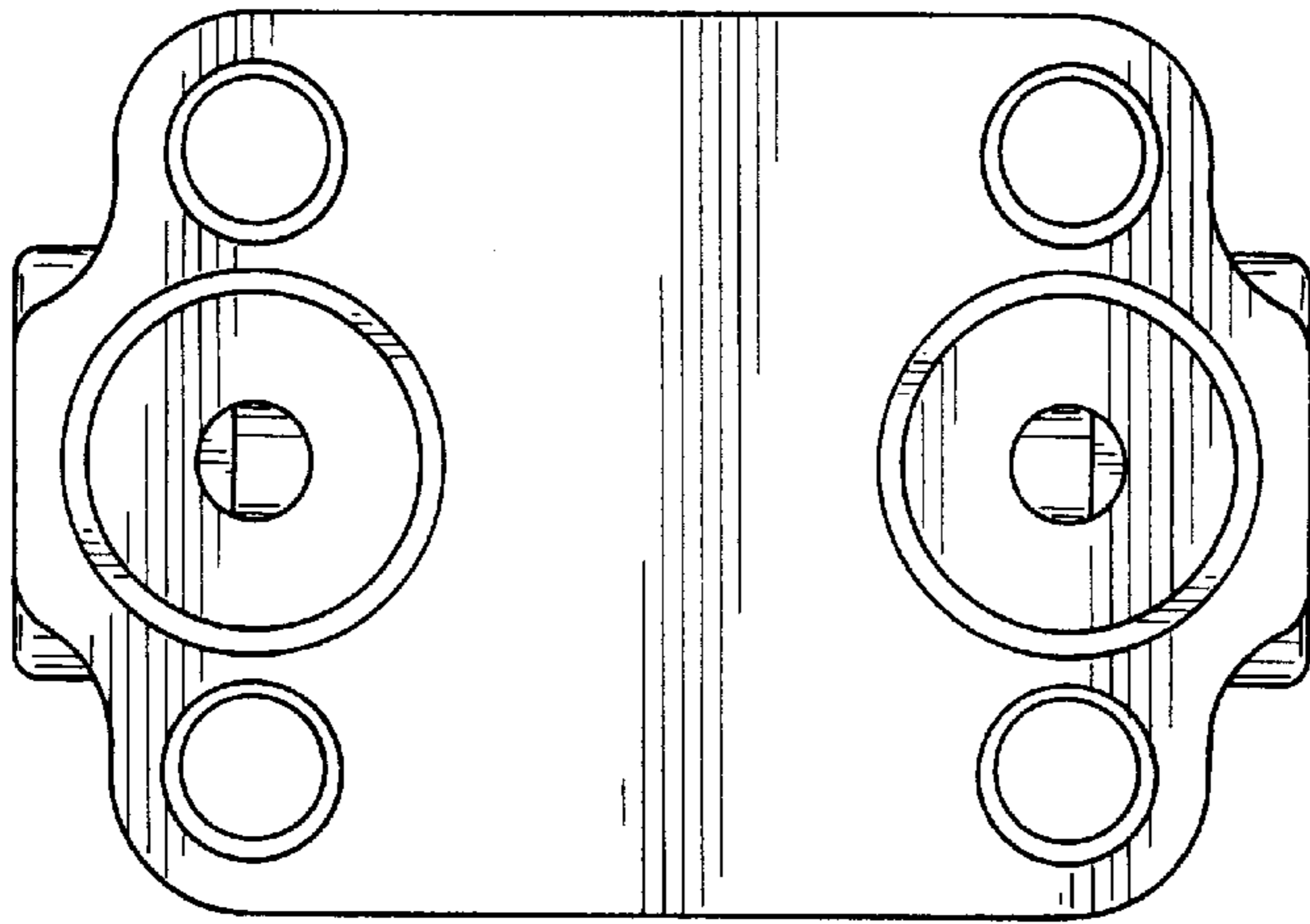
FIG. 2



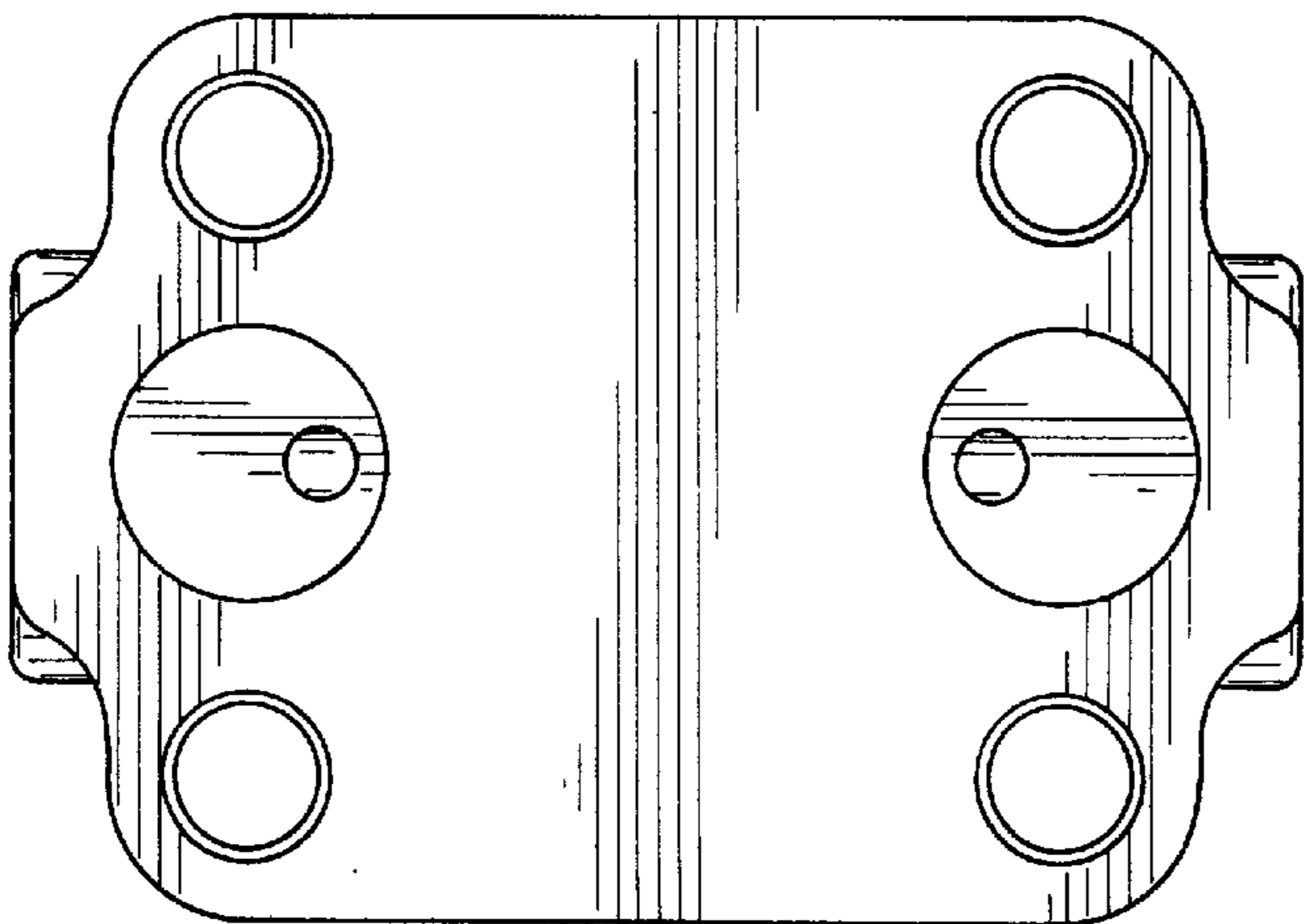
*FIG. 3*



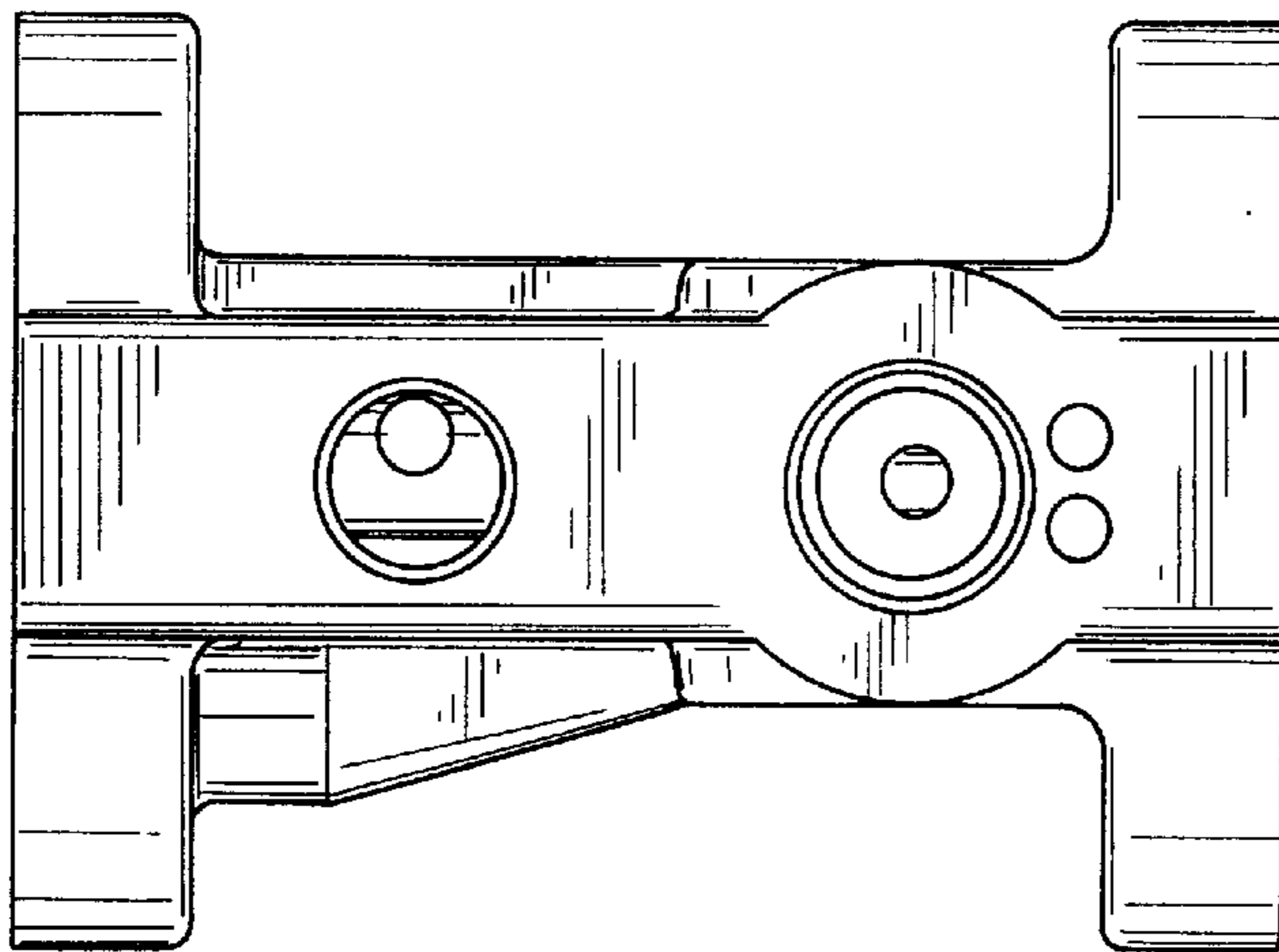
*FIG. 4*



*FIG. 5*



*FIG. 6*



*FIG. 7*