



US00D406319S

# United States Patent [19] Lord

[11] Patent Number: Des. 406,319

[45] Date of Patent: \*\*Mar. 2, 1999

[54] SINGLE HANDLE FAUCET

[75] Inventor: Judd A. Lord, Carmel, Ind.

[73] Assignee: Masco Corporation of Indiana,  
Indianapolis, Ind.

[\*\*] Term: 14 Years

[21] Appl. No.: 81,015

[22] Filed: Dec. 22, 1997

[51] LOC (6) Cl. .... 23-01

[52] U.S. Cl. .... D23/243

[58] Field of Search ..... D23/238-243,  
D23/250-257; 4/675-678; 137/801

[56] References Cited

U.S. PATENT DOCUMENTS

- D. 140,557 12/1945 Stanitz .
- D. 193,885 10/1962 Andrews .
- D. 197,000 11/1963 Landell .
- D. 203,246 12/1965 Harvey et al. .
- D. 213,874 4/1969 Landell .
- D. 219,779 1/1971 Tiller .
- D. 253,799 1/1980 Saporito et al. .
- D. 297,357 8/1988 Spangler .
- D. 297,358 8/1988 Hill .
- D. 363,534 10/1995 Hill et al. .
- D. 363,535 10/1995 Hill et al. .
- D. 364,211 11/1995 Hill et al. .
- D. 364,212 11/1995 Hill et al. .
- D. 365,142 12/1995 Hill et al. .
- D. 367,697 3/1996 Haug et al. .
- D. 367,698 3/1996 Haug et al. .
- D. 367,917 3/1996 Haug et al. .
- D. 367,918 3/1996 Haug et al. .
- D. 368,956 4/1996 Haug et al. .
- 3,035,612 5/1962 Lyon .
- 3,202,181 8/1965 West .
- 4,804,010 2/1989 Meissenburg .

OTHER PUBLICATIONS

Sweet's Catalog File (1980).  
Kohler pp. 3-36.  
Delta Full Line Catalog—The Way Water is Brought to Life (1992).  
Delta Full Line Price List.  
Euroexclusive: Euromodular (1987).  
Delta HDF Catalog (Commercial Products) (1987).  
Best.  
Moen—Enduring Elegance.  
Delta Full Line Catalog—Living with Classics.  
Moen—Fifty Years of Faucet Innovation.

Primary Examiner—Louis S. Zarfes  
Assistant Examiner—Eric Watterson  
Attorney, Agent, or Firm—Myron B. Kapustij; Leon E. Redman

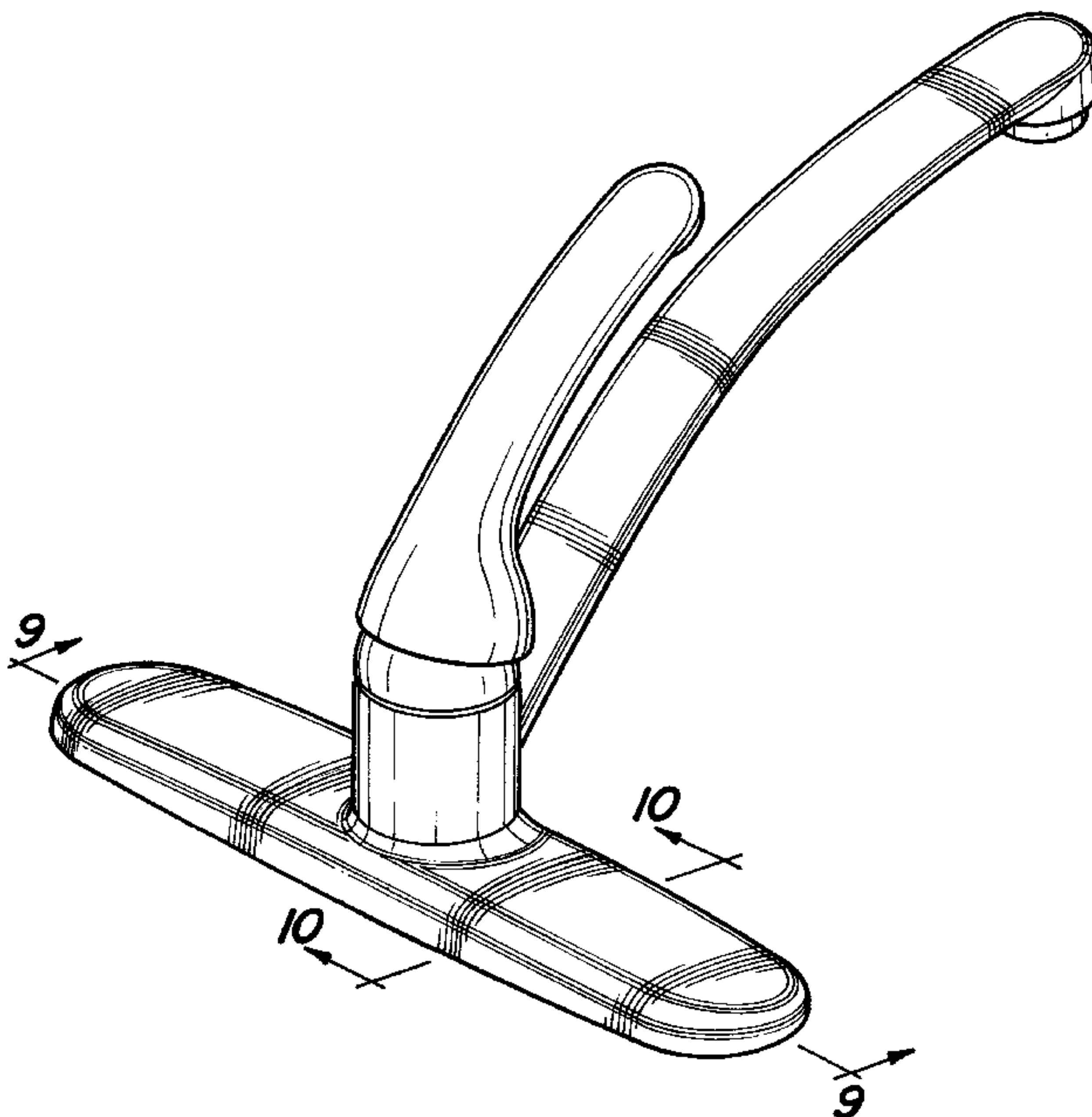
[57] CLAIM

The ornamental design for a single handle faucet, as shown and described.

DESCRIPTION

FIG. 1 is a front perspective view of a single handle faucet showing my new design;  
FIG. 2 is a rear perspective view thereof;  
FIG. 3 is a top plan view thereof;  
FIG. 4 is a front elevational view thereof;  
FIG. 5 is a right side elevational view thereof, the left side being a mirror image;  
FIG. 6 is a rear elevational view thereof;  
FIG. 7 is a bottom plan view thereof;  
FIG. 8 is a cross-sectional view taken along line 8—8 in FIG. 1;  
FIG. 9 is a cross-sectional view taken along line 9—9 in FIG. 2; and,  
FIG. 10 is a cross-sectional view taken along line 10—10 in FIG. 2.

1 Claim, 4 Drawing Sheets



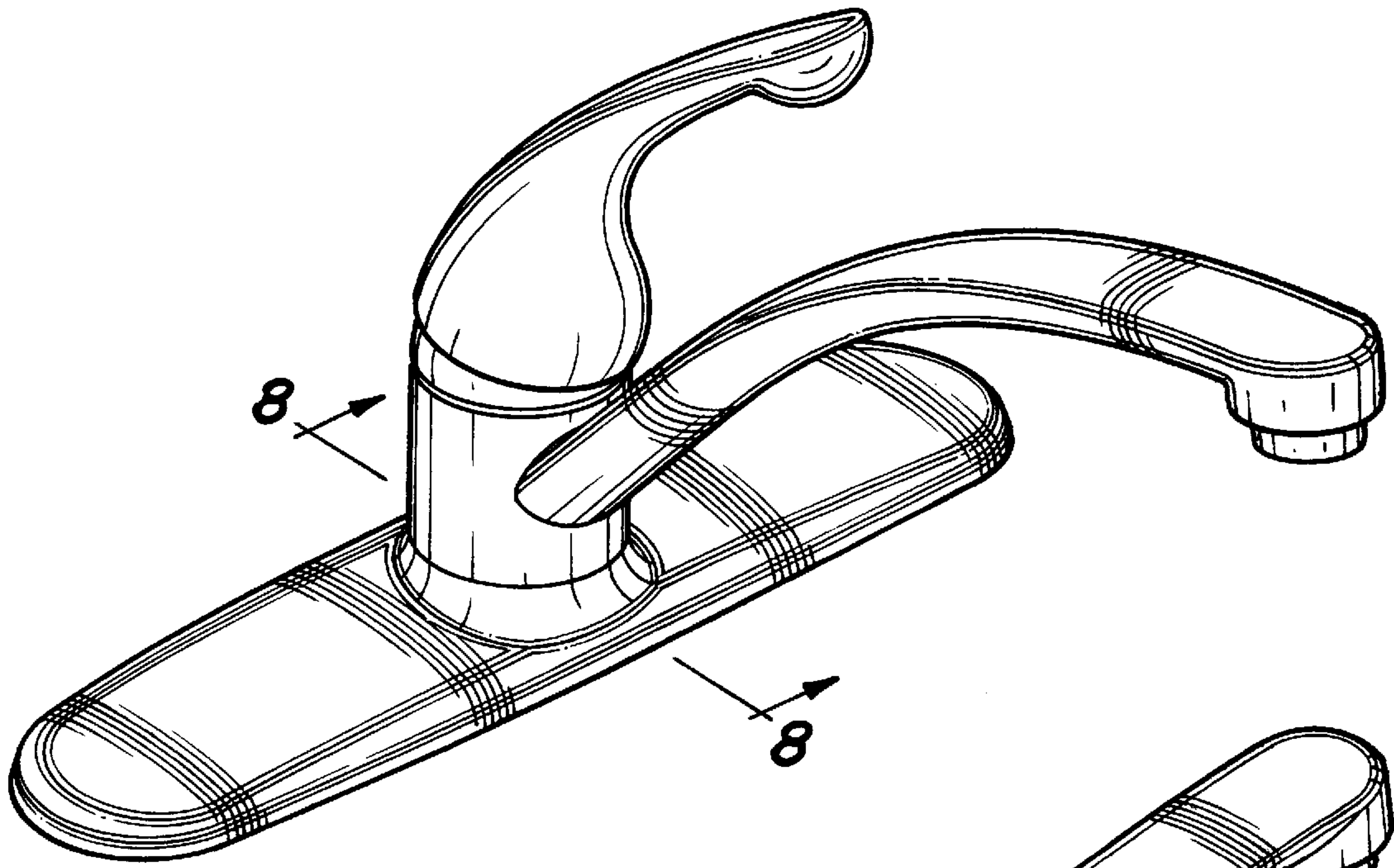


Fig-1

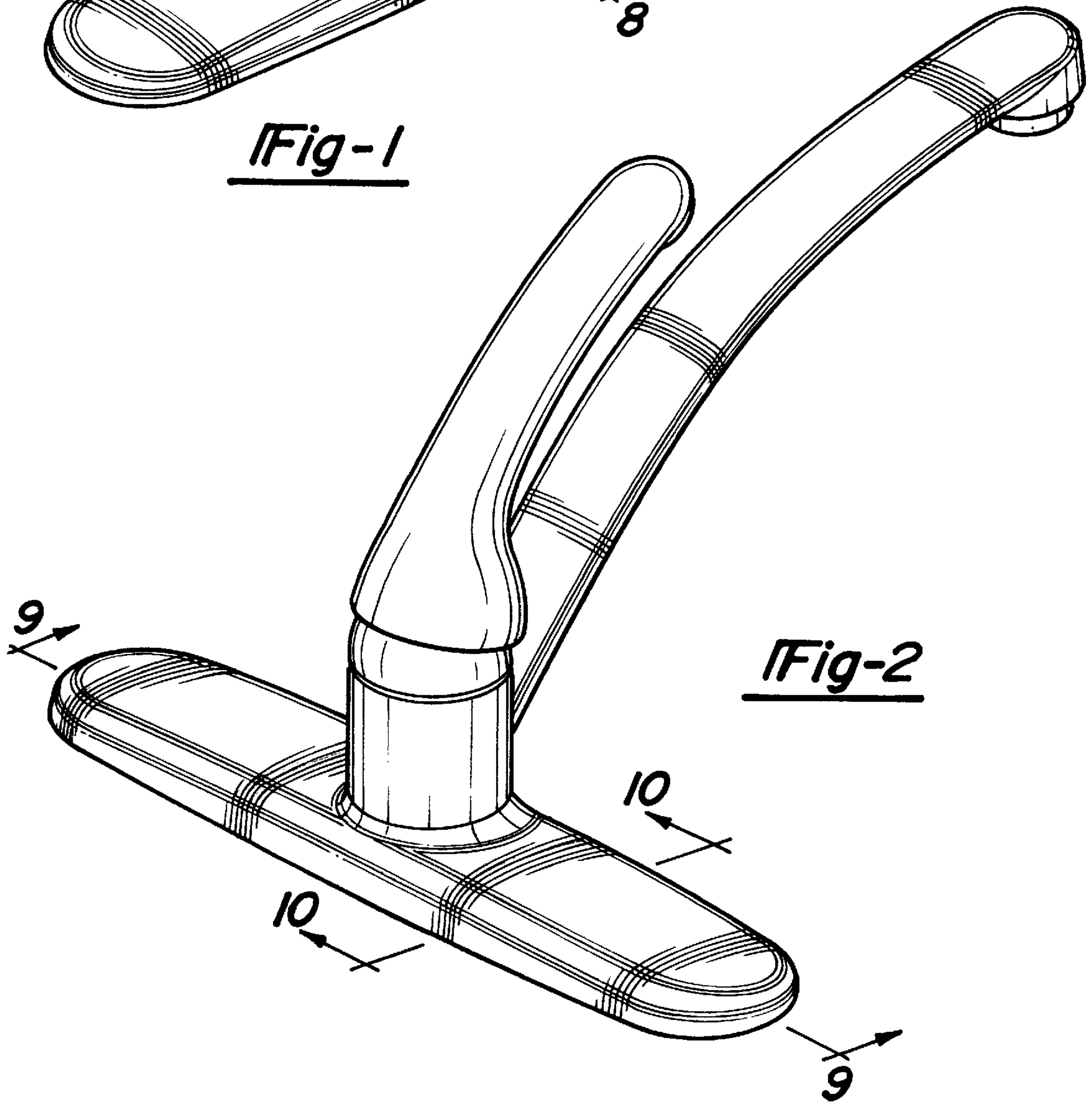


Fig-2

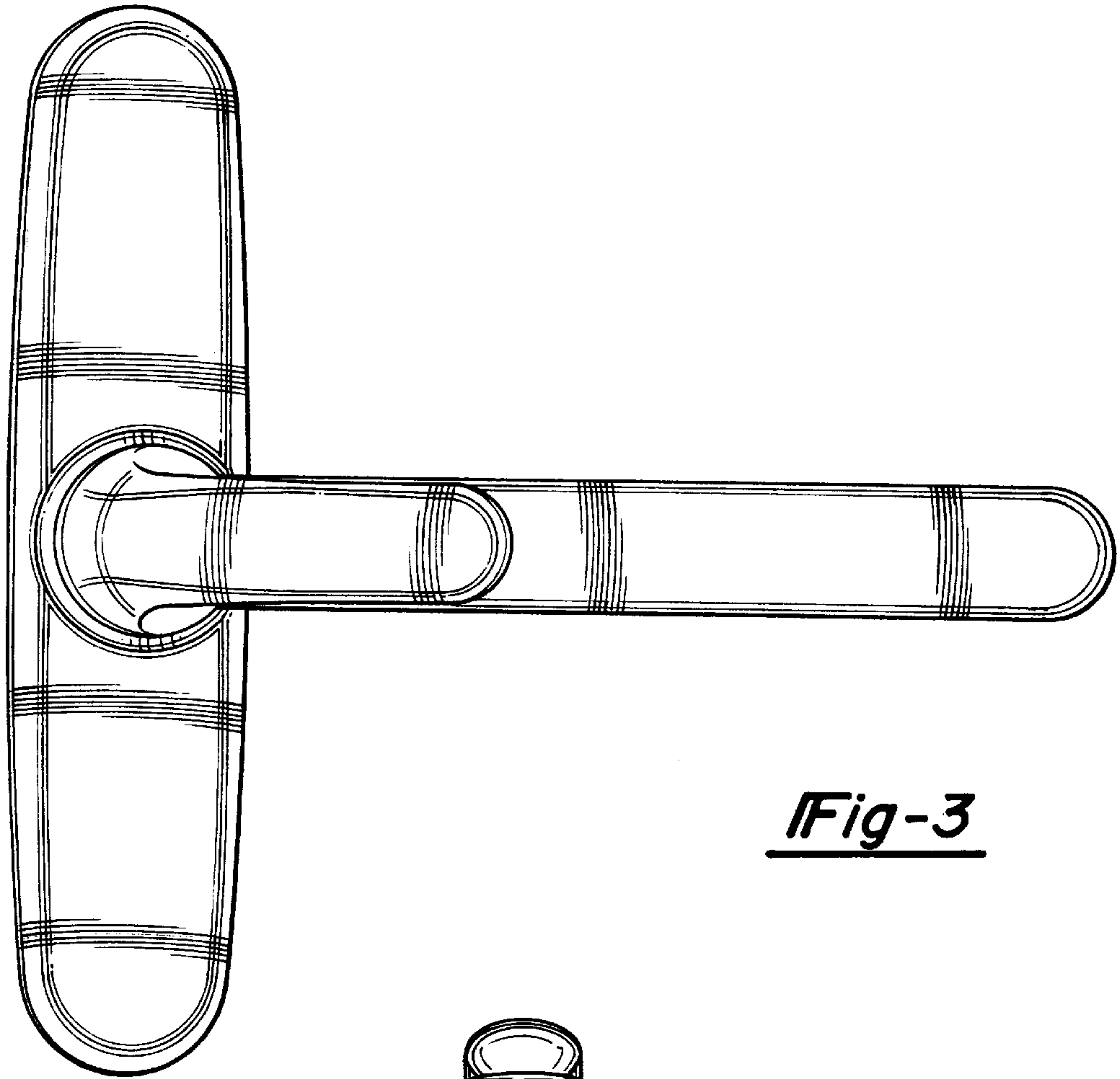


Fig-3

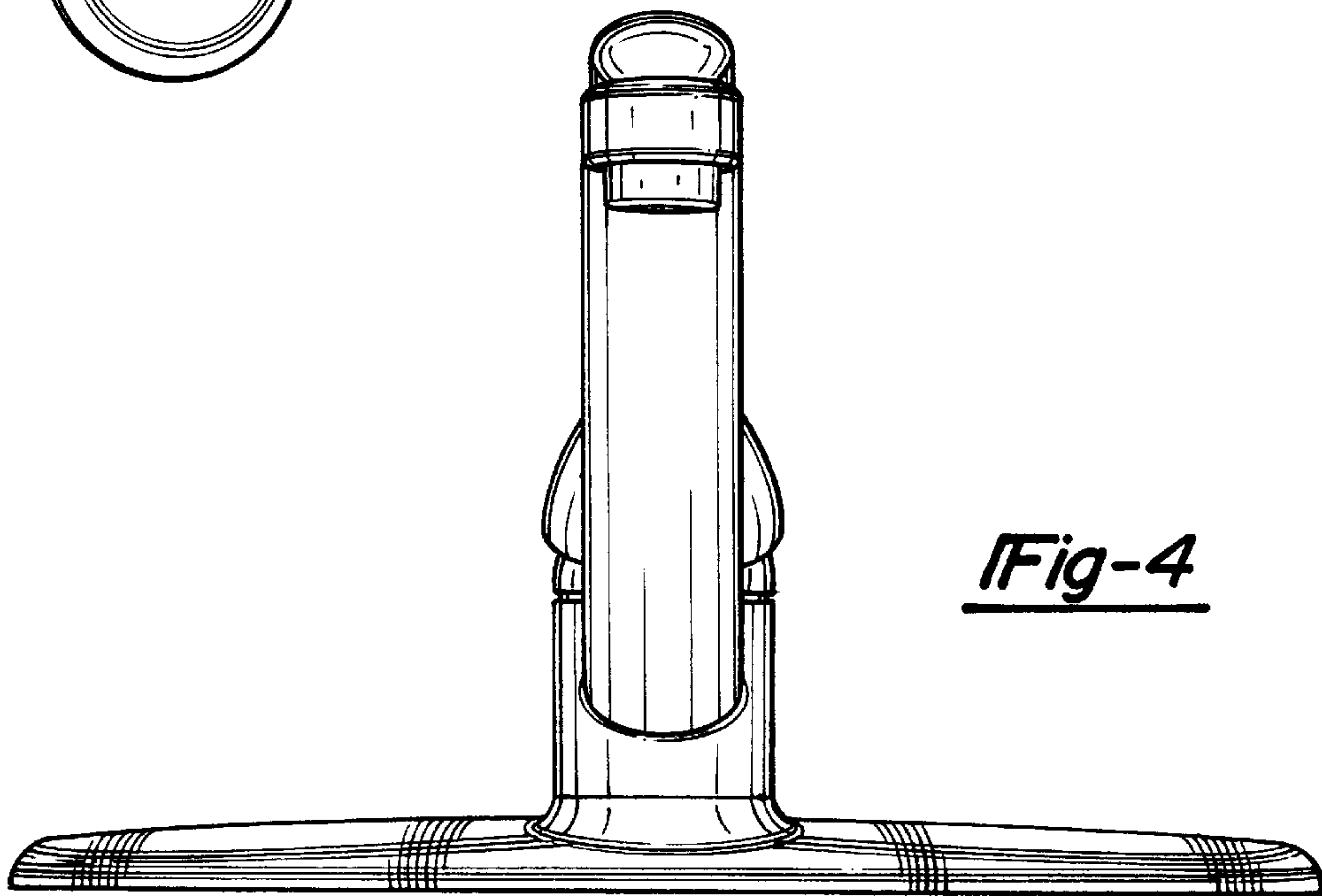


Fig-4



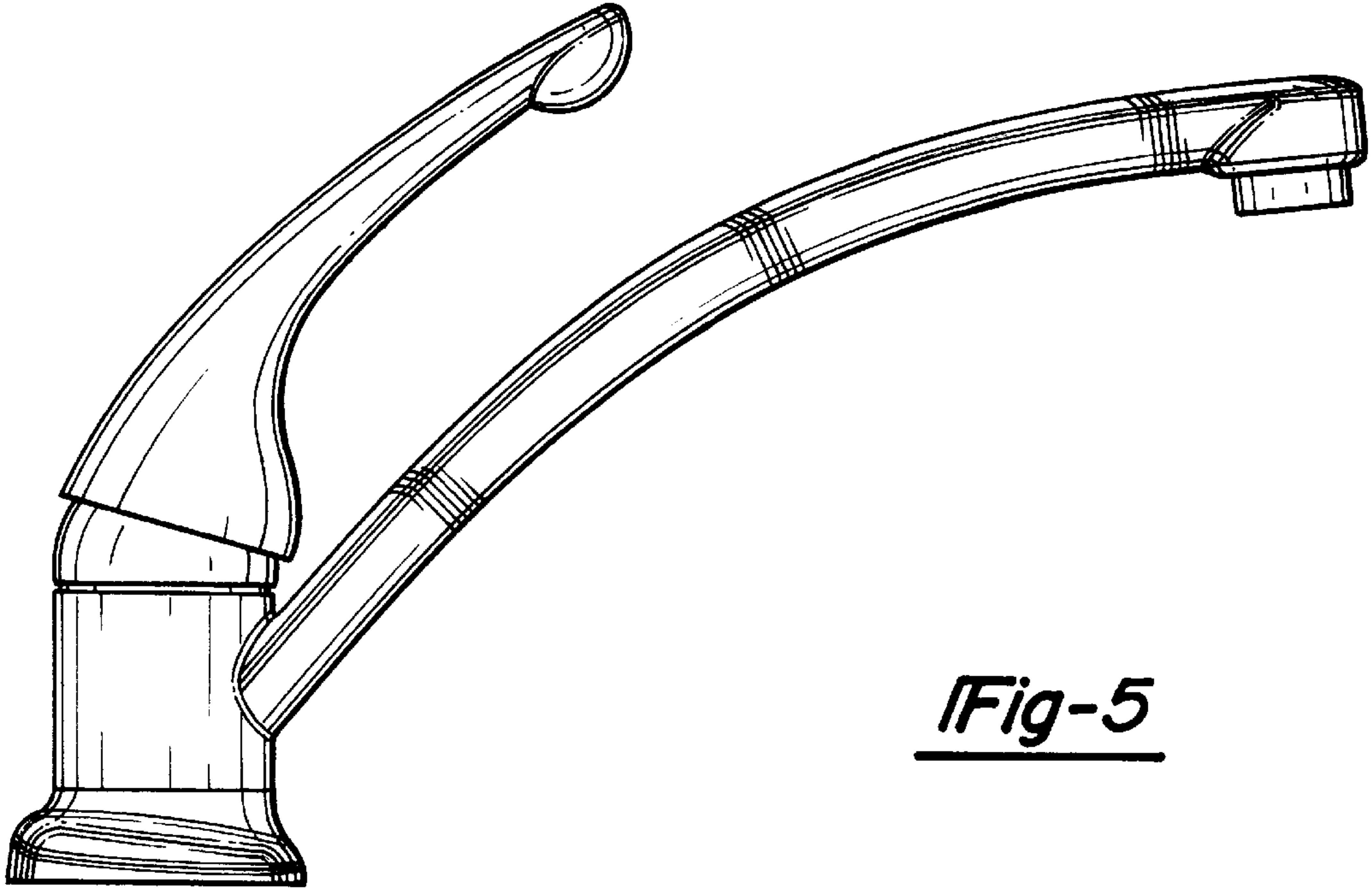


Fig-5

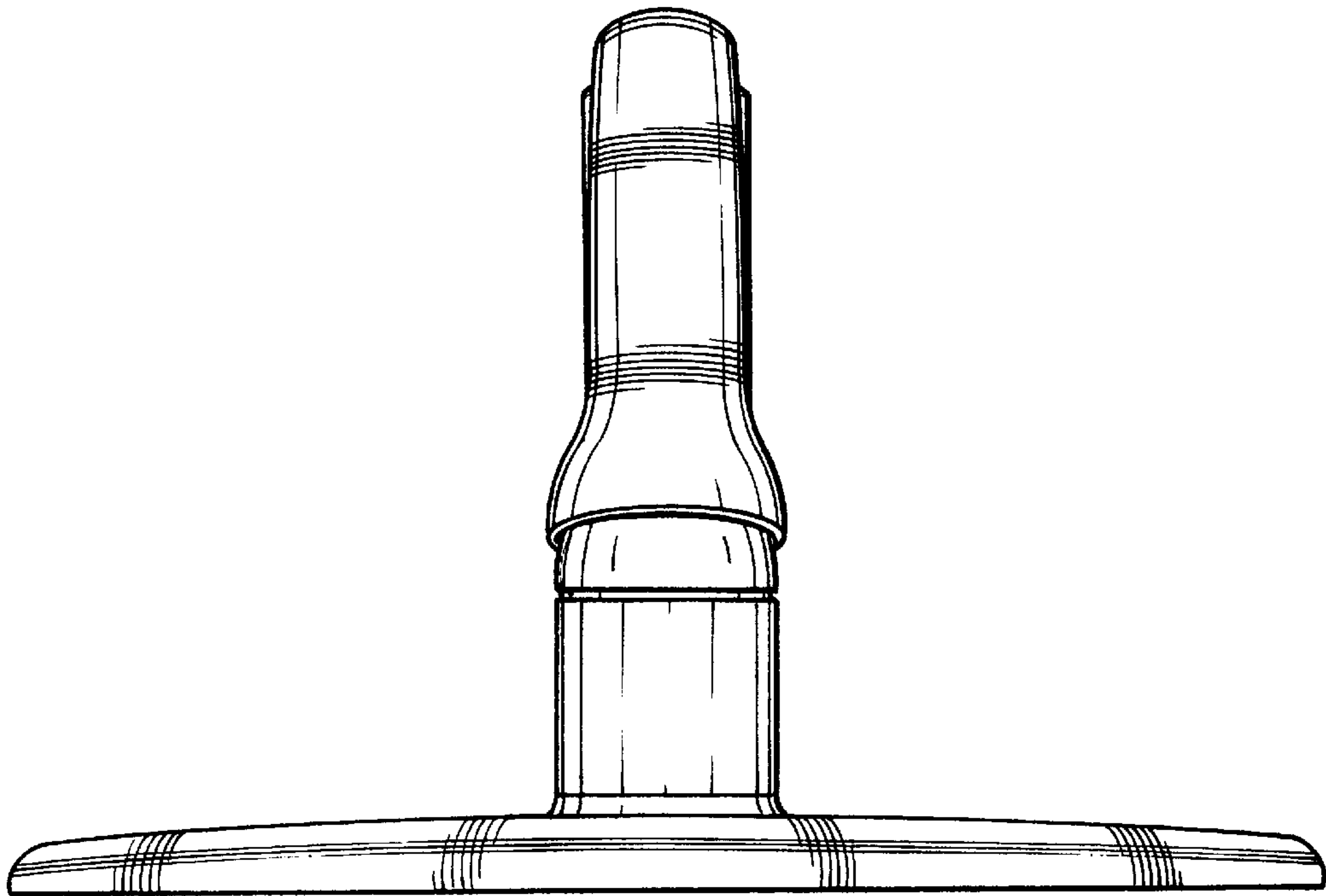


Fig-6

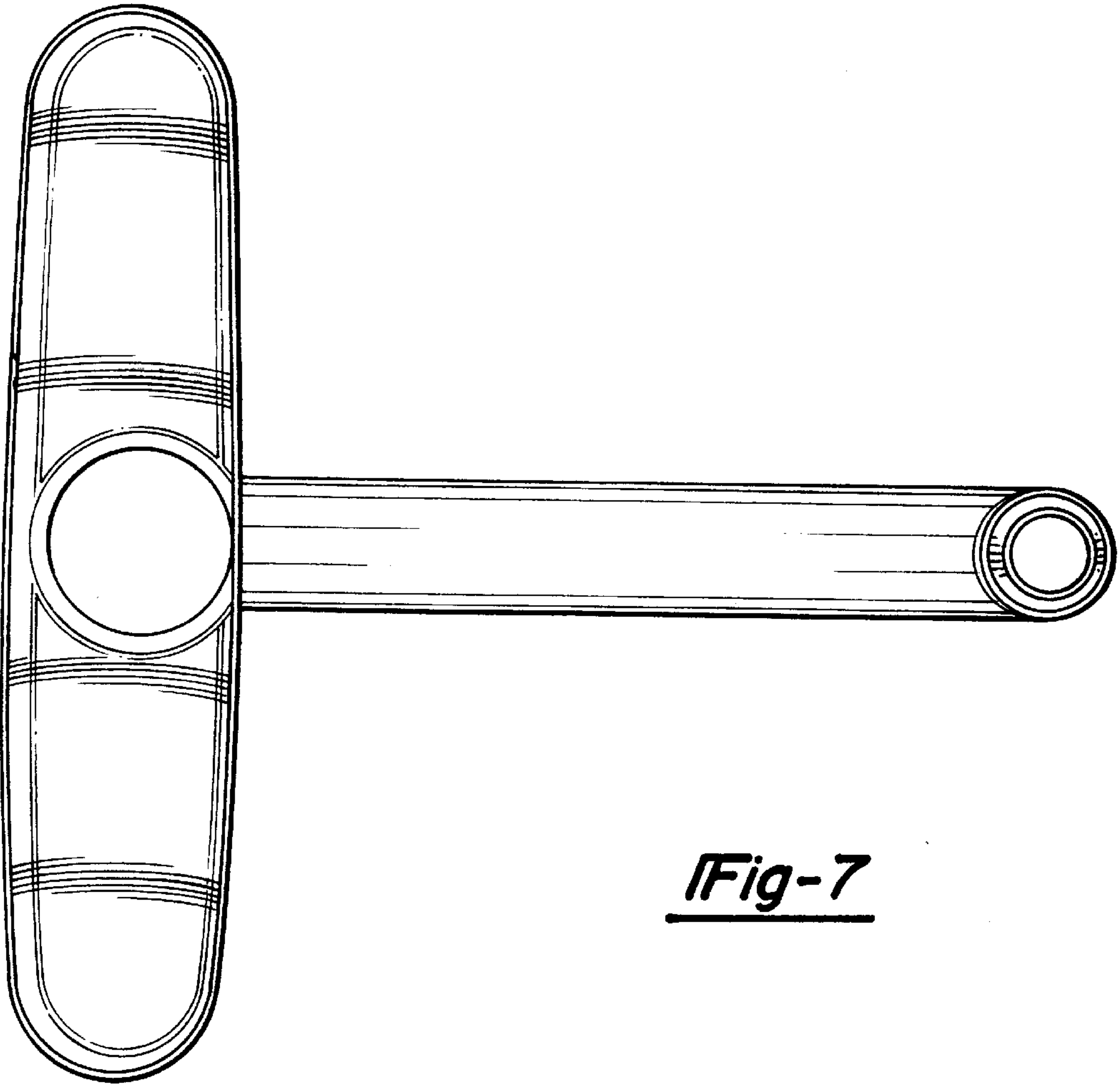


Fig-7



Fig-8

Fig-10

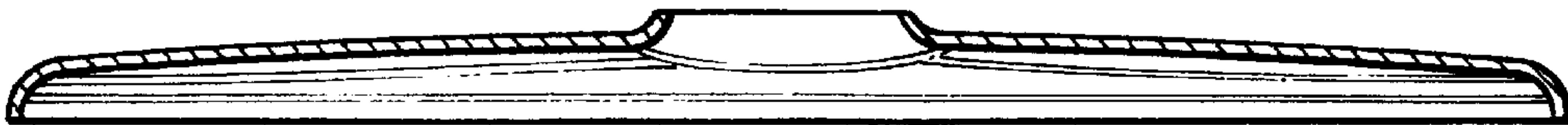


Fig-9