



US00D406305S

United States Patent [19]

[11] **Patent Number: Des. 406,305**

Runde

[45] **Date of Patent: **Mar. 2, 1999**

[54] **ARROW HEAD**

4,940,246 7/1990 Stagg 473/583
4,976,442 12/1990 Treadway 493/578

[76] Inventor: **Samuel J. Runde**, 3750 Sandy Hook Rd., Hazel Green, Wis. 53811

Primary Examiner—Louis S. Zarfes
Assistant Examiner—Monica A. Weingart
Attorney, Agent, or Firm—John V. Stewart

[**] Term: **14 Years**

[57] **CLAIM**

[21] Appl. No.: **77,840**

The ornamental design for an arrow head, as shown.

[22] Filed: **Oct. 10, 1997**

DESCRIPTION

[51] **LOC (6) Cl.** **22-03**

[52] **U.S. Cl.** **D22/115**; D22/100

[58] **Field of Search** D22/100, 115,
D22/199; 473/578, 582, 583

FIG. 1 Top and front perspective view;
FIG. 2 Bottom and back perspective view;
FIG. 3 Front view;
FIG. 4 Back view;
FIG. 5 Top view; and,
FIG. 6 Side view.

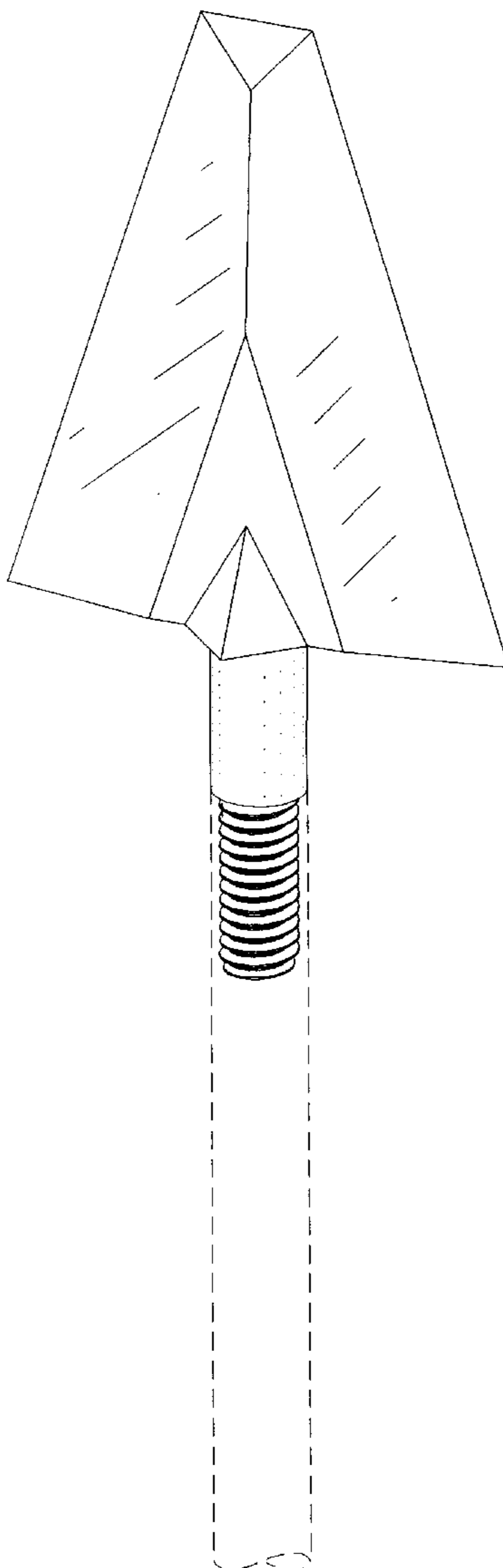
[56] **References Cited**

U.S. PATENT DOCUMENTS

Re. 33,470 12/1990 Boy et al. 473/578
D. 257,444 10/1980 Erlandson D22/115
2,873,973 12/1959 Hauch 473/583
4,534,568 8/1985 Tone 473/583

The broken line showing of the body of the arrow in FIGS. 1 and 2 is for illustrative purposes only and forms no part of the claimed design.

1 Claim, 2 Drawing Sheets



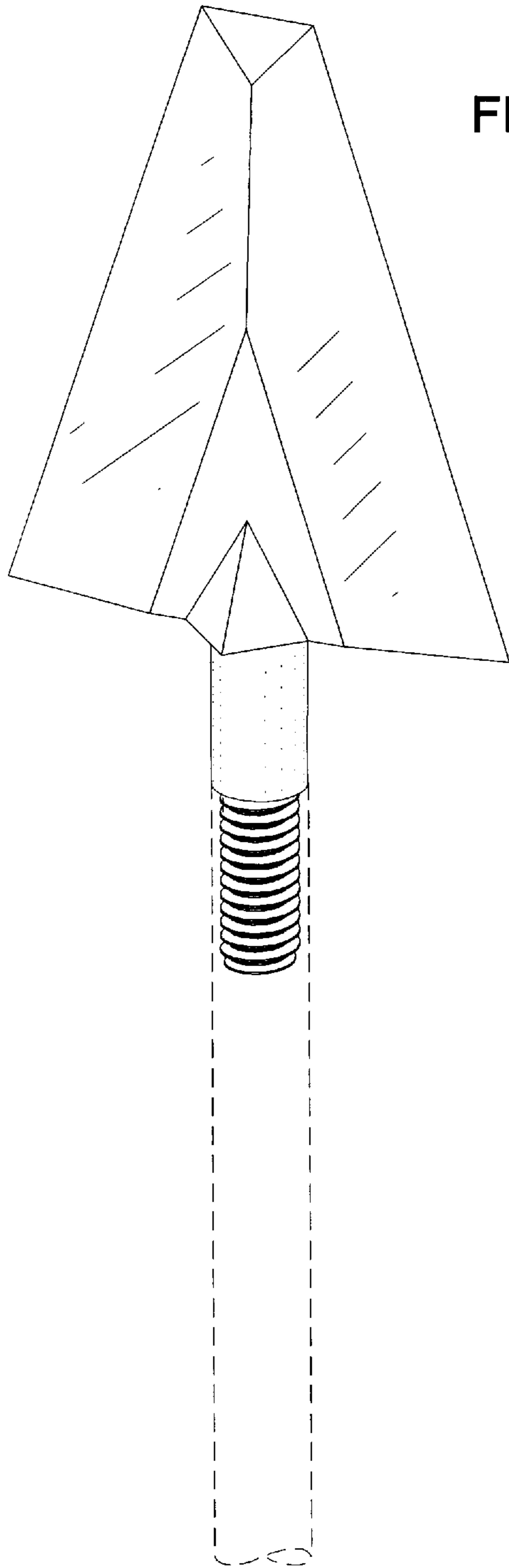


FIG 1

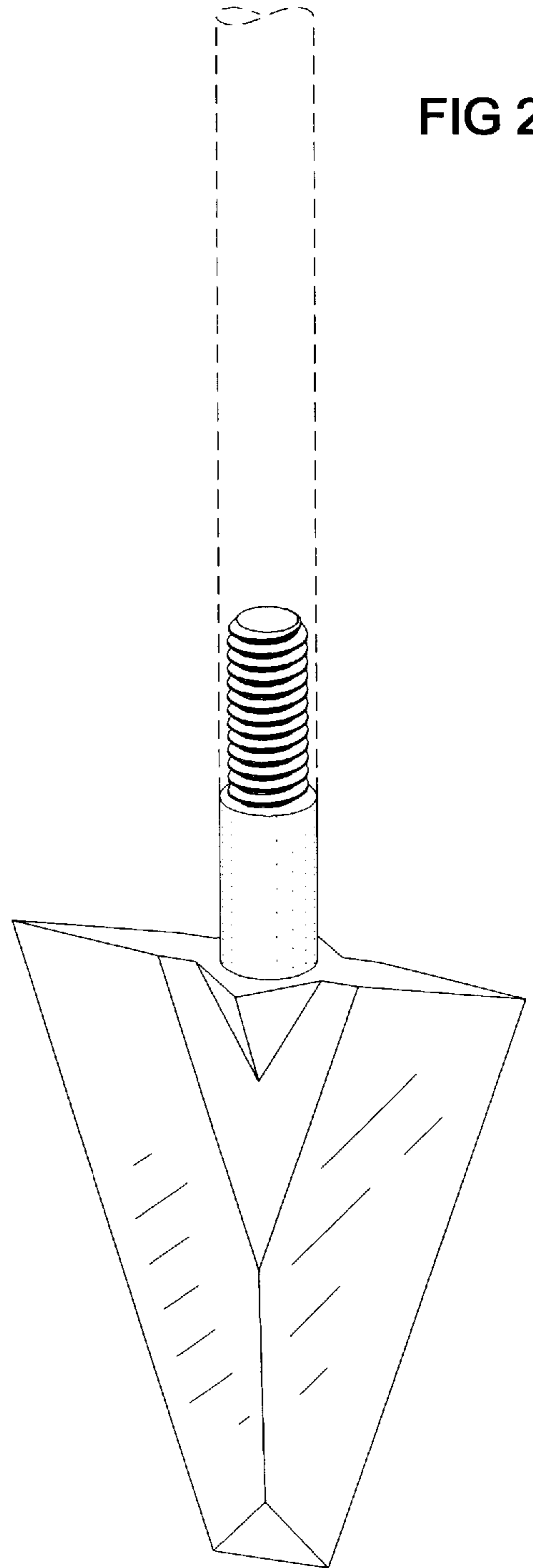


FIG 2

FIG 3

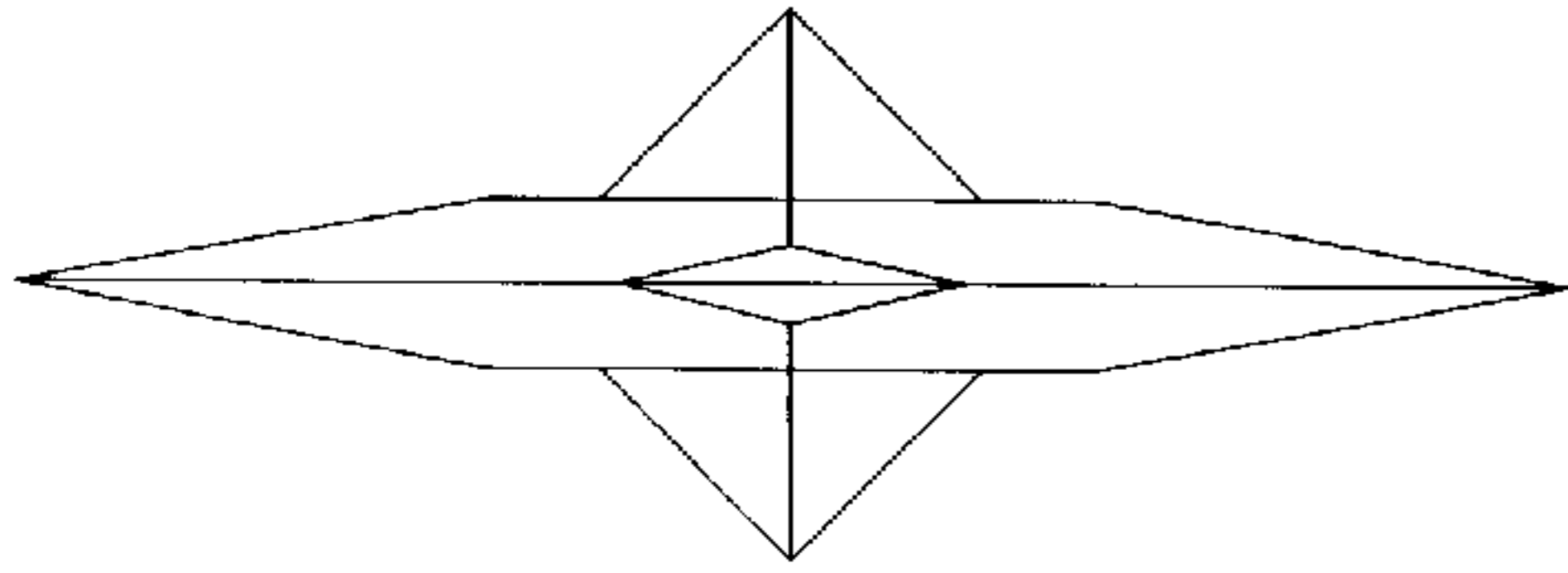


FIG 4

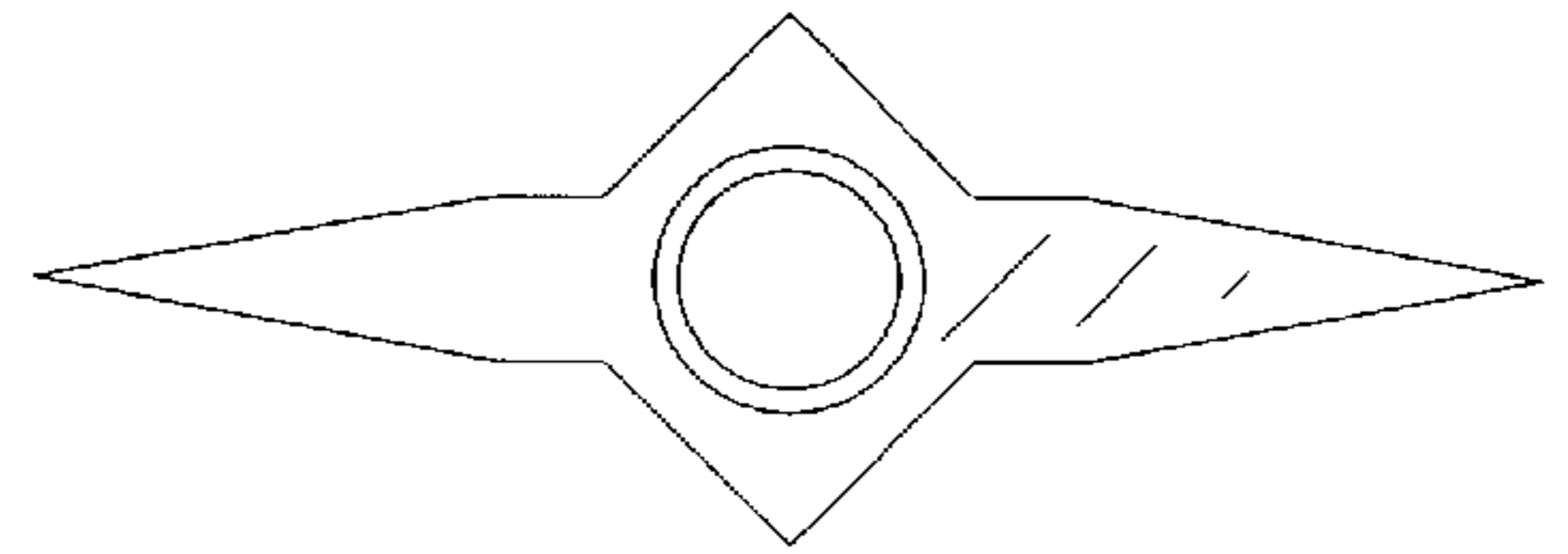


FIG 5

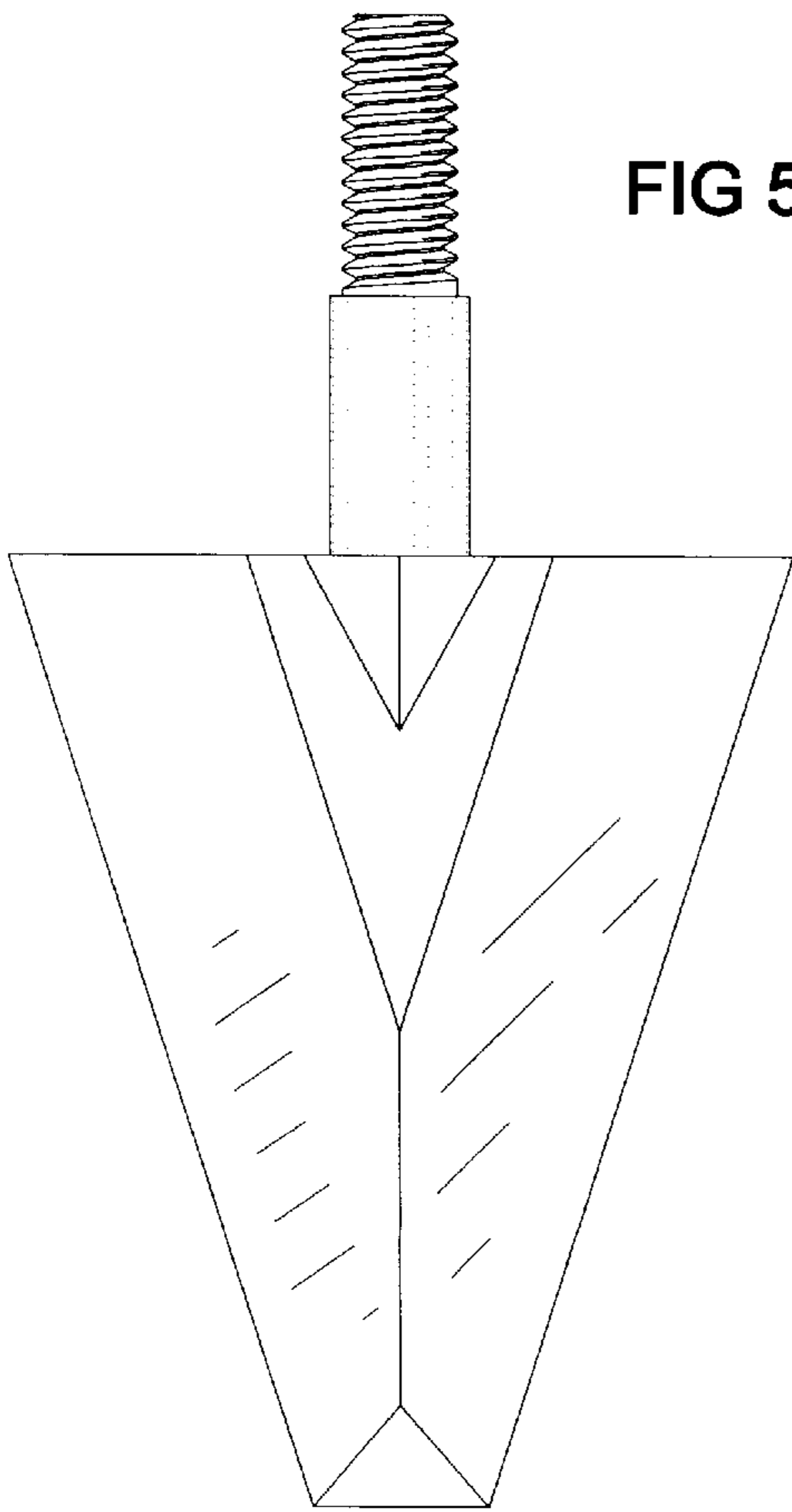


FIG 6

