



US00D406304S

United States Patent [19] Elliott

[11] **Patent Number: Des. 406,304**

[45] **Date of Patent: **Mar. 2, 1999**

[54] **SUN SHADE FOR SIGHT**

[76] Inventor: **Dennis A. Elliott**, 1603 W. King St.,
Yakima, Wash. 98902

[**] Term: **14 Years**

[21] Appl. No.: **85,763**

[22] Filed: **Mar. 30, 1998**

[51] **LOC (6) Cl. 22-01**

[52] **U.S. Cl. D22/108; D22/109**

[58] **Field of Search D22/108, 109,
D22/110; 42/100, 101; 33/233, 235, 245,
276, 292; 359/399**

[56] **References Cited**

U.S. PATENT DOCUMENTS

D. 329,079	9/1992	Sanders	D22/109
D. 376,406	12/1996	Rosen et al.	D22/109
3,495,338	2/1970	Ullman	42/100
4,561,204	12/1985	Binion	33/245
4,574,508	3/1986	Ross	D22/109
4,606,131	8/1986	Domian	42/100
4,815,822	3/1989	Bramhall	42/100

FOREIGN PATENT DOCUMENTS

791566	3/1958	United Kingdom	42/100
--------	--------	----------------------	--------

Primary Examiner—Louis S. Zarfaz

Assistant Examiner—Monica A. Weingart

Attorney, Agent, or Firm—Thomas W. Secrest

[57] **CLAIM**

The ornamental design for sun shade for sight, as shown and described.

DESCRIPTION

FIG. 1 is a front elevational view of the comprising an

attaching member and a blocking member in an extended state;

FIG. 2 is a rear elevational view;

FIG. 3 is an end elevational view with the attaching member in the foreground;

FIG. 4 is an end elevational view with the attaching member member in the background;

FIG. 5 is a bottom plan view;

FIG. 6 is a top plan view;

FIG. 7 is a front elevational view with the attaching member and the blocking member being at approximately right angles to each other and with the attaching member being in the background;

FIG. 8 is a rear elevational view with the attaching member and the blocking member being at approximately right angles to each other and with the blocking member being near the viewer and with the attaching member being in the background;

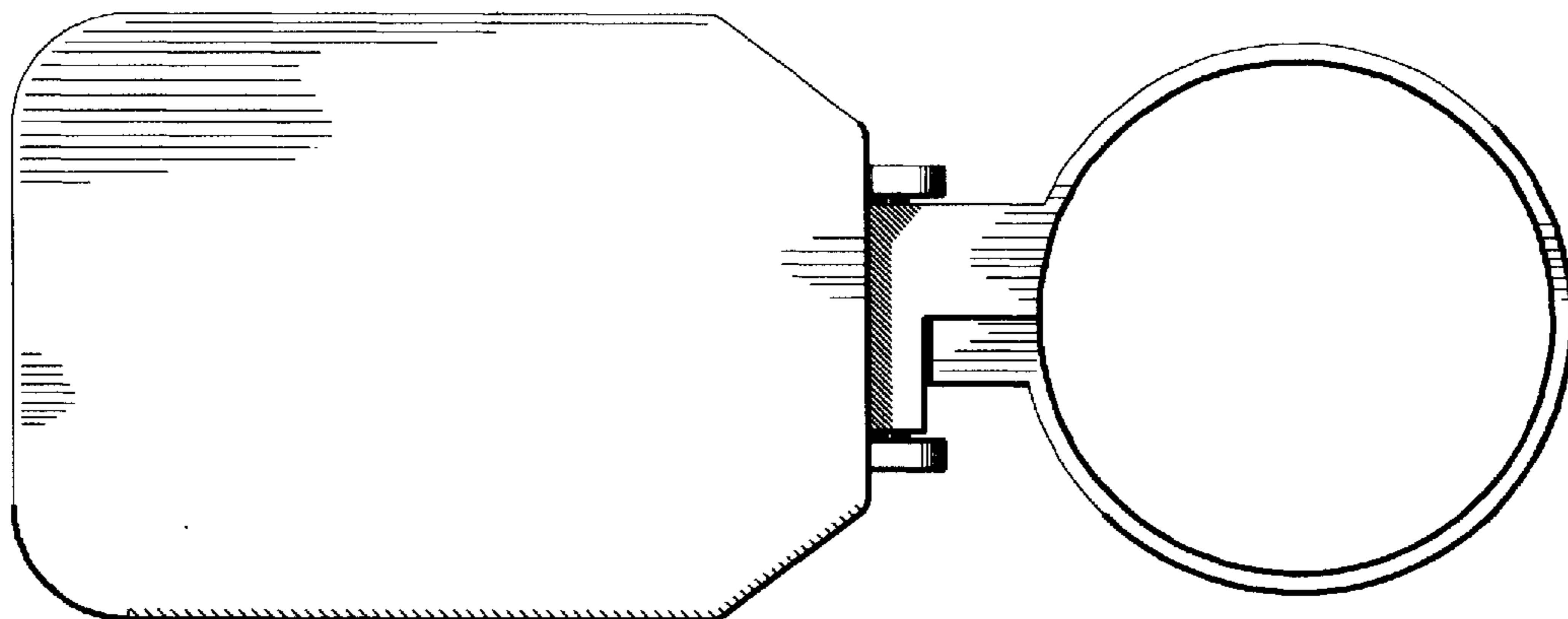
FIG. 9 is an elevational view with the attaching member and the blocking member being at approximately right angles to each other and with the blocking member being in the foreground;

FIG. 10 is an elevational view with the attaching member and the blocking member being at approximately right angles to each other and with the attaching member being close to the viewer and the blocking member being in the background;

FIG. 11 is a bottom plan view with the attaching member and the blocking member being at approximately ninety degrees to each other; and,

FIG. 12 is a top plan view of the attaching member and the blocking member being at approximately ninety degrees to each other.

1 Claim, 5 Drawing Sheets



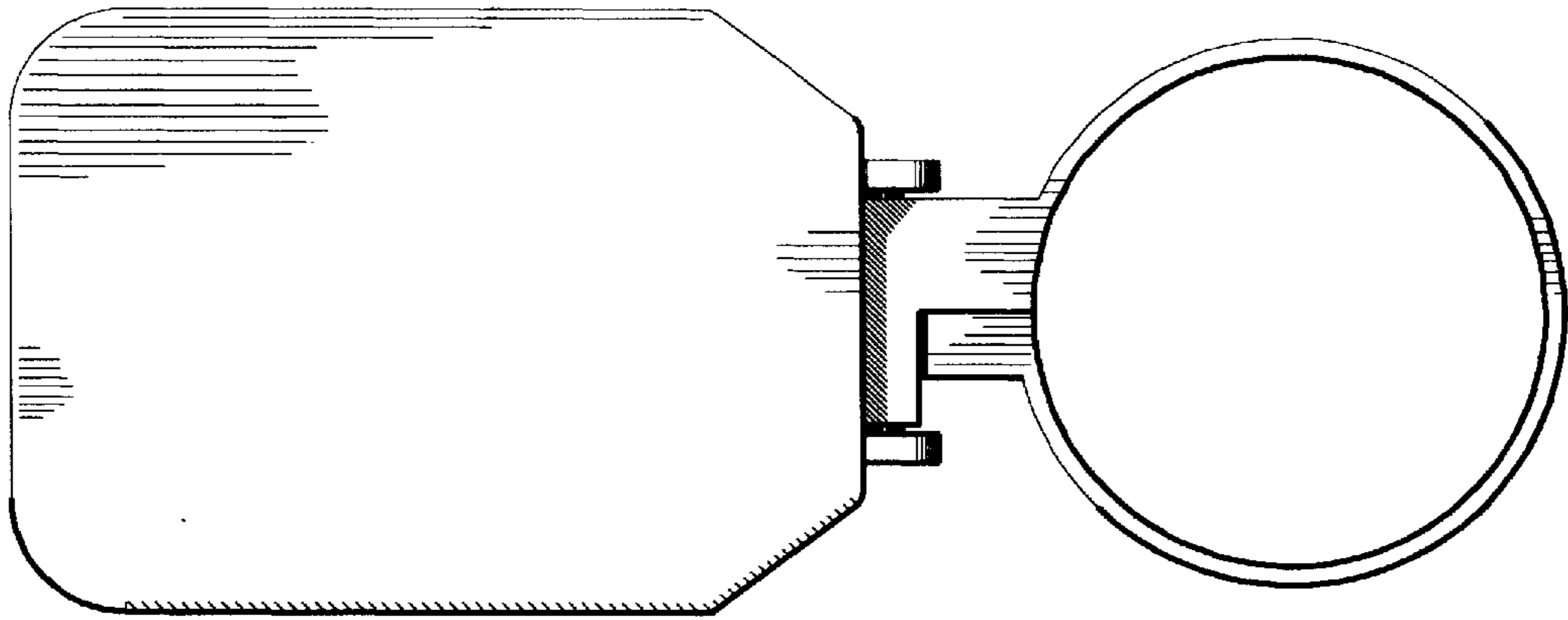


FIG. 1

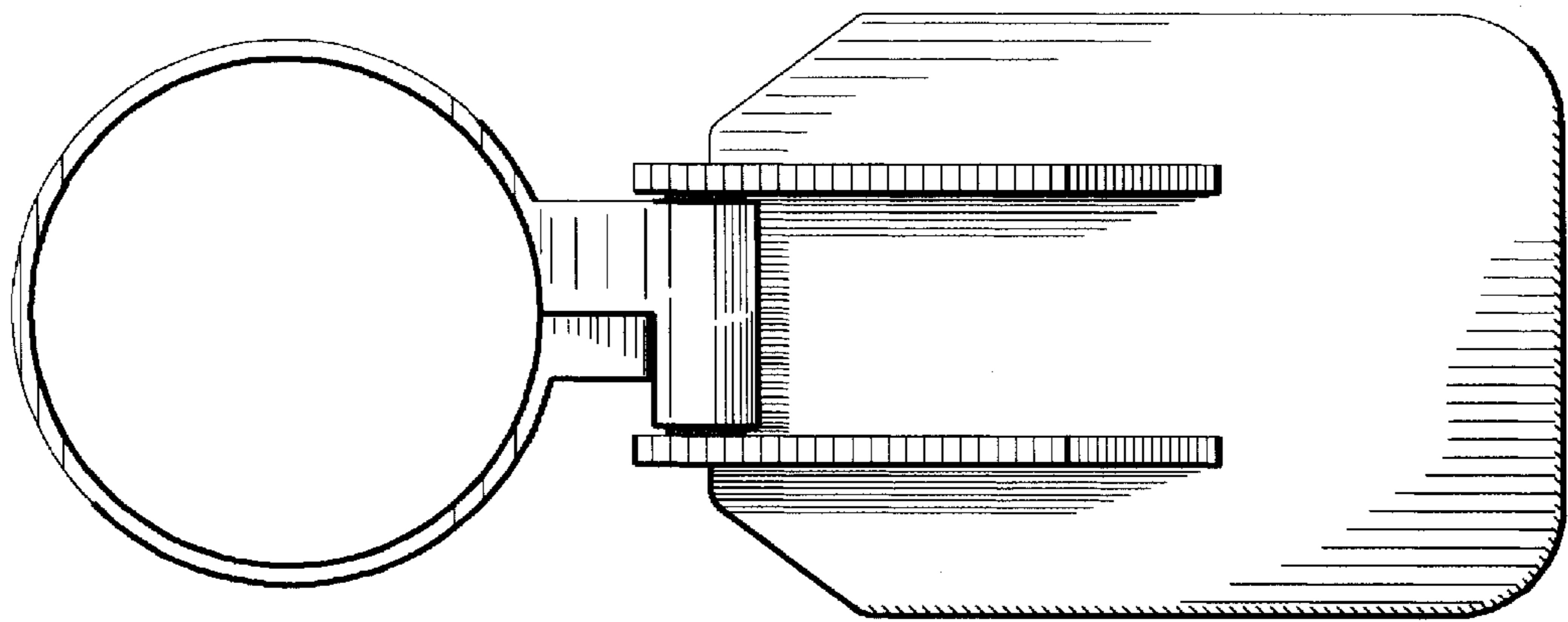


FIG. 2

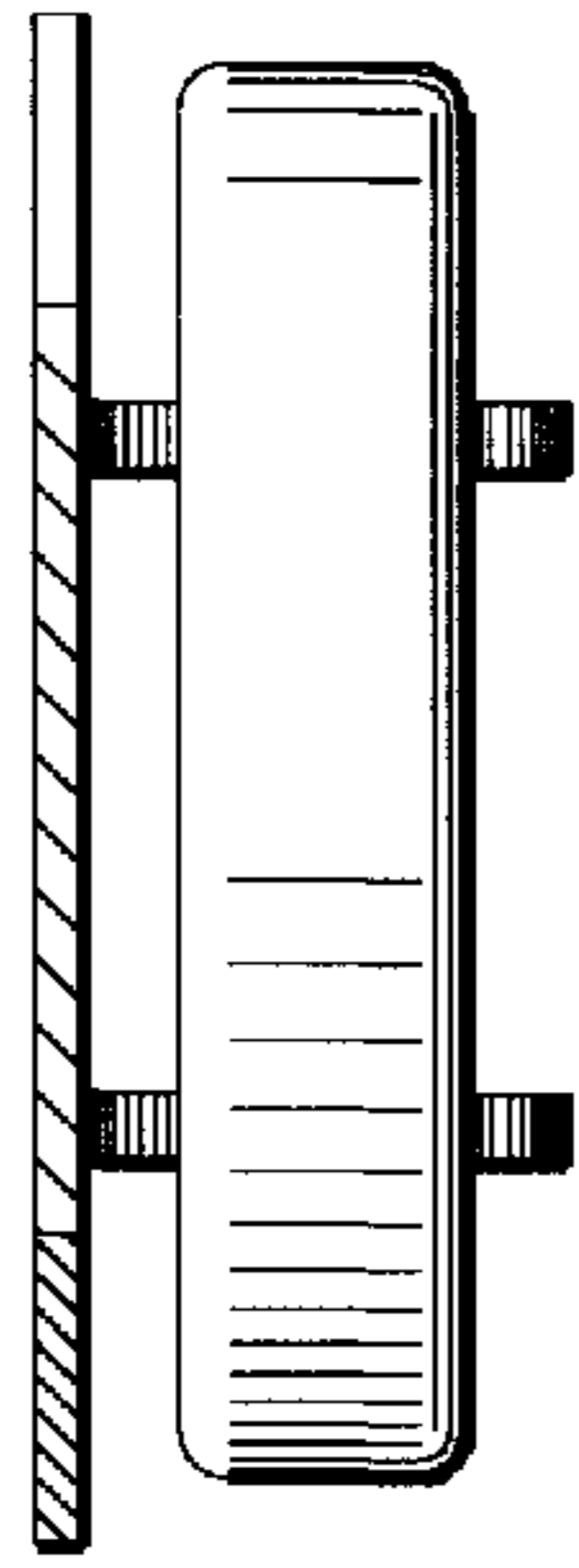


FIG. 3

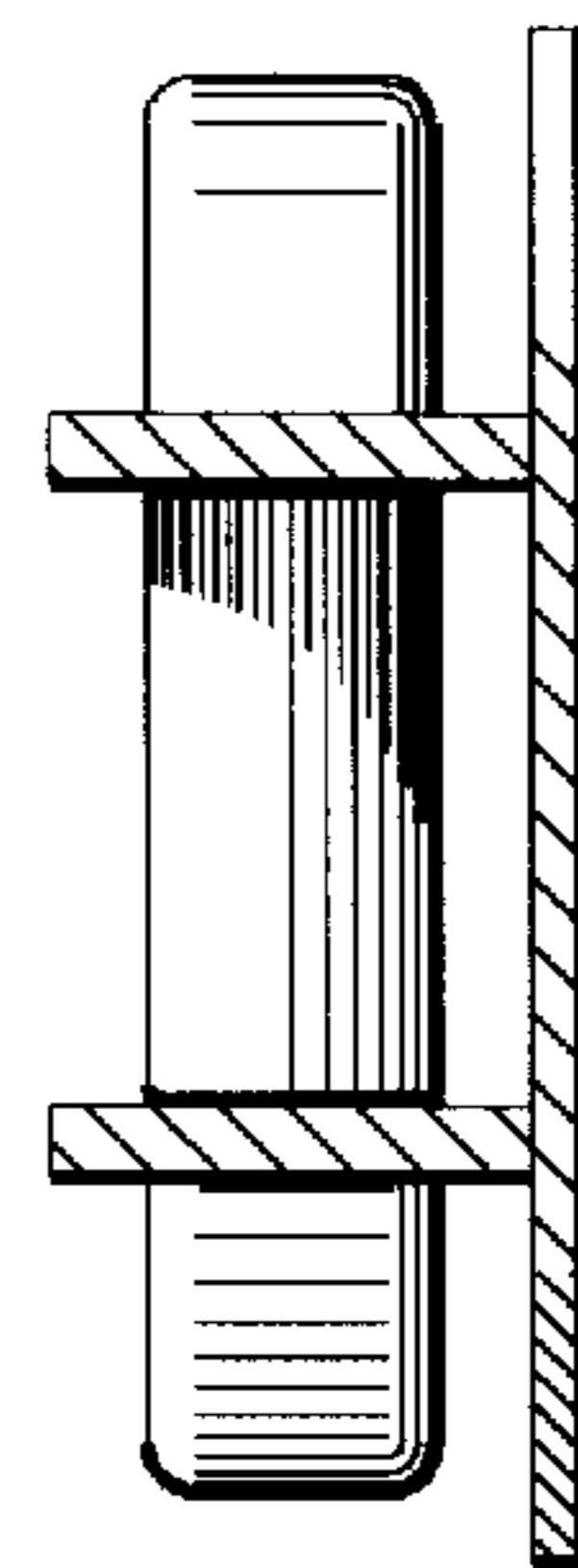


FIG. 4

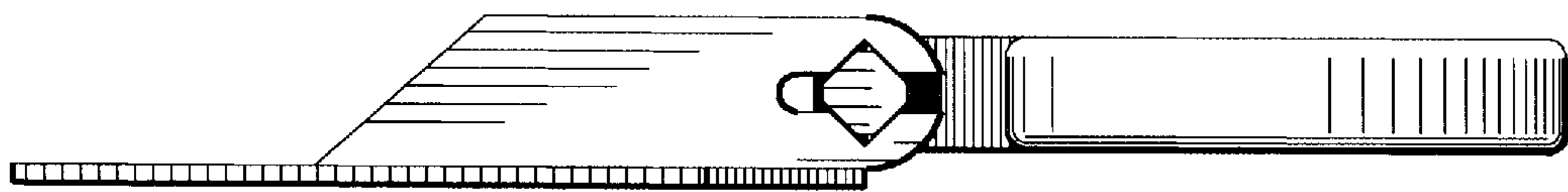


FIG. 5

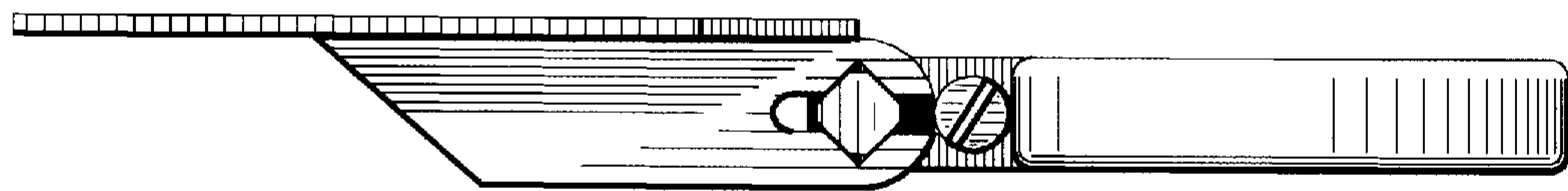


FIG. 6

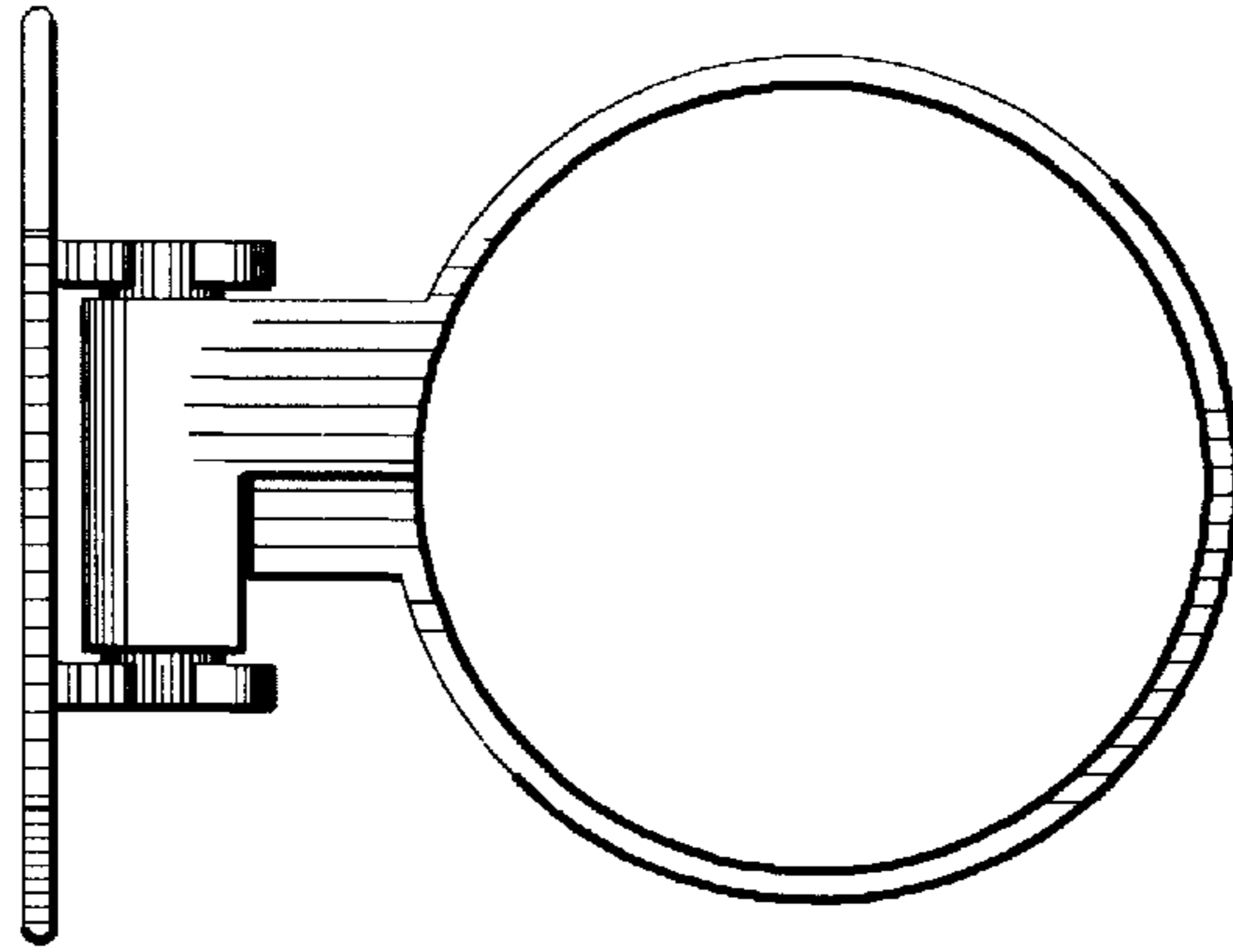


FIG. 7

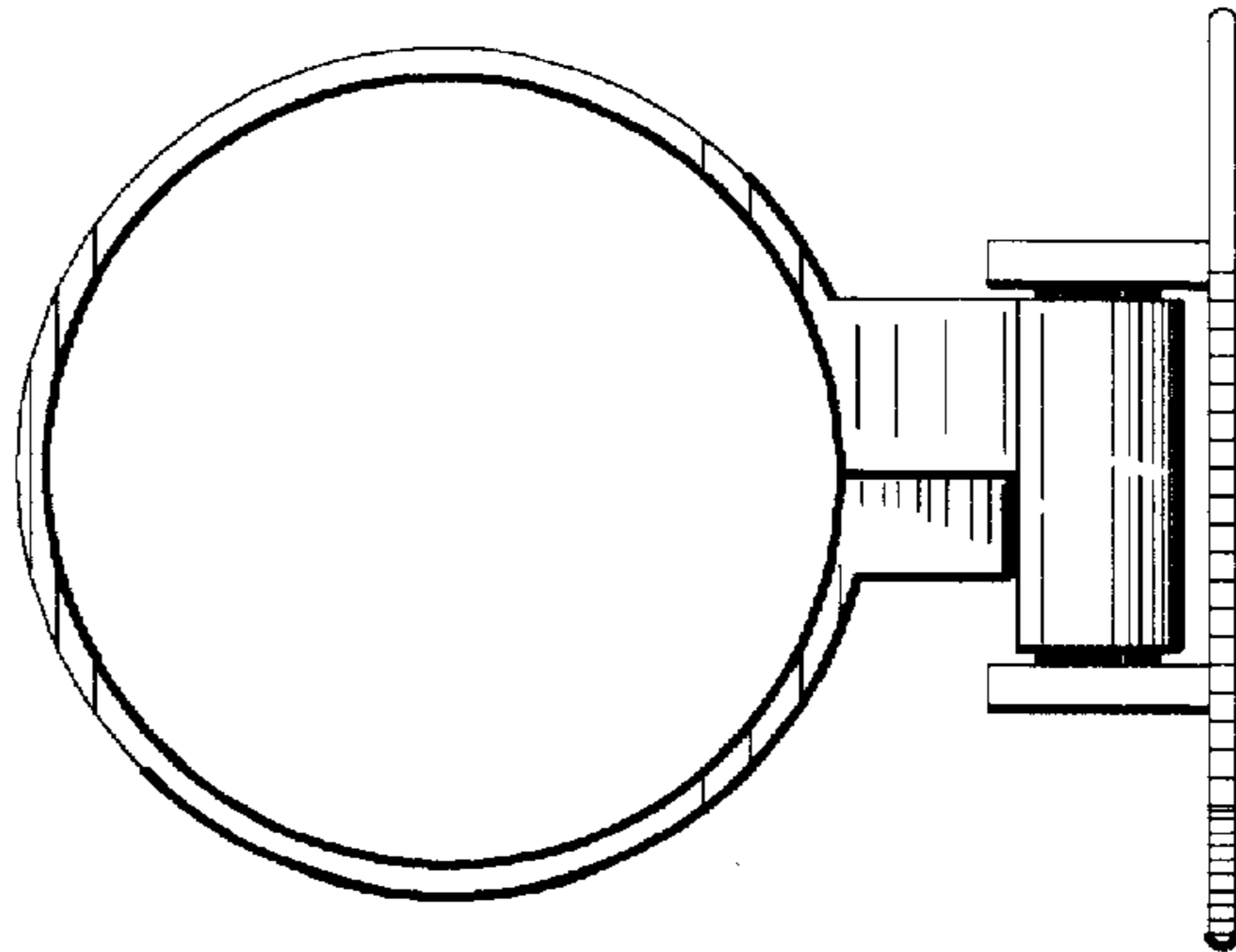


FIG. 8

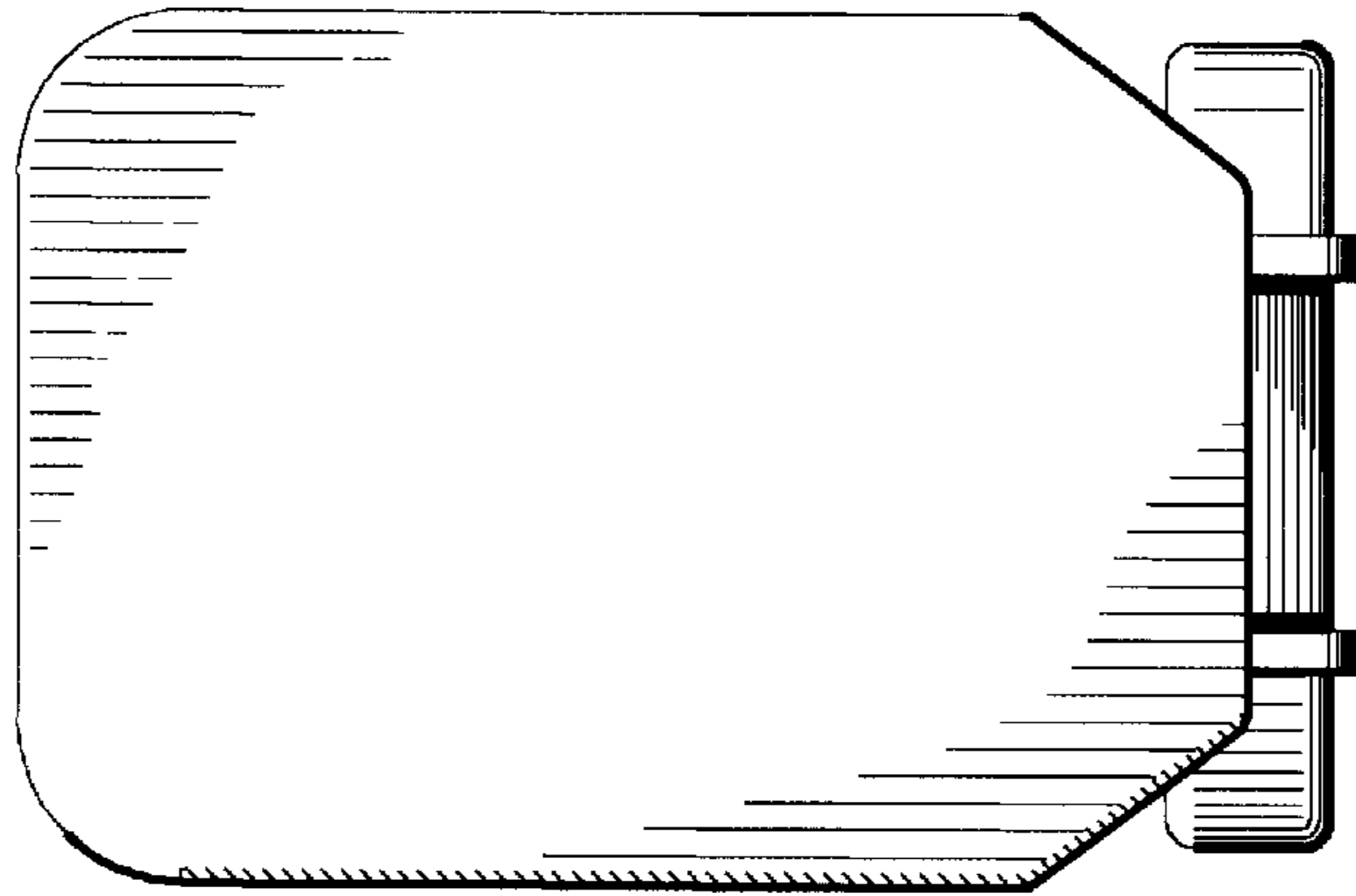


FIG. 9

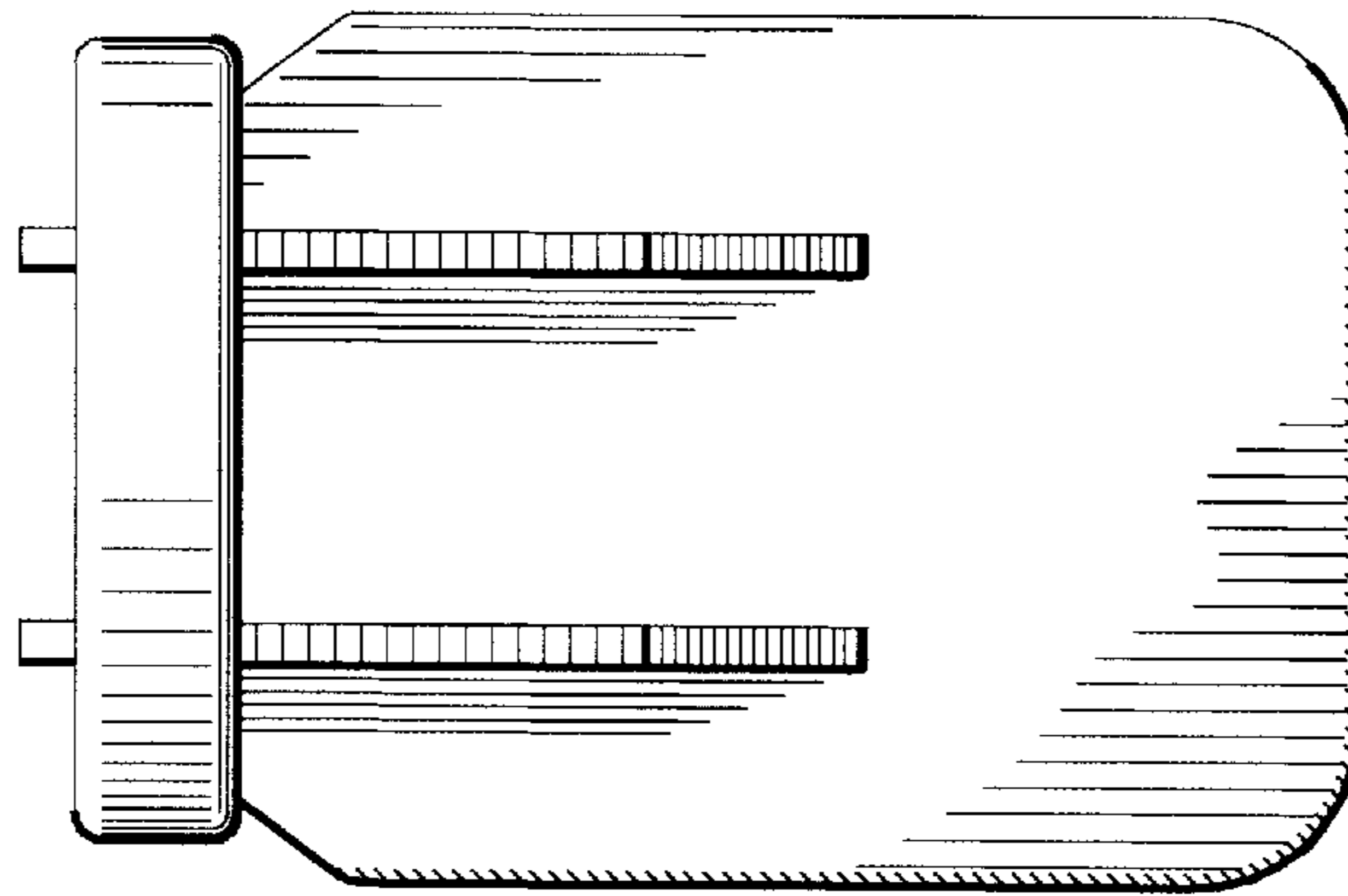


FIG. 10

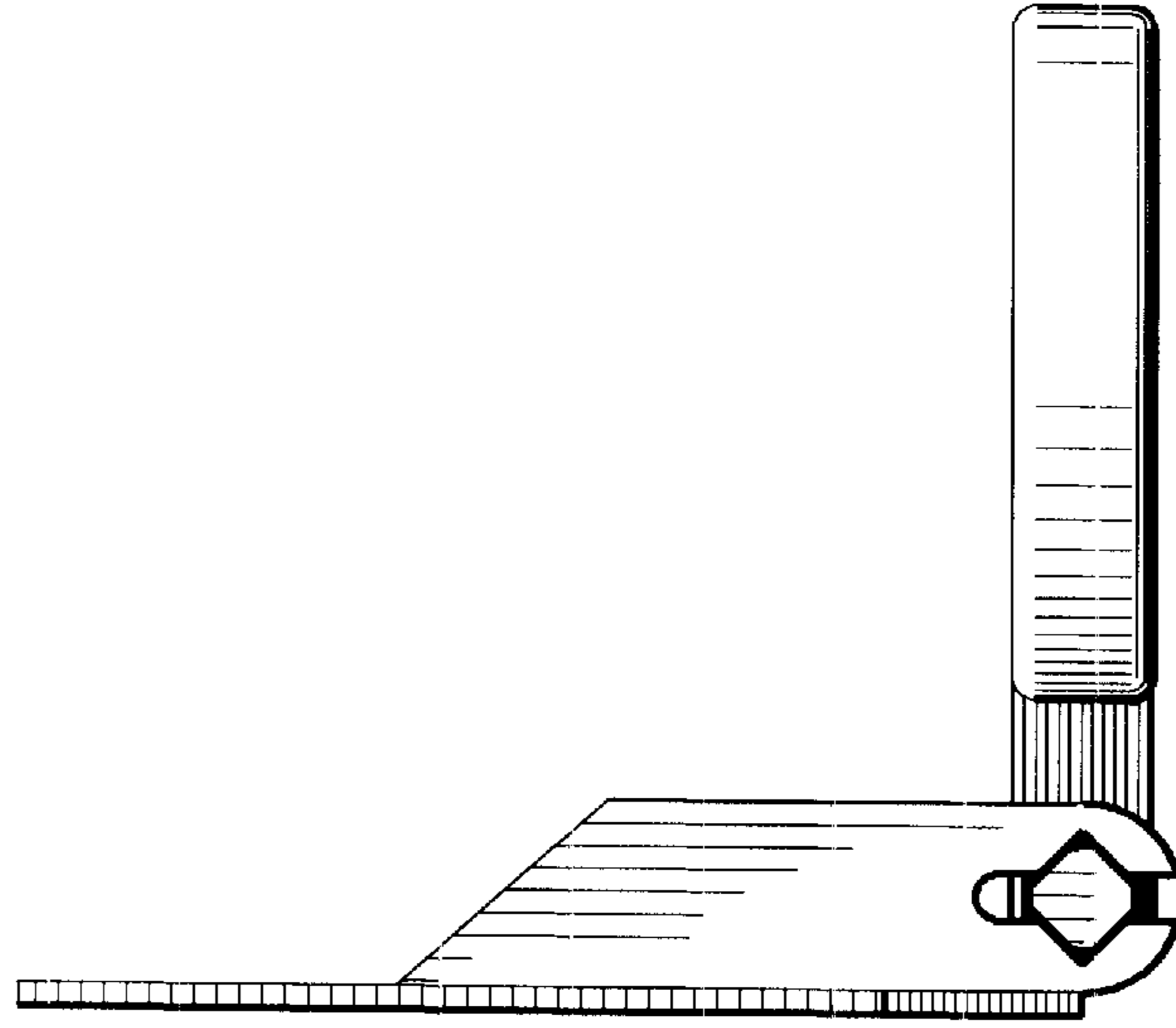


FIG. 11

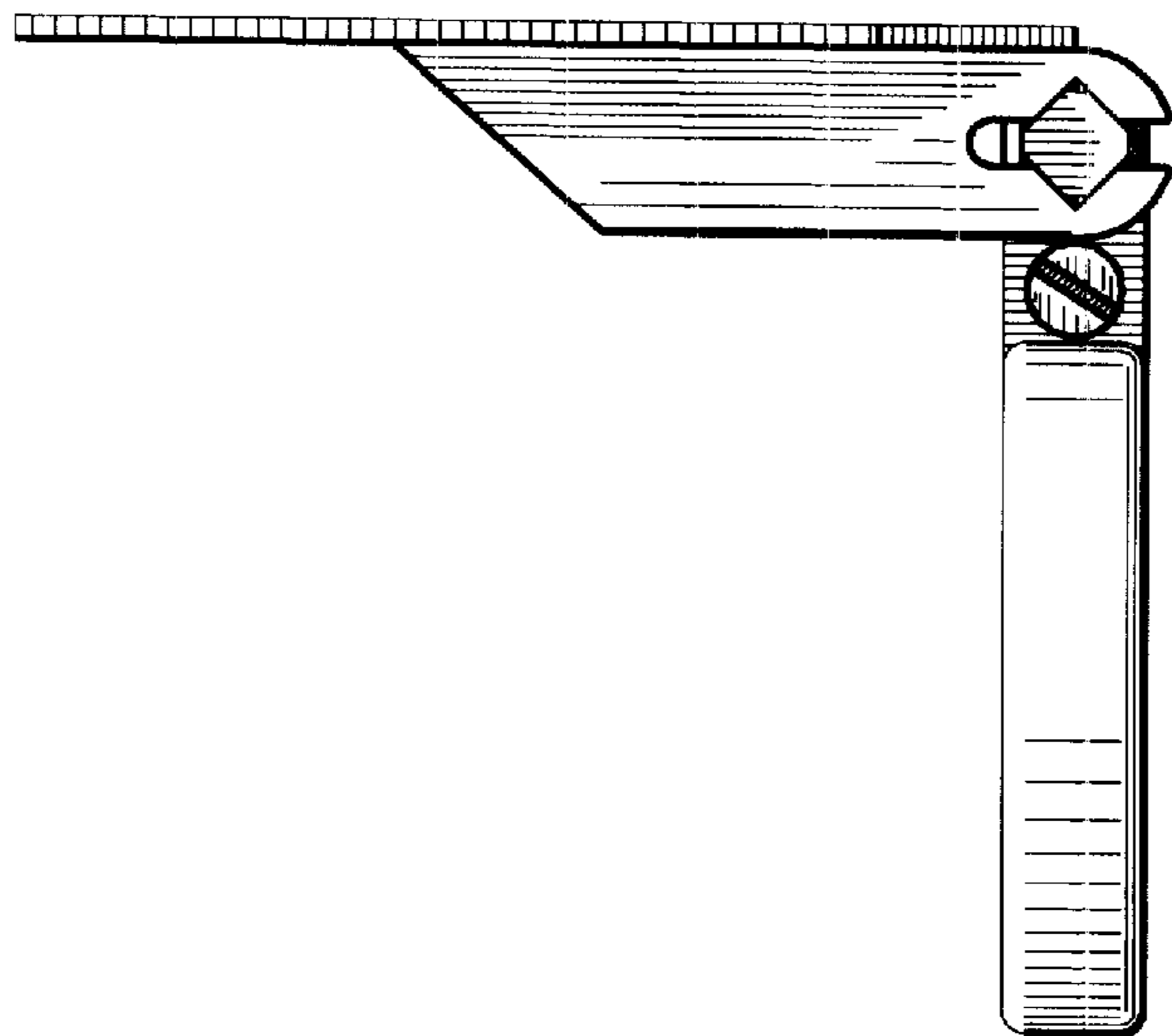


FIG. 12