



US00D406303S

United States Patent [19] Ramsey

[11] **Patent Number: Des. 406,303**

[45] **Date of Patent: **Mar. 2, 1999**

[54] **CAPPER AND HOLDER FOR PERCUSSION CAPS**

[76] Inventor: **Del Ramsey**, Rte. 6, Box 384, Harrison, Ark. 72601

[**] Term: **14 Years**

[21] Appl. No.: **79,336**

[22] Filed: **Nov. 12, 1997**

[51] **LOC (6) Cl.** **22-01**

[52] **U.S. Cl.** **D22/108; D22/100**

[58] **Field of Search** **D22/100, 108; 42/1.3, 51, 89, 94**

[56] **References Cited**

U.S. PATENT DOCUMENTS

D. 375,778	11/1996	Hasselbusch	D22/108
923,068	5/1909	Neal	42/89
1,181,034	4/1916	Prideaux	42/89
1,202,343	10/1916	Wesson et al.	42/89
2,142,918	1/1939	Rice, Jr.	42/89
4,507,889	4/1985	Allen	42/89
4,535,558	8/1985	Benesh	42/89

OTHER PUBLICATIONS

Traditions Performance Muzzleloading, 1997 collection, p. 20.

Mountain State Muzzleloading, Catalog No. 13, 1989-90, pp. 37-38.

Primary Examiner—Louis S. Zarfes

Assistant Examiner—Monica A. Weingart

Attorney, Agent, or Firm—Robert R. Keegan, Head, Johnson & Kachigian

[57] **CLAIM**

The ornamental design for a capper and holder for percussion caps, as shown and described.

DESCRIPTION

FIG. 1 is a perspective view of a capper and holder for percussion caps showing my new design;

FIG. 2 is a front elevational view thereof;

FIG. 3 is a top plan thereof;

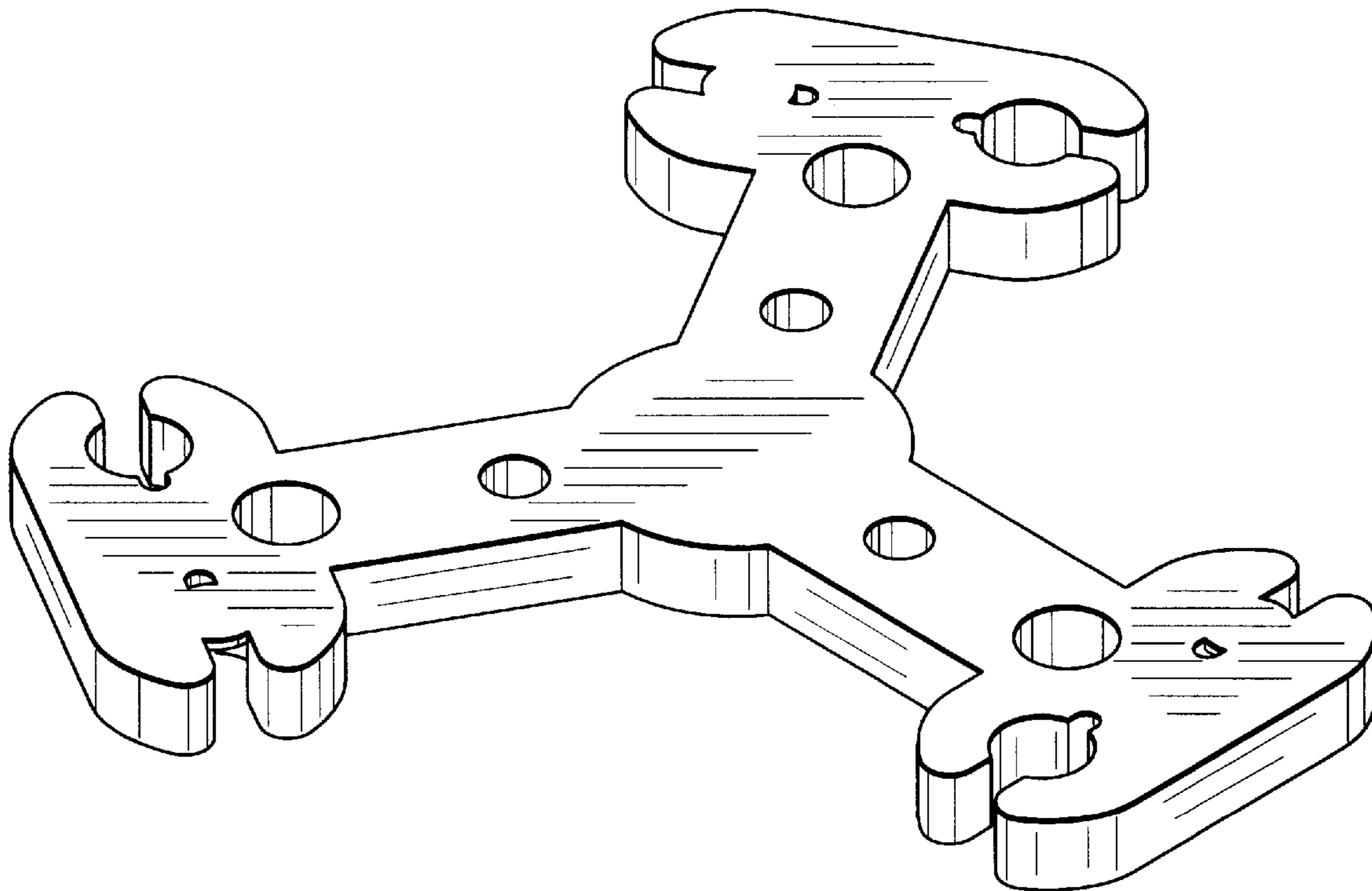
FIG. 4 is a bottom plan view thereof;

FIG. 5 is a right side elevational view thereof;

FIG. 6 is a left side elevational view thereof; and,

FIG. 7 is a rear elevational view thereof.

1 Claim, 2 Drawing Sheets



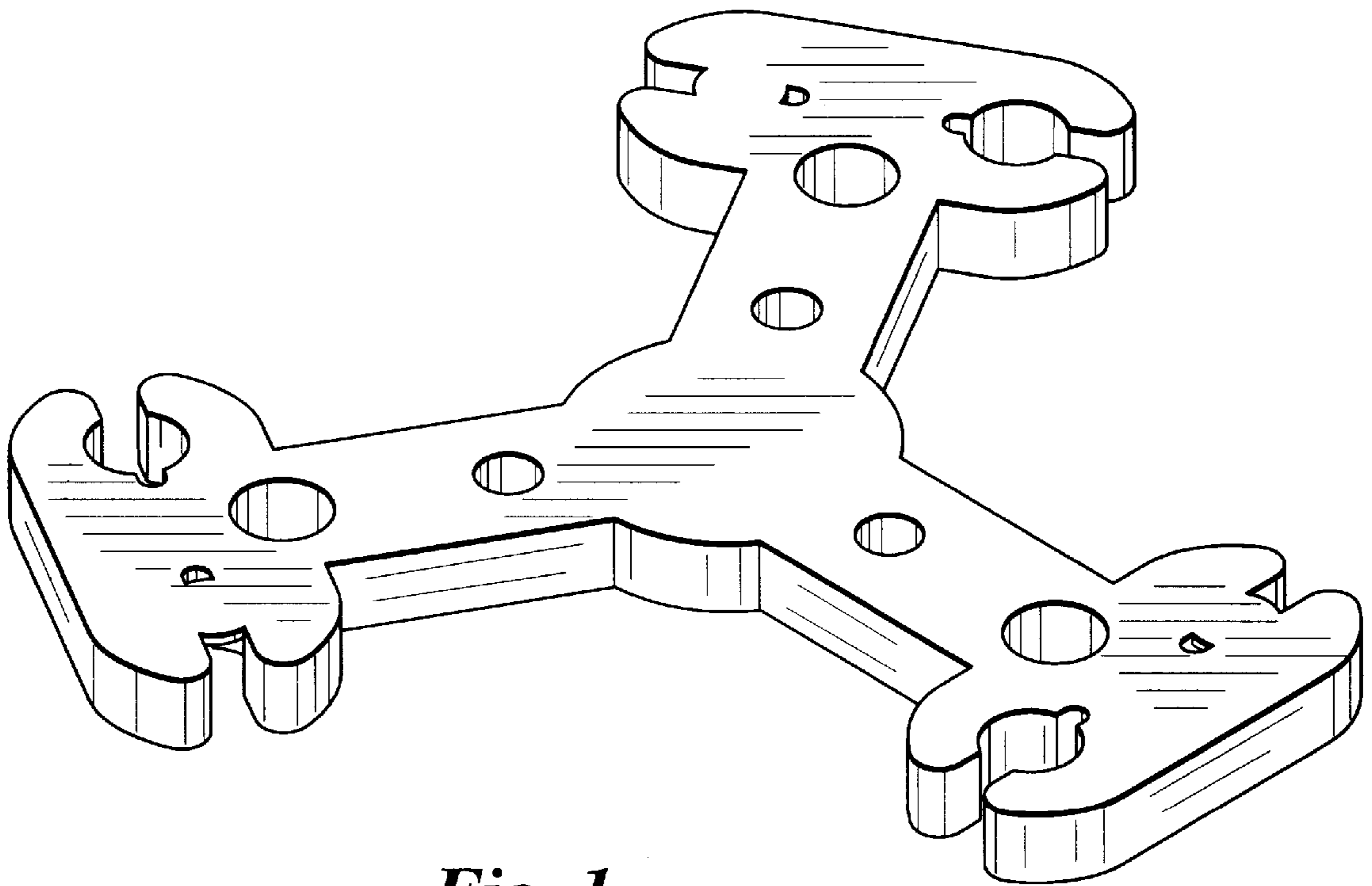


Fig. 1



Fig. 5

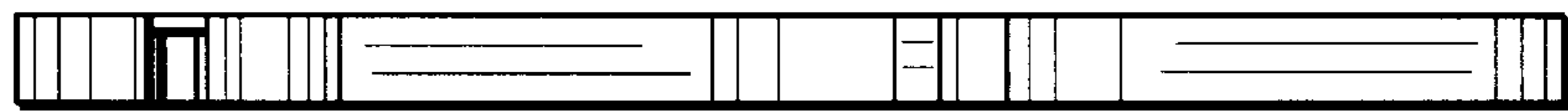


Fig. 6

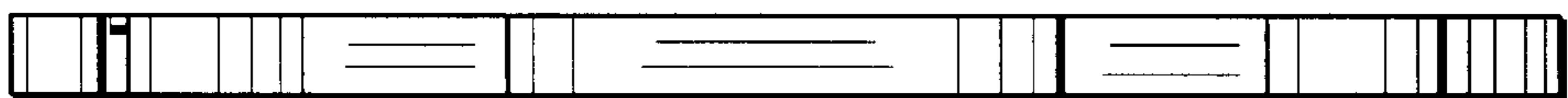


Fig. 7

Fig. 3

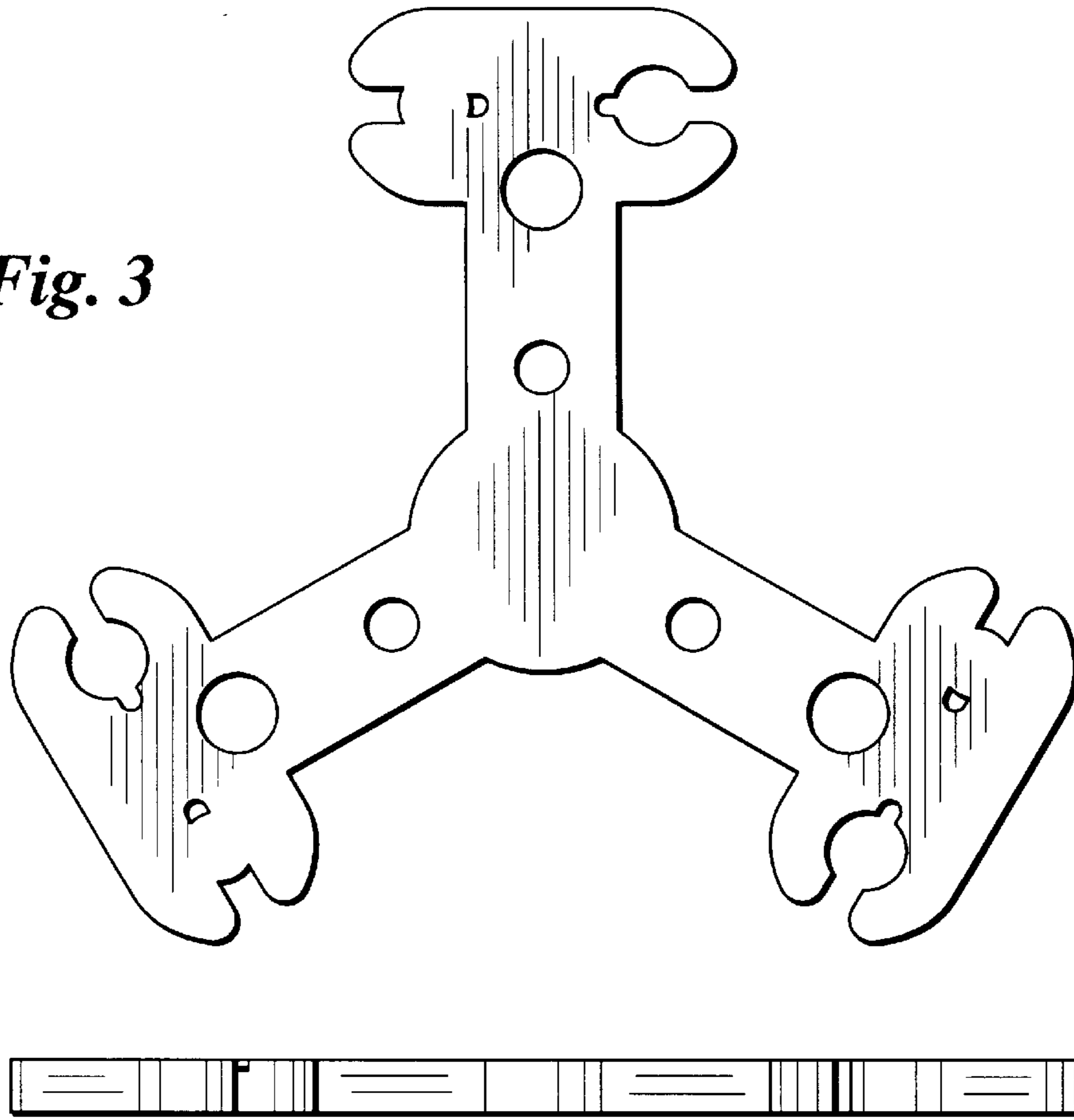


Fig. 2

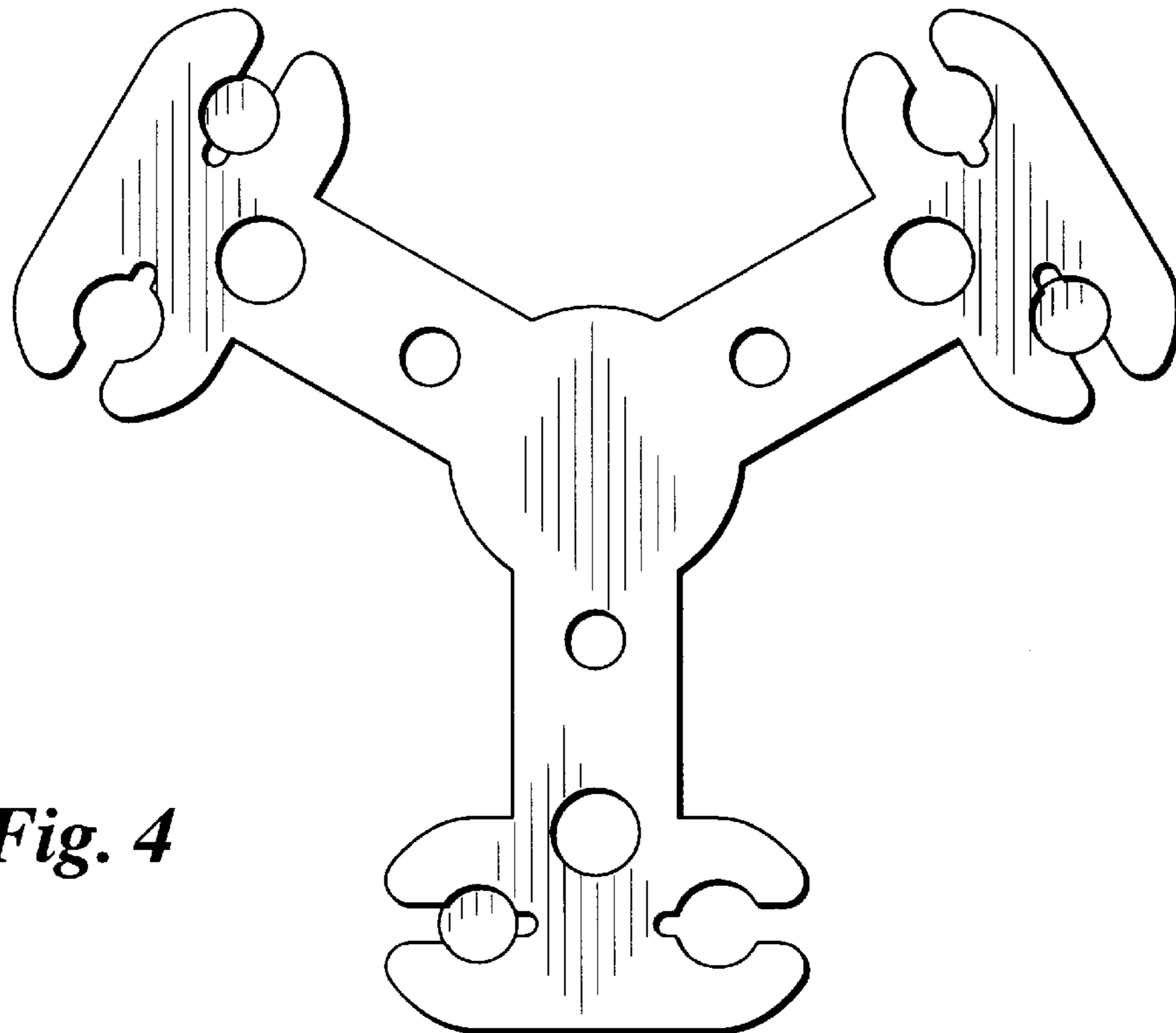


Fig. 4