



US00D406296S

United States Patent [19]

Rollinson et al.

[11] Patent Number: **Des. 406,296**

[45] Date of Patent: ****Mar. 2, 1999**

[54] **BACK SURFACE OF AN IRON-TYPE GOLF CLUB HEAD**

[75] Inventors: **Augustin W. Rollinson; Roger C. Cleveland; Thomas R. Hilton; Kevin L. Napolitano**, all of Carlsbad, Calif.

[73] Assignee: **Callaway Golf Company**, Carlsbad, Calif.

[**] Term: **14 Years**

[21] Appl. No.: **79,338**

[22] Filed: **Nov. 12, 1997**

[51] **LOC (6) Cl.** **21-02**

[52] **U.S. Cl.** **D21/753**

[58] **Field of Search** D21/217, 219, D21/220, 221; 473/350, 324, 327

[56] **References Cited**

U.S. PATENT DOCUMENTS

- D. 347,254 5/1994 Inuma .
- D. 353,644 12/1994 Hirsch et al. .
- D. 354,786 1/1995 Manning et al. .
- D. 360,445 7/1995 Schmidt et al. D21/220
- D. 362,041 9/1995 Takahashi et al. D21/220
- D. 366,082 1/1996 Dekura .
- D. 373,161 8/1996 Schmidt et al. D21/219
- D. 383,512 9/1997 Schmidt et al. D21/219

- D. 383,819 9/1997 Takahashi et al. D21/220
- D. 386,550 11/1997 Wright et al. D21/221
- D. 386,551 11/1997 Solheim et al. D1/221
- D. 387,405 12/1997 Solheim et al. D21/221
- 5,120,062 6/1992 Scheie et al. .
- 5,333,872 8/1994 Manning et al. .
- 5,375,840 12/1994 Hirsch et al. .
- 5,377,985 1/1995 Ohnishi 473/350
- 5,423,546 6/1995 Manning et al. .
- 5,497,995 3/1996 Swisshelm .
- 5,547,194 8/1996 Aizawa et al. .
- 5,595,552 1/1997 Wright et al. .

OTHER PUBLICATIONS

Ben Hogan Precision Club Fitting System Brochure for Medallion Metal Woods.

Primary Examiner—Mitchell I. Siegel
Attorney, Agent, or Firm—Lyon & Lyon LLP

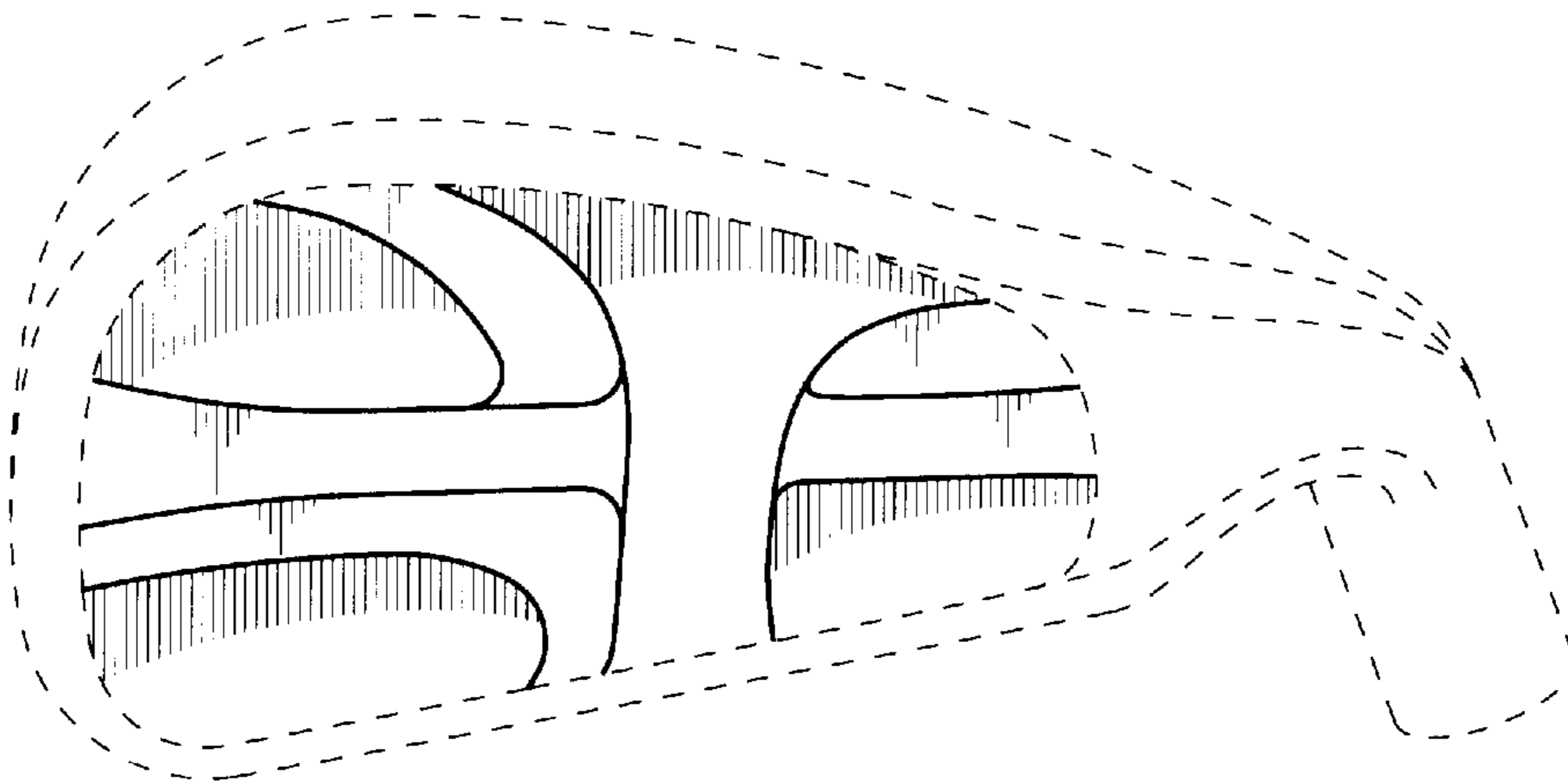
[57] **CLAIM**

The ornamental design for a back surface of an iron-type golf club head, as shown and described.

DESCRIPTION

FIG. 1 is a rear elevational view of a back surface of an iron-type golf club head of the present invention, the broken lines are for illustrative purposes only and form no part of the claimed design.

1 Claim, 1 Drawing Sheet



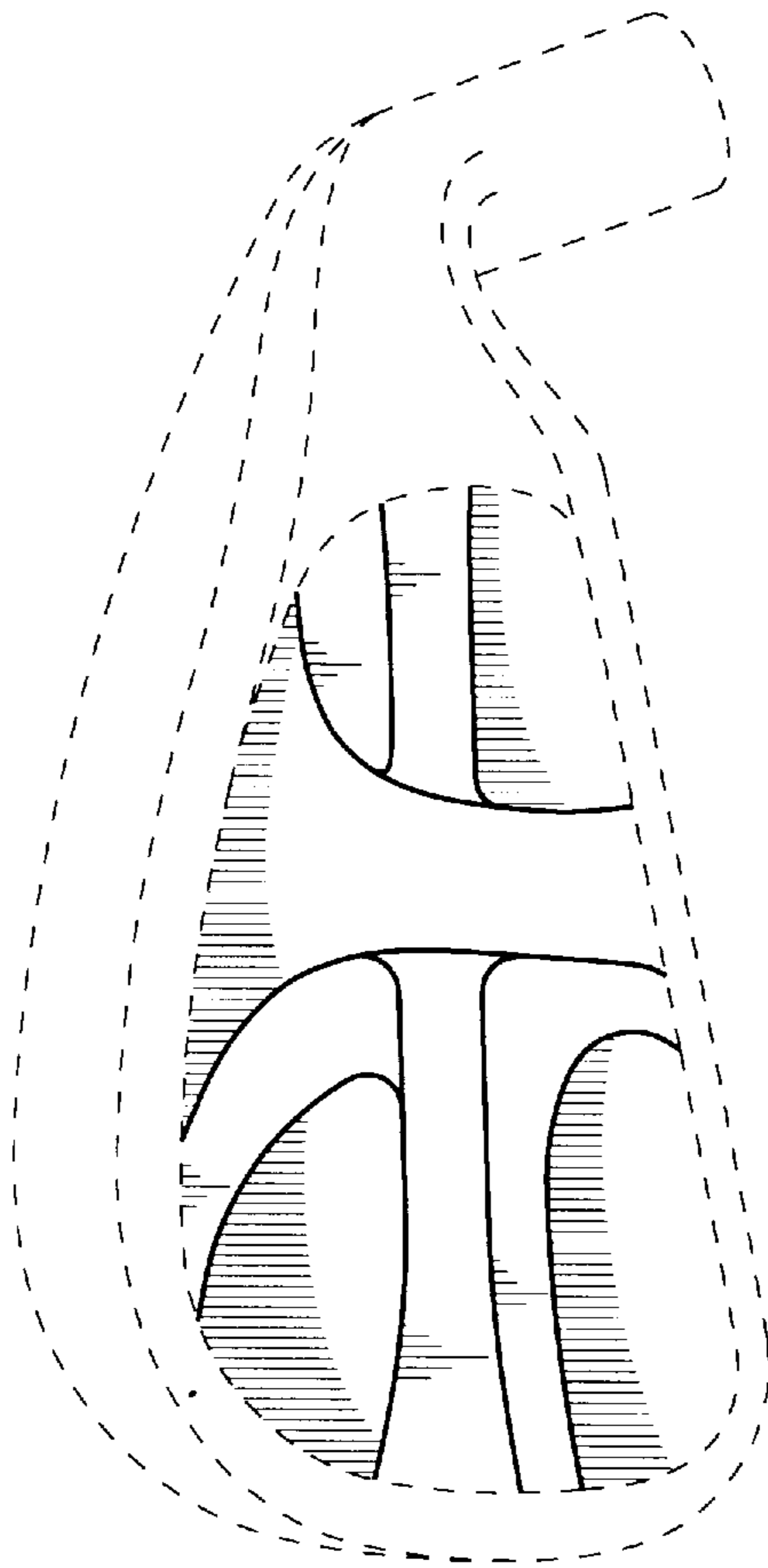


FIG. 1