



US00D406290S

**United States Patent** [19]  
**McBride**

[11] **Patent Number: Des. 406,290**  
[45] **Date of Patent: \*\*Mar. 2, 1999**

[54] **MULTI-PURPOSE EXERCISE BENCH**

**DESCRIPTION**

[75] Inventor: **Robert W. McBride**, Springfield, Mo.

[73] Assignee: **Stamina Products, Inc.**, Springfield, Mo.

[\*\*] Term: **14 Years**

[21] Appl. No.: **82,362**

[22] Filed: **Jan. 21, 1998**

[51] **LOC (6) Cl.** ..... **21-02**

[52] **U.S. Cl.** ..... **D21/690; D21/676**

[58] **Field of Search** ..... D21/662, 690,  
D21/676, 686; 482/52, 137, 142, 104

[56] **References Cited**

**U.S. PATENT DOCUMENTS**

D. 262,810	1/1982	Lynn	.....	D21/676
D. 366,917	2/1996	Clem	.....	D21/690
5,042,801	8/1991	Sterba et al.	.....	482/137
5,160,305	11/1992	Lin	.....	482/57
5,320,592	6/1994	Olschansky et al.	.....	482/142
5,637,059	6/1997	Dalebout	.....	482/52
5,649,886	7/1997	Danylieko	.....	482/142

*Primary Examiner*—Philip S. Hyder  
*Attorney, Agent, or Firm*—Pillsbury Madison & Sutro LLP

[57] **CLAIM**

The ornamental design for a multi-purpose exercise bench, as shown and described.

FIG. 1 is a perspective view of a multi purpose exercise bench arranged in a flat bench configuration, with a pivoting seat thereof set in a lowered configuration, showing my design;

FIG. 2 is a side elevation thereof;

FIG. 3 is a front end elevation thereof;

FIG. 4 is a back end elevation thereof;

FIG. 5 is a top plan view thereof;

FIG. 6 is a bottom plan view thereof;

FIG. 7 is a perspective view of the multi purpose exercise bench arranged in a slant board configuration with the pivoting seat set at an intermediate position;

FIG. 8 is a side elevation thereof;

FIG. 9 is a front end elevation thereof;

FIG. 10 is a back end elevation thereof;

FIG. 11 is a top plan view thereof;

FIG. 12 is a bottom plan view thereof;

FIG. 13 is a perspective view of the multi-purpose exercise bench arranged in an incline bench configuration with the pivoting seat assembly set at an uppermost position;

FIG. 14 is a side-elevation thereof;

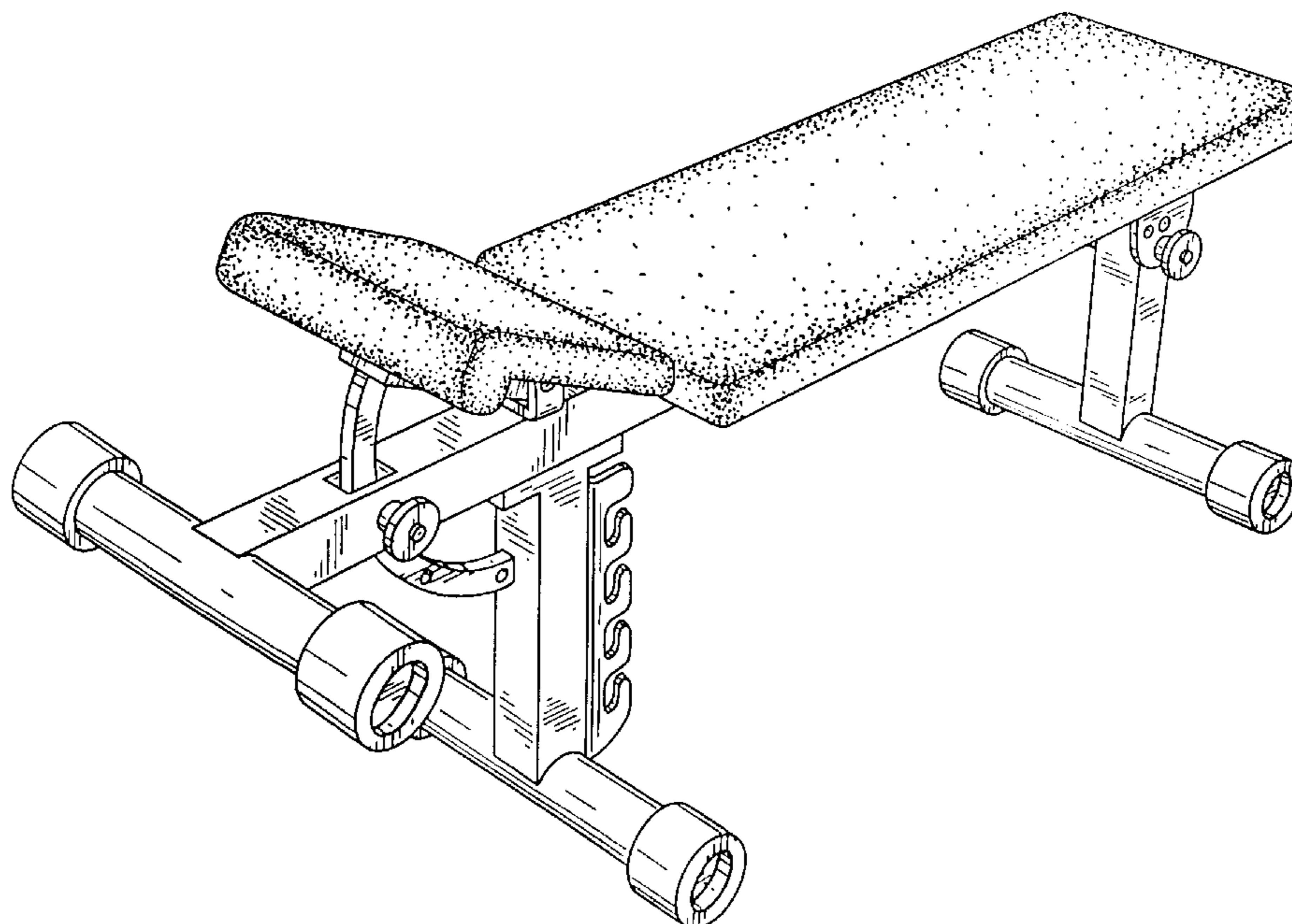
FIG. 15 is a front-end elevation thereof;

FIG. 16 is a back-end elevation thereof;

FIG. 17 is a top plan view thereof; and,

FIG. 18 is a bottom plan view thereof.

**1 Claim, 12 Drawing Sheets**



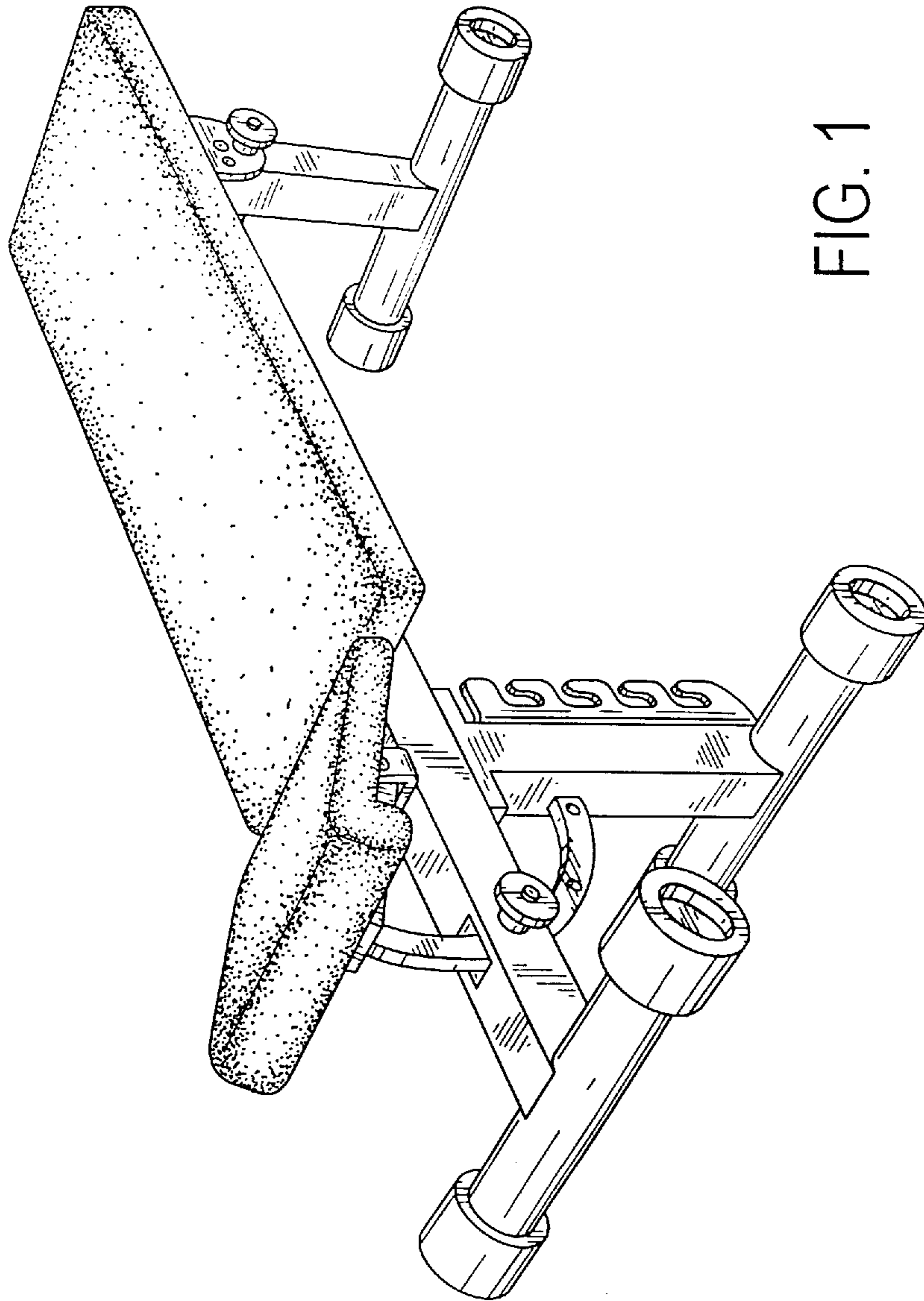


FIG. 1

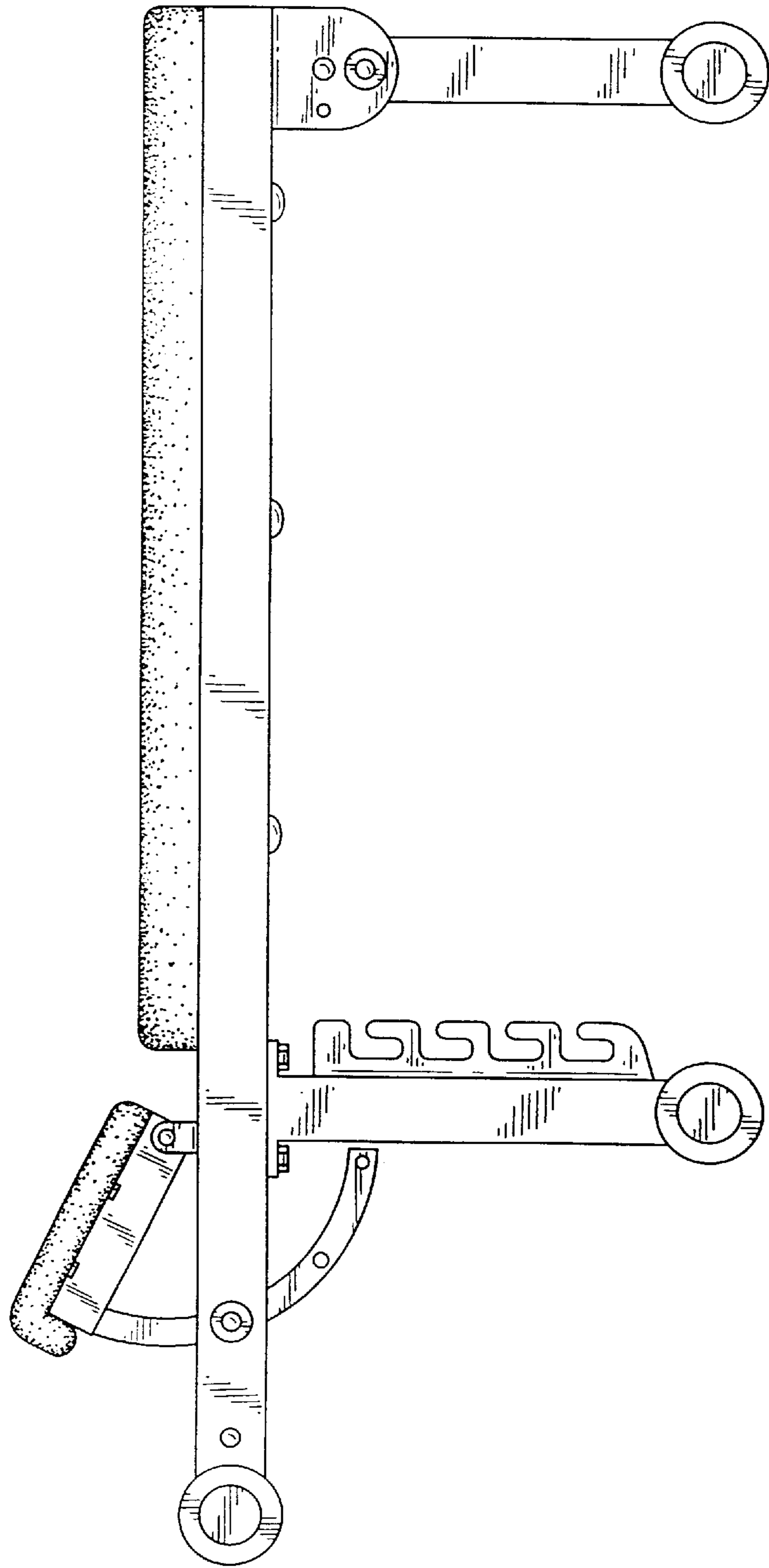


FIG. 2

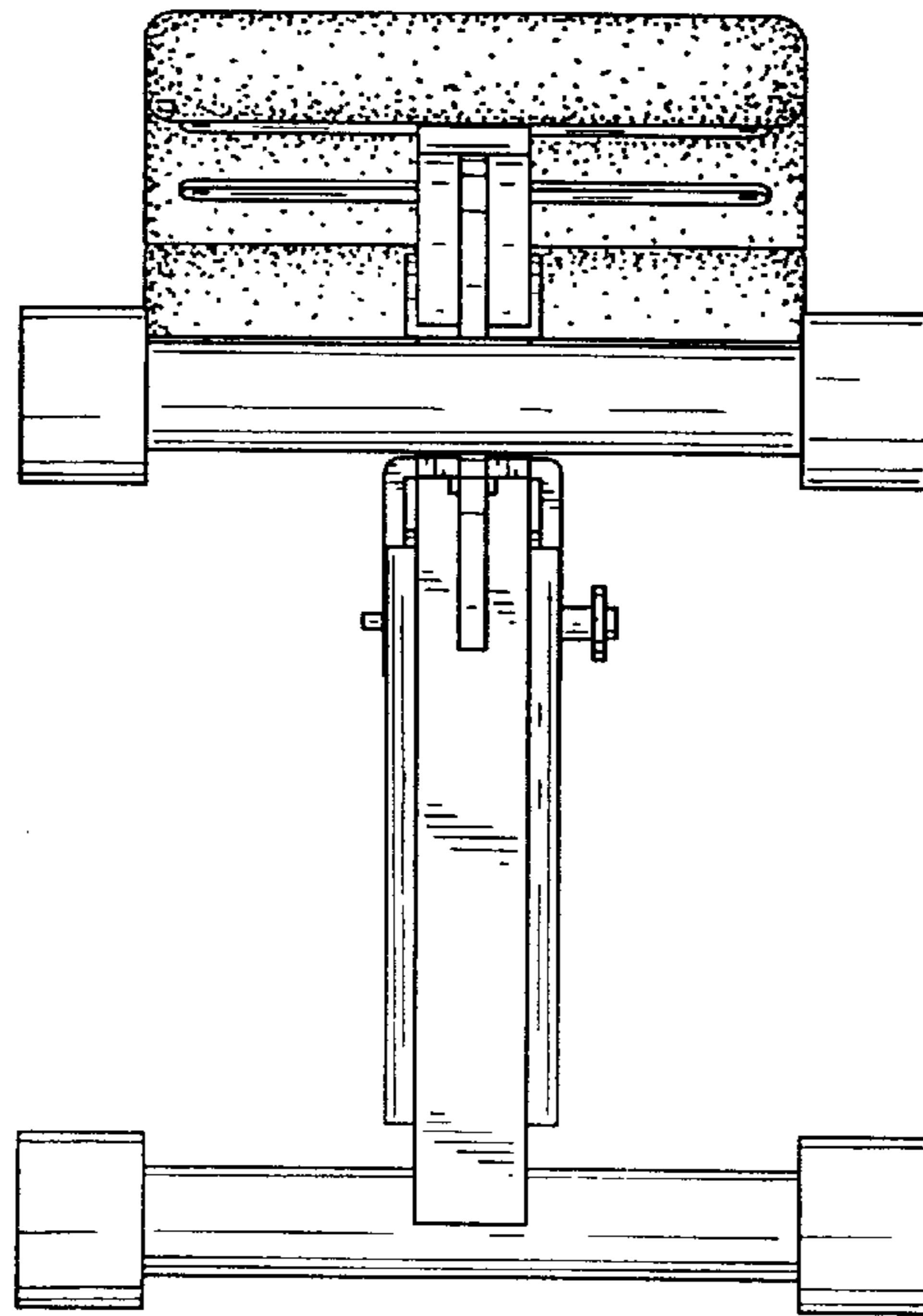


FIG. 3

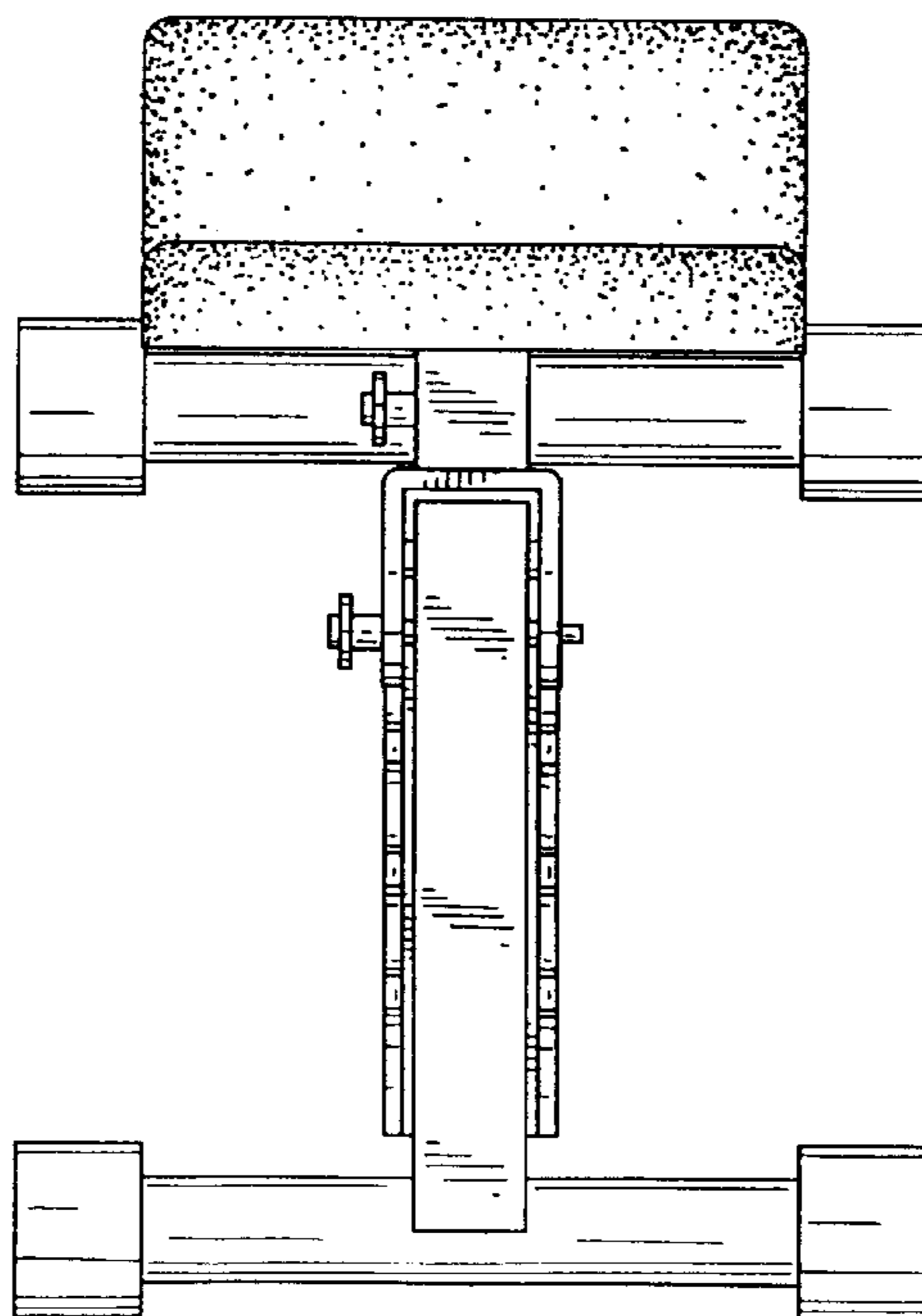


FIG. 4

FIG. 5

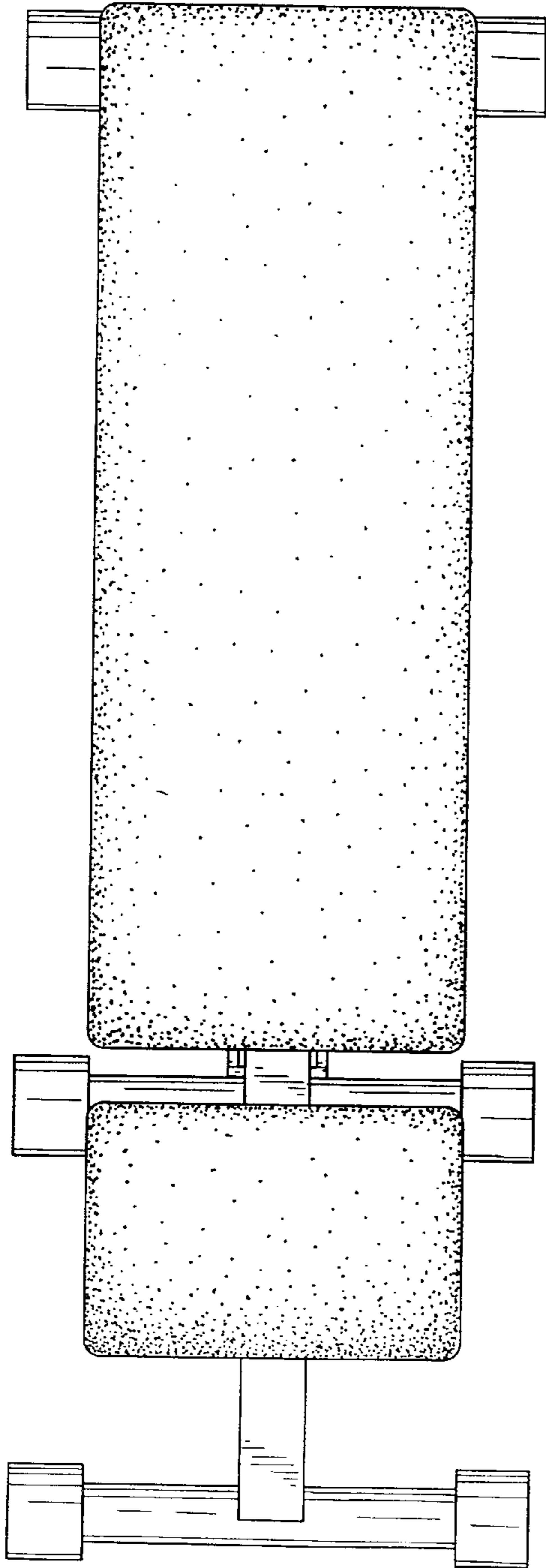
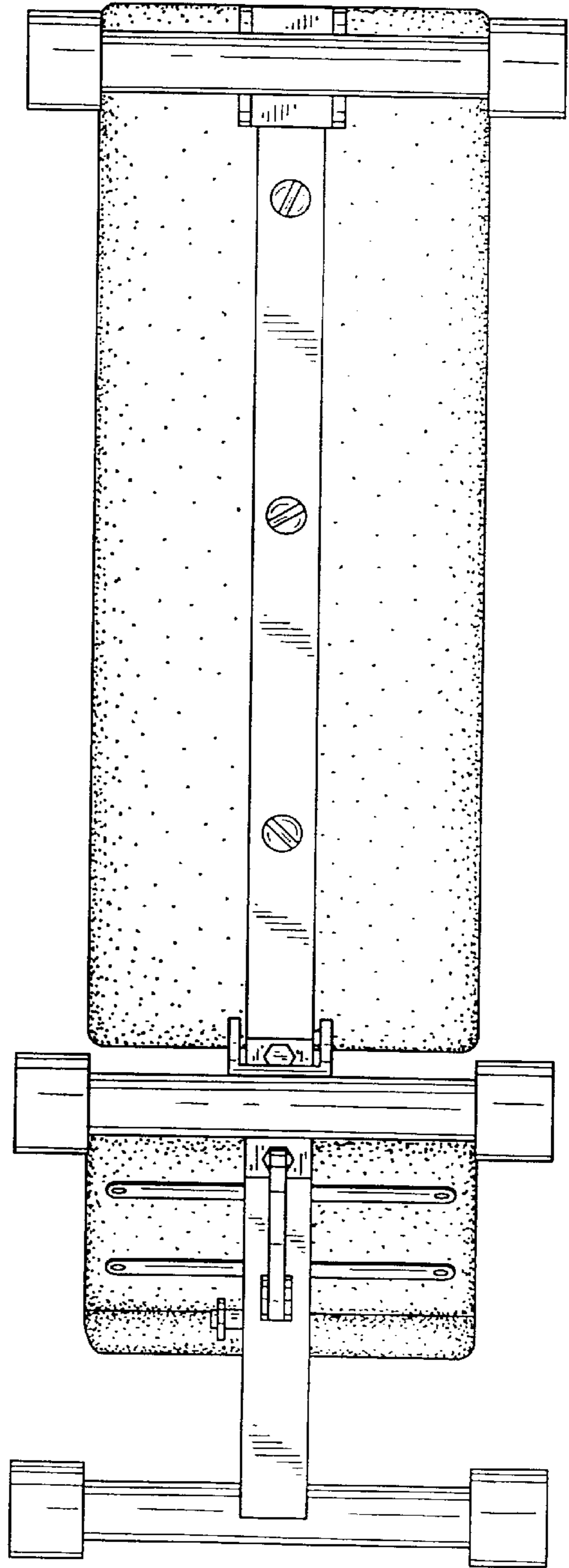


FIG. 6



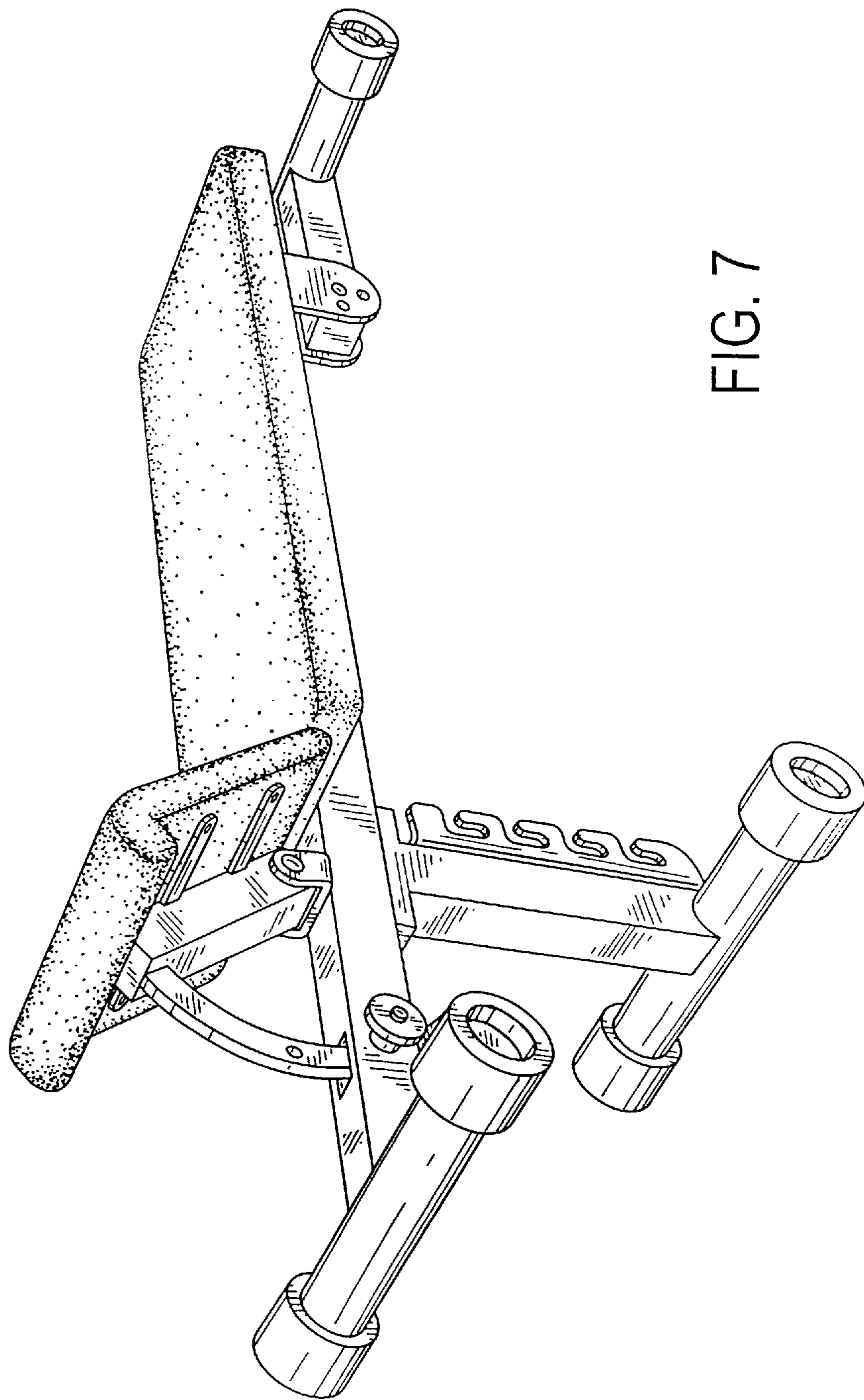


FIG. 7

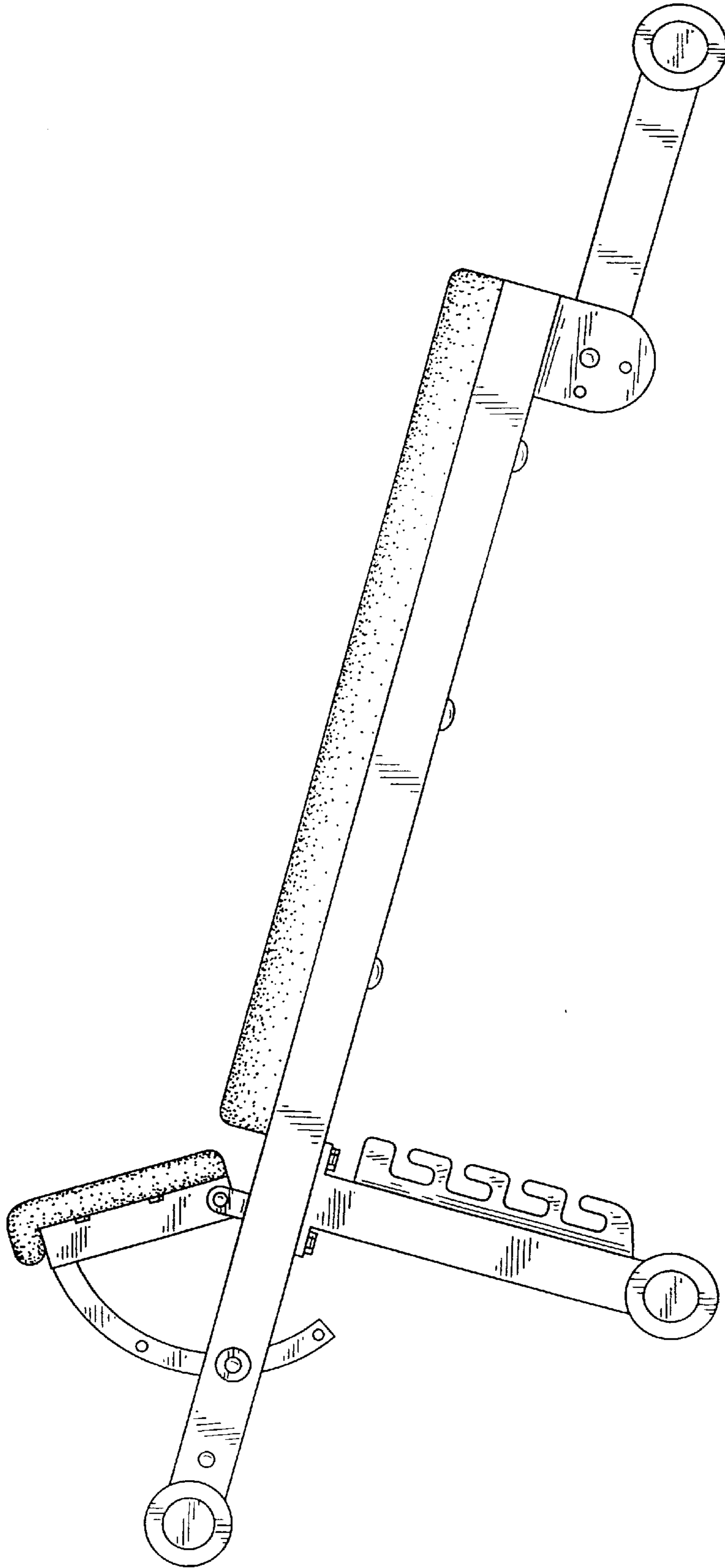


FIG. 8

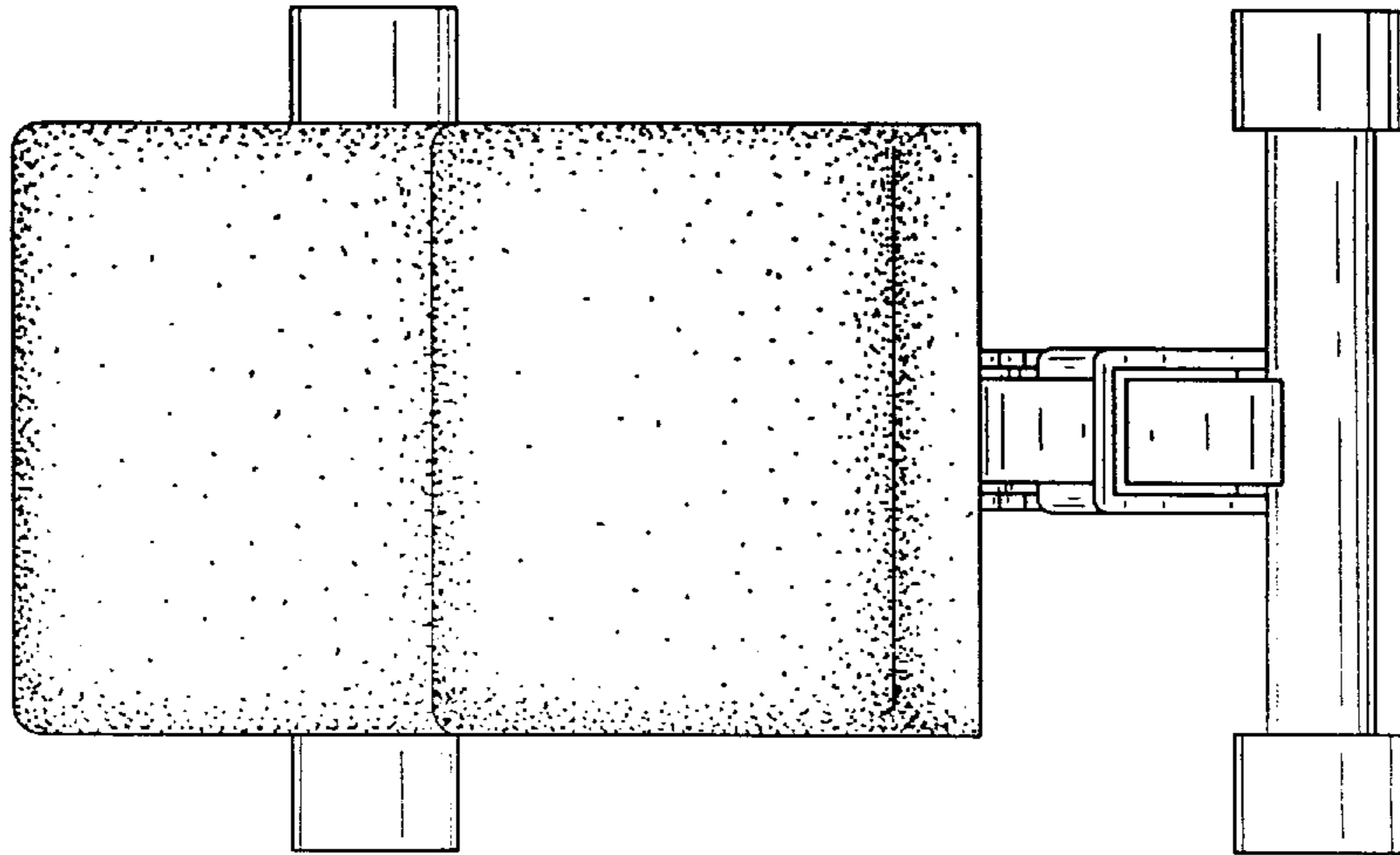


FIG. 10

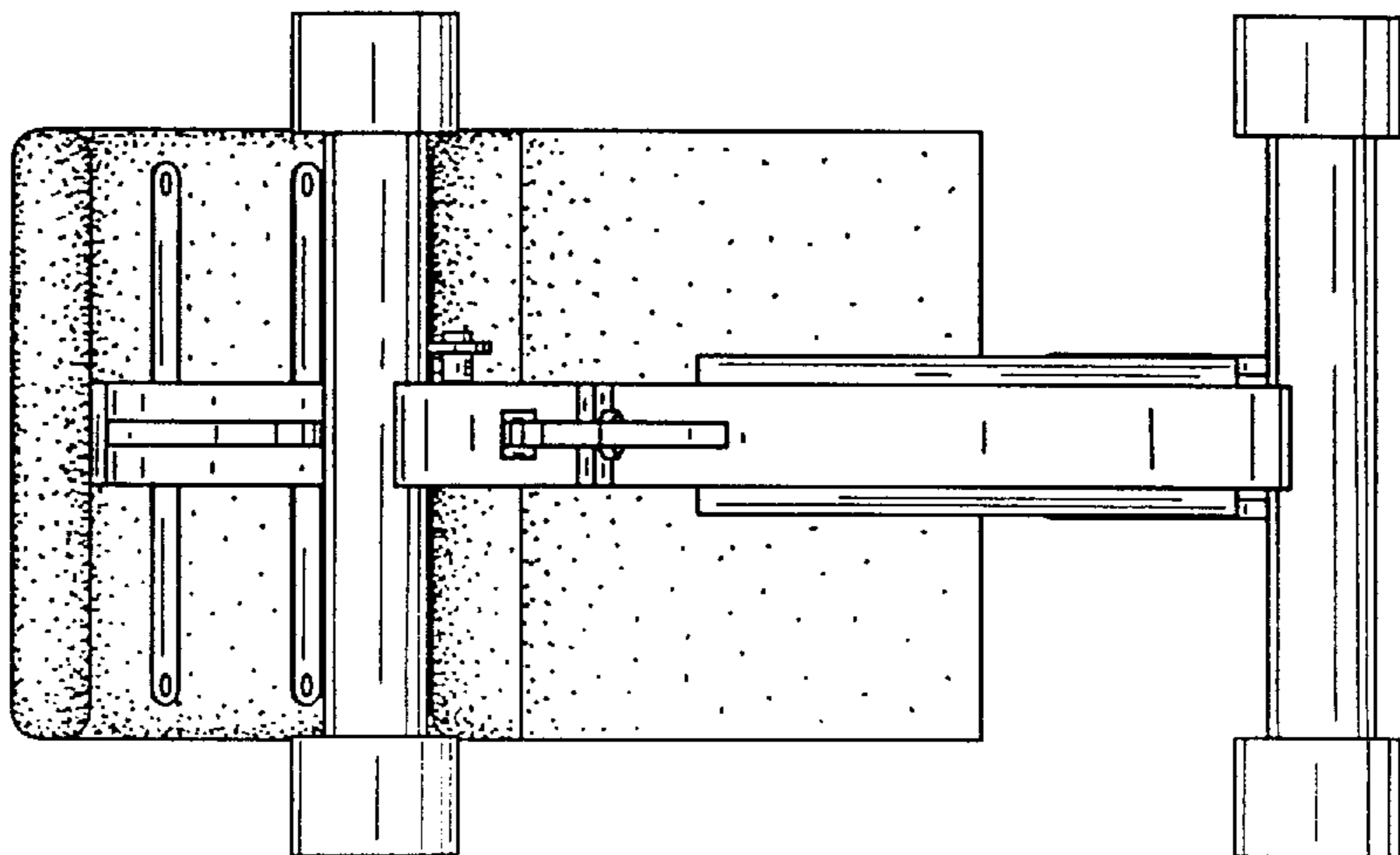


FIG. 9



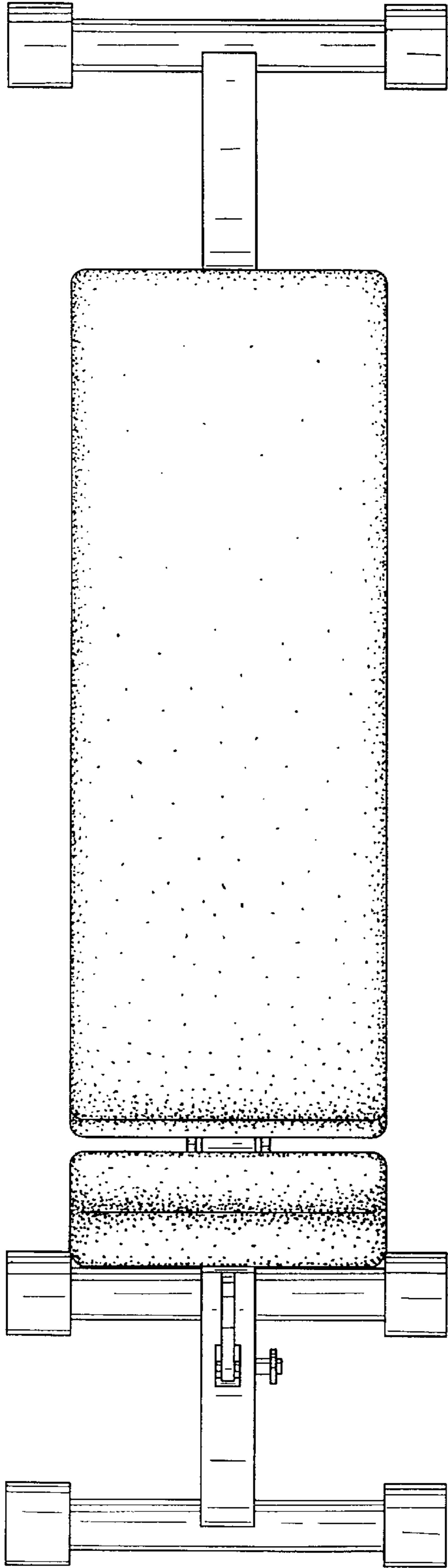


FIG. 11

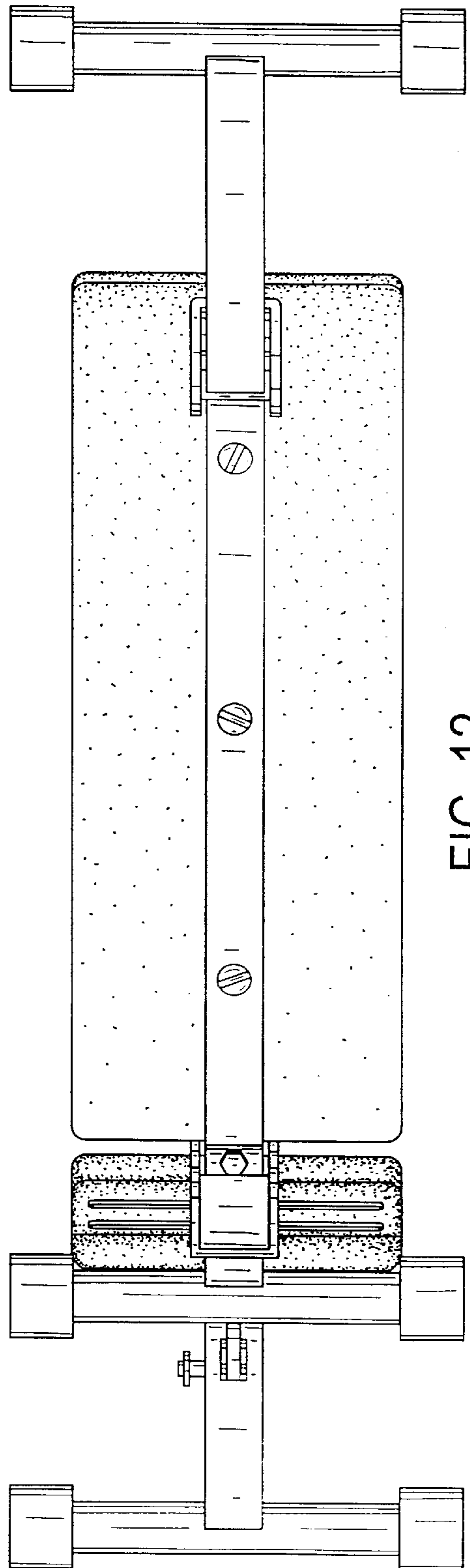


FIG. 12

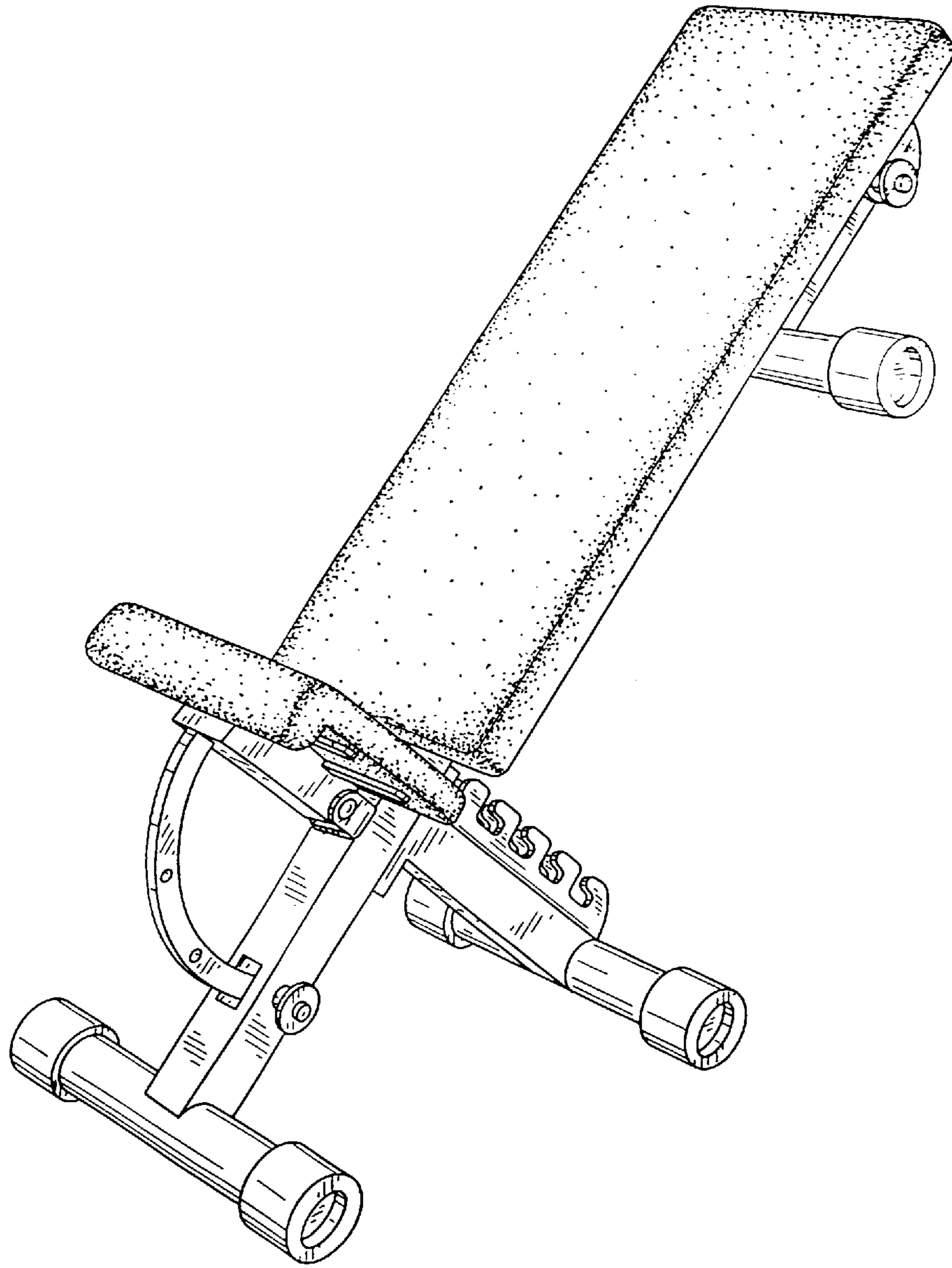


FIG. 13

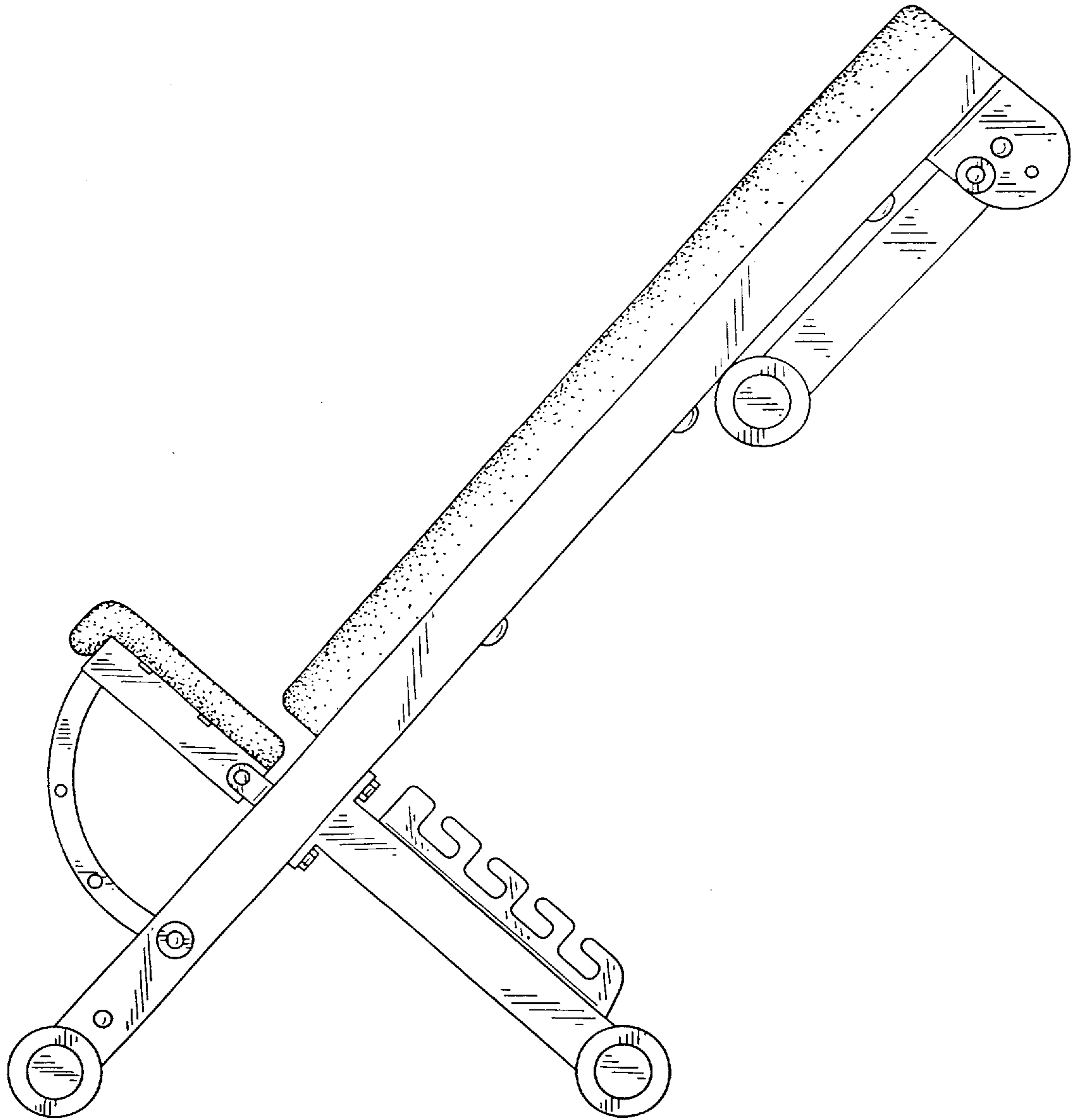
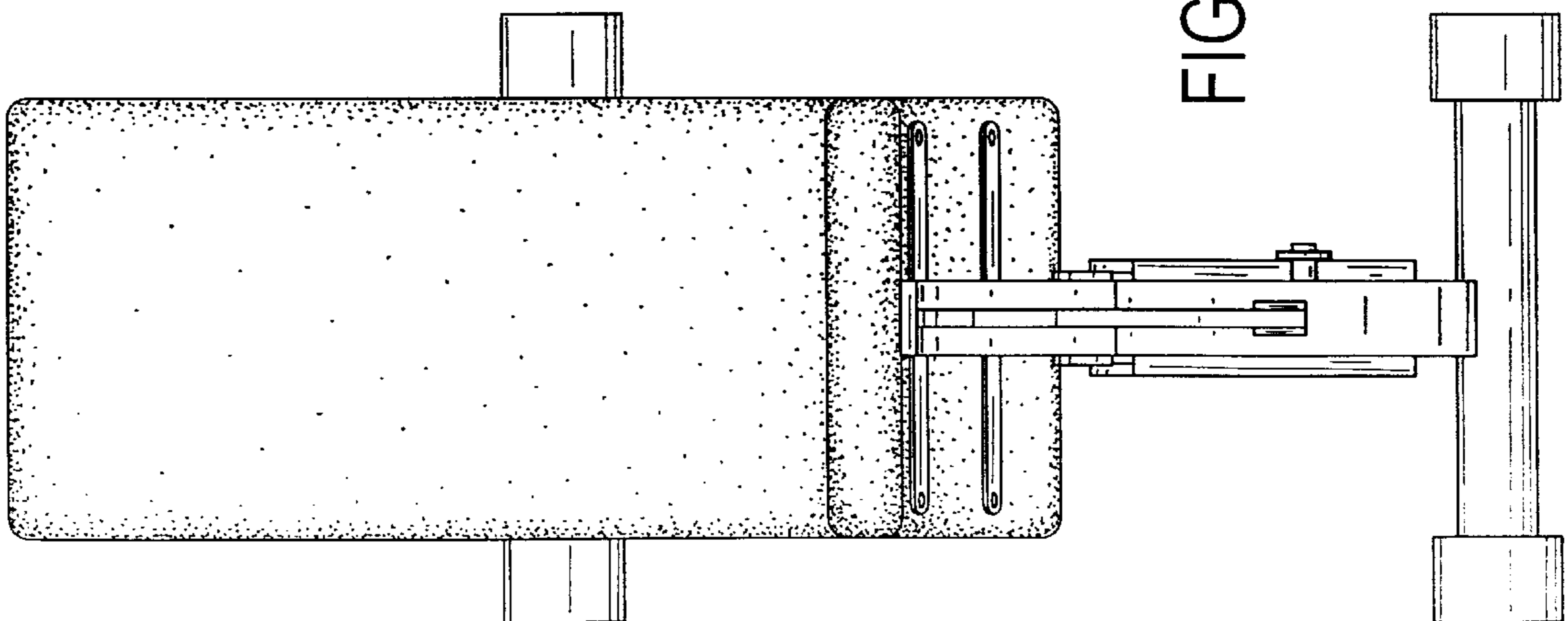
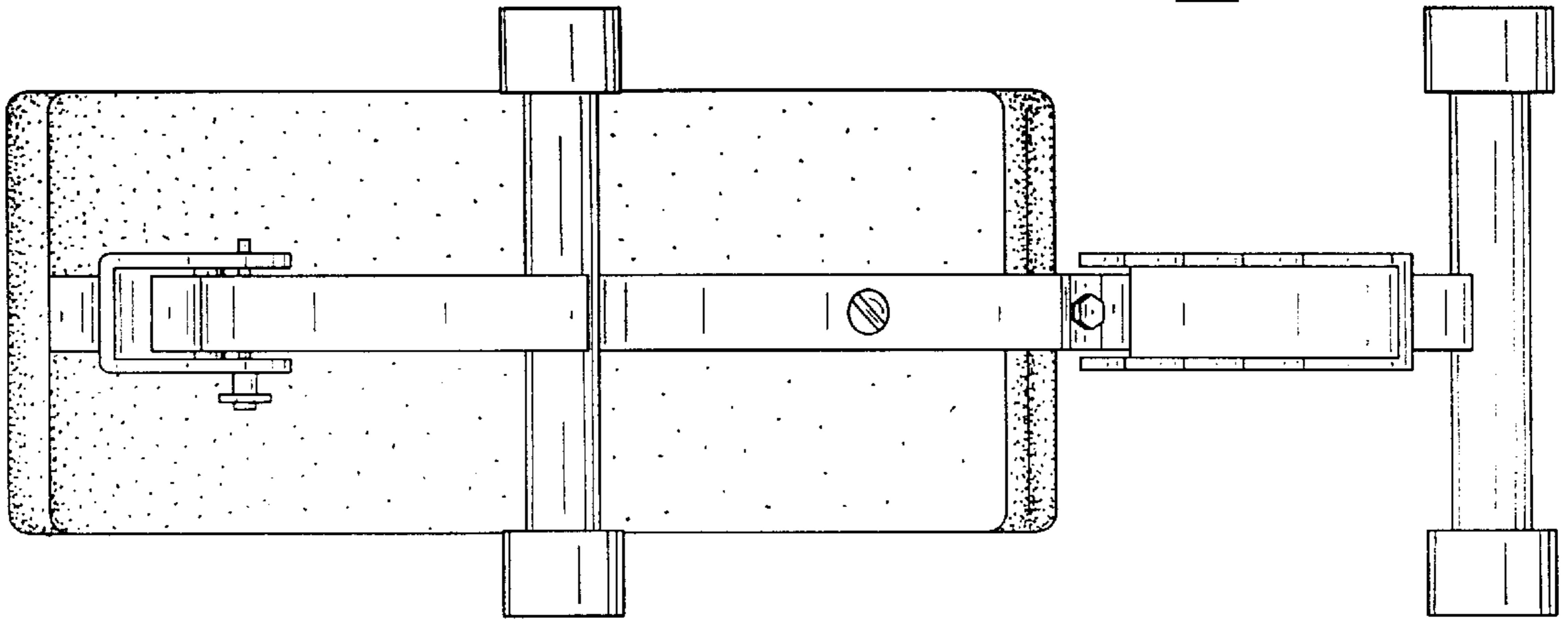


FIG. 14



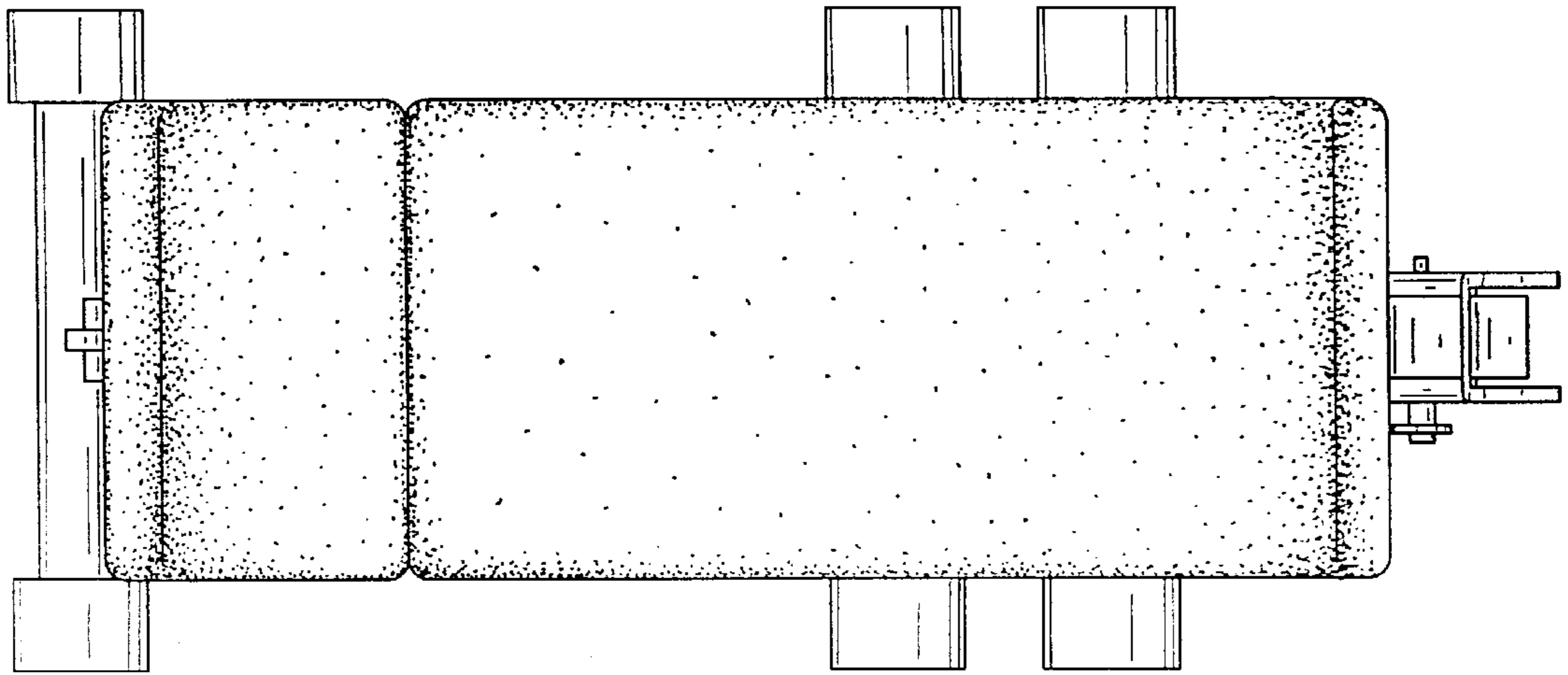


FIG. 17

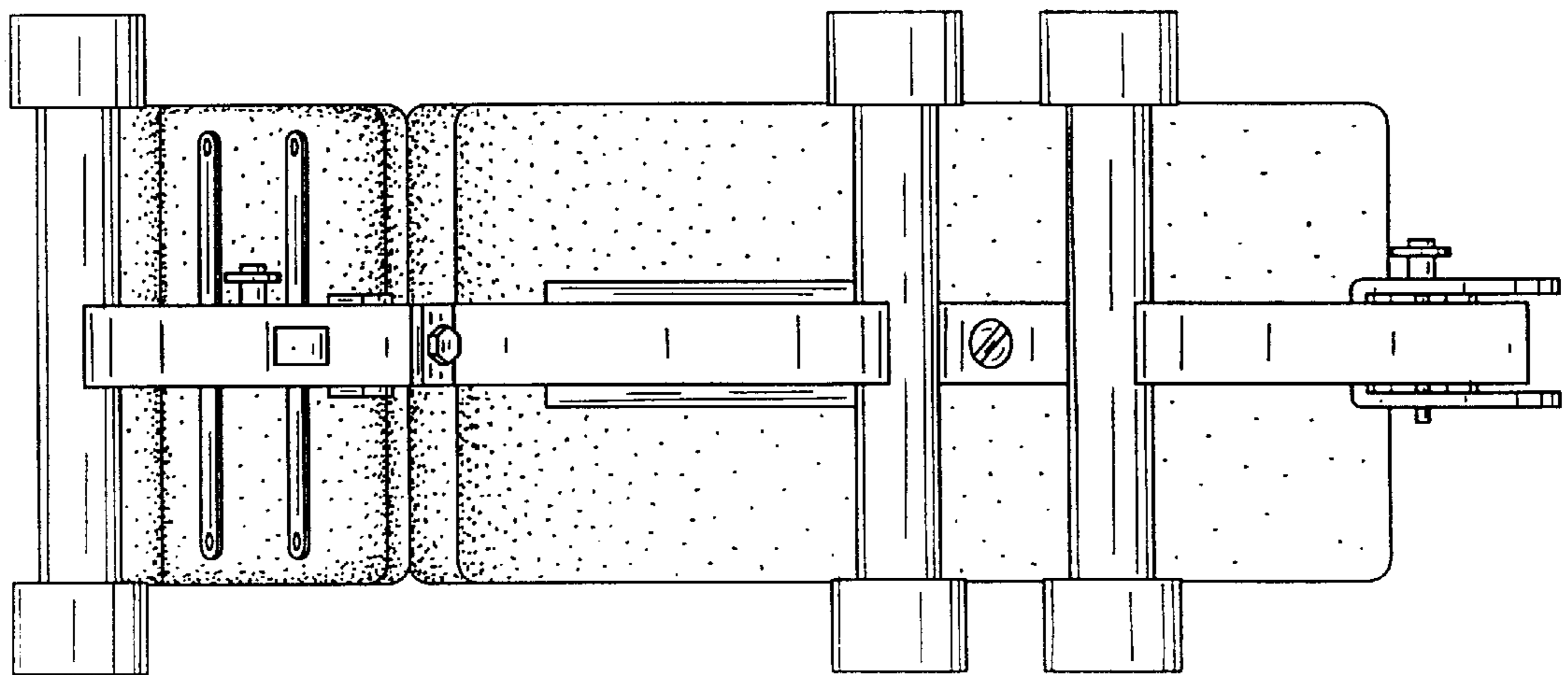


FIG. 18