



US00D406289S

United States Patent [19]
Hwang

[11] **Patent Number: Des. 406,289**

[45] **Date of Patent: **Mar. 2, 1999**

[54] **STEPPING EXERCISER**

[76] Inventor: **Sunny Hwang**, No. 118, Sec. 3, Yia Tan Road, Dong Bau Tsuen, Tanzu Hsiang, Taichung Hsien, Taiwan

[**] Term: **14 Years**

[21] Appl. No.: **83,917**

[22] Filed: **Feb. 20, 1998**

[51] **LOC (6) Cl.** **21-02**

[52] **U.S. Cl.** **D21/668; D21/665**

[58] **Field of Search** D21/662, 668, D21/670, 665; 482/51, 52, 53, 54, 57

[56] **References Cited**

U.S. PATENT DOCUMENTS

- D. 330,236 10/1992 Jarriel et al. D21/665
- D. 372,282 7/1996 Pasero et al. D21/670
- D. 388,847 1/1998 Whan-Tong et al. D21/670

5,573,480 11/1996 Rodgers, Jr. 482/52

5,611,756 3/1997 Miller 482/57

5,685,804 11/1997 Whan-Tong et al. 482/57

Primary Examiner—Philip S. Hyder

[57] **CLAIM**

The ornamental design for a stepping exerciser, as shown and described.

DESCRIPTION

FIG. 1 is a perspective view of a stepping exerciser showing my new design;

FIG. 2 is a front elevational view thereof;

FIG. 3 is a rear elevational view thereof;

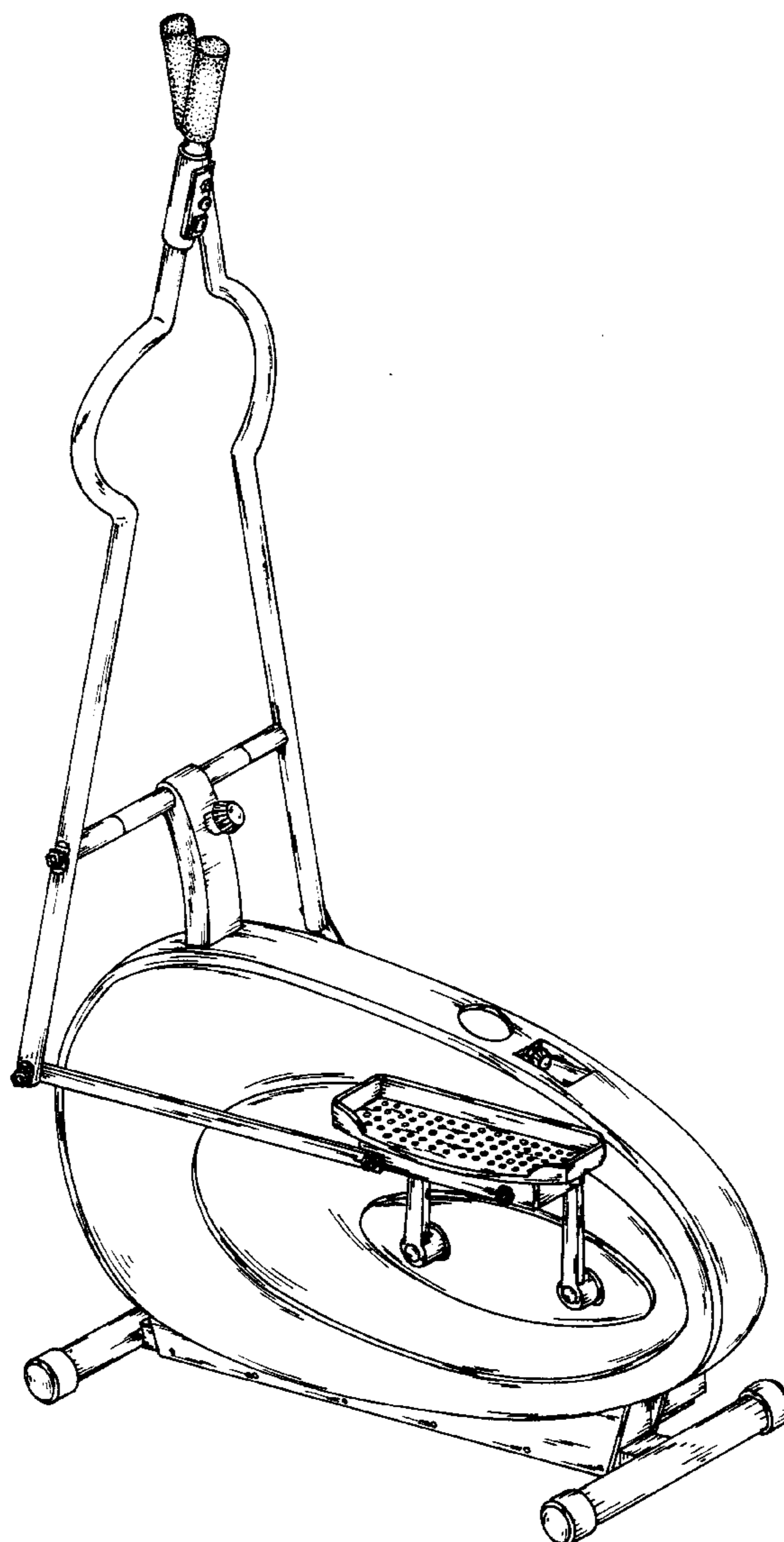
FIG. 4 is a left side elevational view thereof;

FIG. 5 is a right side elevational view thereof;

FIG. 6 is a top plan view thereof; and,

FIG. 7 is a bottom plan view thereof.

1 Claim, 5 Drawing Sheets



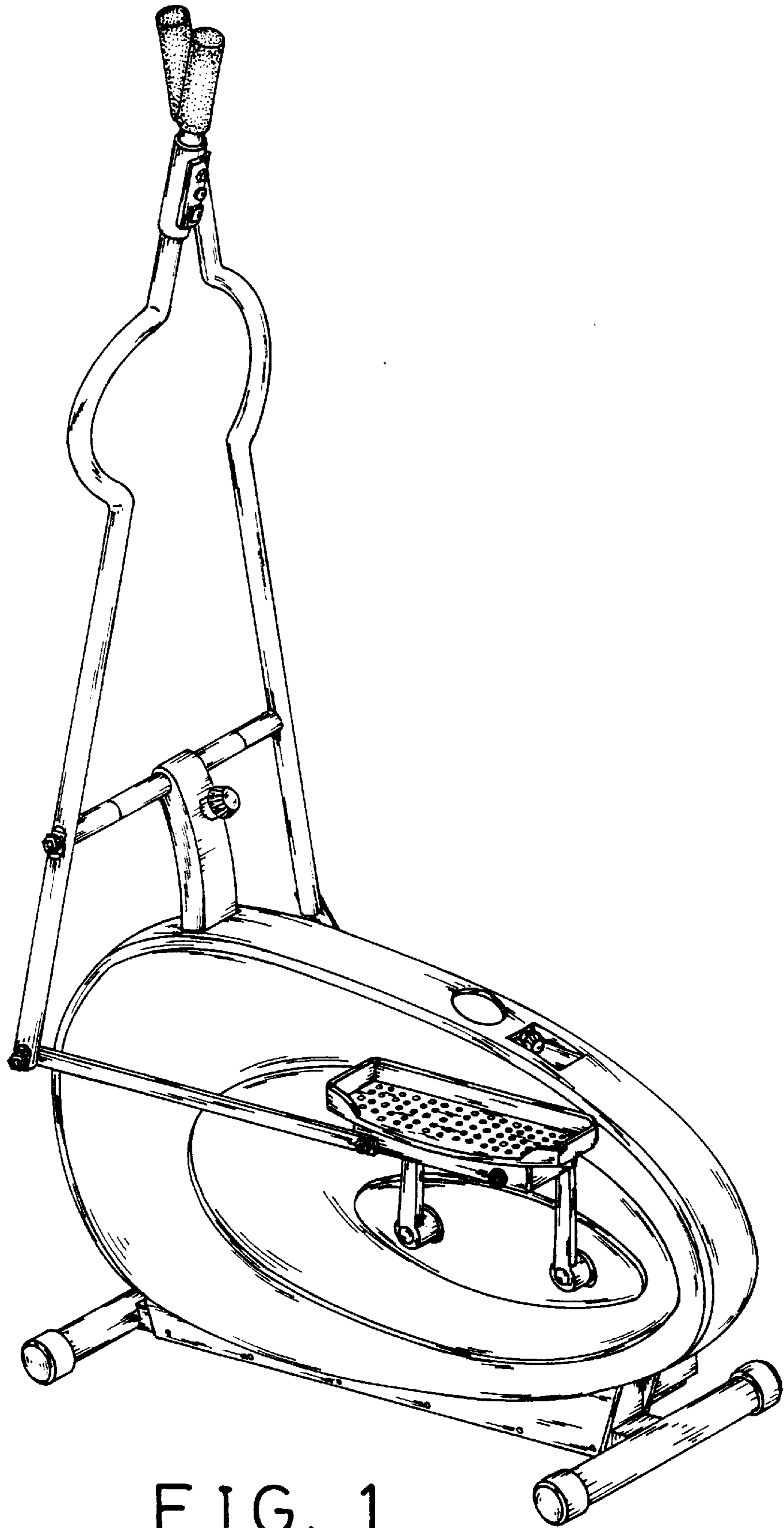


FIG. 1

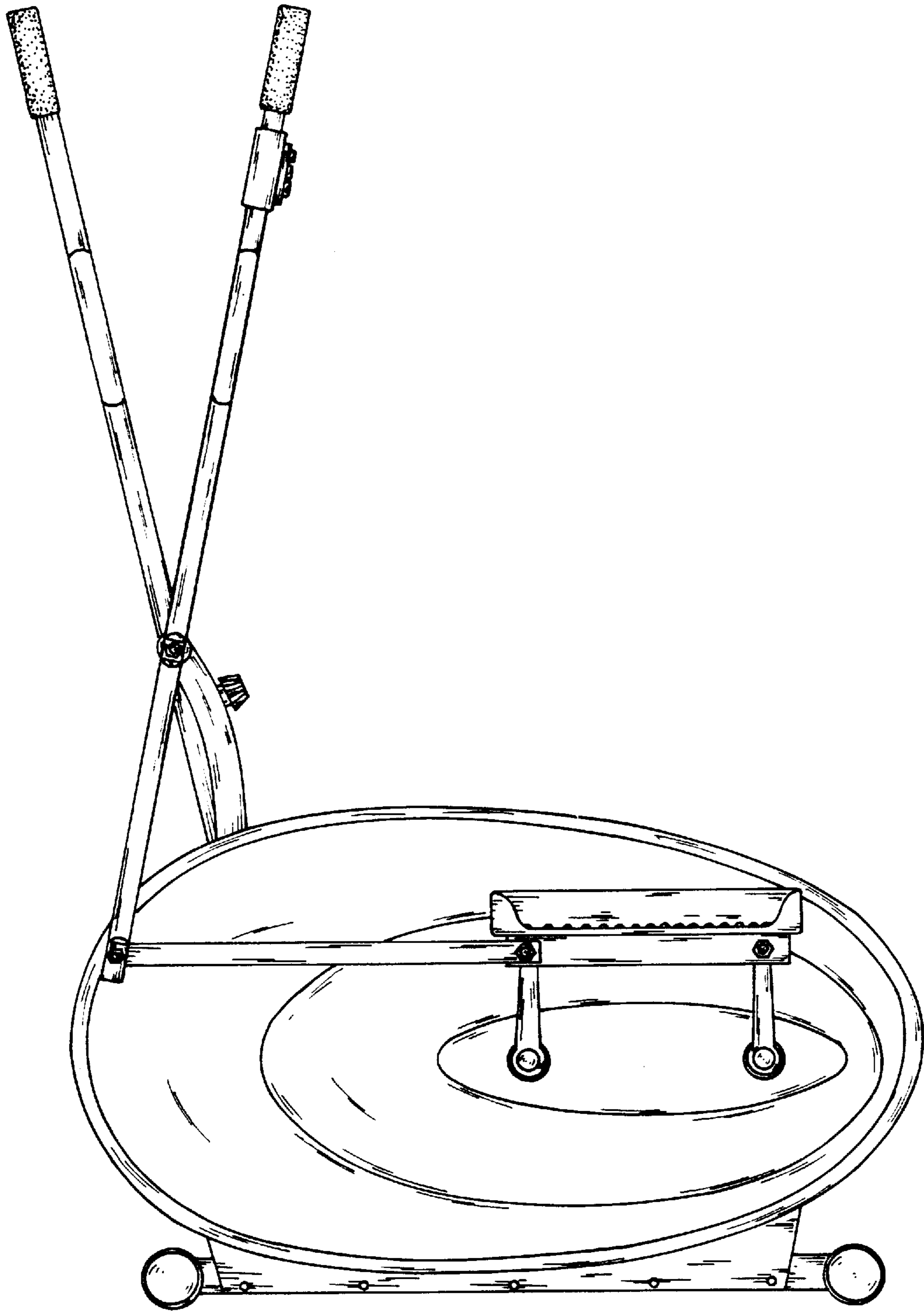


FIG. 2

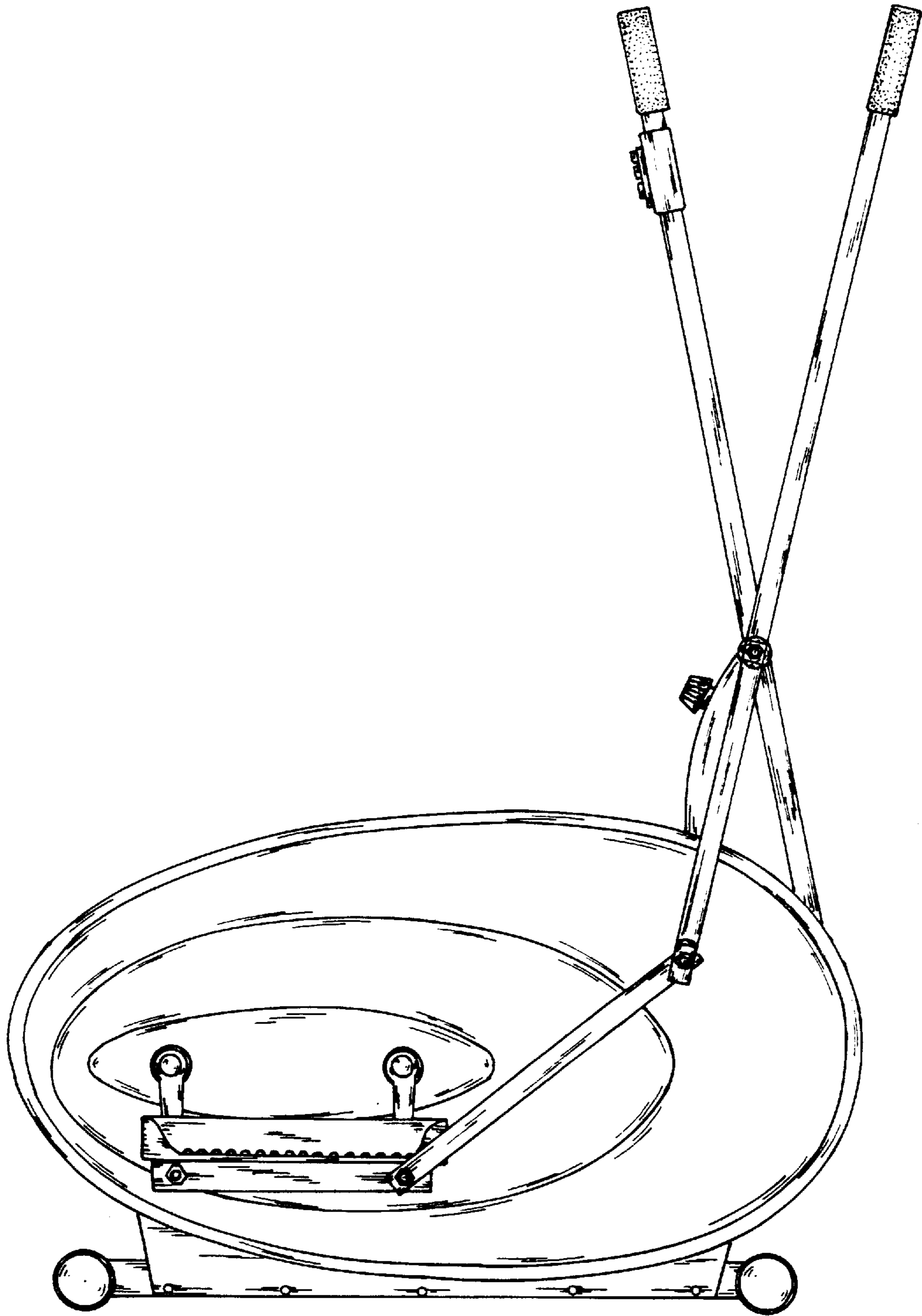


FIG. 3

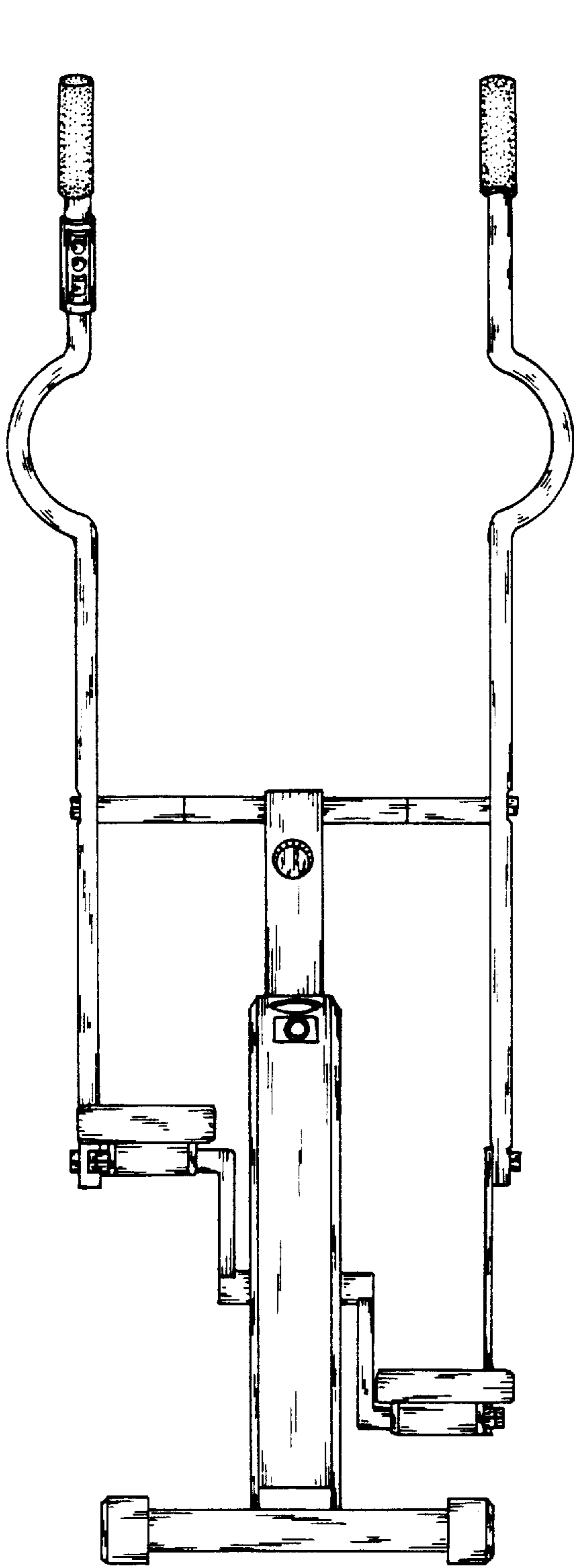


FIG. 5

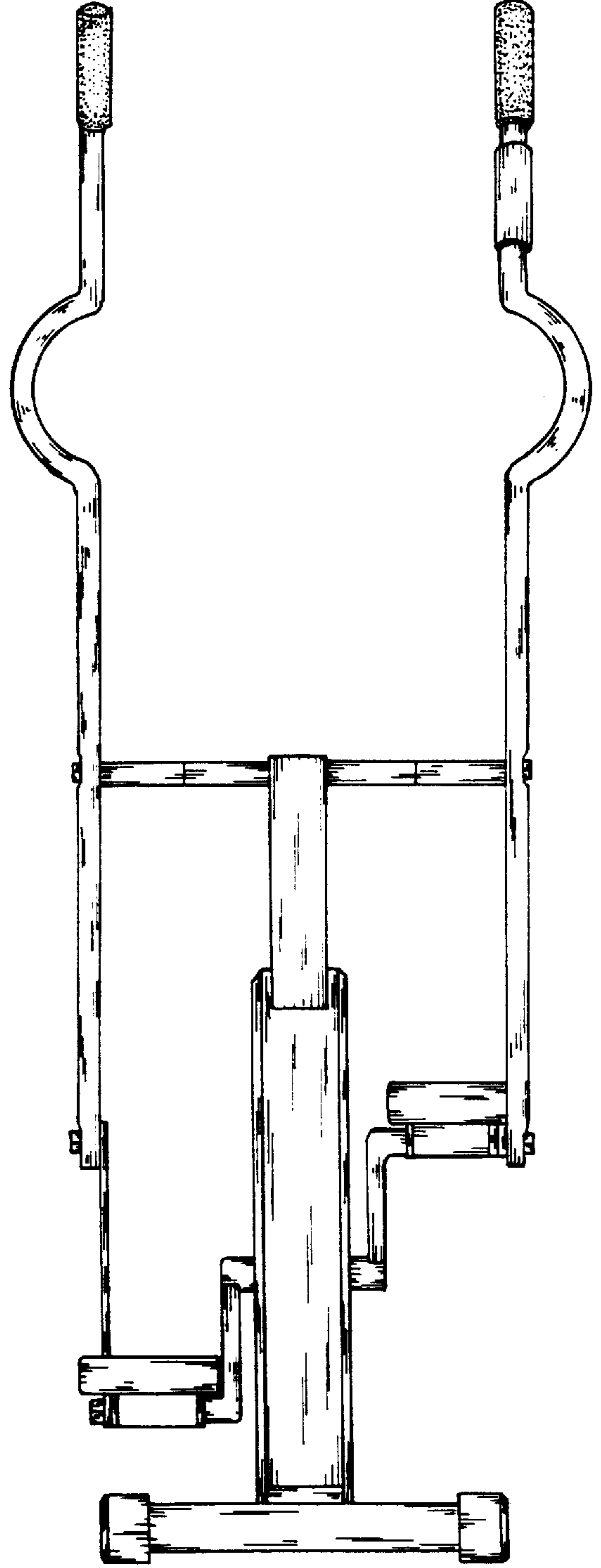


FIG. 4

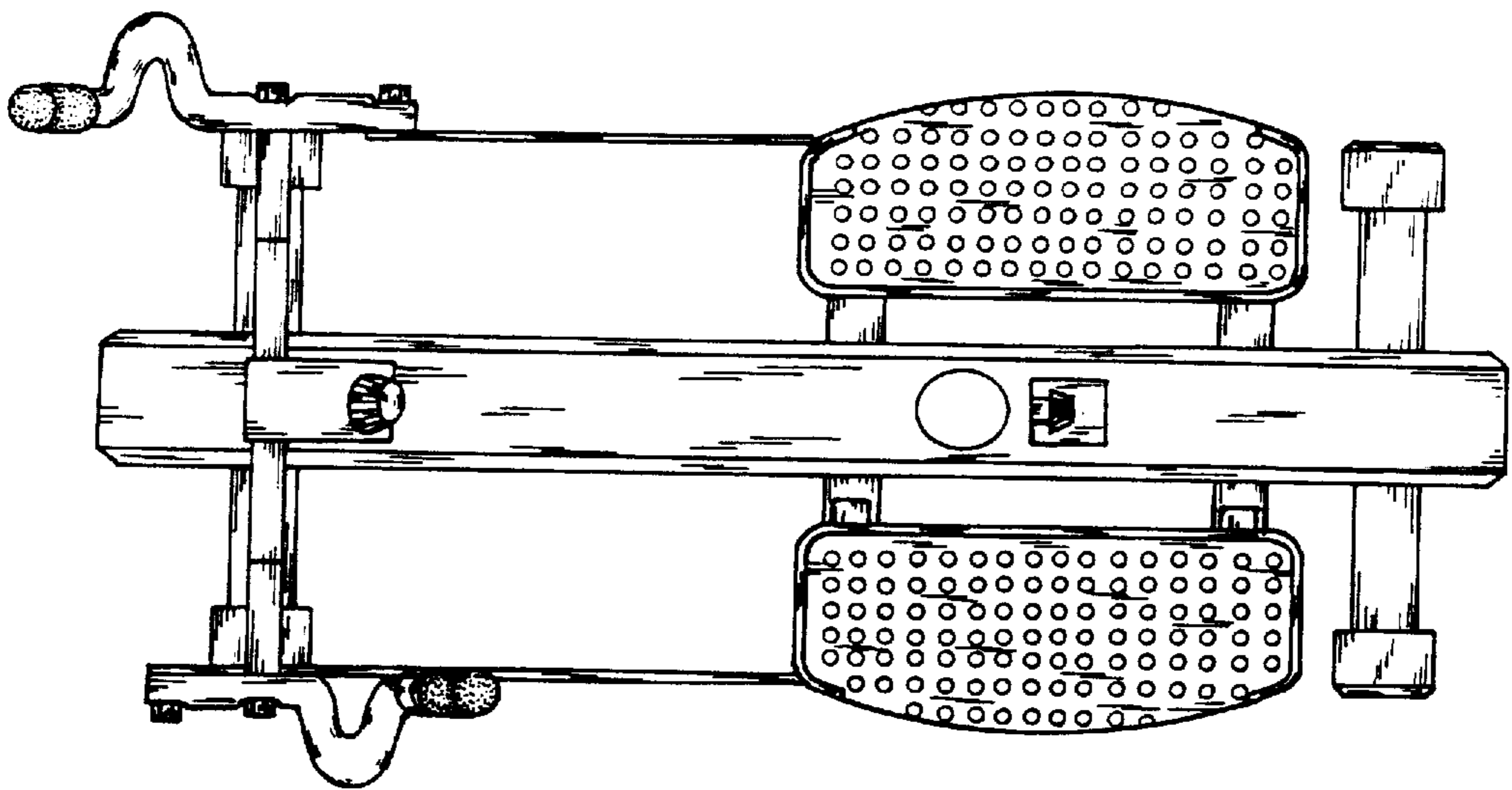


FIG. 6

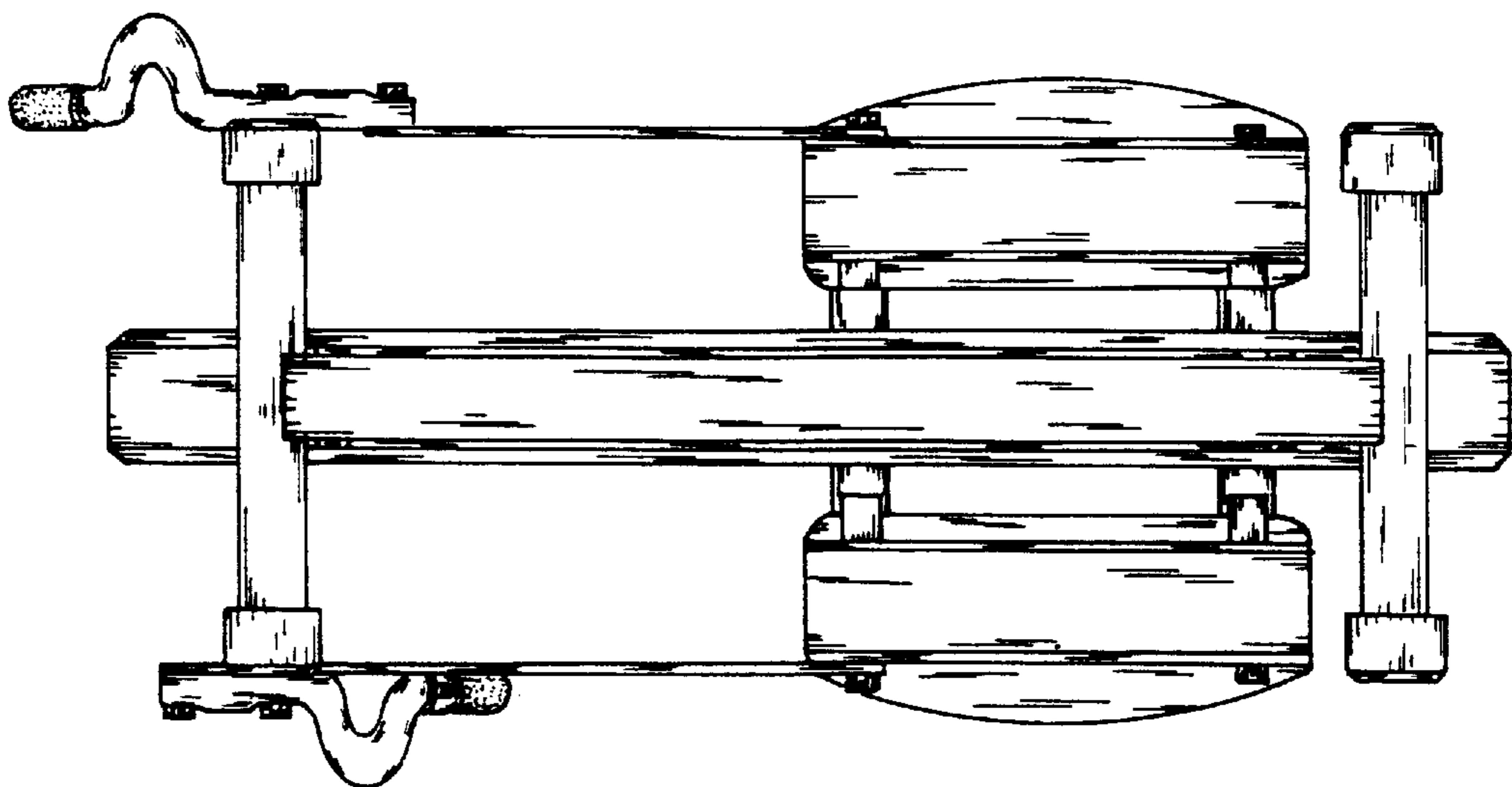


FIG. 7