



US00D406288S

United States Patent [19] Chen

[11] **Patent Number: Des. 406,288**

[45] **Date of Patent: **Mar. 2, 1999**

[54] **STATIONARY BICYCLE**

[76] Inventor: **Chih-Liang Chen**, No. 10, Lane 1431,
Kuanghsing Rd., Pateh City, Taoyuan
Hsien, Taiwan

[**] Term: **14 Years**

[21] Appl. No.: **83,406**

[22] Filed: **Feb. 3, 1998**

[51] **LOC (6) Cl.** **21-02**

[52] **U.S. Cl.** **D21/663**

[58] **Field of Search** D21/662, 663,
D21/664, 666, 667, 668; 482/51, 52, 53,
54, 57, 58

[56] **References Cited**

U.S. PATENT DOCUMENTS

- D. 299,371 1/1989 Tsuyama D21/663
- D. 301,379 5/1989 Capjon D21/663
- D. 309,336 7/1990 Yang D21/663

- D. 344,313 2/1994 Wu D21/663
- D. 344,775 3/1994 Lertyaovarit D21/667
- D. 366,298 1/1996 Wu D21/663

Primary Examiner—Philip S. Hyder
Attorney, Agent, or Firm—Peterson, Wicks, Nemer &
Kamrath, P.A.

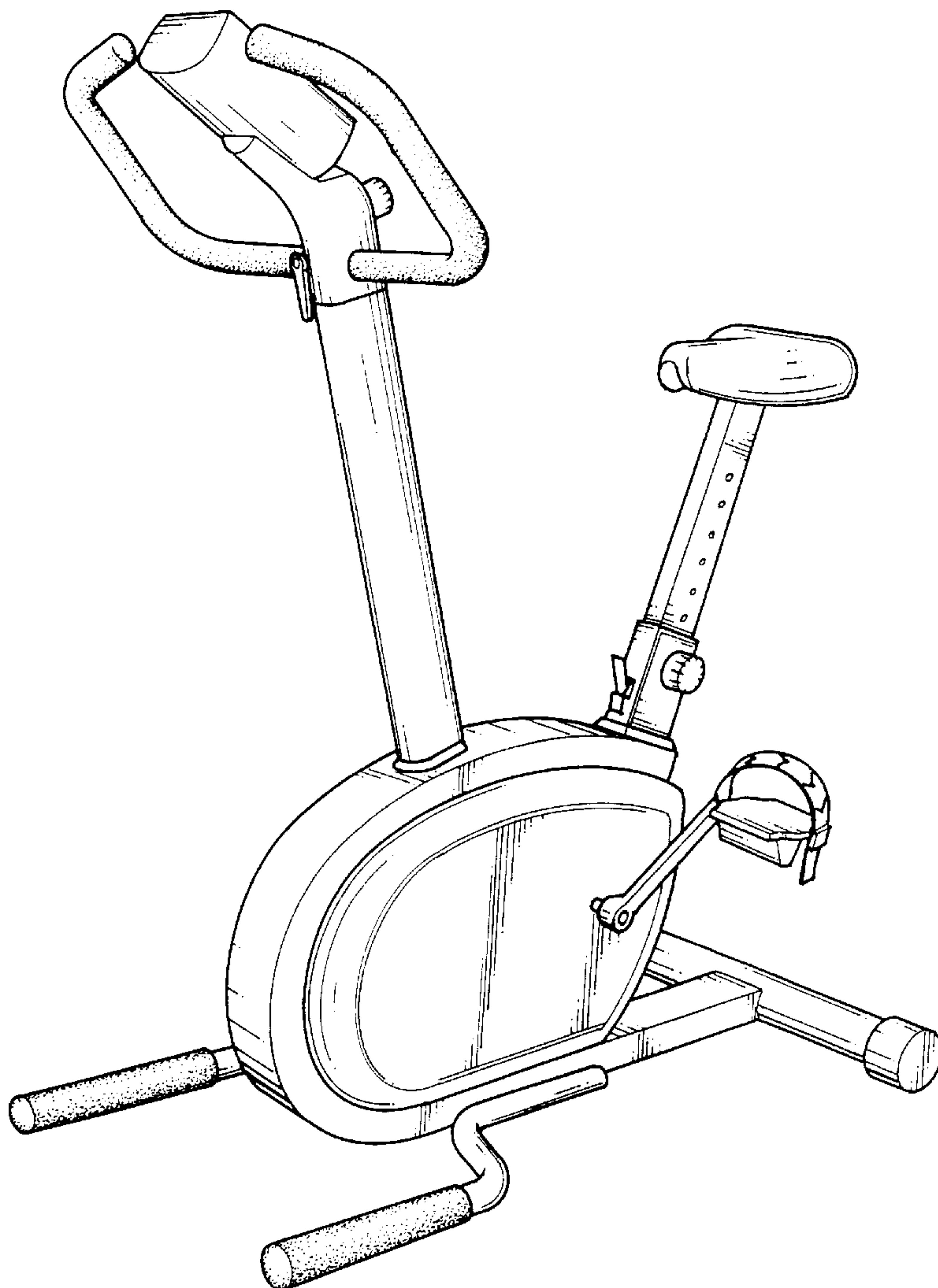
[57] **CLAIM**

The ornamental design for a stationary bicycle, as shown.

DESCRIPTION

FIG. 1 is a perspective view of a stationary bicycle showing my new design;
FIG. 3 is a right side view thereof;
FIG. 3 is a left side view thereof;
FIG. 4 is a front view thereof;
FIG. 5 is a rear view thereof;
FIG. 6 is a top view thereof; and,
FIG. 7 is a bottom view thereof.

1 Claim, 4 Drawing Sheets



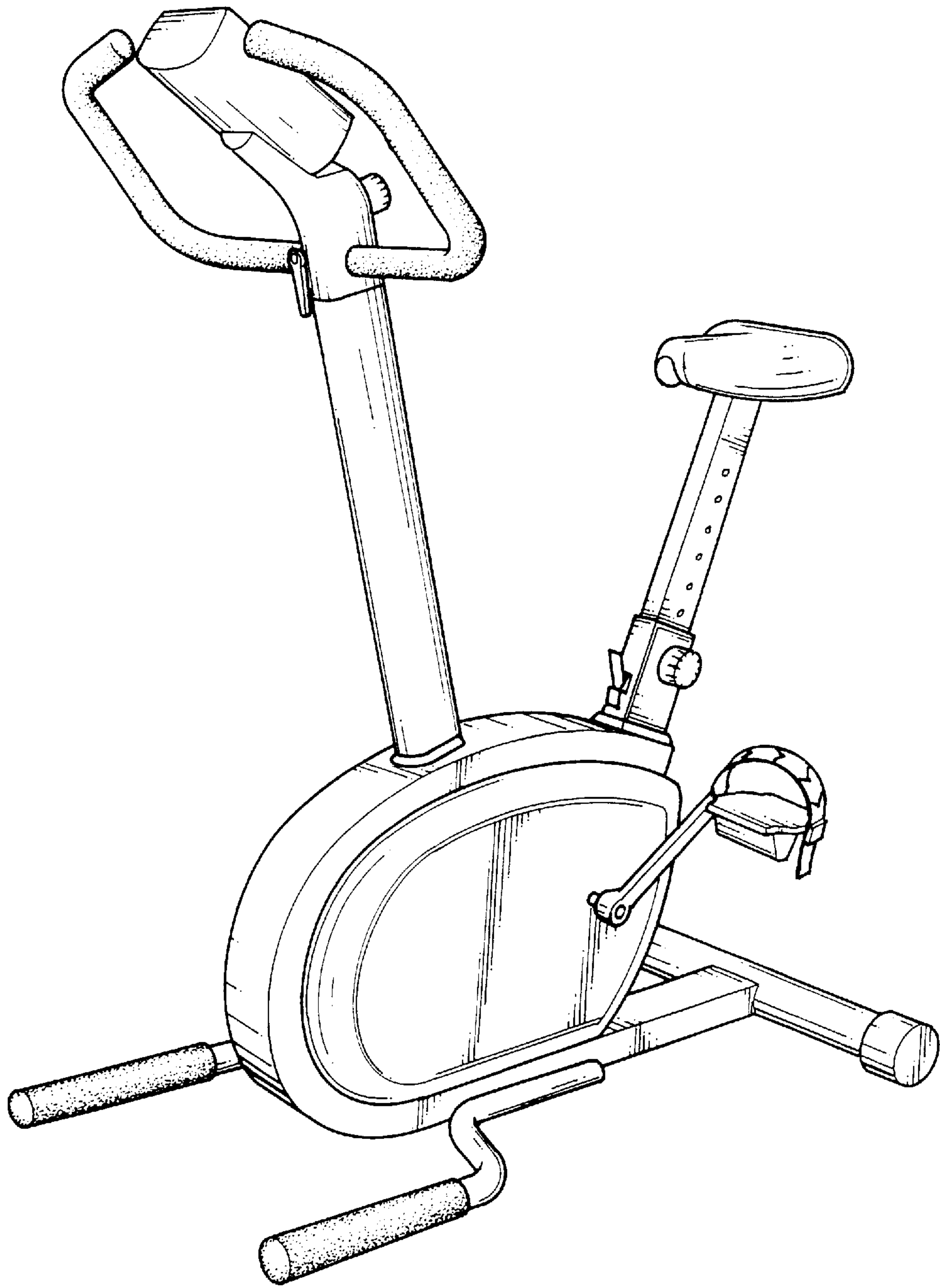


FIG. 1

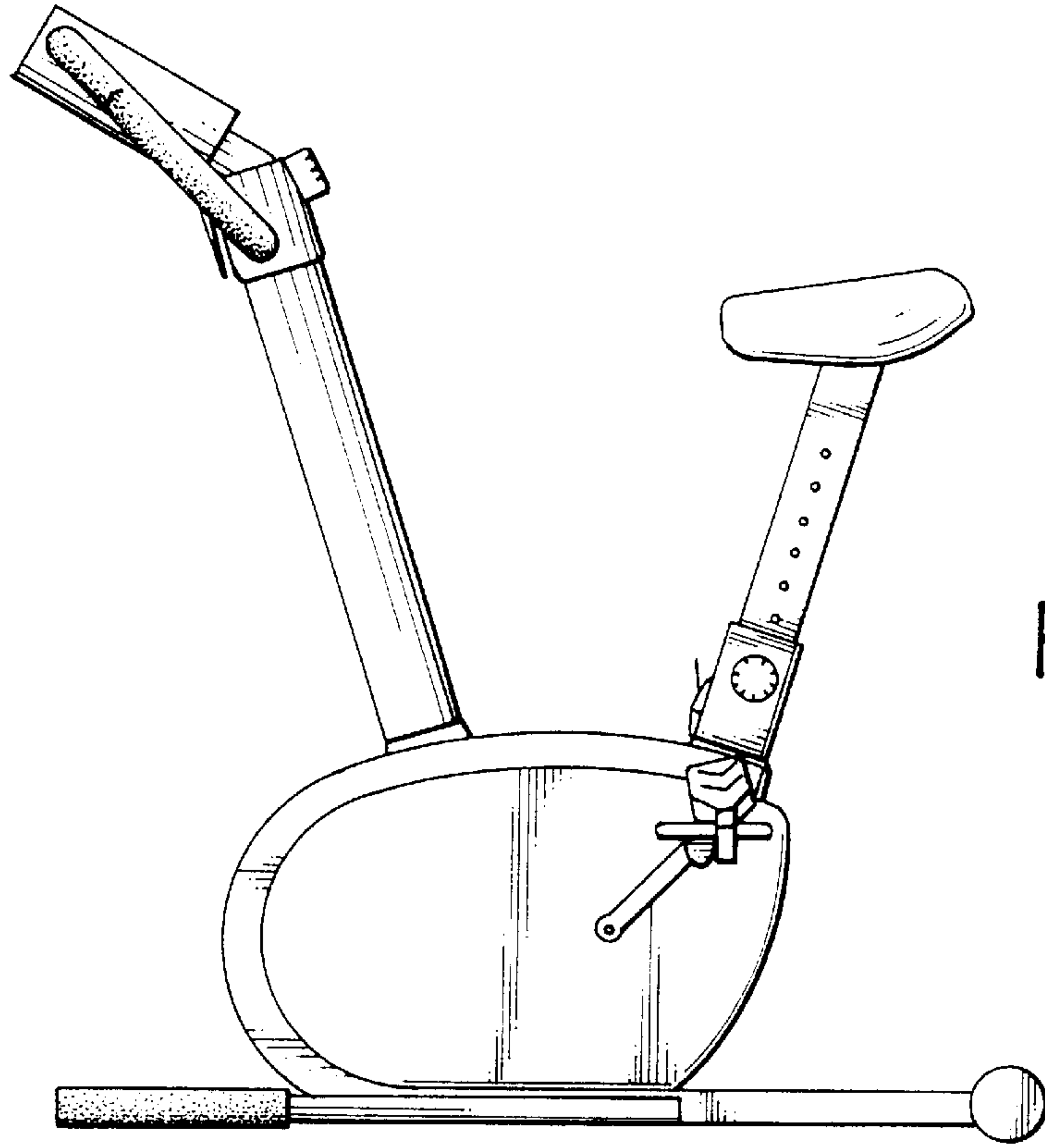


FIG. 2

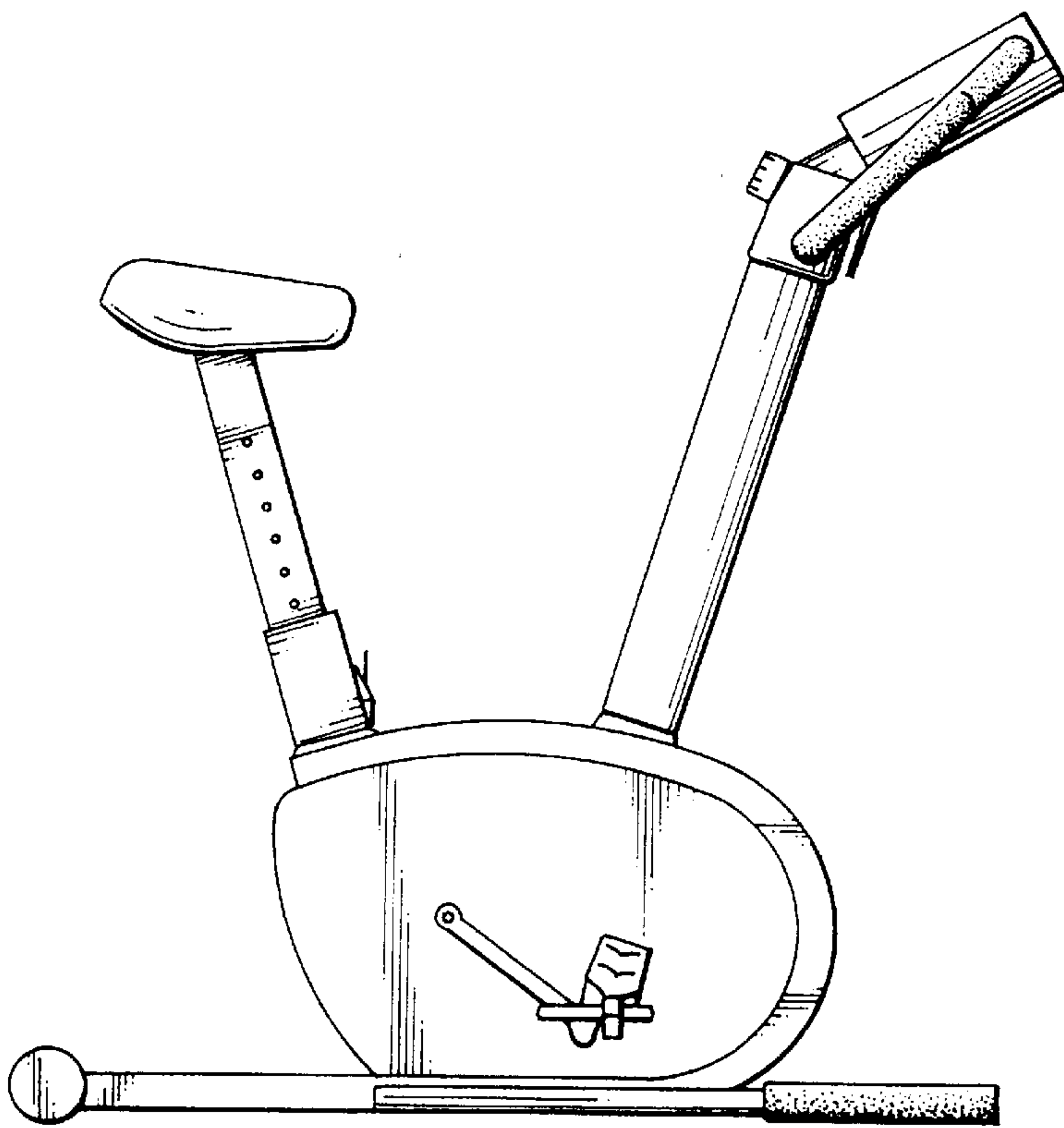


FIG. 3

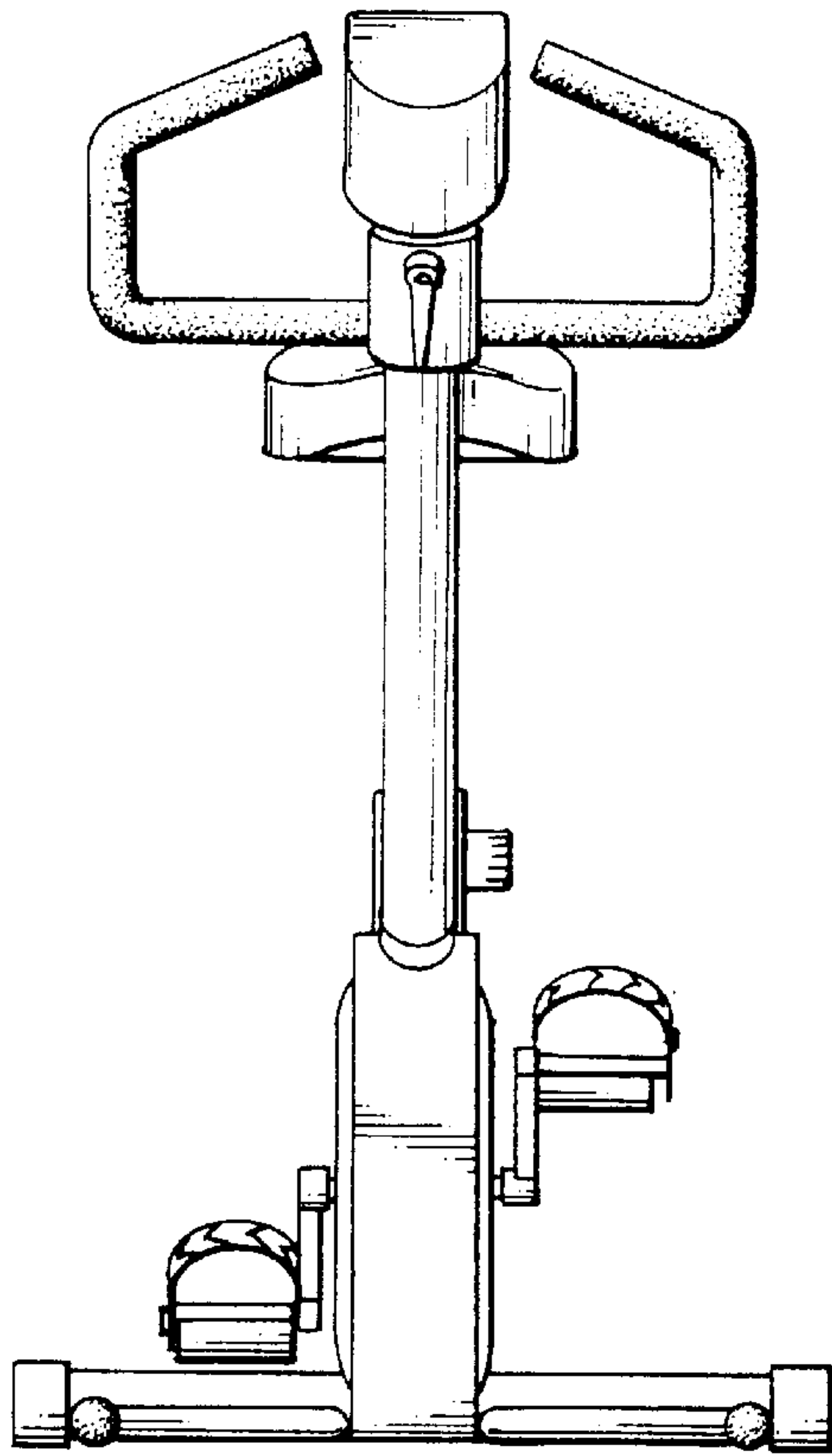


FIG. 4

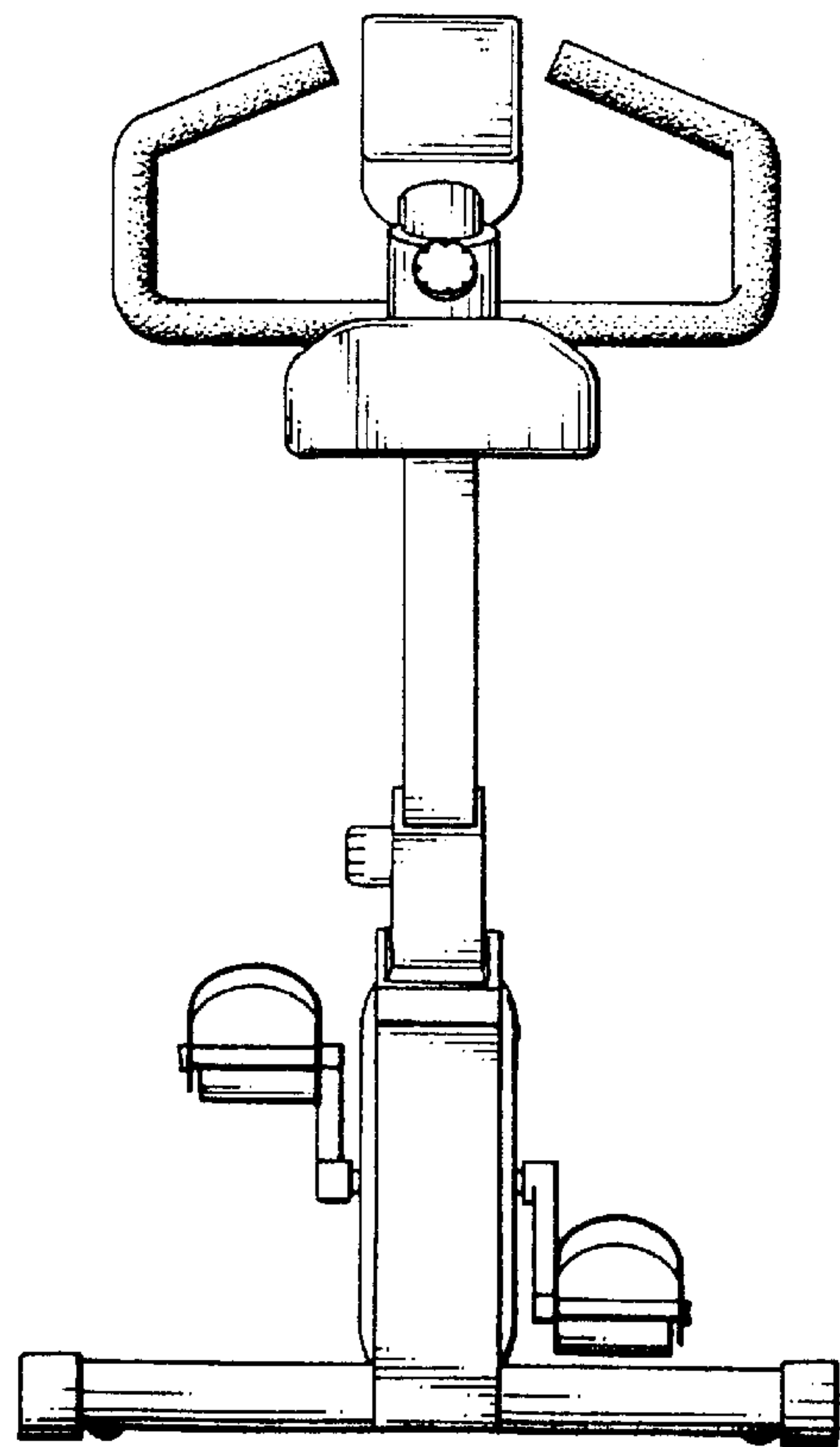


FIG. 5

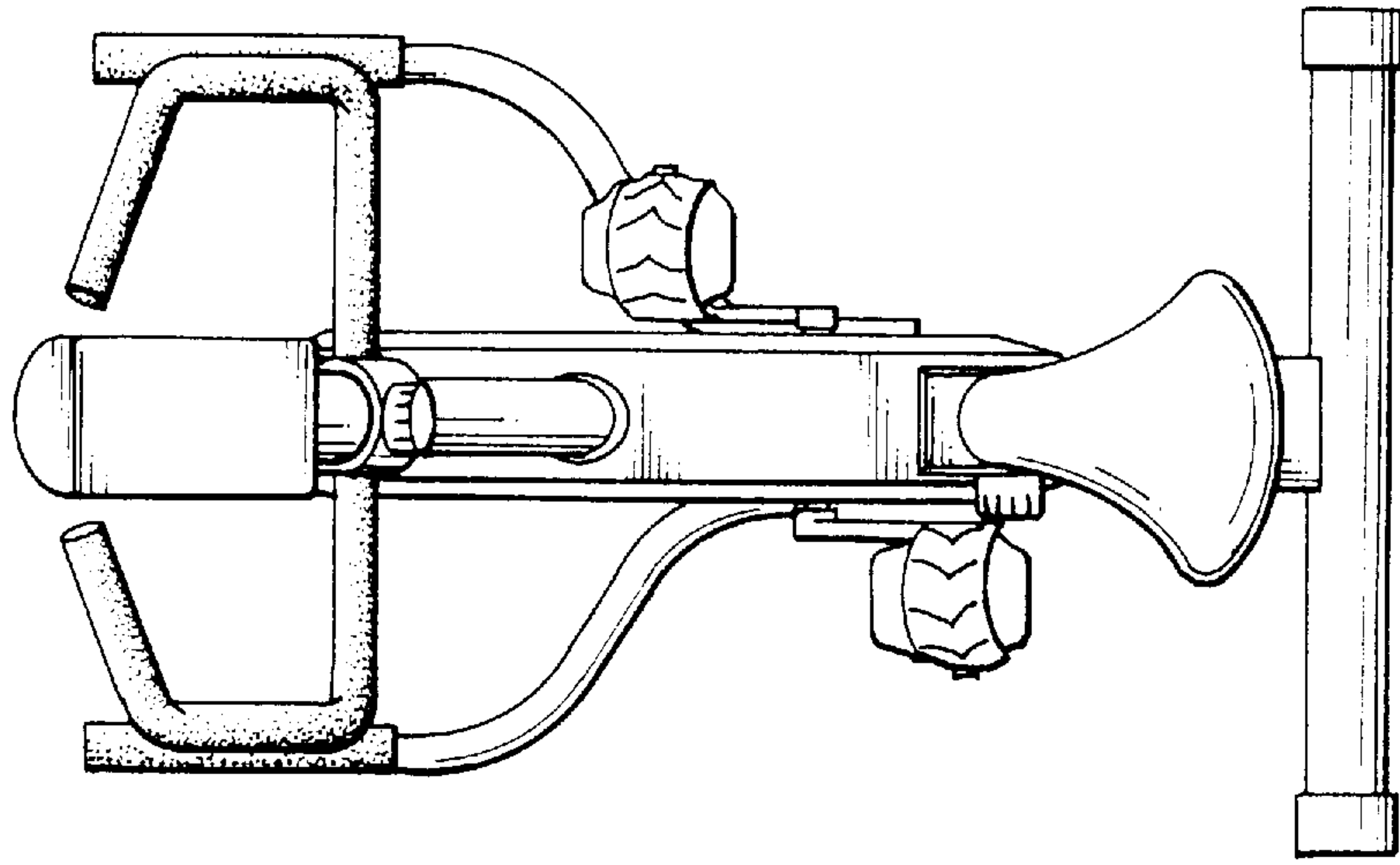


FIG. 6

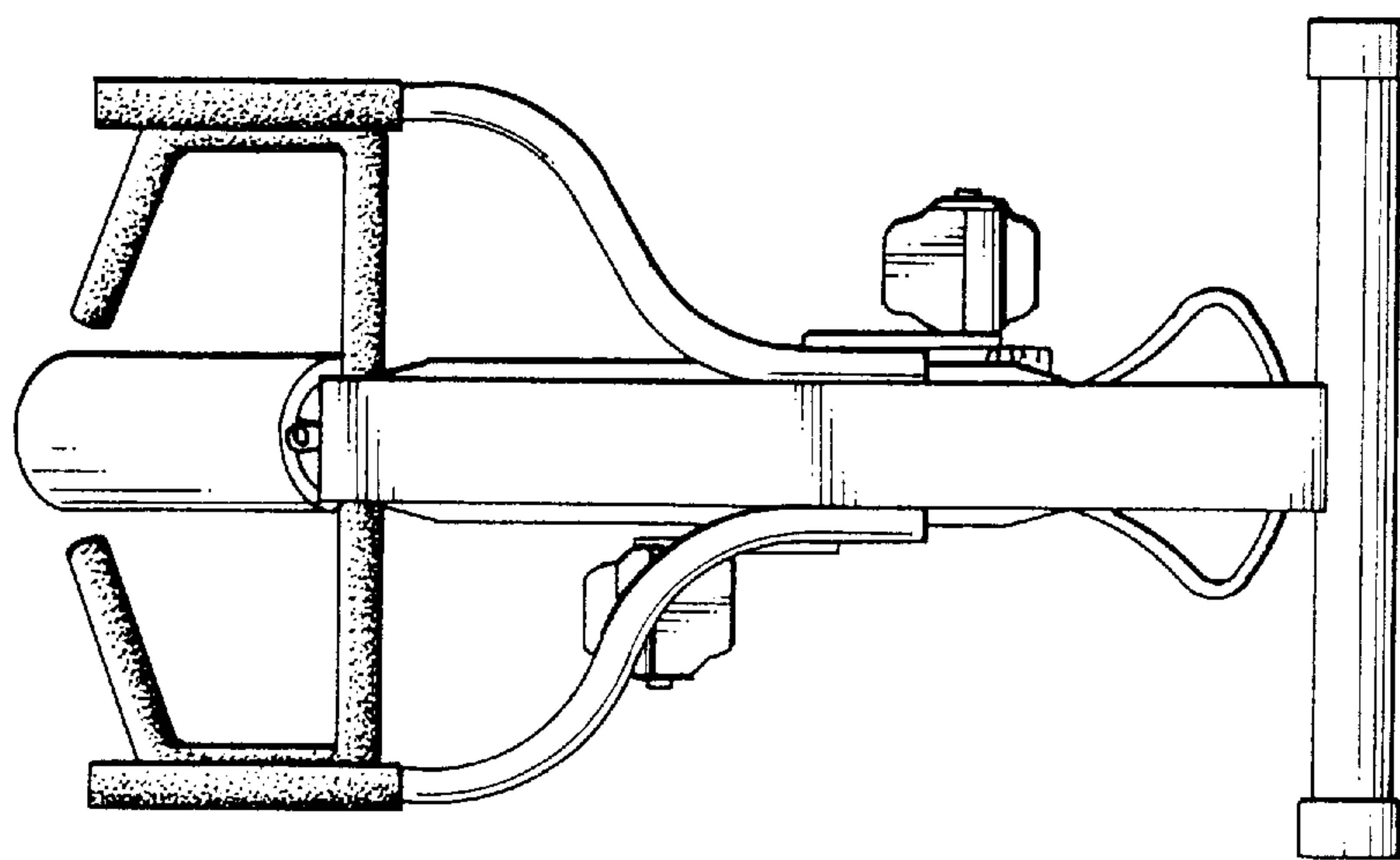


FIG. 7